

# Service Manual

## Washing Machine

### Model:

DWD-F1011/F1012/F1013/F1211/F1212/F1213

DWD-F1021/F1022/F1023/F1221/F1222/F1223

DWD-F1031/F1032/F1033/F1231/F1232/F1233

DWD-F1041/F1042/F1043/F1241/F1242/F1243

DWD-F1051/F1052/F1053/F1251/F1252/F1253

DWD-F1061/F1062/F1063/F1261/F1262/F1263

DWD-F1071/F1072/F1073/F1271/F1272/F1273

NFL-1065/NFL-1265

### ✓ Caution

: In this Manual, some parts can be changed for improving, their performance without notice in the parts list. So, if you need the latest parts information, please refer to PPL(Parts Price List) in Service Information Center (<http://svc.dwe.co.kr>).

**DAEWOO ELECTRONICS CORP.**

<http://svc.dwe.co.kr>

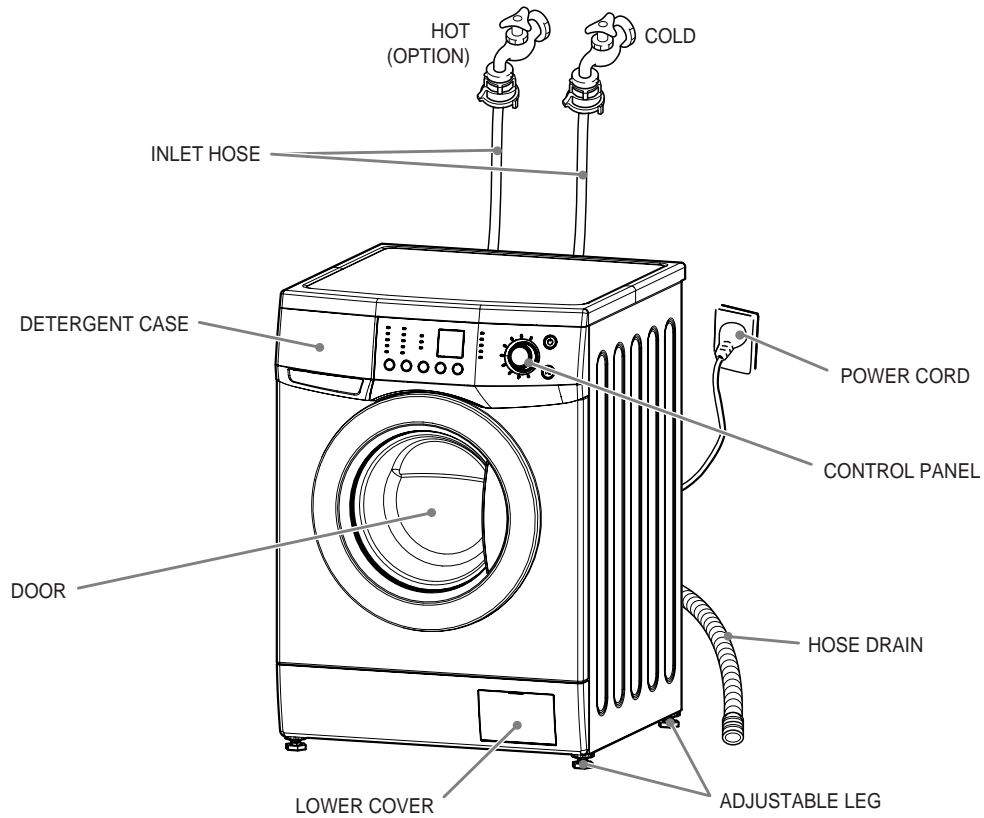
Sep. 2010

# Contents

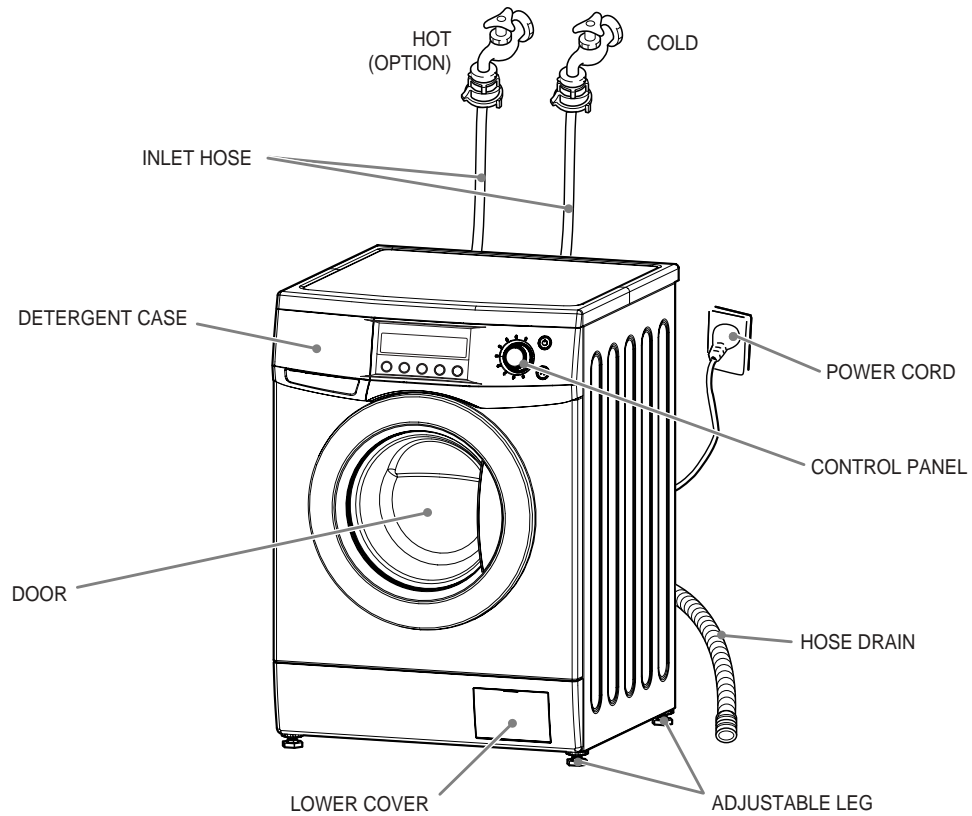
<b>1. SPECIFICATIONS.....</b>	<b>2</b>
<b>2. INSTALLATION .....</b>	<b>8</b>
Removing transit bolts .....	8
Installation place requirement.....	9
BS Plug Safety Details (For U.K. User).....	9
Connecting inlet hose .....	10
Installation of drain hose.....	11
Level adjustment.....	12
<b>3. MAINTENANCE .....</b>	<b>13</b>
Cleaning your washer .....	13
Cold condition .....	13
Cleaning the water inlet filter .....	14
Cleaning the drain pump filter.....	14
Cleaning the detergent case.....	15
Cleaning the washing drum .....	15
<b>4. DIRECTION FOR DISASSEMBLY .....</b>	<b>16</b>
<b>5. EXPLODE VIEW AND PARTS LIST.....</b>	<b>19</b>
<b>6. FUNCTIONS OF THE CONTROL PANEL.....</b>	<b>39</b>
<b>7. FUNCTIONS OF THE CONTROLLER.....</b>	<b>53</b>
<b>8. FUNCTION OF THE CONVENIENT SERVICE.....</b>	<b>56</b>
<b>9. TROUBLESHOOTING GUIDE .....</b>	<b>58</b>
<b>10. WIRING DIAGRAM .....</b>	<b>62</b>

# 1. SPECIFICATIONS

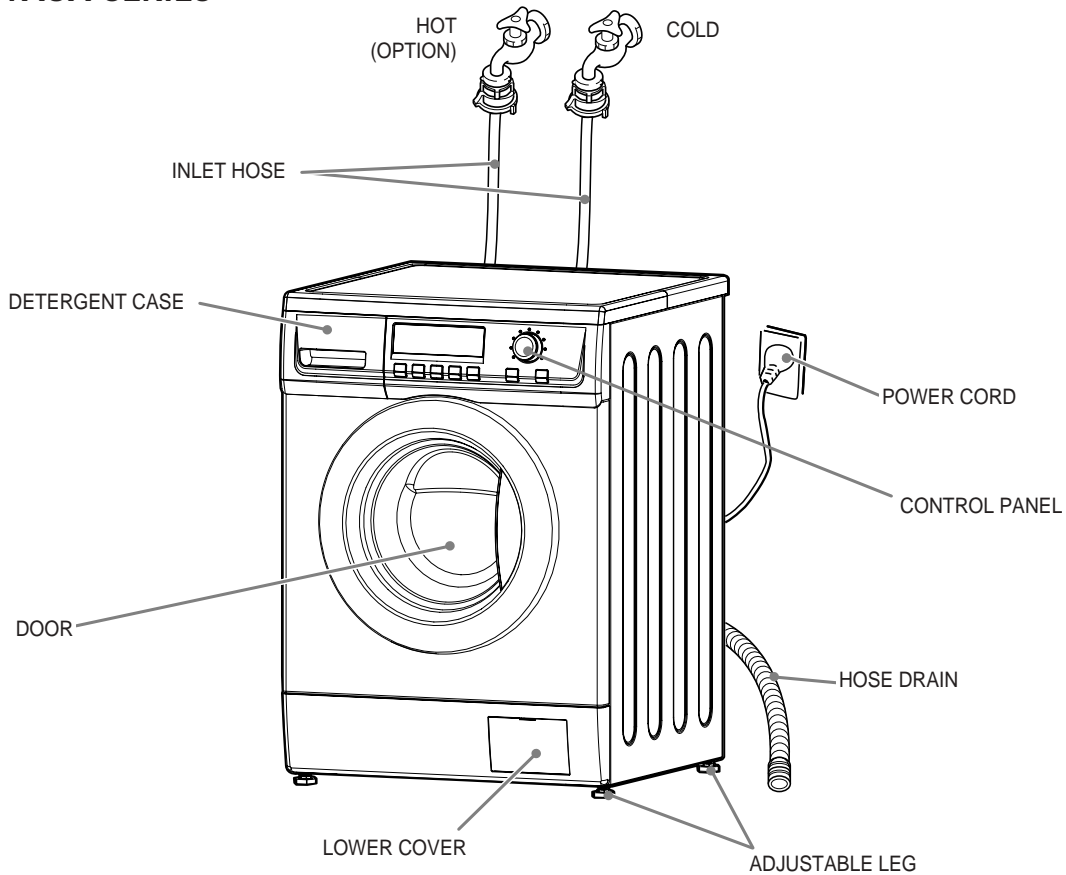
## ■ DWD-F1X1X SERIES



## ■ DWD-F1X2X SERIES



## ■ DWD-F1X3X SERIES

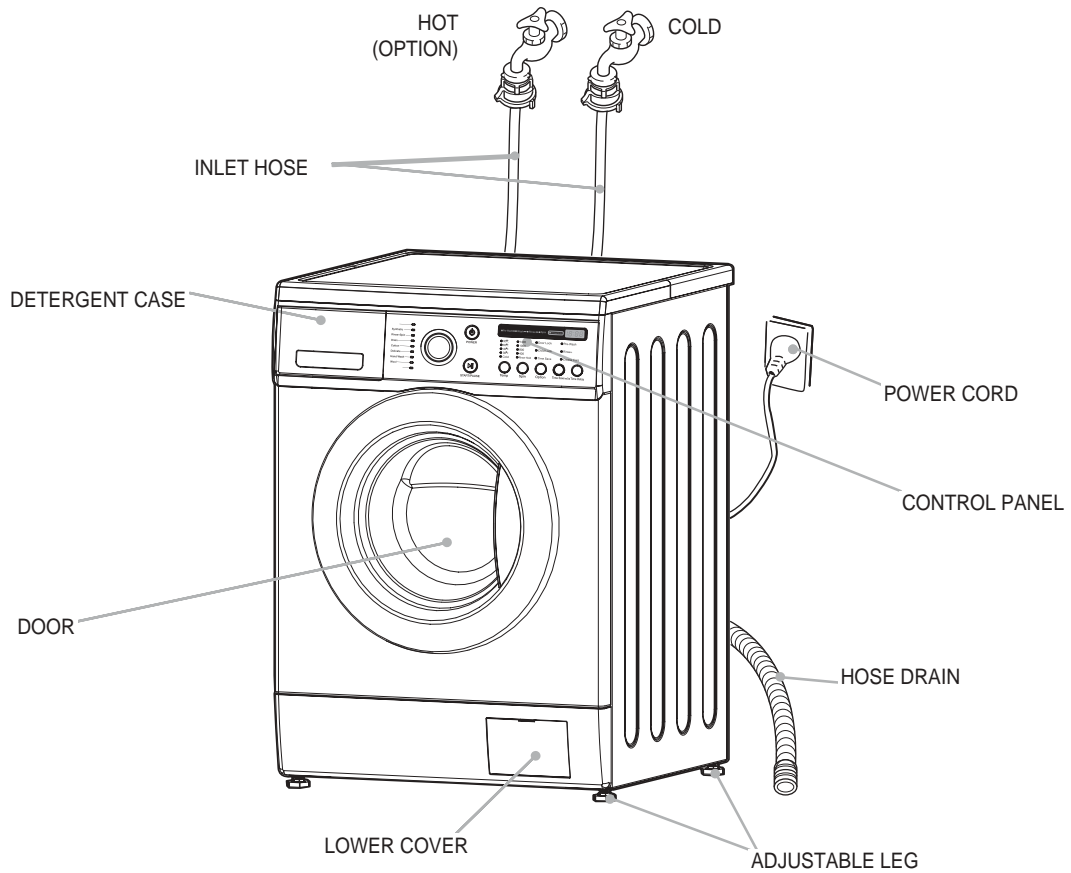


<b>MODEL</b>		<b>DWD-F1011/F1012/F1013/F1211/F1212/F1213 DWD-F1021/F1022/F1023/F1221/F1222/F1223 DWD-F1031/F1032/F1033/F1231/F1232/F1233 NFL-1065/NFL-1265</b>	
POWER SOURCE		220-240V, 50Hz	
DIMENSION (WXDXH)		595mm x 540mm x 850mm	
WEIGHT		64kg	
WATER CONSUMPTION		47~59 ℓ	
POWER CONSUMPTION		2200W	
MAXIMUM MASS OF TEXTILE	WASH	6 / 6.5 / 7 kg	
	SPIN	6 / 6.5 / 7 kg	
WASHER TYPE		DRUM TYPE (FRONT LOADING WASHING MACHINE)	
OPERATING WATER PRESSURE		0.3 ~ 8kgf/cm <sup>2</sup> (29.4 ~ 784kPa)	

## ■ Accessories

Hose drain	Inlet hose	Manual	Cap holder(3EA)

## ■ DWD-F1X4X SERIES

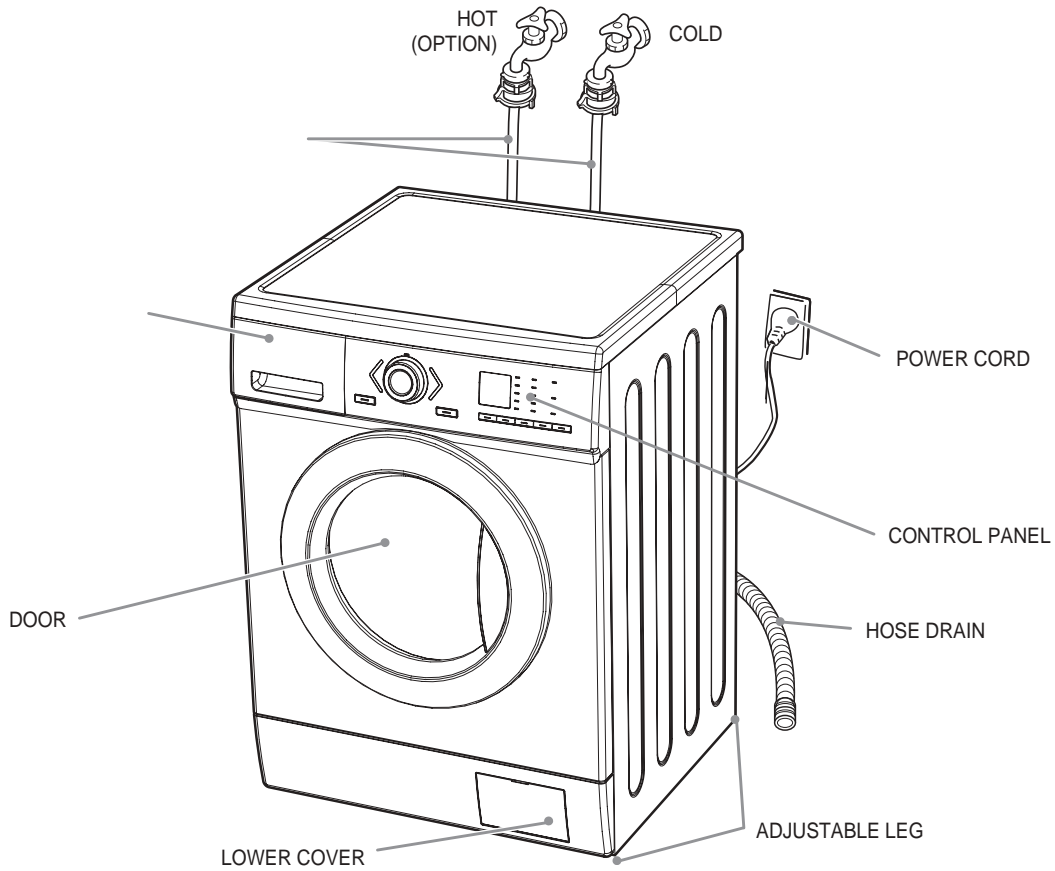


MODEL		DWD-F1041/1042/1043/1241/1242/1243
POWER SOURCE		220-240V, 50/60Hz
DIMENSION (WDXH)		595mm x 540mm x 850mm
WEIGHT		64 kg
WATER CONSUMPTION		47~59 ℓ
POWER CONSUMPTION		2200W
MAXIMUM MASS OF TEXTILE	WASH	6 / 6.5 / 7 kg
	SPIN	6 / 6.5 / 7 kg
WASHER TYPE		DRUM TYPE (FRONT LOADING WASHING MACHINE)
OPERATING WATER PRESSURE		0.3 ~ 8kgf/cm <sup>2</sup> (29.4 ~ 784kPa)

## ■ Accessories

Hose drain	Inlet hose	Manual	Cap holder(3EA)

## ■ DWD-F1X5X SERIES

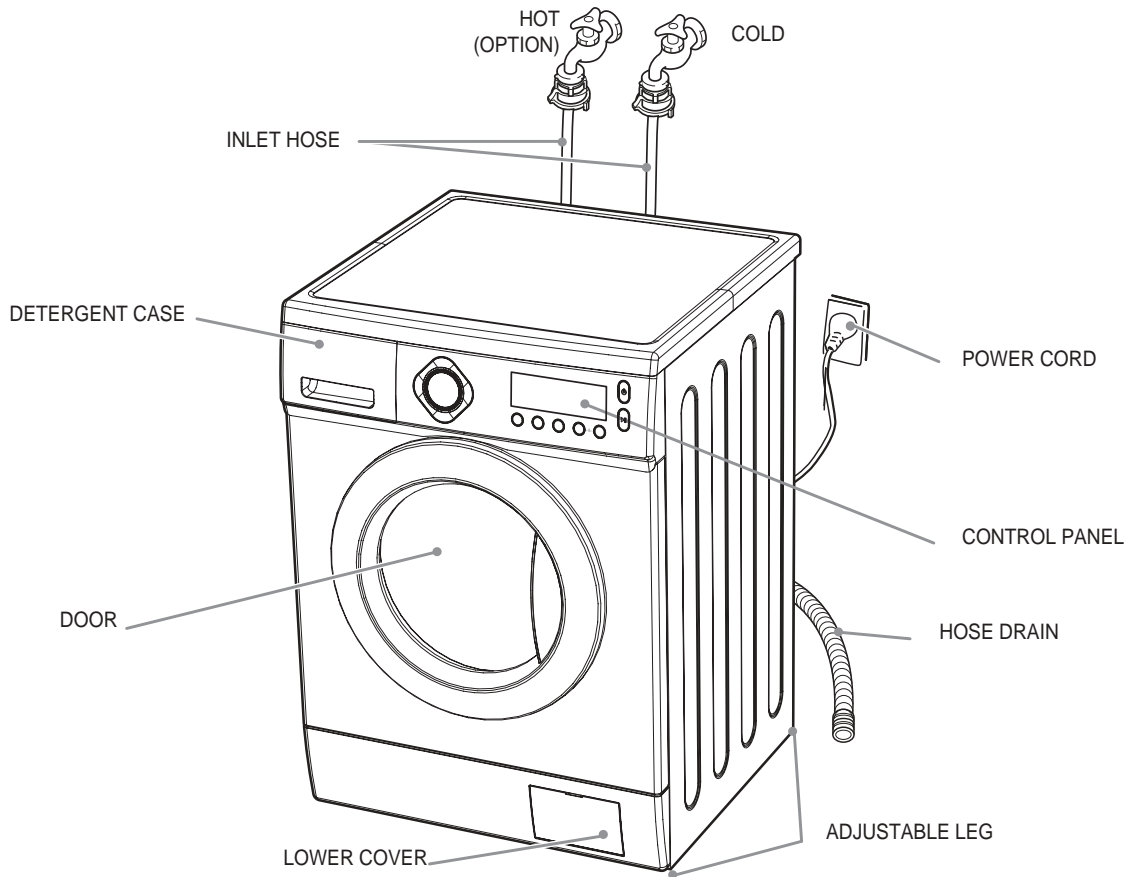


MODEL		DWD-F1051/1052/1053/1251/1252/1253
POWER SOURCE		220-240V, 50/60Hz
DIMENSION (WXDXH)		595mm x 540mm x 850mm
WEIGHT		64 kg
WATER CONSUMPTION		47~59 ℓ
POWER CONSUMPTION		2200W
MAXIMUM MASS OF TEXTILE	WASH	6 / 6.5 / 7 kg
	SPIN	6 / 6.5 / 7 kg
WASHER TYPE		DRUM TYPE (FRONT LOADING WASHING MACHINE)
OPERATING WATER PRESSURE		0.3 ~ 8kgf/cm <sup>2</sup> (29.4 ~ 784kPa)

## ■ Accessories

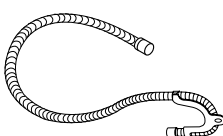
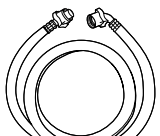


Hose drain	Inlet hose	Manual	Cap holder(3EA)

## ■ DWD-F1X6X SERIES

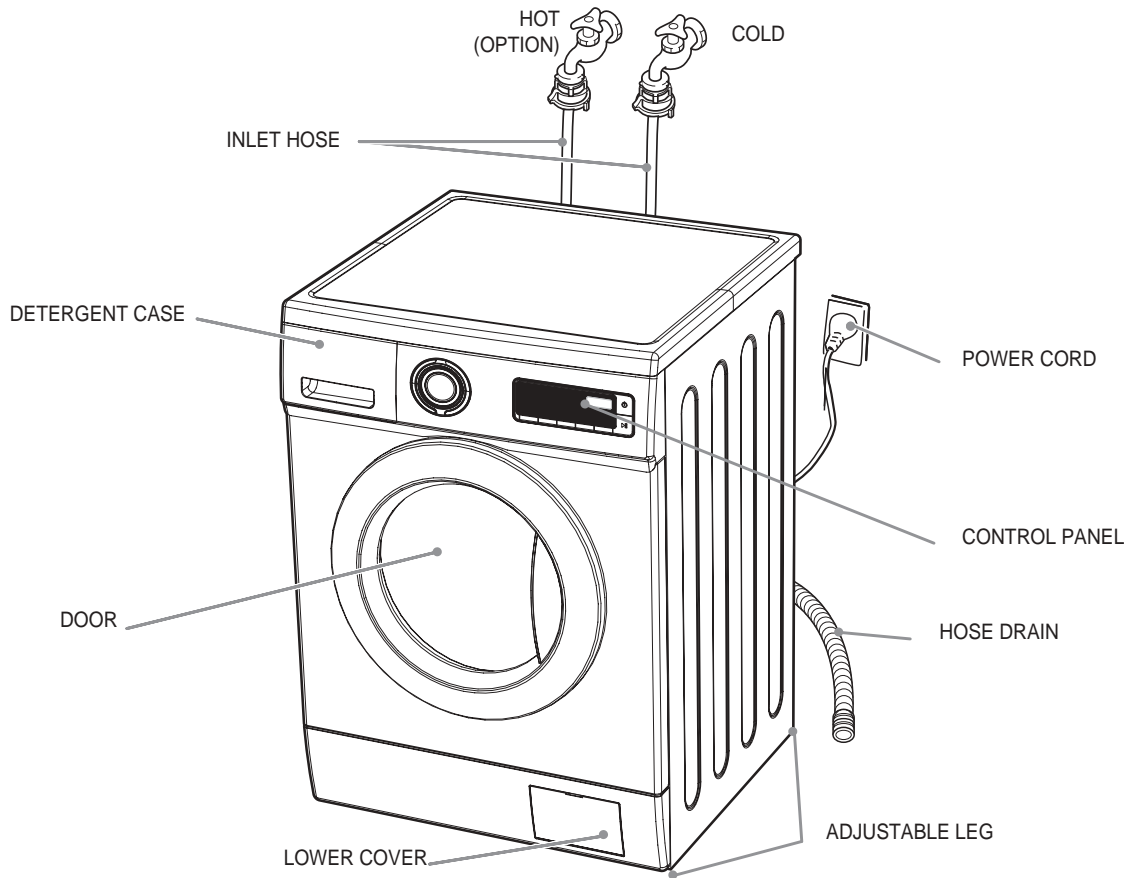


MODEL		DWD-F1061/1062/1063/1261/1262/1263
POWER SOURCE		220-240V, 50/60Hz
DIMENSION (WXDXH)		595mm x 540mm x 850mm
WEIGHT		64 kg
WATER CONSUMPTION		47-59 ℓ
POWER CONSUMPTION		2200W
MAXIMUM MASS OF TEXTILE	WASH	6 / 6.5 / 7 kg
	SPIN	6 / 6.5 / 7 kg
WASHER TYPE		DRUM TYPE (FRONT LOADING WASHING MACHINE)
OPERATING WATER PRESSURE		0.3 ~ 8kgf/cm <sup>2</sup> (29.4 ~ 784kPa)

## ■ Accessories

Hose drain	Inlet hose	Manual	Cap holder(3EA)
			

## ■ DWD-F1X7X SERIES



MODEL		DWD-F1071/1072/1073/1271/1272/1273
POWER SOURCE		220-240V, 50/60Hz
DIMENSION (WXDXH)		595mm x 540mm x 850mm
WEIGHT		64 kg
WATER CONSUMPTION		47~59 ℓ
POWER CONSUMPTION		2200W
MAXIMUM MASS OF TEXTILE	WASH	6 / 6.5 / 7 / 8 kg
	SPIN	6 / 6.5 / 7 / 8 kg
WASHER TYPE		DRUM TYPE (FRONT LOADING WASHING MACHINE)
OPERATING WATER PRESSURE		0.3 ~ 8kgf/cm <sup>2</sup> (29.4 ~ 784kPa)

## ■ Accessories

Hose drain	Inlet hose	Manual	Cap holder(3EA)



## 2. INSTALLATION

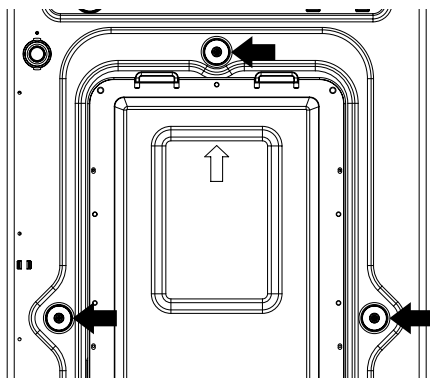
### ■ Transit bolts

The appliance is fitted with transit bolts to prevent internal damage during transport.

### ■ Removing transit bolts

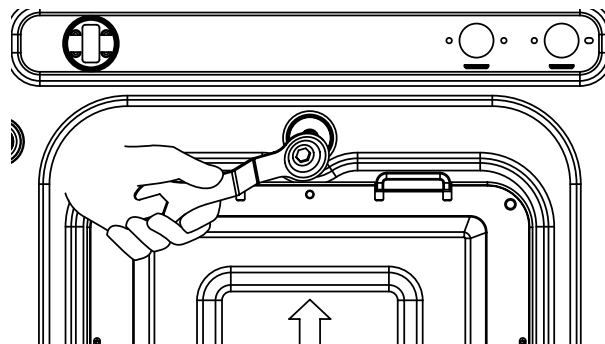
1. To prevent internal damage during transport, the special 3 bolts are locked. Before operating the washer, remove the bolts along with the rubber bungs.

- If they are not removed, it may cause heavy vibration, noise and malfunction.

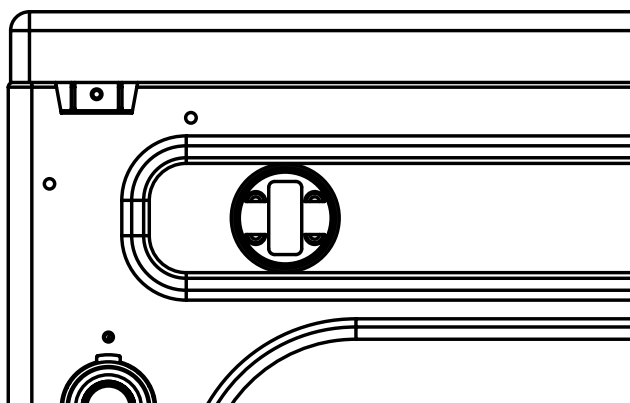


2. Unscrew the 3 bolts with the spanner supplied, and take out the 3 bolts with the rubber bungs. Keep the 3 bolts and the spanner for future use.

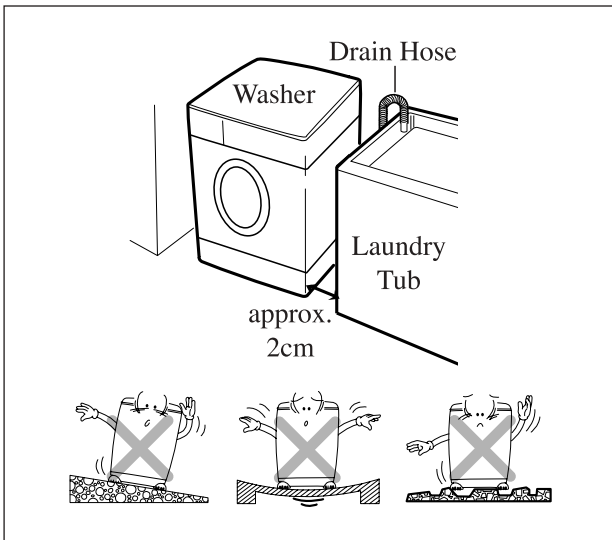
- Whenever the appliance is transported, the transit bolts must be refitted.



3. Close the holes with the caps supplied.



## ■ Installation place requirement



### Level floor :

Allowable slope under entire washer is 1°.

### Power outlet :

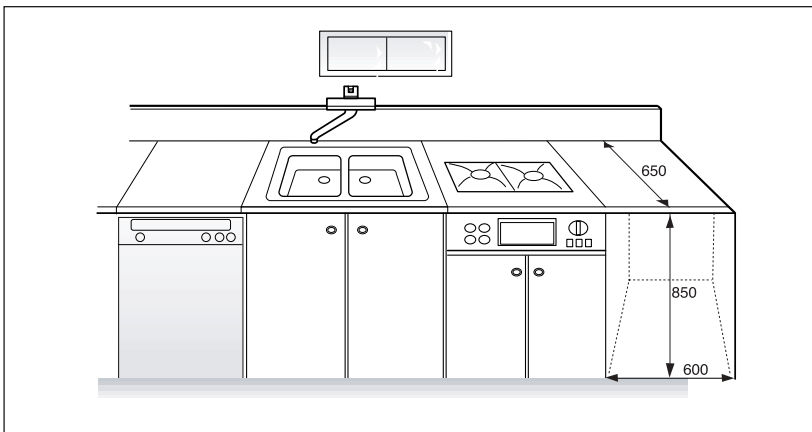
Must be with 1.5 meters of entire side of location of washer. Do not overload the outlet with more than one appliance.

### Additional Clearance :

For wall, door and floor modeling is required. (10cm : rear / 2cm : right & left side)

Do not place or store laundry products on top of washer at any times.

They can damage the finish or controls.



## ■ BS Plug Safety Details (For U.K. User)

### IMPORTANT

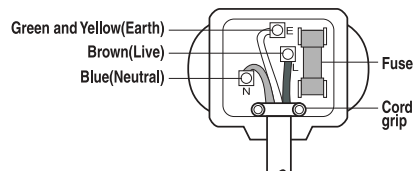
THE WIRES IN THIS MAINS LEAD ARE COLOURED IN ACCORDANCE WITH THE FOLLOWING CODE:

**GREEN AND YELLOW : EARTH**

**BLUE : NEUTRAL**

**BROWN : LIVE**

This appliance must be earthed



As the colours of the wires in the mains lead of this apparatus may not correspond with the coloured markings identifying the terminals in your plug, proceed as follows:

The wire which is coloured Green and Yellow must be connected to the terminal in the plug which is marked with the letter E or by the earth symbol  $\oplus$  or coloured Green or Green and Yellow.

The wire which is coloured Blue must be connected to the terminal which is marked with the letter N or coloured Black.

The wire which is coloured Brown must be connected to the terminal which is marked with the letter L or coloured Red.

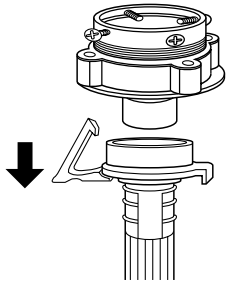
If a 13 amp (BS 1363) plug is used, fit a 13amp BS 1362 fuse.

## ■ Connecting inlet hose

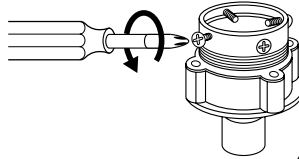
In using only one water tap or in case of only one water inlet valve, connect the inlet hose to the cold water inlet valve.  
Option : Be careful not to confuse hot water inlet and cold water inlet.

### •••• FOR ORDINARY TAP

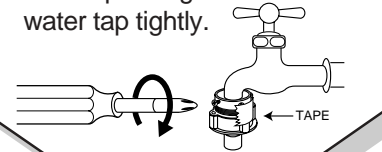
- ① Pull down the collar of the inlet hose to separate it from the water tap adapter.



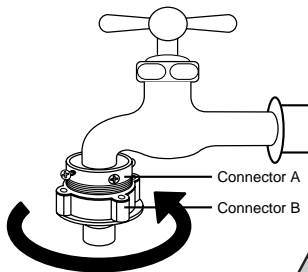
- ② Loosen the four screws properly in order to fit into water tap.



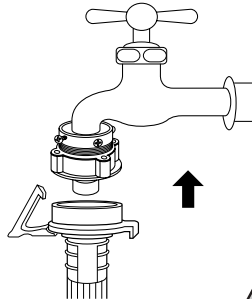
- ③ Fit the water tap adapter into the water tap and tighten the four screws evenly while pushing up the adapter so that the rubber packing can stick to the water tap tightly.



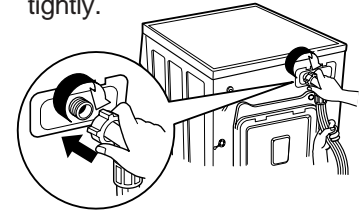
- ④ Remove the tape, and screw connector B into connector A tightly.



- ⑤ Connect the inlet hose to the water tap adapter by pulling down the collar of the hose end.



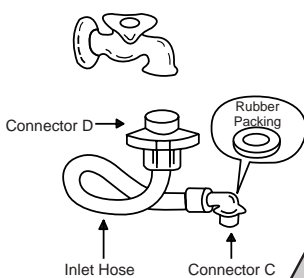
- ⑥ Connect the inlet hose adapter of the hose to the water inlet of the washer by turning it clockwise to be fixed tightly.



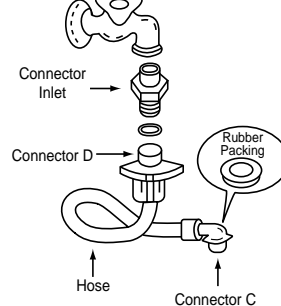
- Please check the rubber packing present inside the inlet hose adapter of the hose.

### •••• FOR SCREW-SHAPED TAP

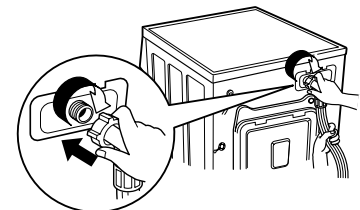
- ① Connect the inlet hose to the water tap adapter by pulling down the collar of the hose end.



- ② Connect the connector-inlet supplied if necessary.

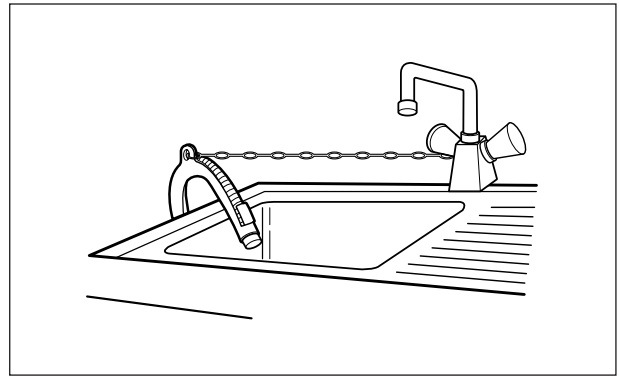
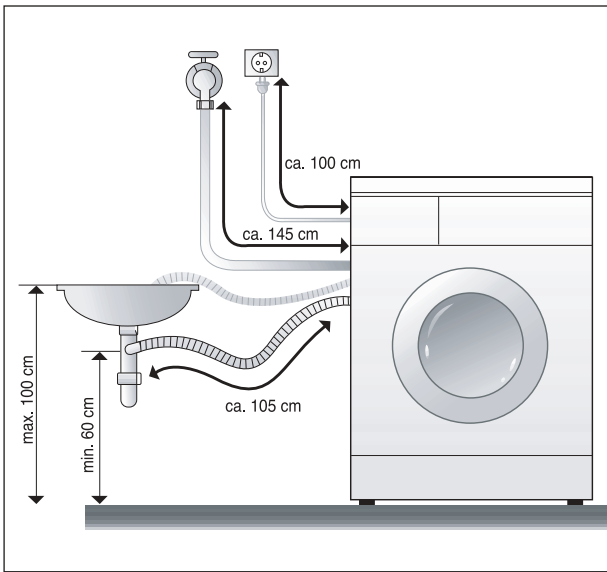


- ③ Connect the inlet hose adapter to the water inlet of the washer and turn it to be fixed.

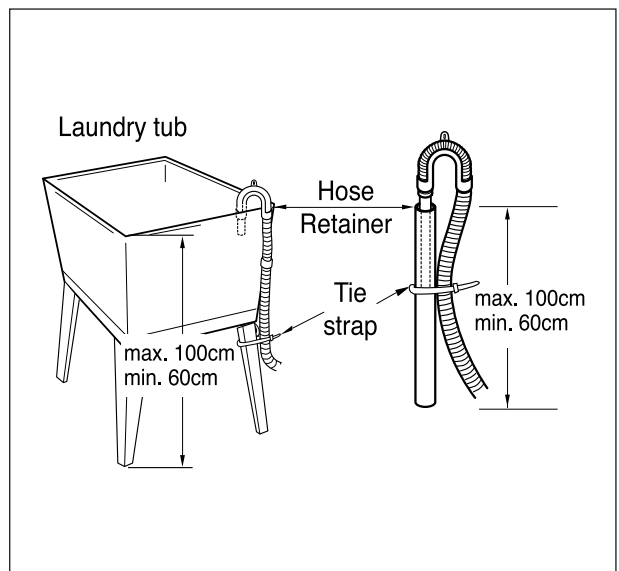
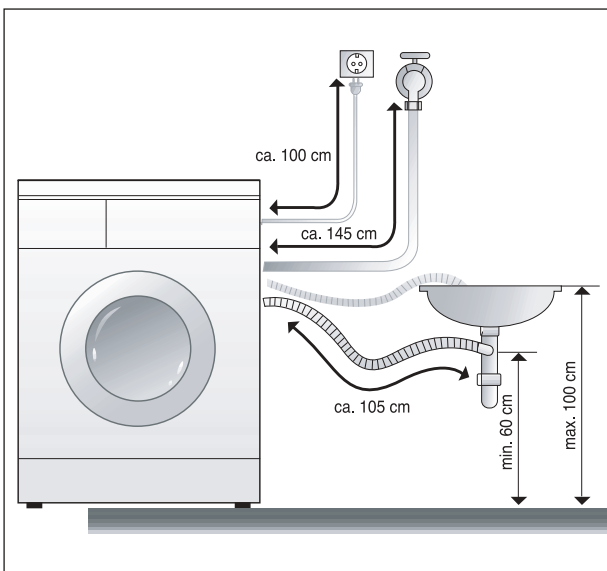


- Check the packing in the inlet.

## ■ Installation of drain hose



- When installing the drain hose in sink, secure it tightly with a string.
- Proper securing of the drain hose will **protect the floor from damage due to water leakage.**



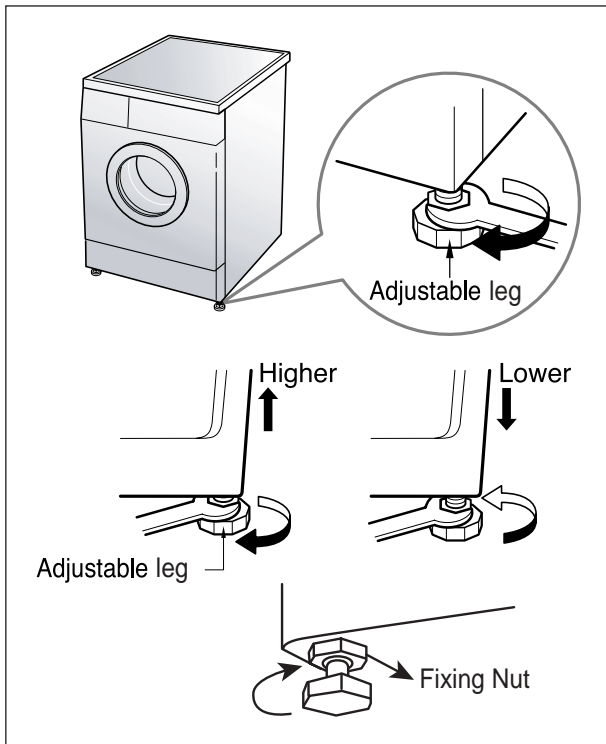
- The drain hose should not be placed **higher than 100cm above the floor.**
- Proper securing of the drain hose will **protect the floor from damage due to water leakage.**
- When the drain hose is too long, do **not force back in to the washer. This will cause abnormal noise.**

## ■ Level adjustment

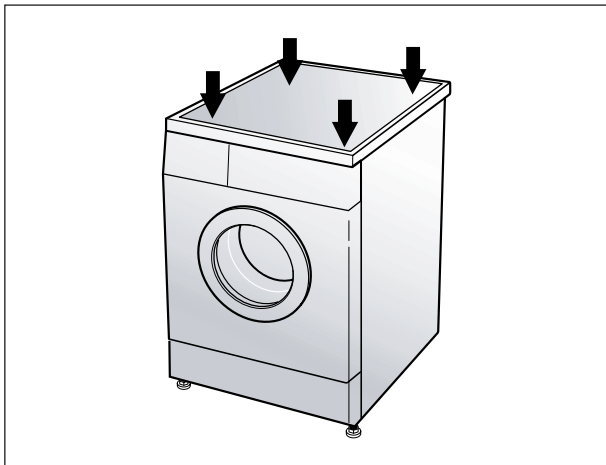


1. The level adjustment of the washing machine prevents excessive noise and vibration. Install the washing machine on a solid and even floor surface, if possible, in a corner of the room.

**Note:** The wooden floor may cause excessive vibration.



2. If the floor is uneven, adjust the adjustable leg as the following.  
(Do not insert pieces of wood etc. under legs.)
  - Please check whether there is any gap between four adjustable legs and the floor.
  - Turn adjustable legs by the enclosed spanner in order to adjust the level of the washing machine.
  - Make it sure that there is no swaying of the washing machine and check that the washing machine is even completely. (use a spirit level)
  - After the level adjustment is finished, turn fixing nuts up tightly so that the washing machine maintains the adjustment.



- ※ Diagonal Check  
When pushing down the edges of the washing machine top plate diagonally, the machine should not move up and down at all.  
(Please, check both of two directions)  
If machine rocks when pushing the machine top plate diagonally, adjust legs again.

✿ Before cleaning the washer interior, unplug the electrical power cord avoid electrical shock hazards.

### ■ Cleaning your washer

#### 1. Exterior

Proper care of your washer can extend its life.

The outside of the machine can be cleaned with warm water and a neutral non abrasive household detergent.

Immediately wipe off any spills. Wipe with damp cloth.

Try not to hit surface with sharp objects.

- Do not use methylated spirits, diluents or similar products.

#### 2. Interior

Dry around the washer door opening, flexible gasket and door glass.

Run washer through a complete cycle using hot water.

Repeat process if necessary.

- Remove hard water deposits using only cleaners labeled as washer safe.

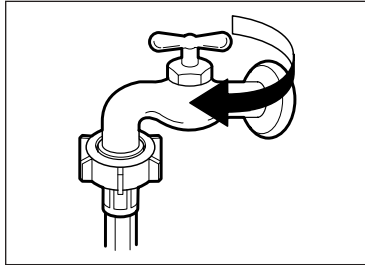
### ■ Cold condition

If the washer is stored in an area where freezing may occur or moved in freezing temperature, follow these instructions to prevent damage to the washer.

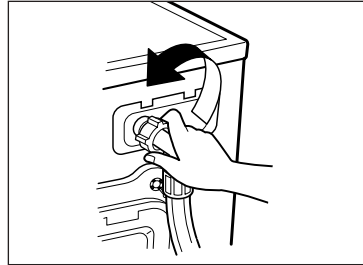
1. Turn off water supply tap.
2. Disconnect hoses from water supply and drain water from hoses.
3. Plug electrical cord into a properly grounded electrical outlet.
4. Add 1 gallon(3.8L) of nontoxic recreational vehicle(RV) antifreeze into empty wash drum.  
Close the door.
5. Set spin cycle and let washer spin for 1 minute to drain out all water.
6. Unplug electrical power cord, dry the drum interior, and close the door.
7. Remove detergent case and dry excessive water from the compartments.
8. Store washer in an upright position.
9. To remove antifreeze from washer after storage, run empty washer through a complete cycle using detergent.  
Do not add wash load.

## ■ Cleaning the water inlet filter

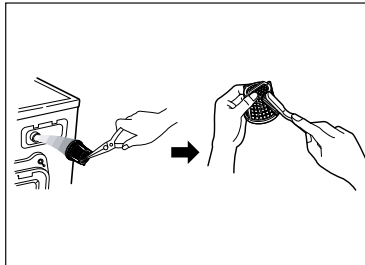
- "IE" error message will blink on the control panel when water does not enter the detergent drawer.
- If your water is very hard or contains traces of lime deposit, the water inlet filter may become clogged.
- It is therefore a good idea to clean it from time to time.



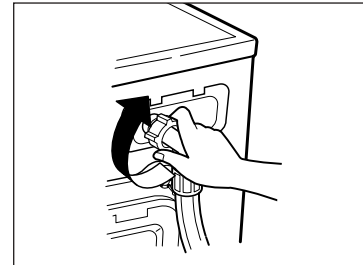
1. Turn off the water tap.



2. Unscrew the water inlet hose.



3. Clean the filter using a had bristle brush.



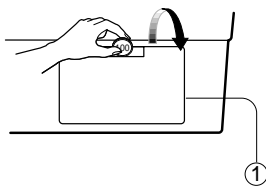
4. Tighten up the inlet hose.

## ■ Cleaning the drain pump filter

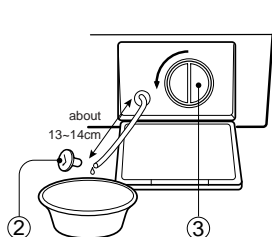
- The drain filter collects threads and small objects left in the laundry.
- Check regularly that the filter is clean to ensure smooth running of your machine.

**CAUTION** Be careful when draining if the water is hot.

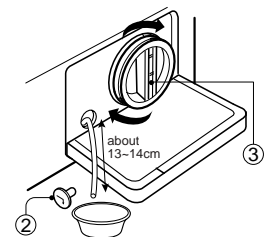
1. Open the lower cover(①) by using a coin. Turn the cap hose(②) to pull out the hose. Pull out the hose maximally. (About 13~14cm.)



2. Unplug the cap hose(②), allowing the water to flow out. At this time use a vessel to prevent water flowing on to the floor. When water does not flow any more, turn the pump filter(③) open to the left.



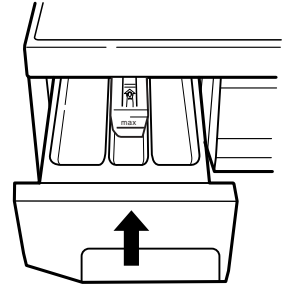
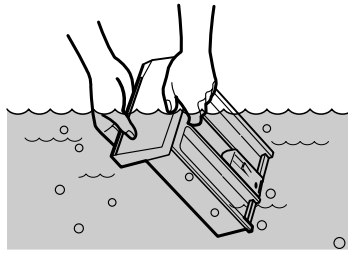
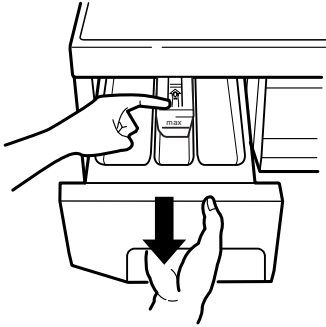
3. Remove any foreign material from the pump filter(③). After cleaning, turn the pump filter clockwise and insert the cap hose(②) to the original place. Close the lower cover.



## ■ Cleaning the detergent case

✳ After a while detergents and fabric softeners leave a deposit in the detergent case.

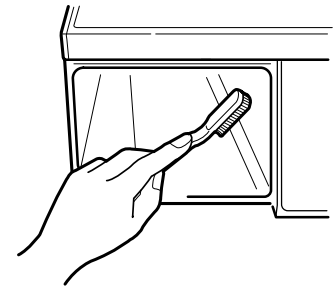
- It should be cleaned from time to time with a jet of running water.
- If necessary it can be removed completely from the machine by pressing the catch downwards and by pulling it out.
- To facilitate cleaning, the upper part of the fabric softener compartment can be removed.



### Inlet box recess

✳ Detergent can also accumulate inside the recess which should be cleaned occasionally with an old toothbrush.

- Once you have finished cleaning, replace the detergent case and run a rinse cycle without laundry.



## ■ Cleaning the washing drum

- If you live in a hard water area, limescale may continuously build up in places where it cannot be seen and thus not easily removed.
- Over time the build up of scale clogs appliances, and if it is not kept in check these may have to be replaced.
- Although the washing drum is made of stainless steel, specks of rust can be caused by small metal articles (paper clips, safety pins) which have been left in the drum.
- The washing drum should be cleaned from time to time.
- If you use descaling agents, dyes or bleaches, make sure they are suitable for washing machine use.
  - ✳ Descaler may contain chemicals that may damage part of your washing machine.
  - ✳ Remove any spots with a stainless steel cleaning agent.
  - ✳ Never use steel wool.



## 4. DIRECTION FOR DISASSEMBLY

### DOOR LOCK SWITCH

1) Open the door and remove the gasket clamp.



2) Remove the gasket from the front cabinet.



3) Remove two screws, and remove the door lock switch.



### HEATER AND THERMISTOR

1) Remove four screws on the back cover, and remove the back cover.



2) Remove connectors and the earth terminal.



3) Remove the nut by using a box wrench, and remove the earth terminal.



4) Loosen the nut by using a box wrench, and pull out the heater.

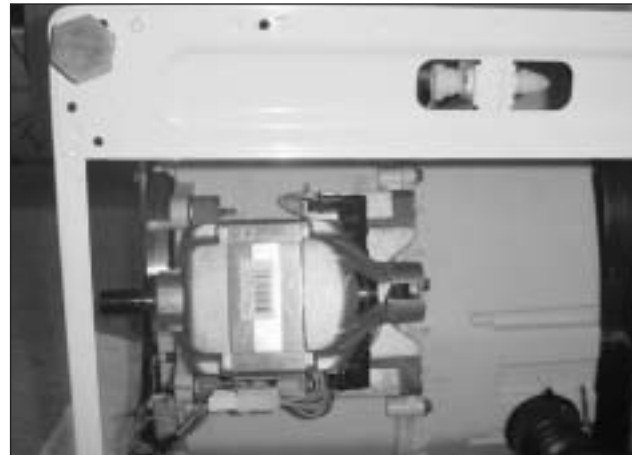


## UNIVERSAL MOTOR

1) Remove the belt from the pulley.



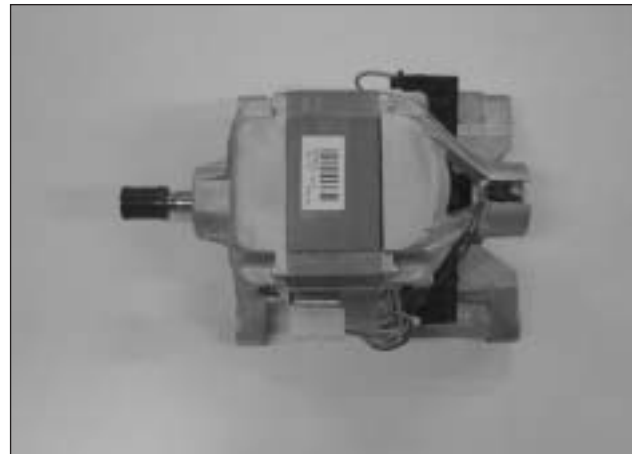
2) Lay the right side of the washer on the floor, and remove the connector.



3) Remove two bolts and two nuts mounting the motor by using a box wrench.



4) Remove the motor from the tub.



## DRAIN PUMP

1) Lay the right side of the washer on the floor, and remove the lower panel by pressing six sanp fits.



2) Remove connectors.



3) Remove the screw, and remove the drain pump from the lower frame.



4) Remove the drain hose.

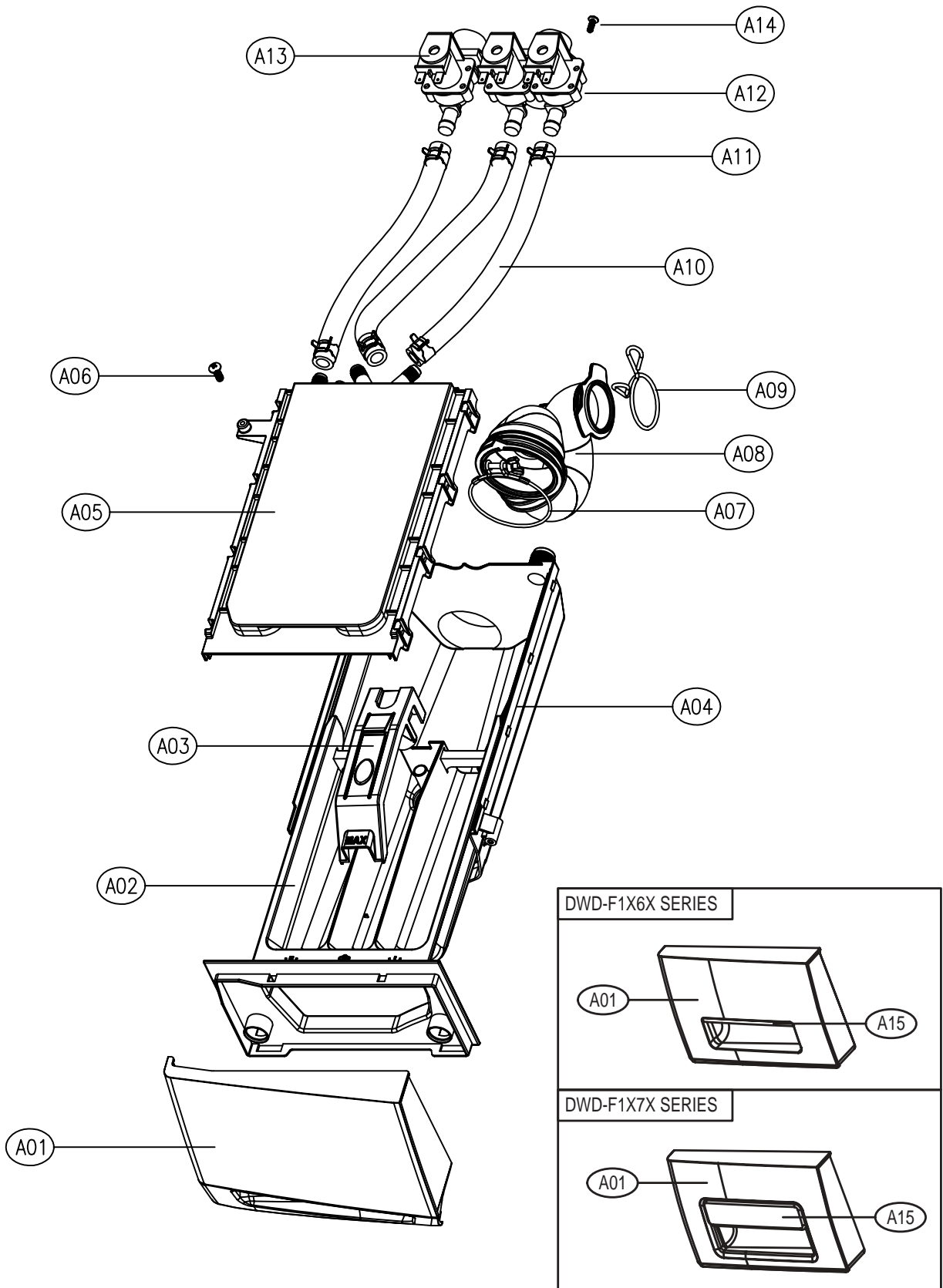


5) Remove the inner drain hose, and remove the drain pump.



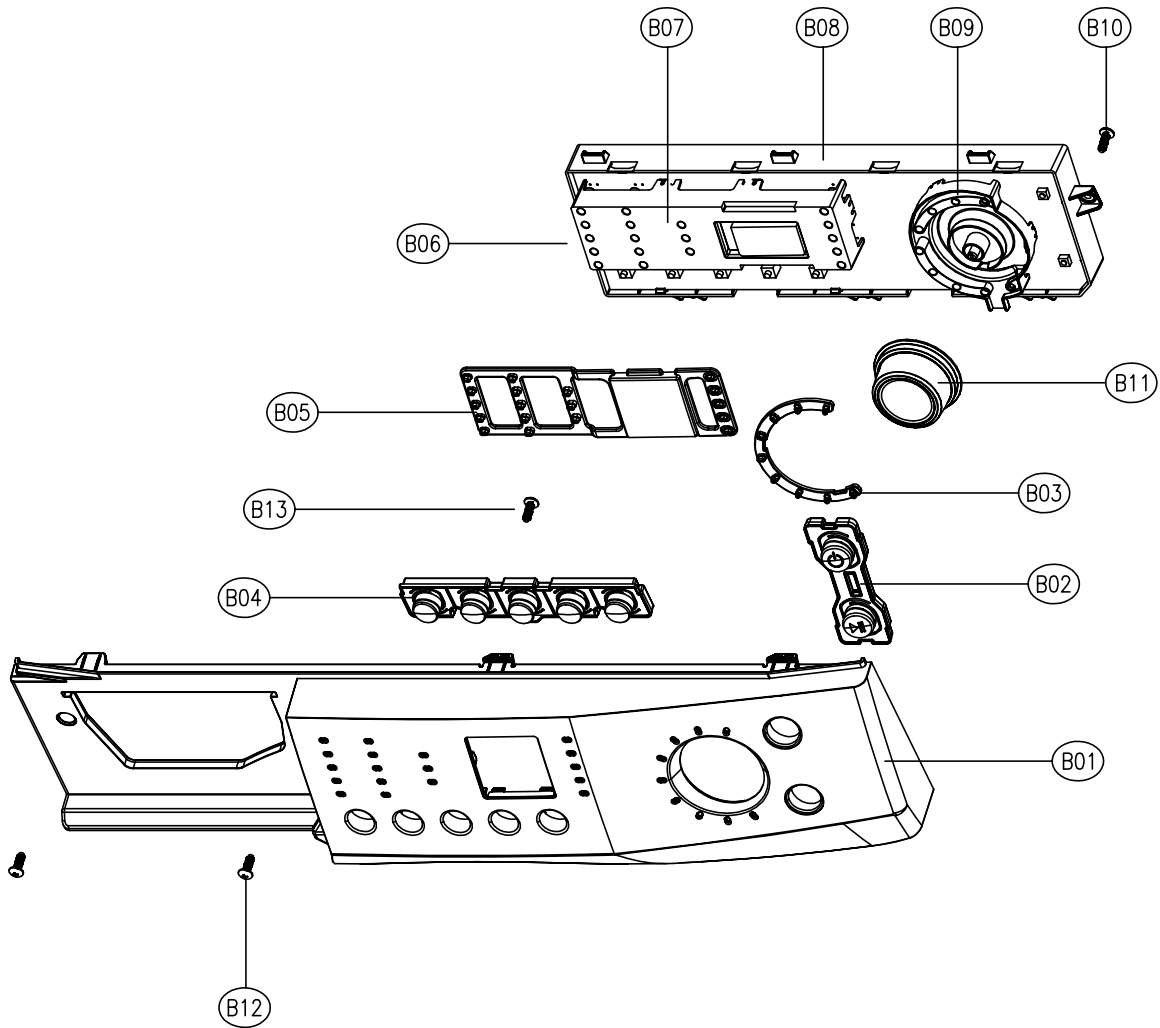
# 5. EXPLODE VIEW AND PARTS LIST

## ■ BOX INLET AS



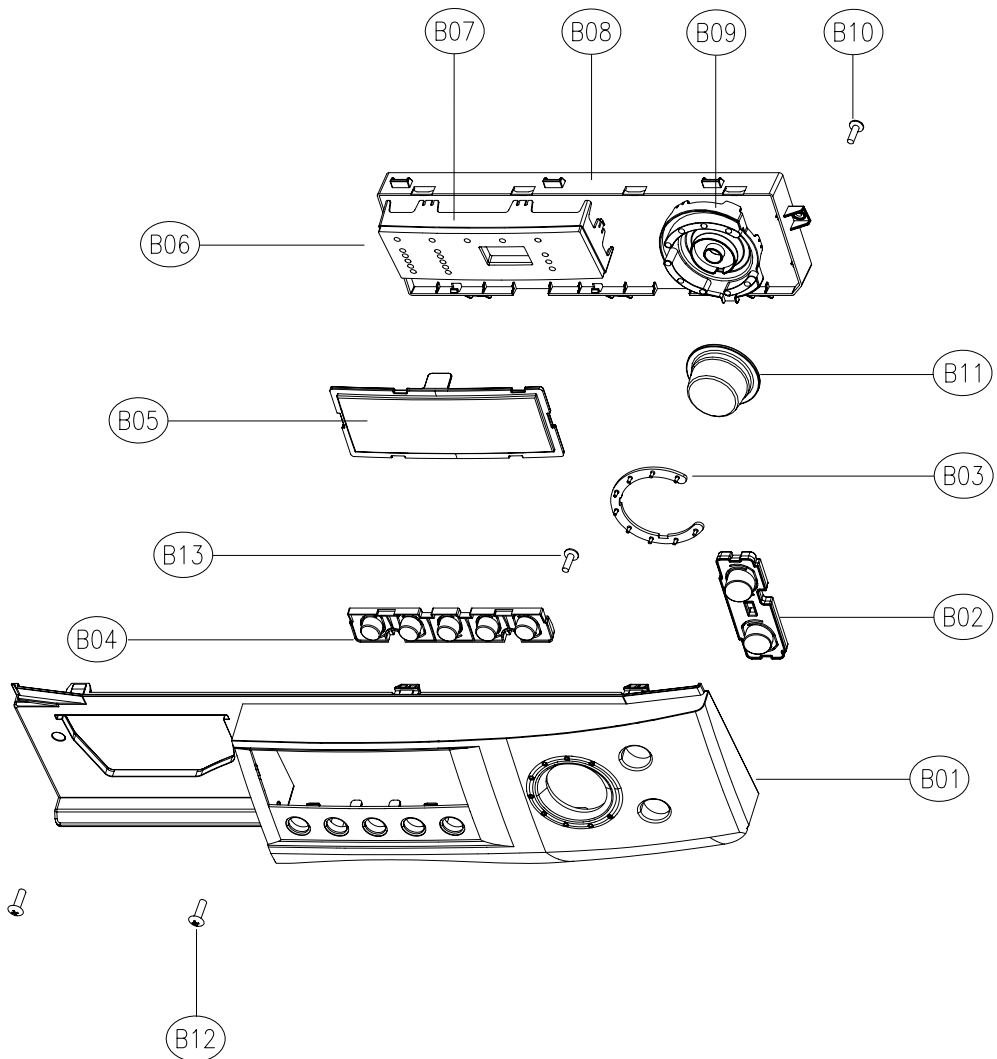
No.	PART NAME	PART CODE	SPECIFICATION	Q'TY	REMARK
A01	HANDLE CASE (CASE HANDLE)	3612608700	ABS	1	DWD-F1X11(2)
		3612608710	ABS + SPRAY		DWD-F1X13
		3612608900	ABS		DWD-F1X21(2)
		3612608910	ABS + SPRAY		DWD-F1X23
		3612609700	ABS		DWD-F1X31(2)
		3612609710	ABS + SPRAY		DWD-F1X33
		3611148000	HIPS, D-FU124'S		DWD-F1X41(2) DWD-F1X51(2)
		3611148001	ABS + SPRAY		DWD-F1X43 DWD-F1X53
		3611149500	D-F'SERIES 6TH, ABS		DWD-F1X61(2)
		3611149510	ABS + SPRAY		DWD-F1X63
		3611149600	D-F'SERIES 7TH , ABS		DWD-F1X71(2)
		3611149610	ABS + SPRAY		DWD-F1X73
A02	CASE DETERGENT	3611140300	PP	1	
A03	CAP SOFTENER	3610916600	PP	1	
A04	BOX INLET	3610526500	PP	1	
A05	NOZZLE AS	3618103510	NOZZLE TOP + NOZZLE UNDER	1	COLD
		3618103500			COLD+HOT
A06	SCREW TAPPING	7122402011	T2S TRS 4x20 MFZN	1	
A07	CLAMP AS	3611203200	ID=60,WIRE+GUIDE+BOLT+NUT	1	
A08	HOSE INLET	3613267200	EPDM U-TRAP	1	
A09	CLAMP HOSE I	3611201400	HSW3, D2.6, MFZN, ID=38	1	
A10	HOSE WATER SUPPLY	3613270900	EPDM, ID9.5, OD14.5, L=225	2(3)	COLD(+HOT)
A11	CLAMP HOSE	3611205800	100H, ID=13.8 W=10.0 0.9T	4(6)	COLD(+HOT)
A12	VALVE INET	3615414900	220-240V 2-WAY PP/BRACKET	1	COLD VALVE
		3615414910	220-240V 2WAY NYLON VDE		
		3615416821	220-240V.VDE.BITRON.2WAY + DR TECH		COLD VALVE(EU)
A13	VALVE INLET	3615414800	220-240V,50/60Hz,1WAY	1	HOT VALVE
		3615416720	220-240 50/60-1WAY,HOT,BITRON,VDE		HOT VALVE(EU)
A14	SCREW TAPTITE	7272400811	TT3 TRS 4X8 MFZN	2(4)	COLD(+HOT)
A15	DECO CASE HANDLE	3611698000	D-F'SERIES 6TH ,ABS	1	DWD-F1X6X
		3611698400	D-F'SERIES 7TH , ABS		DWD-F1X7X

## ■ PANEL FRONT AS (DWD-F1X1X SERIES)



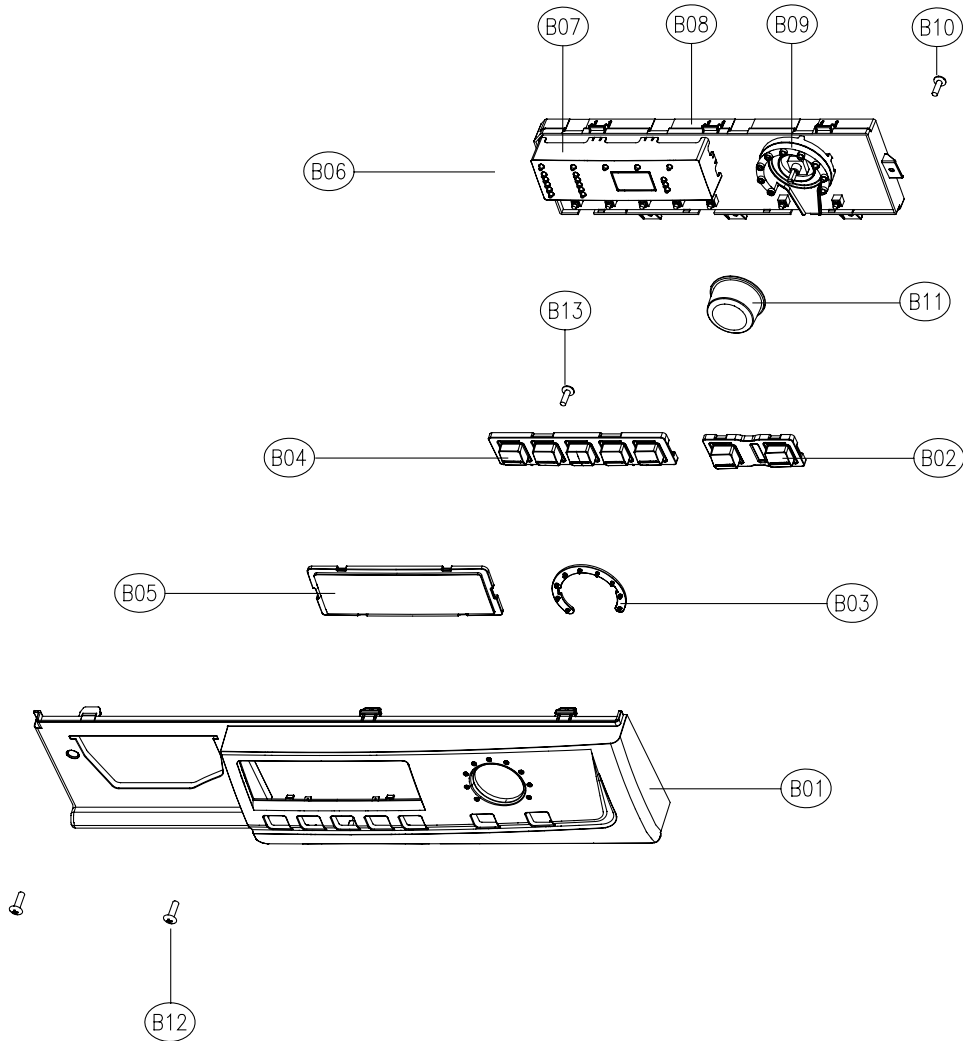
No.	PART NAME	PART CODE	SPECIFICATION	Q'TY	REMARK
B01	PANEL F	3614282702	HIPS	1	DWD-F1X13
		3614282710	SILVER SPRAY		
B02	BUTTON POWER	3616603600	ABS	1	DWD-F1X11/DWD-F1X14
		3616603620	ABS+AL COATING		
B03	WINDOW DIAL	3615503100	ABS	1	
B04	BUTTON SELECT	3616603500	ABS	1	DWD-F1X11/DWD-F1X14
		3616603520	ABS+AL COATING		
B05	WINDOW LED	3615503000	ABS	1	
B06	PCB AS	PRPSSWB---	DWD-F1XXX SERIES	1	Refer to Detailed Part Code of PCB AS
B07	HOLDER LED	3613049600	ABS	1	
B08	CASE PCB	3611140200	HIPS	1	
B09	HOLDER DIAL	3613049700	ABS	1	
B10	SCREW TAPPING	7122401611	T2S TRS 4x16 MFZN	4	
B11	KNOB DIAL AS	3613405000	ABS, AL COATING	1	DWD-F1X13
		3613405010	ABS+SILVER SPRAY, UV COATING		
B12	SCREW TAPPING	7122401608	T2S TRS 4x16 SUS	2	
B13	SCREW TAPPING	7122401211	T2S TRS 4x12 MFZN	2	

## ■ PANEL FRONT AS (DWD-F1X2X SERIES)



No.	PART NAME	PART CODE	SPECIFICATION	Q'TY	REMARK
B01	PANEL F	3614284502	HIPS	1	DWD-F1X23
		3614284510	SILVER SPRAY		
B02	BUTTON POWER	3616604200	ABS	1	DWD-F1X21
		3616604210	ABS+AL COATING		
B03	WINDOW DIAL	3615503400	ABS	1	
B04	BUTTON SELECT	3616604100	ABS	1	DWD-F1X21
		3616604110	ABS+AL COATING	1	
B05	WINDOW LED	3615503300	ABS	1	
B06	PCB AS	PRPSSWB---	DWD-F1XXX SERIES	1	Refer to Detailed Part Code of PCB AS
B07	HOLDER LED	3613050500	ABS	1	
B08	CASE PCB	3611140200	HIPS	1	
B09	HOLDER DIAL	3613050600	ABS	1	
B10	SCREW TAPPING	7122401611	T2S TRS 4x16 MFZN	4	
B11	KNOB DIAL	3613405110	ABS+SPRAY	1	
B12	SCREW TAPPING	7122401608	T2S TRS 4x16 SUS	2	
B13	SCREW TAPPING	7122401211	T2S TRS 4x12 MFZN	2	

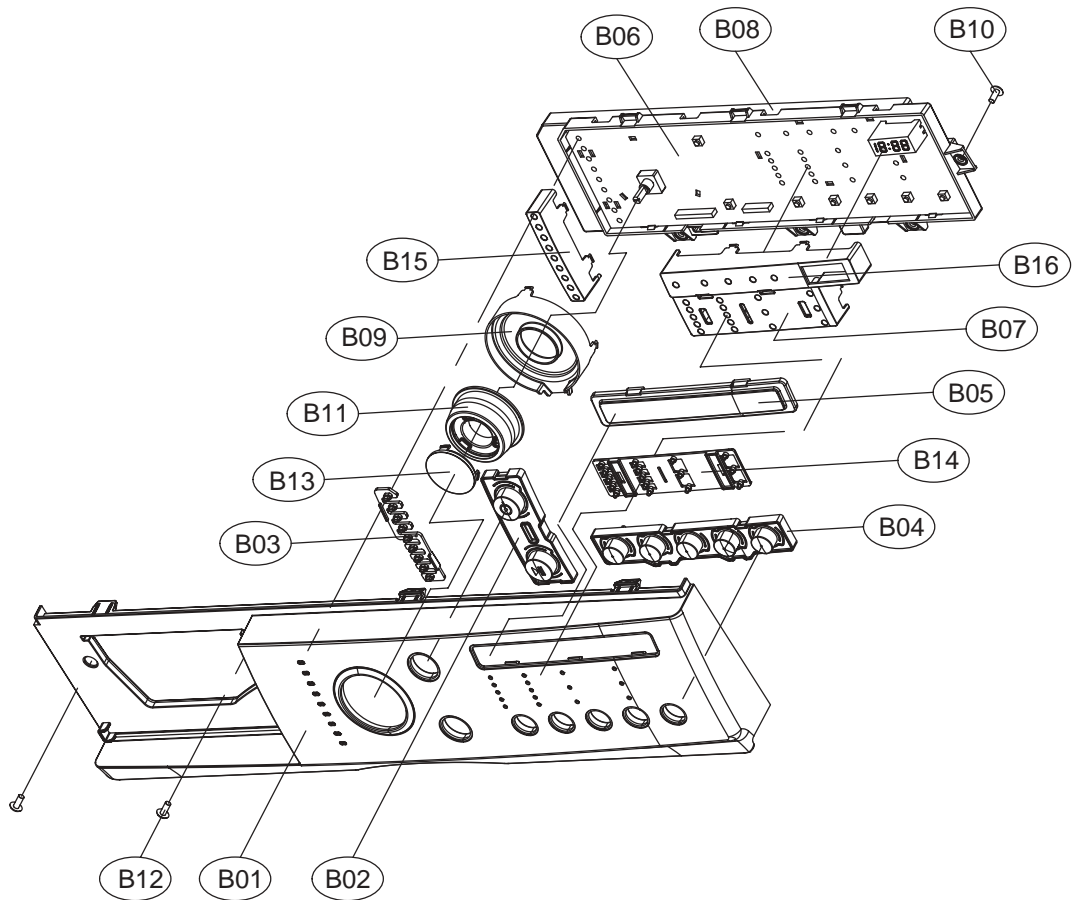
## ■ PANEL FRONT AS (DWD-F1X3X SERIES)



No.	PART NAME	PART CODE	SPECIFICATION	Q'TY	REMARK
B01	PANEL F	3614285802	HIPS	1	DWD-F1X31(2)
		3614285810	ABS+SPRAY		DWD-F1X33
B02	BUTTON POWER	3616635300	ABS	1	DWD-F1X31
		3616635310	ABS+SPRAY		DWD-F1X32(3)
B03	WINDOW DIAL	3615504200	ABS-TR	1	
B04	BUTTON SELECT	3616635400	ABS	1	DWD-F1X31
		3616635410	ABS+SPRAY		DWD-F1X32(3)
B05	WINDOW DISPLAY	3615504300	ABS-TR	1	
B06	PCB AS	PRPSSWB---	DWD-F1XXX SERIES	1	Refer to Detailed Part Code of PCB AS
B07	HOLDER DISPLAY	3613051700	HIPS	1	
B08	CASE PCB	3611143200	HIPS	1	
B09	HOLDER DIAL	3613051500	HIPS	1	
B10	SCREW TAPPING	7122401611	T2S TRS 4x16 MFZN	4	
B11	KNOB DIAL	3613405210	ABS+SPRAY	1	
B12	SCREW TAPPING	7122401608	T2S TRS 4x16 SUS	2	
B13	SCREW TAPPING	7122401211	T2S TRS 4x12 MFZN	2	

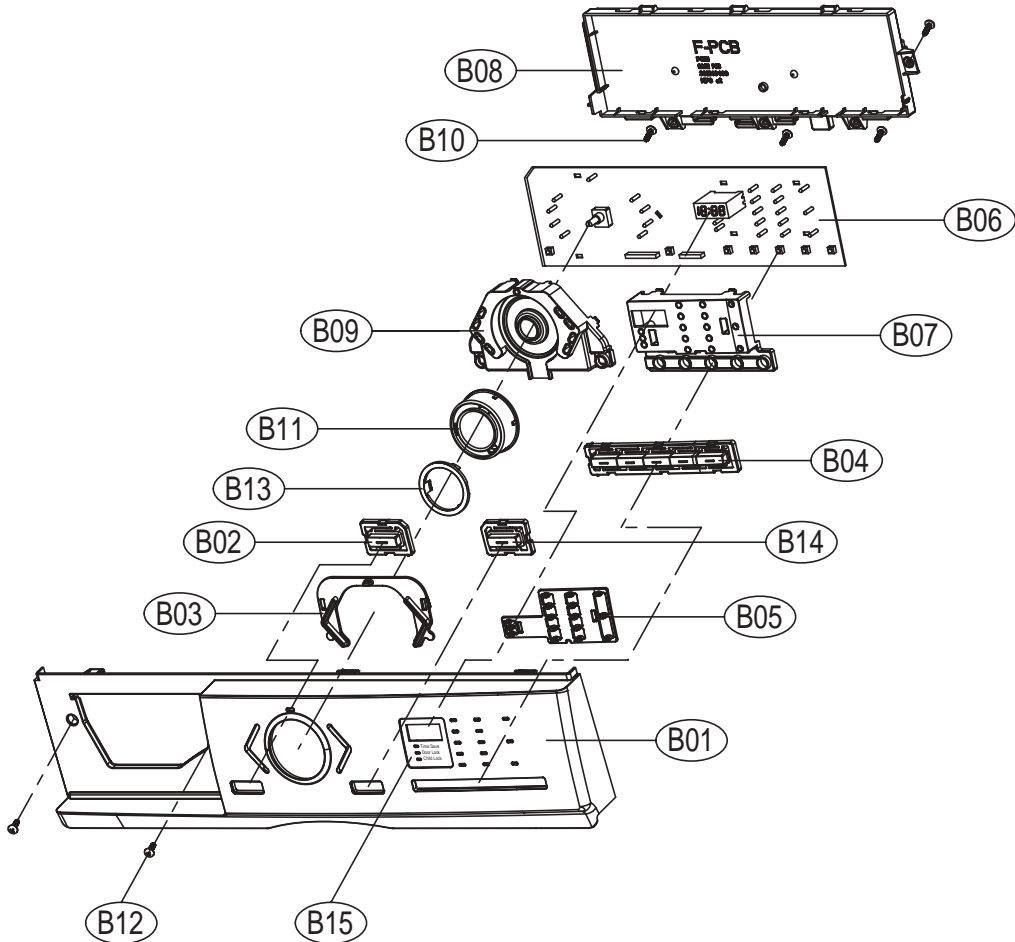


## ■ PANEL FRONT AS (DWD-F1X4X SERIES)



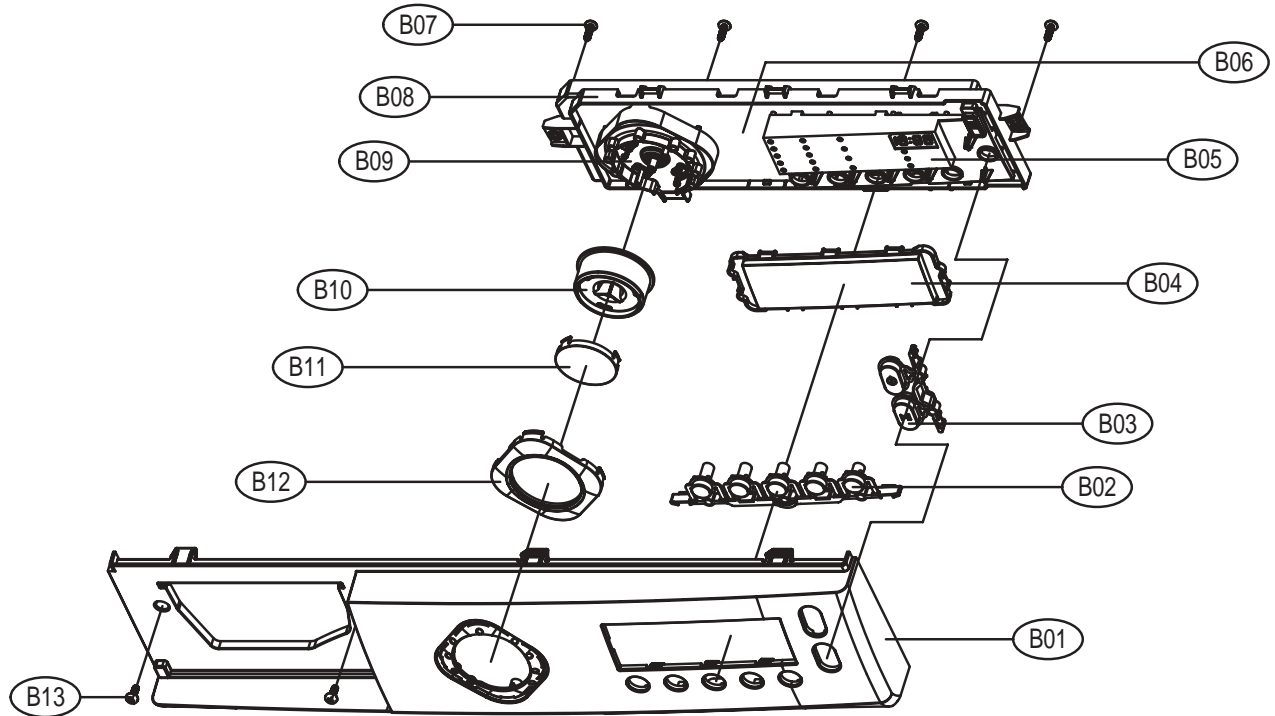
No.	PART NAME	PART CODE	SPECIFICATION	Q'TY	REMARK
B01	PANEL F	36142T1502	HIPS	1	DWD-F1X41(2)
		36142T1510	ABS + SPRAY		DWD-F1X43
B02	BUTTON POWER	3616639100	ABS	1	DWD-F1X41
		3616639110	ABS + SPRAY		DWD-F1X42(3)
B03	WINDOW COURSE	3615507000	ABS-TR	1	
B04	BUTTON SELECTION	3616639000	ABS	1	DWD-F1X41
		3616639010	ABS + SPRAY		DWD-F1X42(3)
B05	WINDOW DISPLAY	3615506800	ABS-TR	1	
B06	PCB AS	PRPSSWB---	DWD-F1X4X SERIES	1	Refer to Detailed Part Code of PCB AS
B07	HOLDER LED SELECTION	3613055300	HIPS	1	
B08	CASE PCB	36111T1500	HIPS	1	
B09	HOLDER DIAL	3613055500	HIPS	1	
B10	SCREW TAPPING	7122401611	T2S TRS 4x16 MFZN	4	
B11	KNOB DIAL OUTER	3613406600	ABS	1	DWD-F1X41
		3613406610	ABS + SPRAY		DWD-F1X42(3)
B12	SCREW TAPPING	7122401608	T2S TRS 4x16 SUS	2	
B13	KNOB DIAL INNER	3613406700	ABS	1	DWD-F1X41
		3613406710	ABS + SPRAY		DWD-F1X42(3)
B14	WINDOW SELECTION	3615506900	ABS-TR	1	
B15	HOLDER LED COURSE	3613055400	HIPS	1	
B16	DECORATOR WINDOW	3611689900	PC FILM	1	

## ■ PANEL FRONT AS (DWD-F1X5X SERIES)



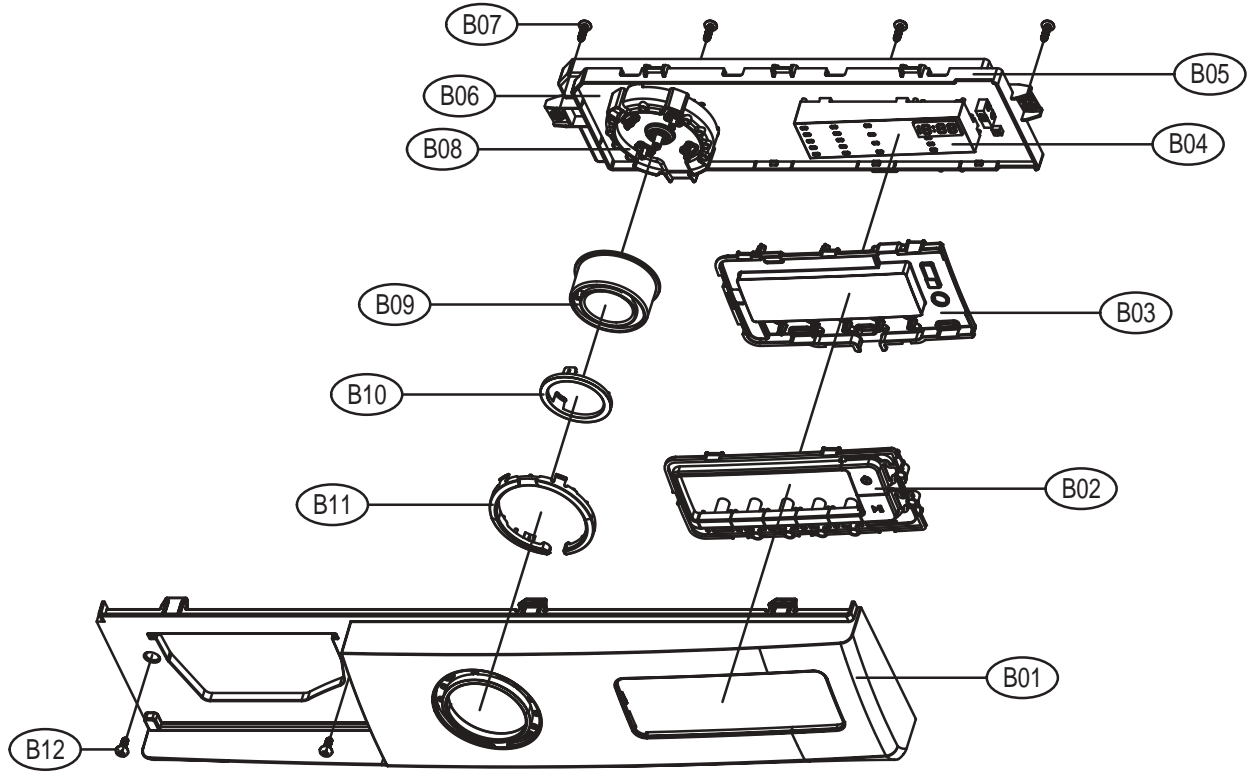
No.	PART NAME	PART CODE	SPECIFICATION	Q'TY	REMARK
B01	PANEL F	3614290100	HIPS, D-FU125'S	1	DWD-F1X51(2)
		3614290110	ABS D-FU1253'S		DWD-F1X53
B02	BUTTON POWER	3616644900	ABS	1	DWD-F1X51(2)
		3616644910	ABS + SPRAY		DWD-F1X53
B03	WINDOW COURSE	3615509500	ABS-TR	1	DWD-F1X5X
B04	BUTTON FUNCTION	3616645100	ABS	1	DWD-F1X51(2)
		3616645110	ABS + SPRAY		DWD-F1X53
B05	WINDOW SELECTION	3615509600	ABS-TR	1	DWD-F1X5X
B06	PCB AS	PRPSSWB---	DWD-F1X5X SERIES	1	Refer to Detailed Part Code of PCB AS
B07	HOLDER LED FUNCTION	3613058800	HIPS	1	DWD-F1X5X
B08	CASE PCB	3611149400	HIPS	1	DWD-F1X5X
B09	HOLDER LED COURSE	3613058700	HIPS	1	DWD-F1X5X
B10	SCREW TAPPING	7122401611	T2S TRS 4x16 MFZN	4	
B11	BUTTON DIAL	3616644800	ABS	1	DWD-F1X51(2)
		3616644810	ABS + SPRAY		DWD-F1X53
B12	SCREW TAPPING	7122401608	T2S TRS 4x16 SUS	2	
B13	DECORATOR BUTTON DIAL	3611696400	ABS, GILDING	1	DWD-F1X5X
B14	BUTTON START	3616645000	ABS	1	DWD-F1X51(2)
		3616645010	ABS + SPRAY		DWD-F1X53
B15	DECORATOR FILM	3611689900	P.C FILM	1	DWD-F1X5X

## ■ PANEL FRONT AS (DWD-F1X6X SERIES)



No.	PART NAME	PART CODE	SPECIFICATION	Q'TY	REMARK
B01	PANEL F	36142T3000	D-F'SERIES 6TH , ABS	1	DWD-F1X61(2)
		36142T3010	D-F'SERIES 6TH , ABS+ SPRAY		DWD-F1X63
B02	BUTTON SELECT	3616645800	D-F'SERIES 6TH , ABS	1	DWD-F1X61(2)
		3616645810	D-F'SERIES 6TH , ABS+ SPRAY		DWD-F1X63
B03	BUTTON POWER	3616645900	D-F'SERIES 6TH , ABS	1	DWD-F1X61(2)
		3616645910	D-F'SERIES 6TH , ABS+ SPRAY		DWD-F1X63
B04	WINDOW DISPLAY	3615510300	D-F'SERIES 6TH , TR ABS	1	DWD-F1X6X
B05	HOLDER LED	3613061900	D-F'SERIES 6TH , HIPS	1	DWD-F1X6X
B06	PCB AS	PRPSSWB----	D-F1X6X SERIES	1	Refer to Detailed Part Code of PCB AS
B07	SCREW TAPPING	7122401611	T2S TRS 4x16 MFZN	4	
B08	CASE PCB	3611149700	D-F'SERIES 6TH / 7TH , HIPS	1	DWD-F1X6(7)X
B09	HOLDER LED COURSE	3613061800	D-F'SERIES 6TH , HIPS	1	DWD-F1X6X
B10	BUTTON DIAL	3616645700	D-F'SERIES 6TH , ABS	1	DWD-F1X61(2)
		3616645710	D-F'SERIES 6TH , ABS+ SPRAY		DWD-F1X63
B11	DECO BUTTON DIAL	3611698100	D-F'SERIES 6TH , ABS	1	DWD-F1X6X
B12	WINDOW COURSE	3615510400	D-F'SERIES 6TH , TR ABS	1	DWD-F1X6X
B13	SCREW TAPPING	7122401608	T2S TRS 4x16 SUS	2	

## ■ PANEL FRONT AS (DWD-F1X7X SERIES)



No.	PART NAME	PART CODE	SPECIFICATION	Q'TY	REMARK
B01	PANEL F	36142T3100	D-F'SERIES 7TH , ABS	1	DWD-F1X71(2)
		36142T3110	D-F'SERIES 7TH , ABS+ SPRAY		DWD-F1X73
B02	BUTTON SELECT	3616646100	D-F'SERIES 7TH , ABS(SPRAY)	1	DWD-F1X7X
B03	WINDOW DISPLAY	3615510500	D-F'SERIES 7TH , TR ABS	1	DWD-F1X7X
B04	HOLDER LED(FUNCTION)	3613062200	D-F'SERIES 7TH ,HIPS	1	DWD-F1X7X
B05	CASE PCB	3611149700	D-F'SERIES 6TH / 7TH, HIPS	1	DWD-F1X6(7)X
B06	PCB AS	PRPSSWB---	D-F1X7X SERIES	1	Refer to Detailed Part Code of PCB AS
B07	SCREW TAPPING	7122401611	T2S TRS 4x16 MFZN	4	
B08	HOLDER LED COURSE	3613062100	D-F'SERIES 7TH , HIPS	1	DWD-F1X7X
B09	BUTTON DIAL	3616646000	D-F'SERIES 7TH . ABS	1	DWD-F1X71(2)
		3616646010	D-F'SERIES 7TH . ABS+ SPRAY		DWD-F1X73
B10	DECO KNOB DIAL	3611696400	L-SERIES 2ND,ABS,SPIN	1	DWD-F1X7X
B11	WINDOW COURSE	3615510600	D-F'SERIES 7TH , TR ABS	1	DWD-F1X7X
B12	SCREW TAPPING	7122401608	T2S TRS 4x16 SUS	2	

## ■ Detailed Part Code of PCB AS

No.	PART NAME	PART CODE	SPECIFICATION	Q'TY	REMARK	
B06	PCB AS	PRPSSWB100	DWD-F101, PANA MICOM, EC, 1000RPM, HOT V/V, BB	1	1st PANEL DWD-F1X1X SERIES (NON-1W)	
		PRPSSWB101	DWD-F101, PANA MICOM, EC, 1000RPM, HOT V/V, NON-BB			
		PRPSSWB102	DWD-F101, PANA MICOM, EC, 1000RPM, COLD V/V, BB			
		PRPSSWB103	DWD-F101, PANA MICOM, EC, 1000RPM, COLD V/V, NON-BB			
		PRPSSWB104	DWD-F101, PANA MICOM, EC, 1000RPM, HOT V/V, BB			
		PRPSSWB105	DWD-F101, PANA MICOM, EC, 1000RPM, HOT V/V, NON-BB			
		PRPSSWB106	DWD-F101, PANA MICOM, EC, 1000RPM, COLD V/V, BB			
		PRPSSWB107	DWD-F101, PANA MICOM, EC, 1000RPM, COLD V/V, NON-BB			
		PRPSSWB108	DWD-F101, PANA MICOM, EC, 1000RPM, HOT V/V, BB			
		PRPSSWB109	DWD-F101, PANA MICOM, EC, 1000RPM, HOT V/V, NON-BB			
		PRPSSWB110	DWD-F101, PANA MICOM, EC, 1000RPM, COLD V/V, BB			
		PRPSSWB111	DWD-F101, PANA MICOM, EC, 1000RPM, COLD V/V, NON-BB			
		PRPSSWB400	DWD-FU101, PANA, EC,1000RPM, HOT VV, BB, VDE+1W		1st PANEL DWD-F1X1X SERIES (VDE+1W)	
		PRPSSWB401	DWD-FU101, PANA, EC,1000RPM, HOT VV, NON-BB, VDE+1W			
		PRPSSWB402	DWD-FU101, PANA, EC,1000RPM, COLD VV, BB, VDE+1W			
		PRPSSWB403	DWD-FU101, PANA, EC,1000RPM, COLD VV, NON-BB, VDE+1W			
		PRPSSWB404	DWD-FU121, PANA, EC,1200RPM, HOT VV, BB, VDE+1W			
		PRPSSWB405	DWD-FU121, PANA, EC,1200RPM, HOT VV, NON-BB, VDE+1W			
		PRPSSWB406	DWD-FU121, PANA, EC,1200RPM, COLD VV, BB, VDE+1W			
		PRPSSWB407	DWD-FU121, PANA, EC,1200RPM, COLD VV, NON-BB, VDE+1W			
		PRPSSWB408	DWD-FU101,PANA,NON-EC,1000RPM,HOT VV,BB, VDE+1W			
		PRPSSWB409	DWD-FU101,PANA,NON-EC,1000RPM,HOT VV,NON-BB, VDE+1W			
		PRPSSWB410	DWD-FU101,PANA,NON-EC,1000RPM,COLD VV,BB, VDE+1W			
		PRPSSWB411	DWD-FU101,PANA,NON-EC,1000RPM,COLD VV,NON-BB, VDE+1W			
		PRPSSWB412	DWD-FU121,PANA,NON-EC,1200RPM,HOT VV,BB, VDE+1W			
		PRPSSWB413	DWD-FU121,PANA,NON-EC,1200RPM,HOT VV,NON-BB, VDE+1W			
		PRPSSWB414	DWD-FU121,PANA,NON-EC,1200RPM,COLD VV,BB, VDE+1W			
		PRPSSWB415	DWD-FU121,PANA,NON-EC,1200RPM,COLD VV,NON-BB, VDE+1W			
		PRPSSWB112	DWD-F101, PANA MICOM, EC, 1000RPM, HOT V/V, BB			2nd PANEL DWD-F1X2X SERIES (NON-1W)
		PRPSSWB113	DWD-F101, PANA MICOM, EC, 1000RPM, HOT V/V, NON-BB			
		PRPSSWB114	DWD-F101, PANA MICOM, EC, 1000RPM, COLD V/V, BB			
		PRPSSWB115	DWD-F101, PANA MICOM, EC, 1000RPM, COLD V/V, NON-BB			
		PRPSSWB120	DWD-F101, PANA MICOM, EC, 1000RPM, HOT V/V, BB			
		PRPSSWB121	DWD-F101, PANA MICOM, EC, 1000RPM, HOT V/V, NON-BB			
		PRPSSWB122	DWD-F101, PANA MICOM, EC, 1000RPM, COLD V/V, BB			
		PRPSSWB123	DWD-F101, PANA MICOM, EC, 1000RPM, COLD V/V, NON-BB			
		PRPSSWB124	DWD-F101, PANA MICOM, EC, 1200RPM, HOT V/V, BB			
		PRPSSWB125	DWD-F101, PANA MICOM, EC, 1200RPM, HOT V/V, NON-BB			
		PRPSSWB126	DWD-F101, PANA MICOM, EC, 1200RPM, COLD V/V, BB			
		PRPSSWB127	DWD-F101, PANA MICOM, EC, 1200RPM, COLD V/V, NON-BB			
		PRPSSWB128	DWD-F101, PANA MICOM, EC, 1000RPM, HOT V/V, BB			
		PRPSSWB129	DWD-F101, PANA MICOM, EC, 1000RPM, HOT V/V, NON-BB			
		PRPSSWB130	DWD-F102, PANA MICOM, NON-EC, 1000RPM, COLD V/V, BB			
PRPSSWB131	DWD-F102, PANA MICOM, NON-EC, 1000RPM, COLD V/V, NON-BB					
PRPSSWB132	DWD-F122, PANA MICOM, NON-EC, 1200RPM, HOT V/V, BB					
PRPSSWB133	DWD-F122, PANA MICOM, NON-EC, 1200RPM, HOT V/V, NON-BB					
PRPSSWB134	DWD-F122, PANA MICOM, NON-EC, 1200RPM, COLD V/V, BB					
PRPSSWB135	DWD-F122, PANA MICOM, NON-EC, 1200RPM, COLD V/V, NON-BB					
PRPSSWB136	D-FU102, AUSTRALIA, PANA, NON-EC, 1000RPM, C, B					
PRPSSWB137	D-FU122, AUSTRALIA, PANA, NON-EC, 1200RPM, C, B					

## ■ Detailed Part Code of PCB AS

No.	PART NAME	PART CODE	SPECIFICATION	Q'TY	REMARK
B06	PCB AS	PRPSSWB420	DWD-FU102, PANA, EC, 1000RPM, HOT VV, BB, VDE+1W	1	2nd PANEL DWD-F1X2X SERIES (VDE+1W)
		PRPSSWB421	DWD-FU102, PANA, EC, 1000RPM, HOT VV, NON-BB, VDE+1W		
		PRPSSWB422	DWD-FU102, PANA, EC, 1000RPM, COLD VV, BB, VDE+1W		
		PRPSSWB423	DWD-FU102, PANA, EC, 1000RPM, COLD VV, NON-BB, VDE+1W		
		PRPSSWB424	DWD-FU122, PANA, EC, 1200RPM, HOT VV, BB, VDE+1W		
		PRPSSWB425	DWD-FU122, PANA, EC, 1200RPM, HOT VV, NON-BB, VDE+1W		
		PRPSSWB426	DWD-FU122, PANA, EC, 1200RPM, COLD VV, BB, VDE+1W		
		PRPSSWB427	DWD-FU122, PANA, EC, 1200RPM, COLD VV, NON-BB, VDE+1W		
		PRPSSWB428	DWD-FU102, PANA, NON-EC, 1000RPM, HOT VV, BB, VDE+1W		
		PRPSSWB429	DWD-FU102, PANA, NON-EC, 1000RPM, HOT VV, NON-BB, VDE+1W		
		PRPSSWB430	DWD-FU102, PANA, NON-EC, 1000RPM, COLD VV, BB, VDE+1W		
		PRPSSWB431	DWD-FU102, PANA, NON-EC, 1000RPM, COLD VV, NON-BB, VDE+1W		
		PRPSSWB432	DWD-FU122, PANA, NON-EC, 1200RPM, HOT VV, BB, VDE+1W		
		PRPSSWB433	DWD-FU122, PANA, NON-EC, 1200RPM, HOT VV, NON-BB, VDE+1W		
		PRPSSWB434	DWD-FU122, PANA, NON-EC, 1200RPM, COLD VV, BB, VDE+1W		
		PRPSSWB435	DWD-FU122, PANA, NON-EC, 1200RPM, COLD VV, NON-BB, VDE+1W		
		PRPSSWB140	DWD-F103, PANA MICOM, EC, 1000RPM, HOT V/V, BB		3rd PANEL DWD-F1X3X SERIES (NON-1W)
		PRPSSWB141	DWD-F103, PANA MICOM, EC, 1000RPM, HOT V/V, NON-BB		
		PRPSSWB142	DWD-F103, PANA MICOM, EC, 1000RPM, COLD V/V, BB		
		PRPSSWB143	DWD-F103, PANA MICOM, EC, 1000RPM, COLD V/V, NON-BB		
		PRPSSWB144	DWD-F123, PANA MICOM, EC, 1200RPM, HOT V/V, BB		
		PRPSSWB145	DWD-F123, PANA MICOM, EC, 1200RPM, HOT V/V, NON-BB		
		PRPSSWB146	DWD-F123, PANA MICOM, EC, 1200RPM, COLD V/V, BB		
		PRPSSWB147	DWD-F123, PANA MICOM, EC, 1200RPM, COLD V/V, NON-BB		
		PRPSSWB148	DWD-F103, PANA MICOM, NON-EC, 1000RPM, HOT V/V, BB		
		PRPSSWB149	DWD-F103, PANA MICOM, NON-EC, 1000RPM, HOT V/V, NON-BB		
		PRPSSWB150	DWD-F103, PANA MICOM, NON-EC, 1000RPM, COLD V/V, BB		
		PRPSSWB151	DWD-F103, PANA MICOM, NON-EC, 1000RPM, COLD V/V, NON-BB		
		PRPSSWB152	DWD-F123, PANA MICOM, NON-EC, 1200RPM, HOT V/V, BB		
		PRPSSWB153	DWD-F123, PANA MICOM, NON-EC, 1200RPM, HOT V/V, NON-BB		
		PRPSSWB154	DWD-F123, PANA MICOM, NON-EC, 1200RPM, COLD V/V, BB		
		PRPSSWB155	DWD-F123, PANA MICOM, NON-EC, 1200RPM, COLD V/V, NON-BB		3rd PANEL DWD-F1X3X SERIES (VDE+1W)
		PRPSSWB156	D-FU103, AUSTRALIA, PANA MICOM, NON-EC, COLD V/V, NON-BB		
		PRPSSWB440	DWD-FU103, PANA, EC, 1000RPM, HOT VV, BB, VDE+1W		
		PRPSSWB441	DWD-FU103, PANA, EC, 1000RPM, HOT VV, NON-BB, VDE+1W		
		PRPSSWB442	DWD-FU103, PANA, EC, 1000RPM, COLD VV, BB, VDE+1W		
		PRPSSWB443	DWD-FU103, PANA, EC, 1000RPM, COLD VV, NON-BB, VDE+1W		
		PRPSSWB444	DWD-FU123, PANA, EC, 1200RPM, HOT VV, BB, VDE+1W		
		PRPSSWB445	DWD-FU123, PANA, EC, 1200RPM, HOT VV, NON-BB, VDE+1W		
		PRPSSWB446	DWD-FU123, PANA, EC, 1200RPM, COLD VV, BB, VDE+1W		
		PRPSSWB447	DWD-FU123, PANA, EC, 1200RPM, COLD VV, NON-BB, VDE+1W		
		PRPSSWB448	DWD-FU103, PANA, NON-EC, 1000RPM, HOT VV, BB, VDE+1W		
		PRPSSWB449	DWD-FU103, PANA, NON-EC, 1000RPM, HOT VV, NON-BB, VDE+1W		
		PRPSSWB450	DWD-FU103, PANA, NON-EC, 1000RPM, COLD VV, BB, VDE+1W		
		PRPSSWB451	DWD-FU103, PANA, NON-EC, 1000RPM, COLD VV, NON-BB, VDE+1W		
PRPSSWB452	DWD-FU123, PANA, NON-EC, 1200RPM, HOT VV, BB, VDE+1W				
PRPSSWB453	DWD-FU123, PANA, NON-EC, 1200RPM, HOT VV, NON-BB, VDE+1W				
PRPSSWB454	DWD-FU123, PANA, NON-EC, 1200RPM, COLD VV, BB, VDE+1W				
PRPSSWB455	DWD-FU123, PANA, NON-EC, 1200RPM, COLD VV, NON-BB, VDE+1W				

## ■ Detailed Part Code of PCB AS

No.	PART NAME	PART CODE	SPECIFICATION	Q'TY	REMARK
B06	PCB AS	PRPSSWB200	DWD-FU104, PANA MICOM, EC, 1000RPM, HOT V/V, BB	1	4th PANEL DWD-F1X4X SERIES (NON-1W)
		PRPSSWB201	DWD-FU104, PANA MICOM, EC, 1000RPM, HOT V/V, NON-BB		
		PRPSSWB202	DWD-FU104, PANA MICOM, EC, 1000RPM, COLD V/V, BB		
		PRPSSWB203	DWD-FU104, PANA MICOM, EC, 1000RPM, COLD V/V, NON-BB		
		PRPSSWB204	DWD-FU124, PANA MICOM, EC, 1200RPM, HOT V/V, BB		
		PRPSSWB205	DWD-FU124, PANA MICOM, EC, 1200RPM, HOT V/V, NON-BB		
		PRPSSWB206	DWD-FU124, PANA MICOM, EC, 1200RPM, COLD V/V, BB		
		PRPSSWB207	DWD-FU124, PANA MICOM, EC, 1200RPM, COLD V/V, NON-BB		
		PRPSSWB208	DWD-FU104, PANA MICOM, NON-EC, 1000RPM, HOT V/V, BB		
		PRPSSWB209	DWD-FU104, PANA MICOM, NON-EC, 1000RPM, HOT V/V, NON-BB		
		PRPSSWB210	DWD-FU104, PANA MICOM, NON-EC, 1000RPM, COLD V/V, BB		
		PRPSSWB211	DWD-FU104, PANA MICOM, NON-EC, 1000RPM, COLD V/V, NON-BB		
		PRPSSWB212	DWD-FU124, PANA MICOM, NON-EC, 1200RPM, HOT V/V, BB		
		PRPSSWB213	DWD-FU124, PANA MICOM, NON-EC, 1200RPM, HOT V/V, NON-BB		
		PRPSSWB214	DWD-FU124, PANA MICOM, NON-EC, 1200RPM, COLD V/V, BB		
		PRPSSWB215	DWD-FU124, PANA MICOM, NON-EC, 1200RPM, COLD V/V, NON-BB		
		PRPSSWB460	DWD-FU104, PANA, EC,1000RPM, HOT VV, BB, VDE+1W		4th PANEL DWD-F1X4X SERIES (VDE+1W)
		PRPSSWB461	DWD-FU104, PANA, EC,1000RPM, HOT VV, NON-BB, VDE+1W		
		PRPSSWB462	DWD-FU104, PANA, EC,1000RPM, COLD VV, BB, VDE+1W		
		PRPSSWB463	DWD-FU104, PANA, EC,1000RPM, COLD VV, NON-BB, VDE+1W		
		PRPSSWB464	DWD-FU124, PANA, EC,1200RPM, HOT VV, BB, VDE+1W		
		PRPSSWB465	DWD-FU124, PANA, EC,1200RPM, HOT VV, NON-BB, VDE+1W		
		PRPSSWB466	DWD-FU124, PANA, EC,1200RPM, COLD VV, BB, VDE+1W		
		PRPSSWB467	DWD-FU124, PANA, EC,1200RPM, COLD VV, NON-BB, VDE+1W		
		PRPSSWB468	DWD-FU104,PANA,NON-EC,1000RPM,HOT VV,BB, VDE+1W		
		PRPSSWB469	DWD-FU104,PANA,NON-EC,1000RPM,HOT VV,NON-BB, VDE+1W		
		PRPSSWB470	DWD-FU104,PANA,NON-EC,1000RPM,COLD VV,BB, VDE+1W		
		PRPSSWB471	DWD-FU104,PANA,NON-EC,1000RPM,COLD VV,NON-BB, VDE+1W		
		PRPSSWB472	DWD-FU124,PANA,NON-EC,1200RPM,HOT VV,BB, VDE+1W		
		PRPSSWB473	DWD-FU124,PANA,NON-EC,1200RPM,HOT VV,NON-BB, VDE+1W		
		PRPSSWB474	DWD-FU124,PANA,NON-EC,1200RPM,COLD VV,BB, VDE+1W		
		PRPSSWB475	DWD-FU124,PANA,NON-EC,1200RPM,COLD VV,NON-BB, VDE+1W		
		PRPSSWB480	DWD-FU105, PANA, EC,1000RPM, HOT VV, BB, VDE+1W		5th PANEL DWD-F1X5X SERIES (VDE+1W)
		PRPSSWB481	DWD-FU105, PANA, EC,1000RPM, HOT VV, NON-BB, VDE+1W		
		PRPSSWB482	DWD-FU105, PANA, EC,1000RPM, COLD VV, BB, VDE+1W		
		PRPSSWB483	DWD-FU105, PANA, EC,1000RPM, COLD VV, NON-BB, VDE+1W		
		PRPSSWB484	DWD-FU125, PANA, EC,1200RPM, HOT VV, BB, VDE+1W		
		PRPSSWB485	DWD-FU125, PANA, EC,1200RPM, HOT VV, NON-BB, VDE+1W		
		PRPSSWB486	DWD-FU125, PANA, EC,1200RPM, COLD VV, BB, VDE+1W		
		PRPSSWB487	DWD-FU125, PANA, EC,1200RPM, COLD VV, NON-BB, VDE+1W		
		PRPSSWB488	DWD-FU105,PANA,NON-EC,1000RPM,HOT VV,BB, VDE+1W		
		PRPSSWB489	DWD-FU105,PANA,NON-EC,1000RPM,HOT VV,NON-BB, VDE+1W		
		PRPSSWB490	DWD-FU105,PANA,NON-EC,1000RPM,COLD VV,BB, VDE+1W		
		PRPSSWB491	DWD-FU105,PANA,NON-EC,1000RPM,COLD VV,NON-BB, VDE+1W		
		PRPSSWB492	DWD-FU125,PANA,NON-EC,1200RPM,HOT VV,BB, VDE+1W		
		PRPSSWB493	DWD-FU125,PANA,NON-EC,1200RPM,HOT VV,NON-BB, VDE+1W		
		PRPSSWB494	DWD-FU125,PANA,NON-EC,1200RPM,COLD VV,BB, VDE+1W		
		PRPSSWB495	DWD-FU125,PANA,NON-EC,1200RPM,COLD VV,NON-BB, VDE+1W		

## ■ Detailed Part Code of PCB AS

No.	PART NAME	PART CODE	SPECIFICATION	Q'TY	REMARK
B06	PCB AS	PRPSSWB500	DWD-FU106, PANA, EC,1000RPM, HOT VV, BB, VDE+1W, ISLAMIC RINSE	1	6th PANEL DWD-F1X6X SERIES (VDE+1W)
		PRPSSWB501	DWD-FU106, PANA, EC,1000RPM, HOT VV, BB, VDE+1W		
		PRPSSWB502	DWD-FU106, PANA, EC,1000RPM, HOT VV, NON-BB, VDE+1W, ISLAMIC RINSE		
		PRPSSWB503	DWD-FU106, PANA, EC,1000RPM, HOT VV, NON-BB, VDE+1W		
		PRPSSWB504	DWD-FU106, PANA, EC,1000RPM, COLD VV, BB, VDE+1W, ISLAMIC RINSE		
		PRPSSWB505	DWD-FU106, PANA, EC,1000RPM, COLD VV, BB, VDE+1W		
		PRPSSWB506	DWD-FU106, PANA, EC,1000RPM, COLD VV, NON-BB, VDE+1W, ISLAMIC RINSE		
		PRPSSWB507	DWD-FU106, PANA, EC,1000RPM, COLD VV, NON-BB, VDE+1W		
		PRPSSWB508	DWD-FU126, PANA, EC,1200RPM, HOT VV, BB, VDE+1W, ISLAMIC RINSE		
		PRPSSWB509	DWD-FU126, PANA, EC,1200RPM, HOT VV, BB, VDE+1W		
		PRPSSWB510	DWD-FU126, PANA, EC,1200RPM, HOT VV, NON-BB, VDE+1W, ISLAMIC RINSE		
		PRPSSWB511	DWD-FU126, PANA, EC,1200RPM, HOT VV, NON-BB, VDE+1W		
		PRPSSWB512	DWD-FU126, PANA, EC,1200RPM, COLD VV, BB, VDE+1W, ISLAMIC RINSE		
		PRPSSWB513	DWD-FU126, PANA, EC,1200RPM, COLD VV, BB, VDE+1W		
		PRPSSWB514	DWD-FU126, PANA, EC,1200RPM, COLD VV, NON-BB, VDE+1W, ISLAMIC RINSE		
		PRPSSWB515	DWD-FU126, PANA, EC,1200RPM, COLD VV, NON-BB, VDE+1W		
		PRPSSWB516	DWD-FU106,PANA, NON-EC,1000RPM,HOT VV,BB, VDE+1W, ISLAMIC RINSE		
		PRPSSWB517	DWD-FU106,PANA, NON-EC,1000RPM,HOT VV,BB, VDE+1W		
		PRPSSWB518	DWD-FU106,PANA, NON-EC,1000RPM,HOT VV, NON-BB, VDE+1W, ISLAMIC RINSE		
		PRPSSWB519	DWD-FU106,PANA, NON-EC,1000RPM,HOT VV, NON-BB, VDE+1W		
		PRPSSWB520	DWD-FU106,PANA, NON-EC,1000RPM,COLD VV,BB, VDE+1W, ISLAMIC RINSE		
		PRPSSWB521	DWD-FU106,PANA, NON-EC,1000RPM,COLD VV,BB, VDE+1W		
		PRPSSWB522	DWD-FU106,PANA, NON-EC,1000RPM,COLD VV, NON-BB, VDE+1W, ISLAMIC RINSE		
		PRPSSWB523	DWD-FU106,PANA, NON-EC,1000RPM,COLD VV, NON-BB, VDE+1W		
		PRPSSWB524	DWD-FU126,PANA, NON-EC,1200RPM,HOT VV,BB, VDE+1W, ISLAMIC RINSE		
		PRPSSWB525	DWD-FU126,PANA, NON-EC,1200RPM,HOT VV,BB, VDE+1W		
		PRPSSWB526	DWD-FU126,PANA, NON-EC,1200RPM,HOT VV, NON-BB, VDE+1W, ISLAMIC RINSE		
		PRPSSWB527	DWD-FU126,PANA, NON-EC,1200RPM,HOT VV, NON-BB, VDE+1W		
		PRPSSWB528	DWD-FU126,PANA, NON-EC,1200RPM,COLD VV,BB, VDE+1W, ISLAMIC RINSE		
		PRPSSWB529	DWD-FU126,PANA, NON-EC,1200RPM,COLD VV,BB, VDE+1W		
		PRPSSWB530	DWD-FU126,PANA, NON-EC,1200RPM,COLD VV, NON-BB, VDE+1W, ISLAMIC RINSE		
PRPSSWB531	DWD-FU126,PANA, NON-EC,1200RPM,COLD VV, NON-BB, VDE+1W				

### NOTE : PCB AS OPTIONS

1. EC(Electricity failure Compensation) Option : EC(Apply EC option), NON-EC(Do not apply EC option).
2. RPM Option : 1000RPM(Apply 101X~107X 1000rpm models), 1200RPM(Apply 121X~127X 1200rpm models).
3. Water Inlet Valve Option : HOT VV(Apply cold Inlet valve and hot inlet valve), COLD VV(Apply cold inlet valve only).
4. Bubble Pump Option : BB(Apply bubble pump), NON-BB(Do not apply bubble pump).
5. 1W Standby Power Option : 1W(Apply 1W standby power option), NON-1W(Do not apply 1W standby power option).
6. Function Button Option : ISLAMIC RINSE(Apply 'Islamic Rinse' function), Others(Apply 'Water+' function).



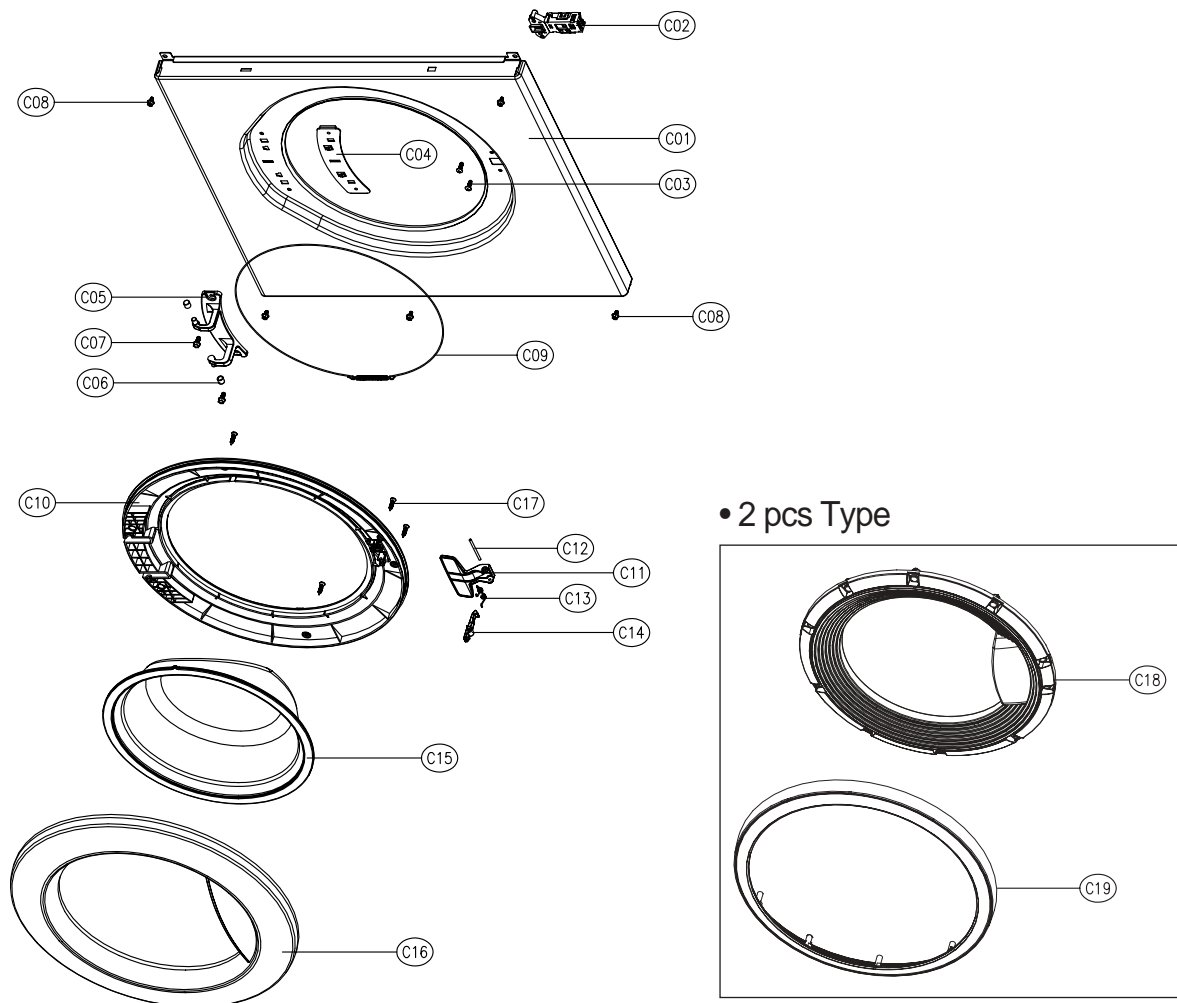
## ■ Detailed Part Code of PCB AS

No.	PART NAME	PART CODE	SPECIFICATION	Q'TY	REMARK
B06	PCB AS	PRPSSWB532	DWD-FU107, PANA, EC,1000RPM, HOT VV, BB, VDE+1W, ISLAMIC RINSE	1	7th PANEL DWD-F1X7X SERIES (VDE+1W)
		PRPSSWB533	DWD-FU107, PANA, EC,1000RPM, HOT VV, BB, VDE+1W		
		PRPSSWB534	DWD-FU107, PANA, EC,1000RPM, HOT VV, NON-BB, VDE+1W, ISLAMIC RINSE		
		PRPSSWB535	DWD-FU107, PANA, EC,1000RPM, HOT VV, NON-BB, VDE+1W		
		PRPSSWB536	DWD-FU107, PANA, EC,1000RPM, COLD VV, BB, VDE+1W, ISLAMIC RINSE		
		PRPSSWB537	DWD-FU107, PANA, EC,1000RPM, COLD VV, BB, VDE+1W		
		PRPSSWB538	DWD-FU107, PANA, EC,1000RPM, COLD VV, NON-BB, VDE+1W, ISLAMIC RINSE		
		PRPSSWB539	DWD-FU107, PANA, EC,1000RPM, COLD VV, NON-BB, VDE+1W		
		PRPSSWB540	DWD-FU127, PANA, EC,1200RPM, HOT VV, BB, VDE+1W, ISLAMIC RINSE		
		PRPSSWB541	DWD-FU127, PANA, EC,1200RPM, HOT VV, BB, VDE+1W		
		PRPSSWB542	DWD-FU127, PANA, EC,1200RPM, HOT VV, NON-BB, VDE+1W, ISLAMIC RINSE		
		PRPSSWB543	DWD-FU127, PANA, EC,1200RPM, HOT VV, NON-BB, VDE+1W		
		PRPSSWB544	DWD-FU127, PANA, EC,1200RPM, COLD VV, BB, VDE+1W, ISLAMIC RINSE		
		PRPSSWB545	DWD-FU127, PANA, EC,1200RPM, COLD VV, BB, VDE+1W		
		PRPSSWB546	DWD-FU127, PANA, EC,1200RPM, COLD VV, NON-BB, VDE+1W, ISLAMIC RINSE		
		PRPSSWB547	DWD-FU127, PANA, EC,1200RPM, COLD VV, NON-BB, VDE+1W		
		PRPSSWB548	DWD-FU107,PANA, NON-EC,1000RPM,HOT VV,BB, VDE+1W, ISLAMIC RINSE		
		PRPSSWB549	DWD-FU107,PANA, NON-EC,1000RPM,HOT VV,BB, VDE+1W		
		PRPSSWB550	DWD-FU107,PANA, NON-EC,1000RPM,HOT VV, NON-BB, VDE+1W, ISLAMIC RINSE		
		PRPSSWB551	DWD-FU107,PANA, NON-EC,1000RPM,HOT VV, NON-BB, VDE+1W		
		PRPSSWB552	DWD-FU107,PANA, NON-EC,1000RPM,COLD VV,BB, VDE+1W, ISLAMIC RINSE		
		PRPSSWB553	DWD-FU107,PANA, NON-EC,1000RPM,COLD VV,BB, VDE+1W		
		PRPSSWB554	DWD-FU107,PANA, NON-EC,1000RPM,COLD VV, NON-BB, VDE+1W, ISLAMIC RINSE		
		PRPSSWB555	DWD-FU107,PANA, NON-EC,1000RPM,COLD VV, NON-BB, VDE+1W		
		PRPSSWB556	DWD-FU127,PANA, NON-EC,1200RPM,HOT VV,BB, VDE+1W, ISLAMIC RINSE		
		PRPSSWB557	DWD-FU127,PANA, NON-EC,1200RPM,HOT VV,BB, VDE+1W		
		PRPSSWB558	DWD-FU127,PANA, NON-EC,1200RPM,HOT VV, NON-BB, VDE+1W, ISLAMIC RINSE		
		PRPSSWB559	DWD-FU127,PANA, NON-EC,1200RPM,HOT VV, NON-BB, VDE+1W		
		PRPSSWB560	DWD-FU127,PANA, NON-EC,1200RPM,COLD VV,BB, VDE+1W, ISLAMIC RINSE		
		PRPSSWB561	DWD-FU127,PANA, NON-EC,1200RPM,COLD VV,BB, VDE+1W		
		PRPSSWB562	DWD-FU127,PANA, NON-EC,1200RPM,COLD VV, NON-BB, VDE+1W, ISLAMIC RINSE		
		PRPSSWB563	DWD-FU127,PANA, NON-EC,1200RPM,COLD VV, NON-BB, VDE+1W		

### NOTE : PCB AS OPTIONS

1. EC(Electricity failure Compensation) Option : EC(Apply EC option), NON-EC(Do not apply EC option).
2. RPM Option : 1000RPM(Apply 101X~107X 1000rpm models), 1200RPM(Apply 121X~127X 1200rpm models).
3. Water Inlet Valve Option : HOT VV(Apply cold Inlet valve and hot inlet valve), COLD VV(Apply cold inlet valve only).
4. Bubble Pump Option : BB(Apply bubble pump), NON-BB(Do not apply bubble pump).
5. 1W Standby Power Option : 1W(Apply 1W standby power option), NON-1W(Do not apply 1W standby power option).
6. Function Button Option : ISLAMIC RINSE(Apply 'Islamic Rinse' function), Others(Apply 'Water+' function).

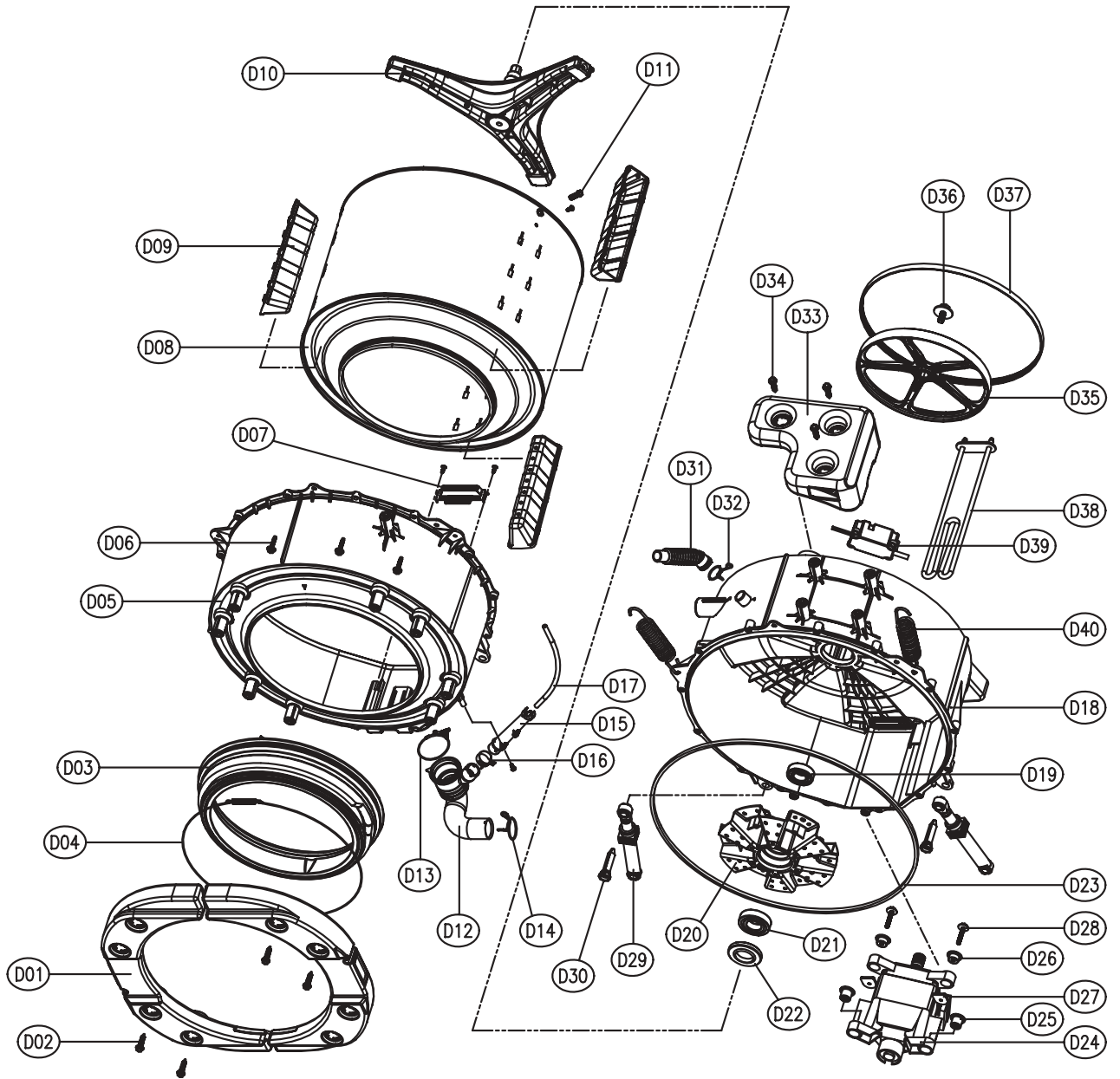
## ■ CABINET FRONT AS



• 2 pcs Type

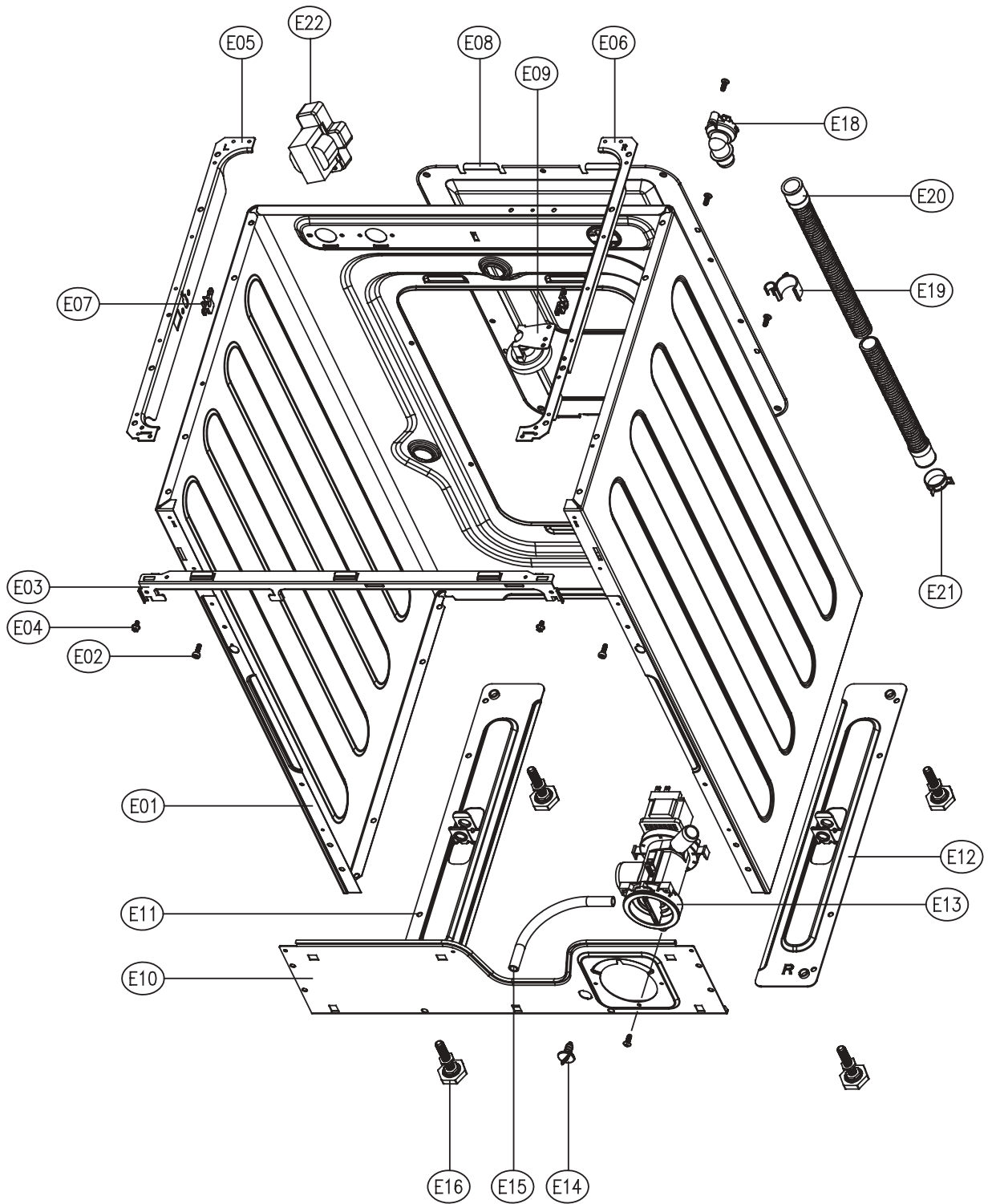
No.	PART NAME	PART CODE	SPECIFICATION	Q'TY	REMARK
C01	CABINET FRONT	3610811210	PCM, SGCC 0.8T, SILVER	1	DWD-F1XX3
		3610811220	SECD 0.7T		DWD-F1XX1(2)
C02	SWITCH DOOR LOCK	3619047100	DL-LC.BITRON_3P.250V16A.BI-METAL	1	
C03	SCREW TAPPING	7122401208	T2S TRS 4X12 SUS	2	
C04	PLATE HINGE SUPPORT	3614531900	SGCC T1.6	0	No use
C05	HINGE DOOR	3612902800	ALDC	1	
C06	CAP HINGE DOOR	3610916500	POM	2	
C07	SCREW TAPPING	3616030000	F/L BOLT(SE) 5*12 SUS	2	
C08	SCREW TAPPING	3616029950	TTS"S" HEX F/L 4*8	6	
C09	CLAMP DOOR AS	3611204810	HSW3, D=1.4 GS	1	
C10	FRAME DOOR I	3612205200	PP	1	
C11	HANDLE DOOR	3612608600	ABS	1	
C12	PIN HANDLE	3618200200	SUS304, D3, L48	1	
C13	SPRING HOOK	3615114600	SUS D1.4	1	
C14	HOOK DOOR	3613100700	ZNDC	1	
C15	DOOR GLASS	361A110700	GLASS PI300	1	
C16	FRAME DOOR O	3612205102	HIPS D-F'S		DWD-F1XX1
		3612205120	CR3		DWD-F1XX2(3)
C17	SCREW TAPPING	7115402008	T1S FLT 4*20 SUS	6	
C18	FRAME DOOR O	3612211900	D-F'S, 2 PCS TYPE, ABS, BLACK	1	2 pcs type(option)
		3612211910	D-F'S, 2 PCS TYPE, HIPS, WHITE		
C19	DECO DOOR O	3612212000	D-F'SERIES 6&7TH, ABS	1	

■ TUB ASS'Y



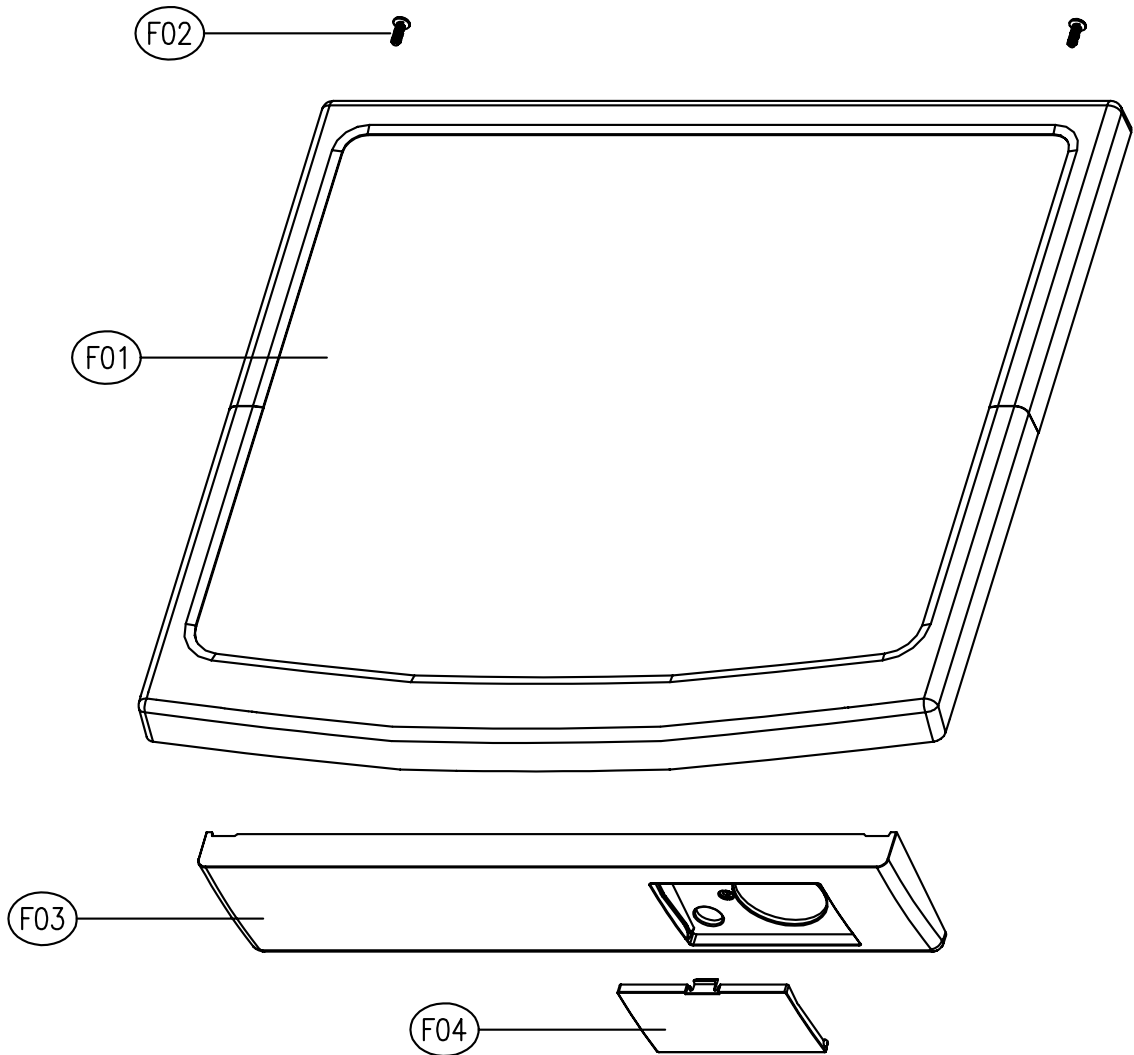
No.	PART NAME	PART CODE	SPECIFICATION	Q'TY	REMARK
D01	BALANCER WEIGHT F L/R	3616106300	FRONT, 6.0kg	2	
D02	SPECIAL SCREW(BALANCER)	3616029400	SWCH 8.5X30	8	
D03	GASKET	3612321400	EPDM	1	
D04	CLAMP GASKET AS	3611204520	HSW3,GS	1	
D05	TUB FRONT	3618821001	FRPP FH7300GM	1	
D06	SPECIAL SCREW(TUB)	3616029800	SWCH 6.5X30	14	
D07	FIXTURE HEATER	3612007300	SUS 0.7T 440x45	1	
D08	DRUM SUB AS	3617004002	SUS 0.5T	1	
D09	LIFTER WASH	361A400400	PP	3	OPTION
		361A400410	NANO		
D10	SPIDER AS	361A300500	ALDC+SM45C	1	
D11	SPECIAL SCREW(SPIDER)	3616029500	SUS430 8x25	3	
D12	HOSE DRAIN	3613267300	EPDM	1	
D13	CLAMP AS	3611203210	ID=60,WIRE+GUIDE+BOLT+NUT	1	
D14	CLAMP HOSE I	3611201401	HSW3, D2.6, MFZN, D=38	1	
D15	AIR TRAP	361A500101	PP	1	
D16	CLAMP HOSE	3611204700	D27	1	
D17	HOSE AIR	3613268600	ID=4, OD=8, L=700	1	
D18	TUB REAR	3618821101	FRPP FH7300GM	1	
D19	BEARING OUTER	3616303200	6205Z FAG	1	
D20	BEARING HOUSING	3616303301	ALDC	1	
D21	BEARING INNER	3616303100	6206Z FAG	1	
D22	WATER SEAL	361A600100	NBR	1	
D23	GASKET TUB (SEALING TUB)	3612321601	EPDM L=1600(-0,+10)	1	
D24	UNIT MOTOR UNIVERSAL	36189L4H00	220VDC50HZ 2POLES PI340	1	
D25	CUSHION MOTOR FIX(A)	3611563900	BUTYLE	2	
D26	CUSHION MOTOR FIX(B)	3611564000	BUTYLE	2	
D27	SPECIAL WASHER	3616030400	T=4.0 M6	2	
D28	SPECIAL BOLT	3616030900	M6x43, SPRING+PLATE WASER	2	
D29	DAMPER FRICTION	361A700120	120N, AKS, ST=170-160, DL=197.5	2	
D30	DAMPER PIN	361A700200	AKS, D=14.5	2	
D31	HOSE VENT	3613267100	EPDM	1	
D32	CLAMP HOSE	3611204700	D26, wire-type	1	
D33	BALANCER WEIGHT T	3616106500	TOP, 6.0kg	1	
D34	SPECIAL SCREW(BALANCER)	3616029400	SWCH 8.5x30	3	
D35	PULLEY	3618433200	ALDC	1	
D36	SPECIAL BOLT AS	3616029600	SWCH M10xL30, F/L BOLT	1	
D37	BELT V	3616591110	GATES 4PJ1120 BUTADIENE RUBBER	1	
D38	HEATER WASH	3612802430	110V 1KW.1R0A721004.RW8TF.IRCA	1	DWD-F'S(220V)
		3612802440	120V 1KW.1R0A721005.RW8TF1PE.IRCA		
		3612802400	220V 2KW.1R0A721001.RW8TF.IRCA		
		3612802410	230V 2KW.1R0A721002.RW8TF.IRCA		
		3612802420	240V 2KW.1R0A721003.RW8TF.IRCA		DWD-F'S(240V)
D39	UNIT BUBBLE PUMP	36189L4G10	100-130 DBK-115DB RP-CUSH	1	OPTION(100-130)
		36189L4120	220-240V DBK-204DB		OPTION
D40	SPRING SUSPENSION	3615114510	D=3.2, L=158,K=0.554	2	

# ■ CABINET AS



No.	PART NAME	PART CODE	SPECIFICATION	Q'TY	REMARK
E01	CABINET	3610811100	SGCC, T0.8, PAINTING	1	DWD-F'S
		3610811101	SGCC(GI), 0.7TX825.7X1630.8		
E02	SPECIAL SCREW	3616029100	M4x12.5, MACHINE	2	
E03	FRAME UPPER	3612205801	SGCC T1.0 55X580	1	
E04	SCREW TAPPING	3616029950	TTS"S" HEX F/L 4X8	4	
E05	FRAME TOP-L	3612205601	SGCC T1.4 52x500	1	
E06	FRAME TOP-R	3612205701	SGCC T1.4 52x500	1	
E07	STOPPER SPRING	3615202200	POM	2	
E08	COVER BACK AS	3611425520	COVER BACK+CUSHION	1	
E09	SENSOR PRESSURE	3614825300	5V DRUM DL-DW11 INLET 90	1	
E10	FRAME LOWER	3612205501	SGCC T1.0 160X580	1	
E11	BASE U-L	3610392201	SGCC T1.4 100x500	1	
E12	BASE U-R	3610392301	SGCC T1.4 100x500	1	
E13	UNIT DRAIN PUMP AS	36189L5700	40W 110-127V/60HZ B20-3 DRUM(6KG.FILTER) CU	1	DWD-F'S(110-127/60)
		36189L5K20	AL.220-240/50 B20-6 30W 6KG		DWD-F'S(220-240/50)
		36189L5J20	AL.220/60 B20-5 35W 6KG		DWD-F'S(220/60)
E14	CAP WATER REMAIN	3610916800	PP	1	
E15	HOSE WATER REMAIN	3613268700	EPDM, ID8.5, L200	1	
E16	LEG ADJUST AS	3617703811	FOOT + NUT	4	
E17	EMI FILTER	3611908730	[MIN]3MH, 0.47UF, 3TURN	1	DWD-FU'S(K26)
E18	CUFF DRAIN HOSE	3616802500	PP	1	
E19	GUIDE DRAIN HOSE	3612510400	PP	1	
E20	HOSE DRAIN I AS	3613268401	L=870(changed)	1	
E21	CLAMP HOSE	3611204701	D26	1	
E22	REACTOR AS	3615800100	DWD-800W RT--046B	1	OPTION

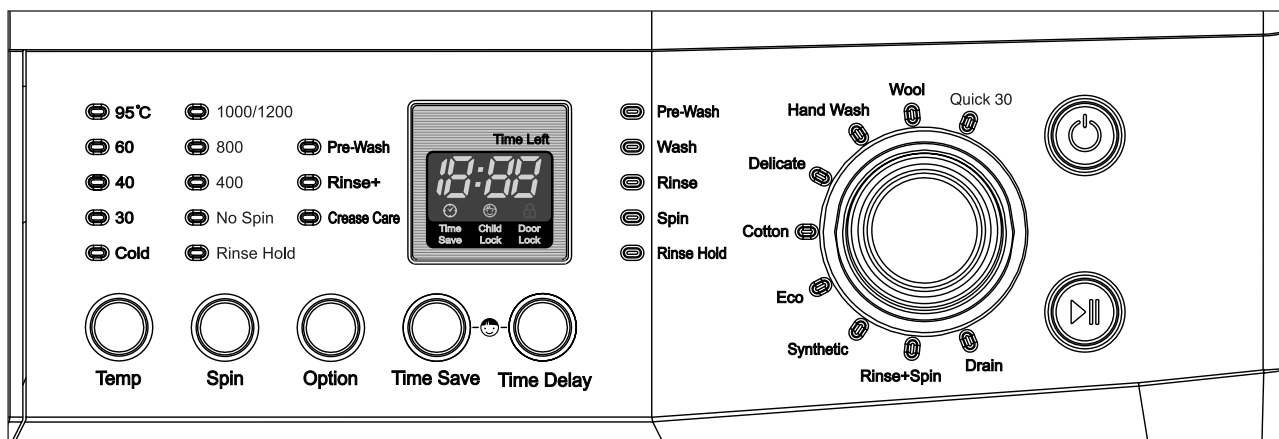
■ PLATE T AS + PANEL LOWER AS








No.	PART NAME	PART CODE	SPECIFICATION	Q'TY	REMARK
F01	PLATE TOP AS	3614532900	DWD-800W(HIPS, MFC, WH)	1	DWD-F1X11(2)
		3614532910	ABS+UV SPRAY, MFC, SILVER		DWD-F1X13
		3614532920	DWD-F1X2X(HIPS, MFC, WH)		DWD-F1X21(2)
		3614532930	ABS+UV SPRAY, MFC, SILVER		DWD-F1X23
		3614533300	FX1X31~2, 41~2(HIPS, MFC, WH)		DWD-F1X31(2)
					DWD-F1X41(2)
		DWD-F1X51(2)			
		DWD-F1X61(2)			
		DWD-F1X71(2)			
		3614533310	F3-F4'S, SPRAY(ABS, MFC, SILVER)		DWD-F1X33
					DWD-F1X43
					DWD-F1X53
					DWD-F1X63
					DWD-F1X73
F02	SCREW TAPPING	7122401411	T2S TRS 4x14 MFZN	2	
F03	PANEL LOWER	3614282801	HIPS	1	
F04	COVER PUMP FILTER	3611425801	HIPS	1	



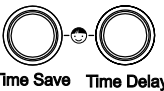
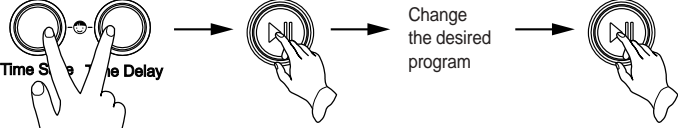
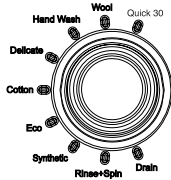
## 6. FUNCTIONS OF THE CONTROL PANEL

### ■ DWD-F1X1X SERIES

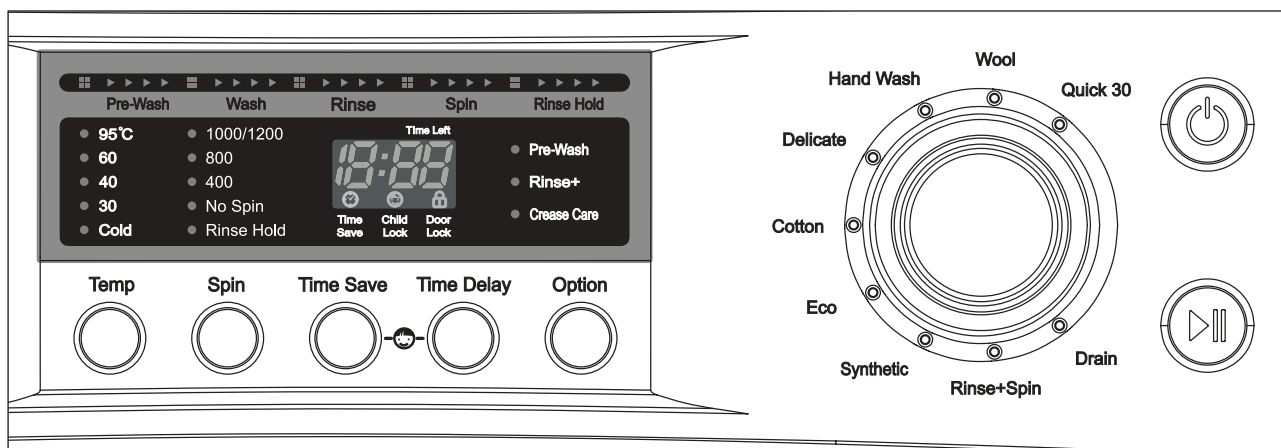







	<p><b>Power Button</b> Press this button to turn the power ON or OFF.</p>
	<p><b>Start/Hold Button</b> This button is use to start wash cycle or stop temporarily. When you want to change program in operating, press this button.</p>
 Temp	<p><b>Temperature Button</b> This button can be used to adjust temperature of water according to types of the load to be washed.</p>
 Spin	<p><b>Spin Speed Button</b> By pressing this button, the spin speed can be chosen.</p> <p><b>Rinse Hold</b> This function leaves clothes in the machine suspended in the water after a rinse without entering into spin.</p> <p><b>Spin only</b> If you want only spin, you can operate spin only.</p>
 Option	<p><b>Option Button</b> By pressing this button, all option functions may be selected.</p> <p><b>Pre-Wash</b> If the laundry is heavily soiled, Pre-Wash course is effective. Pre-Wash is available in Cotton and Synthetic.</p> <p><b>Rinse+</b> By selecting Rinse+ function, the rinse time and the rinse water are increased.</p> <p><b>Crease Care</b> If you want to prevent crease, select this button with spin speed.</p>



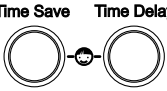
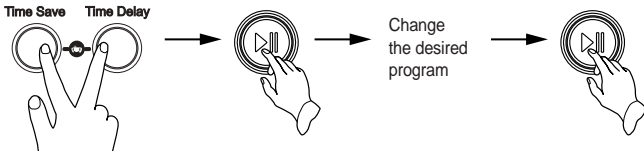
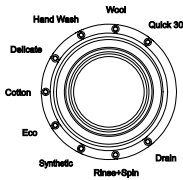


 <p>Time Save</p>	<p><b>Time Save Button</b></p> <p>By pressing this button, you can decrease pre-set washing time to 10 minutes. Time save is available in Cotton, Eco and Synthetic.</p>
 <p>Time Delay</p>	<p><b>Time Delay Button</b></p> <p>If you want to reserve the finishing time of washing, use this button. If the Time Delay button is pressed, "2:00" is displayed. The maximum delayed time is 12:00 hours and the minimum time is 2:00 hours. Each pressing of the button advances on time delay by one hour.</p>
 <p>Time Save Time Delay</p>	<p><b>Child Lock Button</b></p> <p>If you want to protect any accident occurring from handling of washer by a child, use this function. Child Lock can be set by pressing "Time Save" and "Time Delay" buttons simultaneously during 2~3seconds.</p> <p><i>*When Child Lock is set, no button functions except Power button.</i></p> <p>To cancel Child Lock, press "Time Save" and "Time Delay" buttons simultaneously again.</p> <p>To change to the desired program, while in child lock mode.</p> <ol style="list-style-type: none"> <li>1. Press both "Time Save" and "Time Delay" buttons together once again.</li> <li>2. Press the Start/Hold button.</li> <li>3. Select the desired program and press the Start/Hold button again.</li> </ol> 
	<p><b>Program Dial</b></p> <p>When Start/Hold button is pressed, the Cotton program is automatically selected. By turning the Program Dial, the program is selected in order of "Cotton↔Delicate ↔Hand Wash↔Wool↔Quick 30↔Drain↔Rinse+Spin↔Synthetic↔Eco"</p>

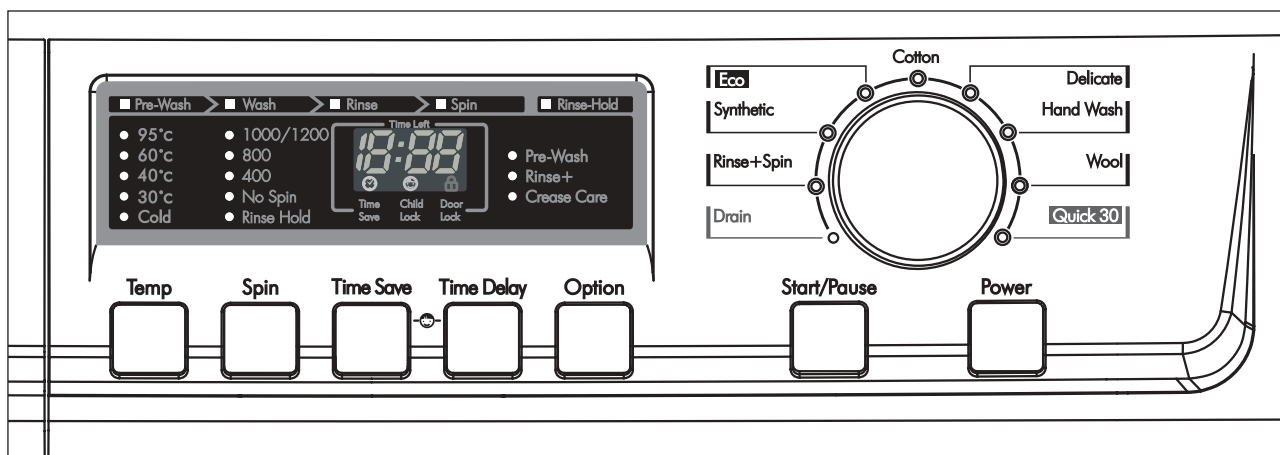
## ■ DWD-F1X2X SERIES



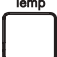






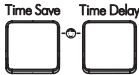
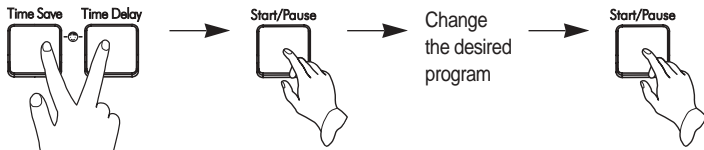
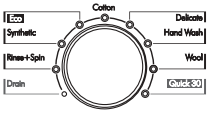
	<p><b>Power Button</b> Press this button to turn the power ON or OFF.</p>
	<p><b>Start/Hold Button</b> This button is use to start wash cycle or stop temporarily. When you want to change program in operating, press this button.</p>
<p>Temp</p> 	<p><b>Temperature Button</b> This button can be used to adjust temperature of water according to types of the load to be washed.</p>
<p>Spin</p> 	<p><b>Spin Speed Button</b> By pressing this button, the spin speed can be chosen.</p> <p><b>Rinse Hold</b> This function leaves clothes in the machine suspended in the water after a rinse without entering into spin.</p> <p><b>Spin only</b> If you want only spin, you can operate spin only.</p>
<p>Option</p> 	<p><b>Option Button</b> By pressing this button, all option functions may be selected.</p> <p><b>Pre-Wash</b> If the laundry is heavily soiled, Pre-Wash course is effective. Pre-Wash is available in Cotton and Synthetic.</p> <p><b>Rinse+</b> By selecting Rinse+ function, the rinse time and the rinse water are increased.</p> <p><b>Crease Care</b> If you want to prevent crease, select this button with spin speed.</p>

<p><b>Time Save</b></p> 	<p><b>Time Save Button</b></p> <p>By pressing this button, you can decrease pre-set washing time to 10 minutes. Time save is available in Cotton, Eco and Synthetic.</p>
<p><b>Time Delay</b></p> 	<p><b>Time Delay Button</b></p> <p>If you want to reserve the finishing time of washing, use this button. If the Time Delay button is pressed, "2:00" is displayed. The maximum delayed time is 12:00 hours and the minimum time is 2:00 hours. Each pressing of the button advances on time delay by one hour.</p>
<p><b>Time Save Time Delay</b></p> 	<p><b>Child Lock Button</b></p> <p>If you want to protect any accident occurring from handling of washer by a child, use this function.</p> <p>Child Lock can be set by pressing "Time Save" and "Time Delay" buttons simultaneously during 2~3seconds.</p> <p><i>*When Child Lock is set, no button functions except Power button.</i></p> <p>To cancel Child Lock, press "Time Save" and "Time Delay" buttons simultaneously again.</p> <p>To change to the desired program, while in child lock mode.</p> <ol style="list-style-type: none"> <li>1. Press both "Time Save" and "Time Delay" buttons together once again.</li> <li>2. Press the Start/Hold button.</li> <li>3. Select the desired program and press the Start/Hold button again.</li> </ol> 
	<p><b>Program Dial</b></p> <p>When Start/Hold button is pressed, the Cotton program is automatically selected. By turning the Program Dial, the program is selected in order of "Cotton↔Delicate ↔Hand Wash↔Wool↔Quick 30↔Drain↔Rinse+Spin↔Synthetic↔Eco"</p>

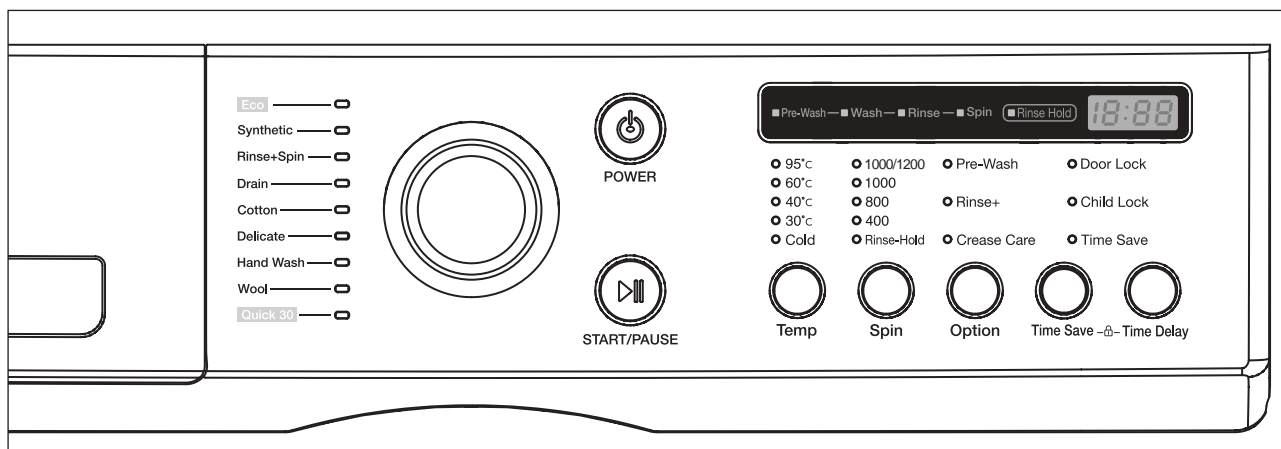
## ■ DWD-F1X3X SERIES











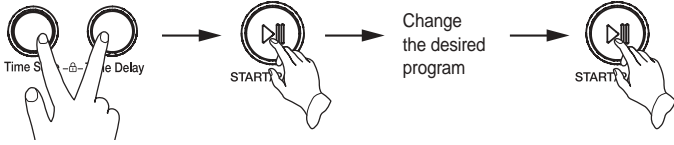
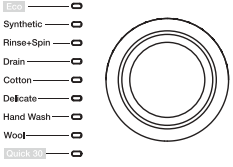
<p>Power</p> 	<p><b>Power Button</b> Press this button to turn the power ON or OFF.</p>
<p>Start/Pause</p> 	<p><b>Start/Pause Button</b> This button is use to start wash cycle or stop temporarily. When you want to change program in operating, press this button.</p>
<p>Temp</p> 	<p><b>Temperature Button</b> This button can be used to adjust temperature of water according to types of the load to be washed.</p>
<p>Spin</p> 	<p><b>Spin Speed Button</b> By pressing this button, the spin speed can be chosen. <b>Rinse Hold</b> This function leaves clothes in the machine suspended in the water after a rinse without entering into spin. <b>Spin only</b> If you want only spin, you can operate spin only.</p>
<p>Option</p> 	<p><b>Option Button</b> By pressing this button, all option functions may be selected. <b>Pre-Wash</b> If the laundry is heavily soiled, Pre-Wash course is effective. Pre-Wash is available in Cotton and Synthetic. <b>Rinse+</b> By selecting Rinse+ function, the rinse time and the rinse water are increased. <b>Crease Care</b> If you want to prevent crease, select this button with spin speed.</p>

 <p>Time Save</p>	<p><b>Time Save Button</b></p> <p>By pressing this button, you can decrease pre-set washing time to 10 minutes. Time save is available in Cotton, Eco and Synthetic.</p>
 <p>Time Delay</p>	<p><b>Time Delay Button</b></p> <p>If you want to reserve the finishing time of washing, use this button. If the Time Delay button is pressed, "2:00" is displayed. The maximum delayed time is 12:00 hours and the minimum time is 2:00 hours.</p> <p>Each pressing of the button advances on time delay by one hour.</p>
	<p><b>Child Lock Button</b></p> <p>If you want to protect any accident occurring from handling of washer by a child, use this function.</p> <p>Child Lock can be set by pressing "Time Save" and "Time Delay" buttons simultaneously during 2~3seconds.</p> <p><i>*When Child Lock is set, no button functions except Power button.</i></p> <p>To cancel Child Lock, press "Time Save" and "Time Delay" buttons simultaneously again.</p> <p>To change to the desired program, while in child lock mode.</p> <ol style="list-style-type: none"> <li>1. Press both "Time Save" and "Time Delay" buttons together once again.</li> <li>2. Press the Start/Pause button.</li> <li>3. Select the desired program and press the Start/Pause button again.</li> </ol> 
	<p><b>Program Dial</b></p> <p>When Start/Pause button is pressed, the Cotton program is automatically selected.</p> <p>By turning the Program Dial, the program is selected in order of "Cotton↔Delicate↔Hand Wash↔Wool↔Quick 30↔Drain↔Rinse+Spin↔Synthetic↔Eco"</p>

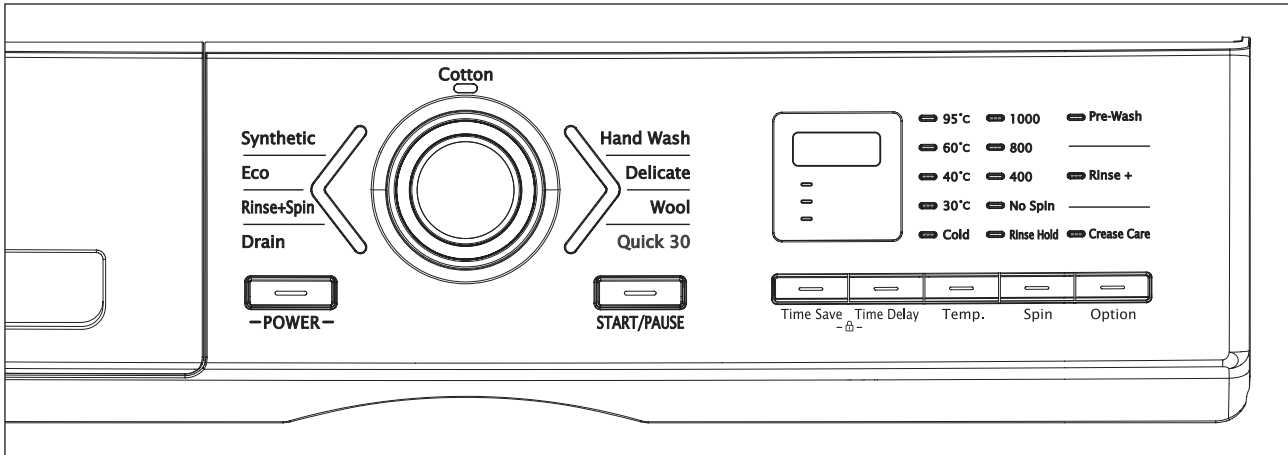
## ■ DWD-F1X4X SERIES



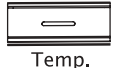




 <p>POWER</p>	<p><b>Power Button</b> Press this button to turn the power ON or OFF.</p>
 <p>START/PAUSE</p>	<p><b>Start/Pause Button</b> This button is use to start wash cycle or stop temporarily. When you want to change program in operating, press this button.</p>
 <p>Temp</p>	<p><b>Temperature Button</b> This button can be used to adjust temperature of water according to types of the load to be washed.</p>
 <p>Spin</p>	<p><b>Spin Speed Button</b> By pressing this button, the spin speed can be chosen. <b>Rinse Hold</b> This function leaves clothes in the machine suspended in the water after a rinse without entering into spin. <b>Spin only</b> If you want only spin, you can operate spin only.</p>
 <p>Option</p>	<p><b>Option Button</b> By pressing this button, all option functions may be selected. <b>Pre-Wash</b> If the laundry is heavily soiled, Pre-Wash course is effective. Pre-Wash is available in Cotton and Synthetic. <b>Rinse+</b> By selecting Rinse+ function, the rinse time and the rinse water are increased. <b>Crease Care</b> If you want to prevent crease, select this button with spin speed.</p>

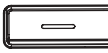

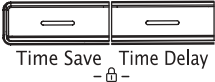
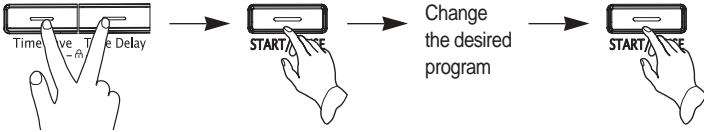
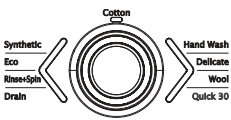
 <p>Time Save</p>	<p><b>Time Save Button</b></p> <p>By pressing this button, you can decrease pre-set washing time to 10 minutes. Time save is available in Cotton, Eco and Synthetic.</p>
 <p>Time Delay</p>	<p><b>Time Delay Button</b></p> <p>If you want to reserve the finishing time of washing, use this button. If the Time Delay button is pressed, '2:00' is displayed. The maximum delayed time is 12:00 hours and the minimum time is 2:00 hours. Each pressing of the button advances on time delay by one hour.</p>
 <p>Time Save -△- Time Delay</p>	<p><b>Child Lock Button</b></p> <p>If you want to protect any accident occurring from handling of washer by a child, use this function.</p> <p>Child Lock can be set by pressing 'Time Save' and 'Time Delay' buttons simultaneously during 2~3seconds.</p> <p><i>*When Child Lock is set, no button functions except Power button.</i></p> <p>To cancel Child Lock, press 'Time Save' and 'Time Delay' buttons simultaneously again.</p> <p>To change to the desired program, while in child lock mode.</p> <ol style="list-style-type: none"> <li>1. Press both 'Time Save' and 'Time Delay' buttons together once again.</li> <li>2. Press the Start/Pause button.</li> <li>3. Select the desired program and press the Start/Pause button again.</li> </ol> 
 <p>Eco Synthetic Rinse+Spin Drain Cotton Delicate Hand Wash Wool Rinse+Spin</p>	<p><b>Program Dial</b></p> <p>When Start/Pause button is pressed, the Cotton program is automatically selected. By turning right the Program Dial, the program is selected in order of 'Cotton ↔ Drain ↔ Rinse+Spin ↔ Synthetic ↔ Eco ↔ Quick 30 ↔ Wool ↔ Hand Wash ↔ Delicate'</p>

## ■ DWD-F1X5X SERIES

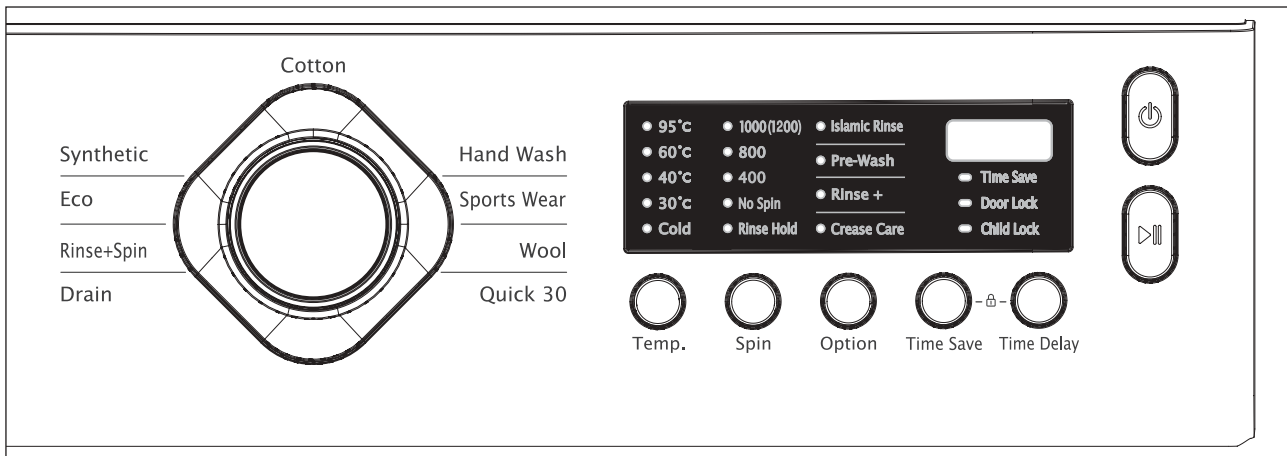







 <p>-POWER-</p>	<p><b>Power Button</b> Press this button to turn the power ON or OFF.</p>
 <p>START/PAUSE</p>	<p><b>Start/Pause Button</b> This button is use to start wash cycle or stop temporarily. When you want to change program in operating, press this button.</p>
 <p>Temp.</p>	<p><b>Temperature Button</b> This button can be used to adjust temperature of water according to types of the load to be washed.</p>
 <p>Spin</p>	<p><b>Spin Speed Button</b> By pressing this button, the spin speed can be chosen.</p> <p><b>Rinse Hold</b> This function leaves clothes in the machine suspended in the water after a rinse without entering into spin.</p> <p><b>Spin only</b> If you want only spin, you can operate spin only.</p>
 <p>Option</p>	<p><b>Option Button</b> By pressing this button, all option functions may be selected.</p> <p><b>Pre-Wash</b> If the laundry is heavily soiled, Pre-Wash course is effective. Pre-Wash is available in Cotton and Synthetic.</p> <p><b>Rinse+</b> By selecting Rinse+ function, the rinse time and the rinse water are increased.</p> <p><b>Crease Care</b> If you want to prevent crease, select this button with spin speed.</p>




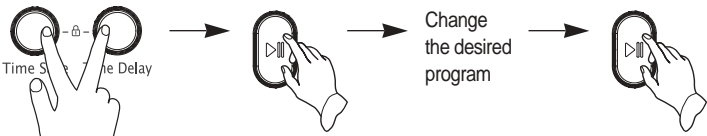
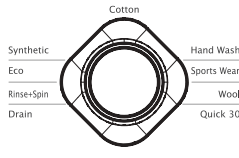


 <p>Time Save</p>	<p><b>Time Save Button</b></p> <p>By pressing this button, you can decrease pre-set washing time to 10 minutes. Time save is available in Cotton, Eco and Synthetic.</p>
 <p>Time Delay</p>	<p><b>Time Delay Button</b></p> <p>If you want to reserve the finishing time of washing, use this button. If the Time Delay button is pressed, '2:00' is displayed. The maximum delayed time is 12:00 hours and the minimum time is 2:00 hours. Each pressing of the button advances on time delay by one hour.</p>
 <p>Time Save Time Delay - -</p>	<p><b>Child Lock Button</b></p> <p>If you want to protect any accident occurring from handling of washer by a child, use this function. Child Lock can be set by pressing 'Time Save' and 'Time Delay' buttons simultaneously during 2~3seconds.</p> <p><i>* When Child Lock is set, no button functions except Power button.</i></p> <p>To cancel Child Lock, press 'Time Save' and 'Time Delay' buttons simultaneously again.</p> <p>To change to the desired program, while in child lock mode.</p> <ol style="list-style-type: none"> <li>1. Press both 'Time Save' and 'Time Delay' buttons together once again.</li> <li>2. Press the Start/Pause button.</li> <li>3. Select the desired program and press the Start/Pause button again.</li> </ol> 
	<p><b>Program Dial</b></p> <p>When Start/Pause button is pressed, the Cotton program is automatically selected. By turning right the Program Dial, the program is selected in order of 'Cotton ↔ Hand Wash ↔ Delicate ↔ Wool ↔ Quick 30 ↔ Drain ↔ Rinse+Spin ↔ Eco ↔ Synthetic'.</p>

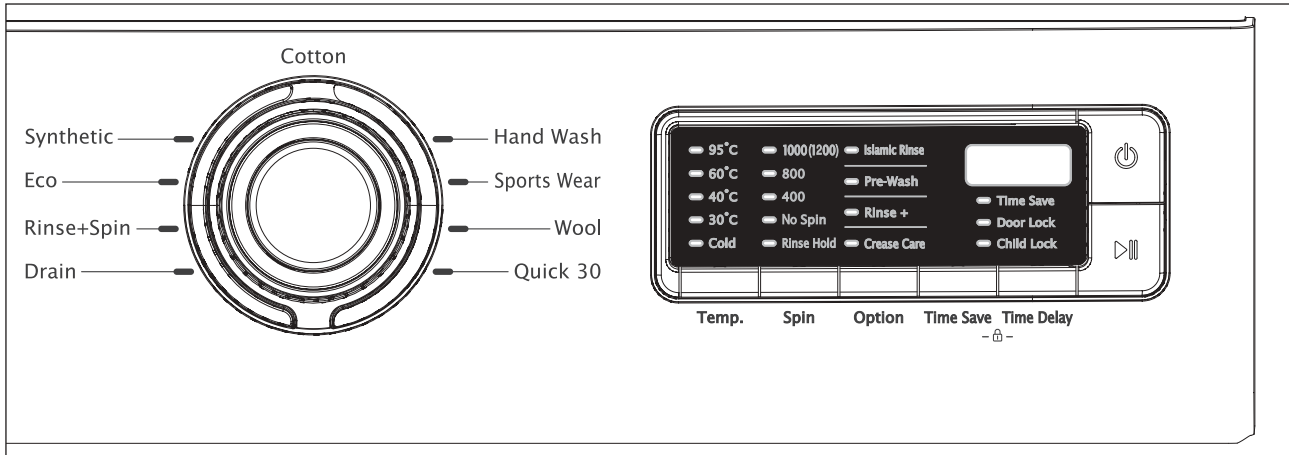
## ■ DWD-F1X6X SERIES



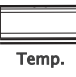
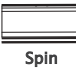
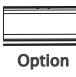





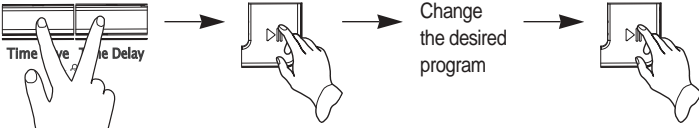
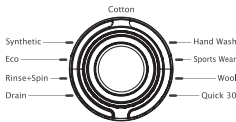
	<p><b>Power Button</b> Press this button to turn the power ON or OFF.</p>
	<p><b>Start/Pause Button</b> This button is use to start wash cycle or stop temporarily. When you want to change program in operating, press this button.</p>
 Temp.	<p><b>Temperature Button</b> This button can be used to adjust temperature of water according to types of the load to be washed.</p>
 Spin	<p><b>Spin Speed Button</b> By pressing this button, the spin speed can be chosen.</p> <p><b>Rinse Hold</b> This function leaves clothes in the machine suspended in the water after a rinse without entering into spin.</p> <p><b>Spin only</b> If you want only spin, you can operate spin only.</p>
 Option	<p><b>Option Button</b> By pressing this button, all option functions may be selected.</p> <p><b>Pre-Wash</b> If the laundry is heavily soiled, Pre-Wash course is effective. Pre-Wash is available in Cotton and Synthetic programs.</p> <p><b>Rinse+</b> By selecting Rinse+ function, the rinse time and the rinse water are increased.</p> <p><b>Crease Care</b> If you want to prevent crease, select this button with spin speed.</p> <p><b>Islamic Rinse (Option)</b> By selecting Islamic Rinse function, the washer operates two additional rinse times (Islamic Rinse process) after the basic rinse process. If the laundry is foamy fabric(muslim clothes, etc.), Islamic Rinse function is effective.</p> <p><b>Water+ (Option)</b> If you want to use more water, press this button . By selecting Water+ option, the water add more than setting water level on rinse process.</p>

 <p>Time Save</p>	<p><b>Time Save Button</b></p> <p>By pressing this button, you can decrease pre-set washing time to 10 minutes. Time save is available in Cotton, Eco and Synthetic.</p>
 <p>Time Delay</p>	<p><b>Time Delay Button</b></p> <p>If you want to reserve the finishing time of washing, use this button. If the Time Delay button is pressed, '2:00' is displayed. The maximum delayed time is 12:00 hours and the minimum time is 2:00 hours. Each pressing of the button advances on time delay by one hour.</p>
 <p>Time Save Time Delay</p>	<p><b>Child Lock Button</b></p> <p>If you want to protect any accident occurring from handling of washer by a child, use this function.</p> <p>Child Lock can be set by pressing 'Time Save' and 'Time Delay' buttons simultaneously during 2~3seconds.</p> <p><i>* When Child Lock is set, no button functions except Power button.</i></p> <p>To cancel Child Lock, press 'Time Save' and 'Time Delay' buttons simultaneously again.</p> <p>To change to the desired program, while in child lock mode.</p> <ol style="list-style-type: none"> <li>1. Press both 'Time Save' and 'Time Delay' buttons together once again.</li> <li>2. Press the Start/Pause button.</li> <li>3. Select the desired program and press the Start/Pause button again.</li> </ol> 
	<p><b>Program Dial</b></p> <p>When Start/Pause button is pressed, the Cotton program is automatically selected. By turning right the Program Dial, the program is selected in order of 'Cotton ↔ Hand Wash ↔ Sports Wear ↔ Wool ↔ Quick 30 ↔ Drain ↔ Rinse+Spin ↔ Eco ↔ Synthetic'.</p>

## ■ DWD-F1X7X SERIES



	<p><b>Power Button</b> Press this button to turn the power ON or OFF.</p>
	<p><b>Start/Pause Button</b> This button is use to start wash cycle or stop temporarily. When you want to change program in operating, press this button.</p>
 <p>Temp.</p>	<p><b>Temperature Button</b> This button can be used to adjust temperature of water according to types of the load to be washed.</p>
 <p>Spin</p>	<p><b>Spin Speed Button</b> By pressing this button, the spin speed can be chosen.</p> <p><b>Rinse Hold</b> This function leaves clothes in the machine suspended in the water after a rinse without entering into spin.</p> <p><b>Spin only</b> If you want only spin, you can operate spin only.</p>
 <p>Option</p>	<p><b>Option Button</b> By pressing this button, all option functions may be selected.</p> <p><b>Pre-Wash</b> If the laundry is heavily soiled, Pre-Wash course is effective. Pre-Wash is available in Cotton and Synthetic programs.</p> <p><b>Rinse+</b> By selecting Rinse+ function, the rinse time and the rinse water are increased.</p> <p><b>Crease Care</b> If you want to prevent crease, select this button with spin speed.</p> <p><b>Islamic Rinse (Option)</b> By selecting Islamic Rinse function, the washer operates two additional rinse times (Islamic Rinse process) after the basic rinse process. If the laundry is foamy fabric(muslim clothes, etc.), Islamic Rinse function is effective.</p> <p><b>Water+ (Option)</b> If you want to use more water, press this button . By selecting Water+ option, the water add more than setting water level on rinse process.</p>

 <p>Time Save</p>	<p><b>Time Save Button</b></p> <p>By pressing this button, you can decrease pre-set washing time to 10 minutes. Time save is available in Cotton, Eco and Synthetic.</p>
 <p>Time Delay</p>	<p><b>Time Delay Button</b></p> <p>If you want to reserve the finishing time of washing, use this button. If the Time Delay button is pressed, '2:00' is displayed. The maximum delayed time is 12:00 hours and the minimum time is 2:00 hours. Each pressing of the button advances on time delay by one hour.</p>
 <p>Time Save Time Delay -🔒-</p>	<p><b>Child Lock Button</b></p> <p>If you want to protect any accident occurring from handling of washer by a child, use this function.</p> <p>Child Lock can be set by pressing 'Time Save' and 'Time Delay' buttons simultaneously during 2~3seconds.</p> <p><i>* When Child Lock is set, no button functions except Power button.</i></p> <p>To cancel Child Lock, press 'Time Save' and 'Time Delay' buttons simultaneously again.</p> <p>To change to the desired program, while in child lock mode.</p> <ol style="list-style-type: none"> <li>1. Press both 'Time Save' and 'Time Delay' buttons together once again.</li> <li>2. Press the Start/Pause button.</li> <li>3. Select the desired program and press the Start/Pause button again.</li> </ol> 
	<p><b>Program Dial</b></p> <p>When Start/Pause button is pressed, the Cotton program is automatically selected. By turning right the Program Dial, the program is selected in order of 'Cotton ↔ Hand Wash ↔ Sports Wear ↔ Wool ↔ Quick 30 ↔ Drain ↔ Rinse+Spin ↔ Eco ↔ Synthetic'.</p>

# 7. FUNCTIONS OF THE CONTROLLER

## Sequence Chart

Division		Progress Time	Cotton		Sythetic		Eco	
			Small	Low	Small	Low	Small	Low
PRE WASH	Sensing	20sec.						
	Water Supply	2min.						
	Pre Wash	10min.						
		8min.						
	Drain	1min.						
	B-Spin	1min.						
Middle Spin	3min.							
MAIN WASH	Sensing	20sec.	■	■	■	■	■	■
	Water Supply	2min.	■	■	■	■	■	■
	Wash 1 (Heating)	90min.						
		35min.						
		30min.						
		20min.						
		15min.	■	■	■	■	■	■
	Wash 2	63min.						
		23min.	■	■	■	■	■	■
		13min.	■	■	■	■	■	■
RINSE	Drain	1min.	■	■	■	■	■	■
	B-Spin	1min.	■	■	■	■	■	■
	Middle Spin	4min.	■	■	■	■	■	■
	Water Supply	2min.	■	■	■	■	■	■
	Rinse 1	3min.	■	■	■	■	■	■
	Drain	1min.	■	■	■	■	■	■
	B-Spin	1min.	■	■	■	■	■	■
	Middle Spin	4min.	■	■	■	■	■	■
	Water Supply	2min.	■	■	■	■	■	■
	Rinse 2	3min.	■	■	■	■	■	■
	Drain	1min.	■	■	■	■	■	■
	B-Spin	1min.	■	■	■	■	■	■
	Middle Spin	4min.	■	■	■	■	■	■
	Water Supply	2min.	■	■	■	■	■	■
	Rinse 3	3min.	■	■	■	■	■	■
SPIN	Drain	1min.	■	■	■	■	■	■
	B-Spin	1min.	■	■	■	■	■	■
	Main Spin	7min.	■	■	■	■	■	■
		5min.	■	■	■	■	■	■
	3min.	■	■	■	■	■	■	
END	Untangle	2min.	■	■	■	■	■	■
	End	10sec.	■	■	■	■	■	■
Remained Time Display			1:25	1:30	1:25	1:30	1:40	1:45

### NOTE

- The washing time may vary by the amount of laundry, water pressure, water temperature and other washing conditions. If an unbalanced load is detected or if suds removing program operates, the washing time may be extended. (Maximum increasing time is about 1 hour.)
- Spin speed 825 rpm is selected automatically with Cotton, Synthetic and Eco courses.

Division	Progress Time	Wool	Delicate	Sports wear	Hand wash	Quick 30	Rinse + Spin	
		Small	1X-5X Small	6X,7X Small	Small	Small	Low	
M A I N  W A S H	Soak	30min.						
	Water Supply	2min.	■	■	■	■	■ (1min.)	
	Wash 1 (Heating)	60min.						
		50min.						
		35min.						
		30min.						
	Wash 2	5min.					■	
		20min.	■	■	(13min.)			
10min.		■	■	■	■			
	5min.	■	■			■		
R I N S E	Drain	1min.	■	■	■	■	■	
	B-Spin	1min.	■	■	■	■		
	Middle Spin	4min.	■	■	■	■		
	Water Supply	2min.	■	■	■	■	■ (1min.) ■	
	Rinse 1	3min.	■	■	■	■	■ ■	
	Drain	1min.	■	■	■	■		
	B-Spin	1min.	■	■	■	■		
	Middle Spin	4min.	■	■	■	■		
	Water Supply	2min.	■	■	■	■	■ (1min.)	
	Rinse 2	3min.	■	■	■	■	■	
	Drain	1min.				■		
	B-Spin	1min.				■		
	Middle Spin	4min.				■		
	Water Supply	2min.				■		
Rinse 3	3min.				■			
S P I N	Drain	1min.	■	■	■	■	■	
	B-Spin	1min.	■	■	■	■	■	
	Main Spin	7min.	■	■	■	■	■	■
		5min.	■	■	■	■	■	■
	3min.	■	■	■	■	■	■	
END	Untangle	2min.	■	■	■	■	■	
	End	10sec.	■	■	■	■	■	
Remained Time Display		56	56	49	57	33	17	

**NOTE**

- The washing time may vary by the amount of laundry, water pressure, water temperature and other washing conditions. If an unbalanced load is detected or if suds removing program operates, the washing time maybe extended. (Maximum increasing time is about 1hour.)
- After the rinse progress in Quick30 course, the washer operating drain progress only without middle spin progress.
- Spin speed 400 rpm is selected automatically with Wool, Delicate(Sports Wear) and Hand Wash courses.
- Apply 'Delicate' course : DWD-F1X1X ~ DWD-F1X5X models.  
Apply 'Sports Wear' course : DWD-F1X6X, DWD-F1X7X models.

## Sequence Chart (for apply 'Islamic Rinse' option)

Example) Apply 'Islamic Rinse' option with Cotton/Normal course.

Division		Progress Time	Cotton/Normal		Islamic Rinse Option					
			S (A)	L (B)	S (a)	L (b)				
MAIN WASH	Sensing	20sec.	■	■	Same as 'A'	Same as 'B'				
	Water Supply	2min.	■	■						
	Wash 1 (Heating)	30min.	15min.				■			
			10min.	■			■			
			63min.							
	Wash 2	23min.	13min.	■			■			
RINSE	Drain	1min.	■	■	Same as 'A'	Same as 'B'				
	B-Spin	1min.	■	■						
	Middle Spin	4min.	■	■						
	Water Supply	2min.	■	■						
	Rinse 1	3min.	■	■						
	Drain	1min.		■	■	Same as 'A'	Same as 'B'			
			B-Spin	1min.	■			■		
			Middle Spin	4min.	■			■		
			Water Supply	2min.	■			■		
			Rinse 2	3min.	■			■		
	Drain	1min.		■	■	Same as 'A'	Same as 'B'			
			B-Spin	1min.	■			■		
			Middle Spin	4min.	■			■		
			Water Supply	2min.	■			■		
			Rinse 3	3min.	■			■		
Islamic Rinse 1	Drain	1min.			■	■				
	Water Supply	2min.			■	■				
	Rinse (with Water Supply and Drain)	3min.			■	■				
	B-Spin	1min.			■	■				
	Middle Spin	4min.			■	■				
Islamic Rinse 2	Water Supply	2min.			■	■				
	Rinse (with Water Supply and Drain)	3min.			■	■				
SPIN	Drain	1min.	■	■	Same as 'A'	Same as 'B'				
	B-Spin	1min.	■	■						
	Main Spin	7min.	5min.	■			■			
			3min.	■			■			
END	Untangle	2min.	■	■						
	End	10sec.	■	■						
Remained Time Display			1:25	1:30	1:41	1:46				

### NOTE

- Islamic Rinse is available in Cotton, Synthetic, Hand Wash and Sports Wear programs.
- By selecting Islamic Rinse function, the washer operates two additional rinse times (Islamic Rinse process 1 and 2) after the basic rinse process. And then the washing time will be extended about 16 minutes.



## 8. FUNCTION OF THE CONVENIENT SERVICE

### ■ The test mode of the operation

You can check the PCB AS and the operation of the washing machine simply.

#### • The method to test and operate

- ① Press the Power button.
- ② Press the Option button 3 times while press the Temp button.  
At this time, the version is displayed on the Custom LED
- ③ Whenever the Time Delay button is pressed, the washing machine is operated as following.  
L\_C (Lock Switch Close) → run/OO (The number of running times)  
→ E5/OO → E6/OO → E7/OO → E8/OO (The number of the error occurrence)  
→ H (Hot Valve) → C (Cold Valve) → P (Pre-Wash Valve)  
→ bb (Bubble) → dr (Drain Pump)  
→ C:H or C:- (Cold & Hot Option)  
→ nPC or PC or etc. (PCB Option) → L\_O (Lock Switch Open)  
→ L\_C → ... (repetition)

### ■ The check mode of the water level frequency

You can check the water level frequency of the current state and the frequency by the variation of the water level.

#### • The method to test and operate

- ① Press the Power button.
- ② Press the Time Delay button 3 times while press the Temp button and the Spin button.
- ③ The water level frequency of the current state displays on "18:88 LED".

ex)     **5 6 2**     = 25.62kHz

: It display three number except the first number of 25.62kHz

- ④ Whenever the Temp button is pressed, the washing machine is operated as following.  
Cold Valve Off (Initial state)  
→ Cold Valve On  
→ Hot Valve On  
→ Pre-Wash Valve On  
→ Bubble Pump On  
→ Drain Pump On  
→ ... (repetition)

## ■ The spinning test mode

You can continually spin the washing machine with constant speed.

### • The method to test and operate

- ① Press the Power button.
- ② Press the Time Save button 3 times while press Temp button.
- ③ '400' displays on '18:88 LED'. 400 means the spinning rpm.  
You can adjust the spinning rpm by pressing Spin button.  
And this value increases by 50 up to 1400.
- ④ When press Start button, the washing machine continually operates with given spinning rpm.

## ■ The durability test mode

You can repetitively operate the washing machine with one course.

### • The method to test and operate

- ① Press the Power button.
- ② Press the Time Delay button 3 times while press Temp button.
- ③ 'd3' displays on '18:88 LED'. You can select the course by using Program Dial, Temp button, Spin button, Option and Time Save button.
- ④ When press Start button, the washing machine repetitively operates with selected course.

## 9. TROUBLESHOOTING GUIDE

This washing machine is equipped with automatic safety function which detect and diagnose faults at an early stage and react appropriately.

When the machine does not function properly or does not function at all, check the following points.

SYMPTOM	CAUSE	SOLUTION
Rattling and clanking noise.	Foreign objects such as coins or safety pins maybe in the drum or pump.	Stop washer and check drum and filter.
Thumping sound.	Heavy wash loads may produce a thumping sound. This is usually normal.	If sound continues, washer is probably out of balance. Stop and redistribute wash load.
Vibrating noise.	Have all the transit bolts and packing been removed?	If not removed during installation, refer to installation guide for removing transit bolts.
	Are all the feet resting firmly on the ground?	Wash load may be unevenly distributed in drum. Stop washer and rearrange wash load.
Water leaks.	Inlet hoses or drain hose are loose at tap or washer.	Check and tighten hose connections.
	House drain pipes are clogged.	Unclog drain pipe. Contact plumber if necessary.
Oversudsing.		Too much detergent or unsuitable detergent may cause excessive foaming which may result in water leaks.
Water does not enter washer or it enters slowly.	Water supply is not adequate in area.	Check another tap in the inlet house.
	Water supply tap is not completely open.	Fully open tap.
	Water inlet hose is kinked.	Straighten hose.
	The filter of the water inlet is clogged.	Check the filter of the water inlet.
Water in the washer does not drain or drains slowly.	Drain hose is kinked or clogged.	Clean and straighten drain hose.
	The drain filter is clogged.	Clean the drain filter.

SYMPTOM	CAUSE	SOLUTION
Washer does not start.	Electronical power cord may not be plugged in or connection may be loose.	Make sure plug fits tightly in wall outlet.
	House fuse blown, circuit breaker tripped, or a power outage has occurred.	Reset circuit breaker or replace fuse. Do not increase fuse capacity. If problem is a circuit overload, have it corrected by a qualified electrician.
	Water supply tap is not turned on.	Turn on water supply tap.
Washer will not spin.	Check that the door is firmly shut.	Close the door and press the Start/Pause button. After pressing the Start/Pause button, it may take a few moments before the clothes washer begins to spin. The door must lock before spin can be achieved.
Door does not open.		Once started, the door can not be opened for safety reasons. Wait two minutes before opening the door to give the electric locking mechanism time to release.
Wash cycle time delayed.		The washing time may vary by the amount of laundry, water pressure, water temperature and other usage conditions. If the imbalance is detected, the wash time shall be increased.
The washer will stop during spinning . Spinning is insufficient.	PFE error due to much detergent and unsuitable detergent.	If PFE error mode was displayed on the control part, in order to solve this problem, first turn off the power of the washing machine, second turn on the power pressing Power button, third press SPIN button and last press Start/Pause button.

MESSAGE	ERROR	CAUSE	SOLUTION
IE	WATER INLET ERROR	The water tap is closed.	Open the water tap.
		The filter of the valve inlet is clogged.	Clean the filter of the valve inlet.
		The valve inlet is an inferior product or broke down.	Change the valve inlet.
		The water level sensor (sensor pressure) is an inferior product or broke down.	Change the water level sensor (sensor pressure).
		The drain motor works during water supply.	Change the drain motor.
		The PCB ASS'Y does not check the water level.	Change the PCB ASS'Y.
OE	DRAIN ERROR	The drain hose is kinked or clogged.	Clean and straighten the drain hose.
		The drain motor is an inferior product.	Change the drain motor.
		The valve inlet works during drain.	Change the valve inlet.
		The water level sensor is an inferior product.	Change the water level sensor.
		The PCB ASS'Y does not check the water level.	Change the PCB ASS'Y.
UE	UNBALANCE ERROR	The laundry is concentrated to one side of the drum during spin.	Rearrange the laundry.
LE	DOOR OPEN ERROR	The Start/Pause button is pressed while the door is opened.	Close the door.
		The switch door lock is an inferior product.	Change the switch door lock.
		The PCB ASS'Y does not check the door lock.	Change the PCB ASS'Y.
E2	OVERFLOW ERROR	The water is supplied continuously due to an inferior valve inlet.	Change the valve inlet.
		The valve inlet is normal, but the water level sensor (sensor pressure) is inferior.	Change the water level sensor (sensor pressure).
		The drain motor does not work. (The drain motor is an inferior product or broke down.)	Change the drain motor.
E4	LEAKAGE ERROR	Water leaks from the tub or the hose drain.	Check the leak of the tub or the hose drain. Then change the tub or the hose drain.
E5	HIGH VOLTAGE ERROR	The laundry is jammed between the gasket and the drum.	Rearrange the laundry.
		The PCB ASS'Y is an inferior product.	Change the PCB ASS'Y.
E6	EMG ERROR	The laundry is jammed between the gasket and the drum.	Rearrange the laundry.
		The motor is an inferior product.	Change the motor.
		The PCB ASS'Y is an inferior product.	Change the PCB ASS'Y.
E8	MOTOR ERROR	The motor is not normally connected.	Check the connector of the motor.
		The motor does not work. (The motor is an inferior product or broke down.)	Change the motor.
E9	SENSOR PRESSURE ERROR	The water level sensor is an inferior product.	Change the water level sensor.
H2	THERMISTOR WASH ERROR	The thermistor wash is an inferior product or broke down.	Change the thermistor wash.
		The thermistor wash is not connected normally.	Check the connector of the thermistor wash.
H4	THERMISTOR WASH OVERHEATING ERROR	The heater worked without the water in the tub.	Check the water level.
		The thermistor wash is an inferior product or broke down.	Change the thermistor wash.

MESSAGE	ERROR	CAUSE	SOLUTION
H5	WATER TEMP. ERROR	The water temp. is over 45°C in delicate & wool course. (The thermistor wash is an inferior product or broke down.)	Change the thermistor wash.
H6	HEATER WASH ERROR	The heater wash dose not work. (The water temp. doesn't rise over 2°C during 15min.)	Change the heater wash.
H8	HEATER WASH OVERHEATING ERROR	The heater worked without the water in the tub.	Check the water level and the heater wash.
lb	IGBT ERROR	The PCB ASS'Y is an inferior product.	Change the PCB ASS'Y.
PFE	PUMP FILTER ERROR	The drain pump filter is clogged.	Clean the drain pump filter.
		The drain pump does not work during spin.	Change the drain pump.
		The large amount of detergent was used.	Use the proper amount of detergent.
		The drain hose is placed higher than 1m above the floor.	Place the drain hose 1m below the floor.





**DAEWOO ELECTRONICS CORP.**

1-2, Jeo-dong 1(ii)-ga, Jung-gu, Seoul, Korea

C.P.O. BOX 8003 SEOUL, KOREA

TELEX: DWELEC K28177-8

CABLE: □AEWOOELEC"

PRINTED DATE: Sep. 2010

S/M NO. :



# ABOUT THIS MANUAL

VISION CREATIVE, INC.

서울 종로구 통의동  
6번지 이룸빌딩 4층

담 당	황의근 님
MODEL	DWD-F1011/F1012/F1013/F1211/F1212/F1213
	DWD-F1021/F1022/F1023/F1221/F1222/F1223
	DWD-F1031/F1032/F1033/F1231/F1232/F1233
	DWD-F1041/F1042/F1043/F1241/F1242/F1243
	DWD-F1051/F1052/F1053/F1251/F1252/F1253
	DWD-F1061/F1062/F1063/F1261/F1262/F1263
	DWD-F1071/F1072/F1073/F1271/F1272/F1273
	NFL-1065/NFL-1265 (S/M)
접 수	2008.10.29
<p>MEMO 총 64p</p> <p>09.10.29-전체수정_ 신규 51p</p> <p>09.10.30-17p, 27p, 46p 수정_ 신규 3p</p> <p>09.12.02-17p, 18p, 19p, 20p, 21p, 25p, 27p, 28p, 29p 수정_ 신규 9p</p> <p>09.12.03-표지, 17p, 27p 수정_ 신규 3p</p> <p>10.09.14-전체수정 (페이지 추가) _ 신규 64p</p> <p>10.09.17-1p, 20p, 21p, 22p, 23p, 24p, 25p, 26p, 27p, 33p, 34p, 35p, 38p, 40p, 42p, 43p, 44p, 50p, 51p, 52p, 53p, 54p, 55p, 60p, 61p 수정_ 신규 25p</p> <p>10.09.20-20p, 21p, 22p, 26p, 43p, 50p, 52p 수정_ 신규 7p</p> <p>10.09.30-33p 수정_ 신규 1p</p> <p>10.10.04-33p 수정_ 신규 1p</p>	

연락처

VISION 담당 방문수

TEL: 730-0660 FAX: 730-3788