

DRUM WASHING MACHINE SERVICE MANUAL

1. WHAT IS DRUM WASHING MACHINE?	1
2. WASHER SPECIFICATION	3
3. PARTS LIST BY ASS'Y	4
4. CONTROL PART FUNCTION SPECIFICATION	34
5. ELECTRONIC FIELD PARTS LIST AND SPECIFICATION	46
6. WIRING DIAGRAM	47

1. WHAT IS DRUM WASHING MACHINE?

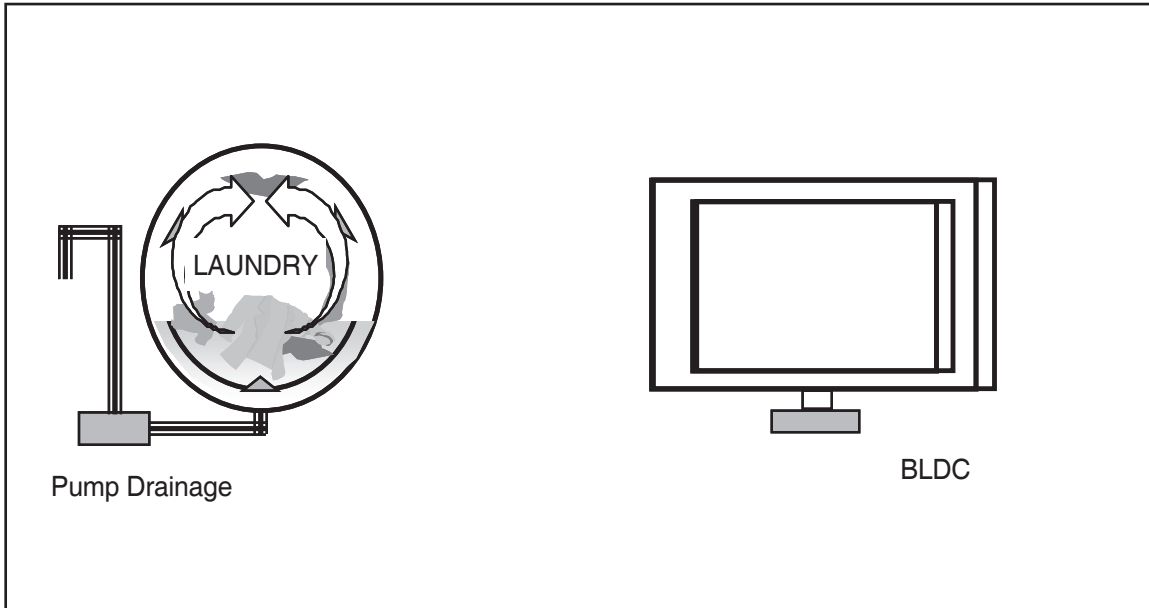
1. Drum Washing Machine

Water consumption is reduced by using the power of the laundry falling (free-fall) created when rotating the drum. With temperature control system, this drum washing machine saves energy and improves washing performance at the same time.

2. Key Features

- ◆ **Waist Care**
Designed by the waist, and the most comfortable angle eject into the laundry is convenient and easy to manipulate.
- ◆ **Star Drum**
Using Star Drum is able to show users higher Washing Performance and Minimal damage of laundry, water consumption.
- ◆ **Luxury Audio Dial**
Using the advanced Audio Dial is luxury design of exterior.
- ◆ **DD inverter motor**
The direct-drive type of which motor is directly connected to drum without an interim clutch, significantly reduces noise and vibration.
- ◆ **Self-Cleaning Course of Drum.**
Enables the machine to do Self-Cleaning of Drum.
- ◆ **Digital Condensing Dry System.**
Condensing Dry System with saveing energy.

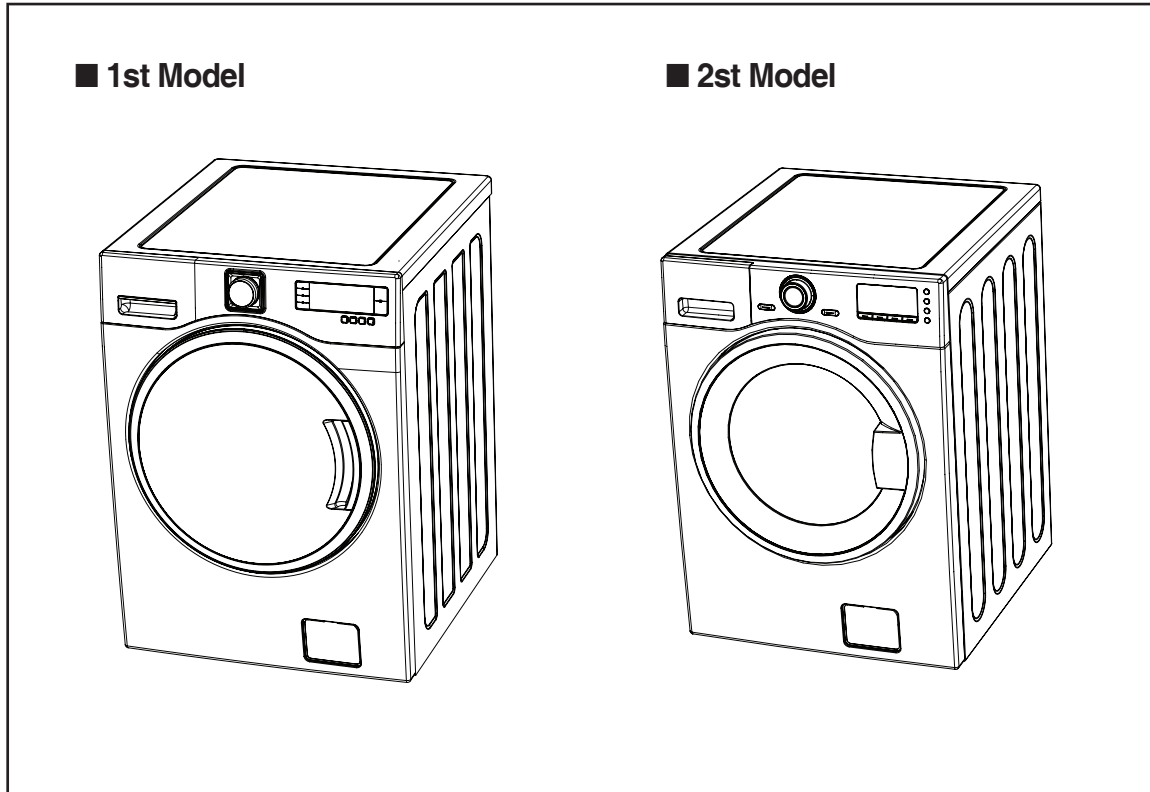
3. Power System



- DD Control: Direct drive type of direct connection between drum and motor
- Rotation by powerful high-performance BLDC motor

2 WASHER SPECIFICATION

1. Product Specification

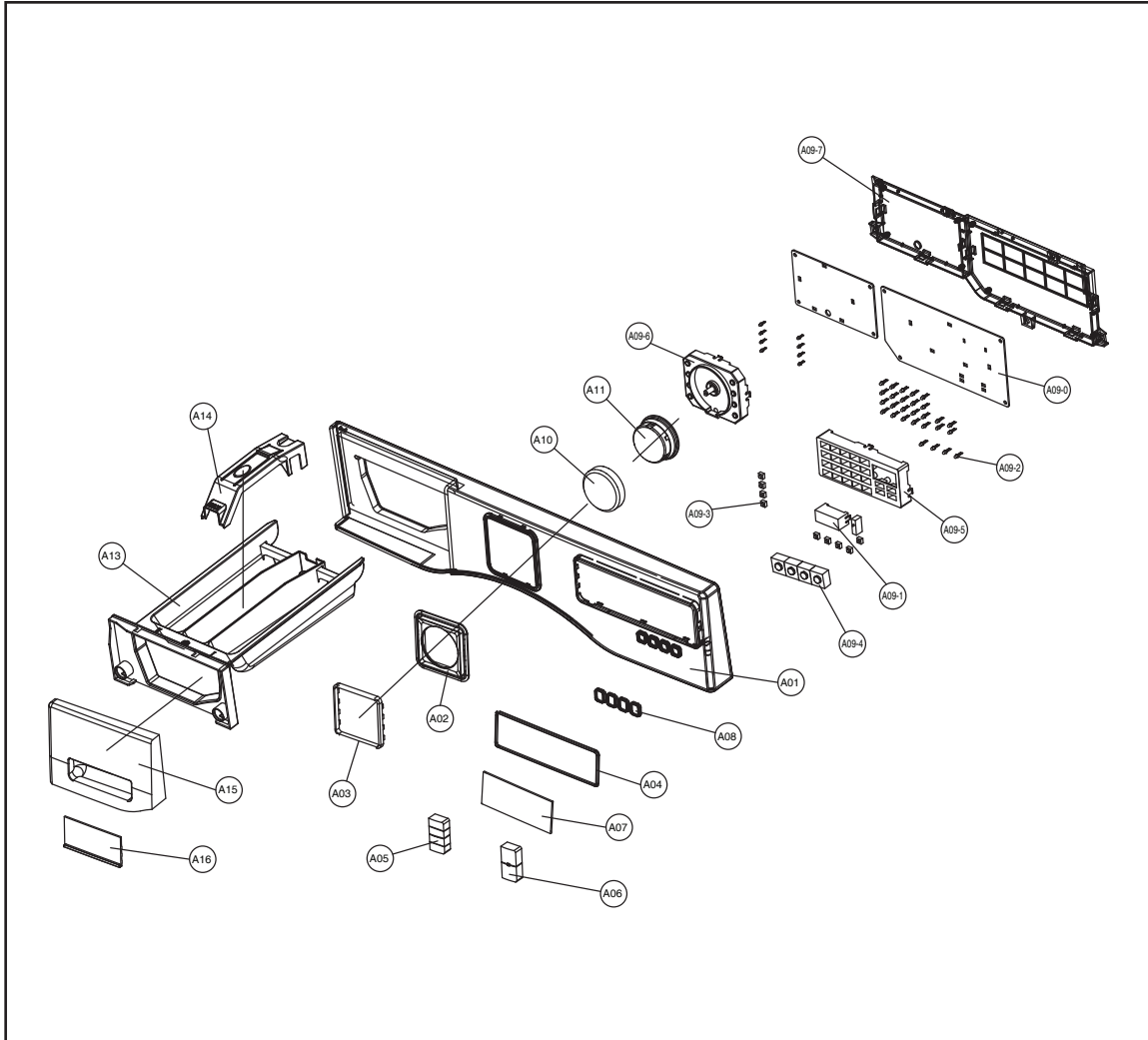


MODEL	DWC-LU1011/1211	DWD-LU1011/1211	DWC-LD1411/1611	DWD-LD1411/1611
Dimension (mm)	600 X 645 X 850			
Maximum mass of textile (kg)	9 Kg			
Unit Weight (net/gross)	78/82	71/75	76/80	69/73
Standard Water Consumption	65 ℓ			
Spin Speed (RPM)	DWC(DWD)-LU10XX : MAX 1000 DWC(DWD)-LU12XX : MAX 1200		DWC(DWD)-LD14XX : MAX 1400 DWC(DWD)-LD16XX : MAX 1600	
Operating Water Pressure	0.03MPa ~ 0.8MPa (0.3kgf/cm ² ~ 8kgf/cm ²)			

3. PARTS LIST BY ASS'Y

1. PANEL AS

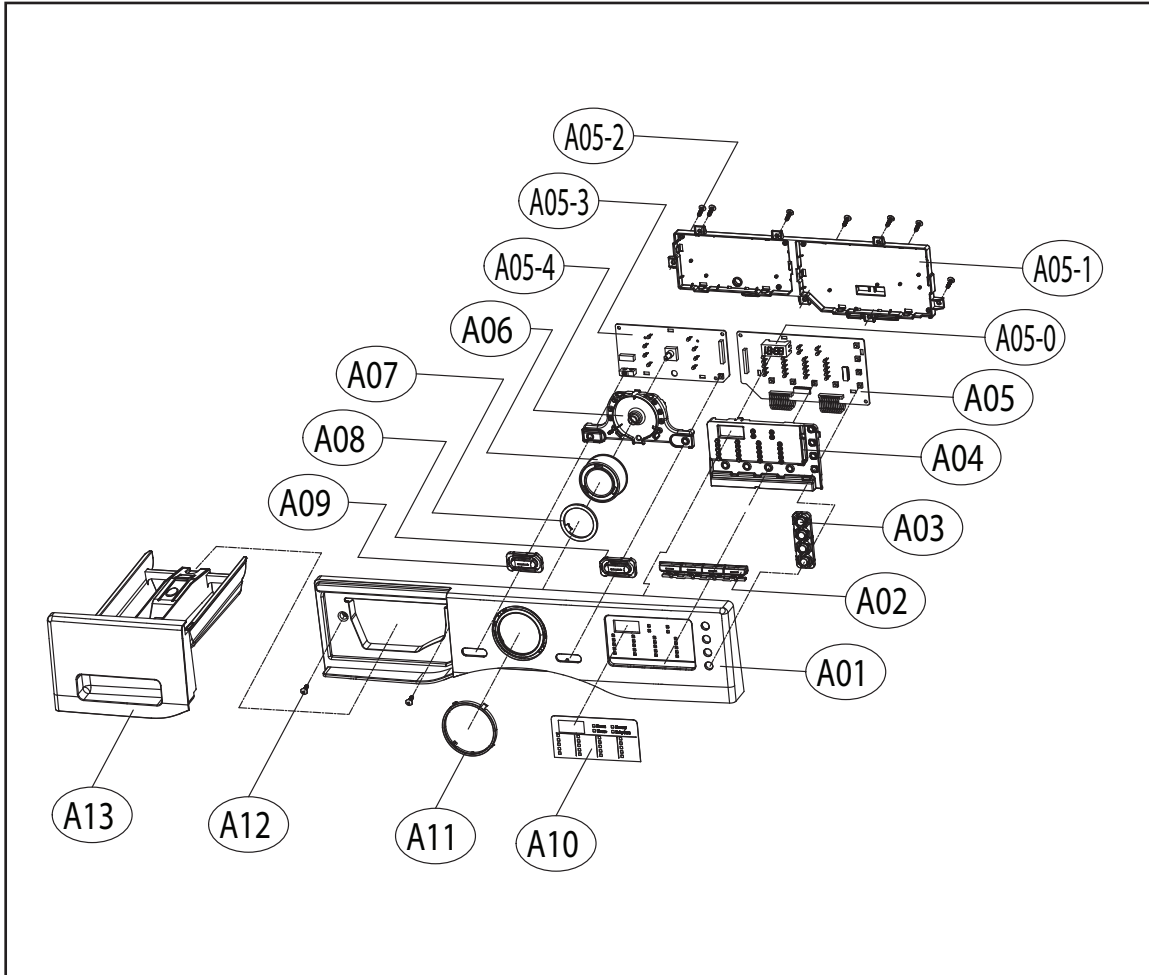
■ 1st Model



No.	PARTS NAME	CODE	SPECIFICATIONS	Q'TY	REMARK
A01	PANEL *F	36142T2000	ABS	1	
A02	DECORATOR WINDOW COURSE	3611696000	ABS	1	
A03	WINDOW COURSE	3615509200	C-LU1011	1	
A04	DECORATOR WINDOW DISPLAY	3611696100	ABS	1	
A05	BUTTON FUNCTION	3616644000	ABS	1	
A06	BUTTON PS	3616644100	ABS	1	
A07	WINDOW DISPLAY	3615509300	C-LU1011	1	
A08	BUTTON LED	3616644200	C-LU1011	1	
A09	PCB AS	PRPSSWL010	1ST FRONT PCB AS (LD10/LU10)	1	EC
	PCB AS	PRPSSWL011	1ST FRONT PCB AS (LD12/LU12)	1	EC
	PCB AS	PRPSSWL012	1ST FRONT PCB AS (LD14)	1	EC
	PCB AS	PRPSSWL013	1ST FRONT PCB AS (LD16)	1	EC
	PCB AS	PRPSSWL000	1ST FRONT PCB AS (LD10/LU10)	1	STANDBY 1W
	PCB AS	PRPSSWL001	1ST FRONT PCB AS (LD12/LU12)	1	STANDBY 1W
	PCB AS	PRPSSWL002	1ST FRONT PCB AS (LD14)	1	STANDBY 1W
	PCB AS	PRPSSWL003	1ST FRONT PCB AS (LD16)	1	STANDBY 1W
A09-0	PCB BOARD	3614347000	L SERIES FRONT PCB BOARD	1	
A09-1	CUSTOM LED	3613058300	C-LU1011	1	
A09-2	LED LAMP	DS0302WP--	9MM FORMING TYPE , D=3MM	36	
A09-3	SW TACT	5S50101402	2PIN, 6*6*5	9	
A09-4	HOLDER LED OPTION	3613058000	HIPS	1	
A09-5	HOLDER LED FUNCTION	3613058100	HIPS	1	
A09-6	HOLDER LED COURSE	3613058200	HIPS	1	
A09-7	CASE PCB F	36111T1N00	HIPS	1	
A10	BUTTON DIAL OUTER	3616643800	ABS	1	
A11	BUTTON DIAL INNER	3616643900	ABS	1	
A12	CASE DETERGENT AS	36111T1P00		1	
A13	CASE DETERGENT	36111T1J00	PP	1	
A14	CAP SOFTENER	3610916600	PP	1	
A15	CASE HANDLE	3611149200	ABS	1	
A16	DECORATOR CASE HANDLE	3611696200	ABS	1	

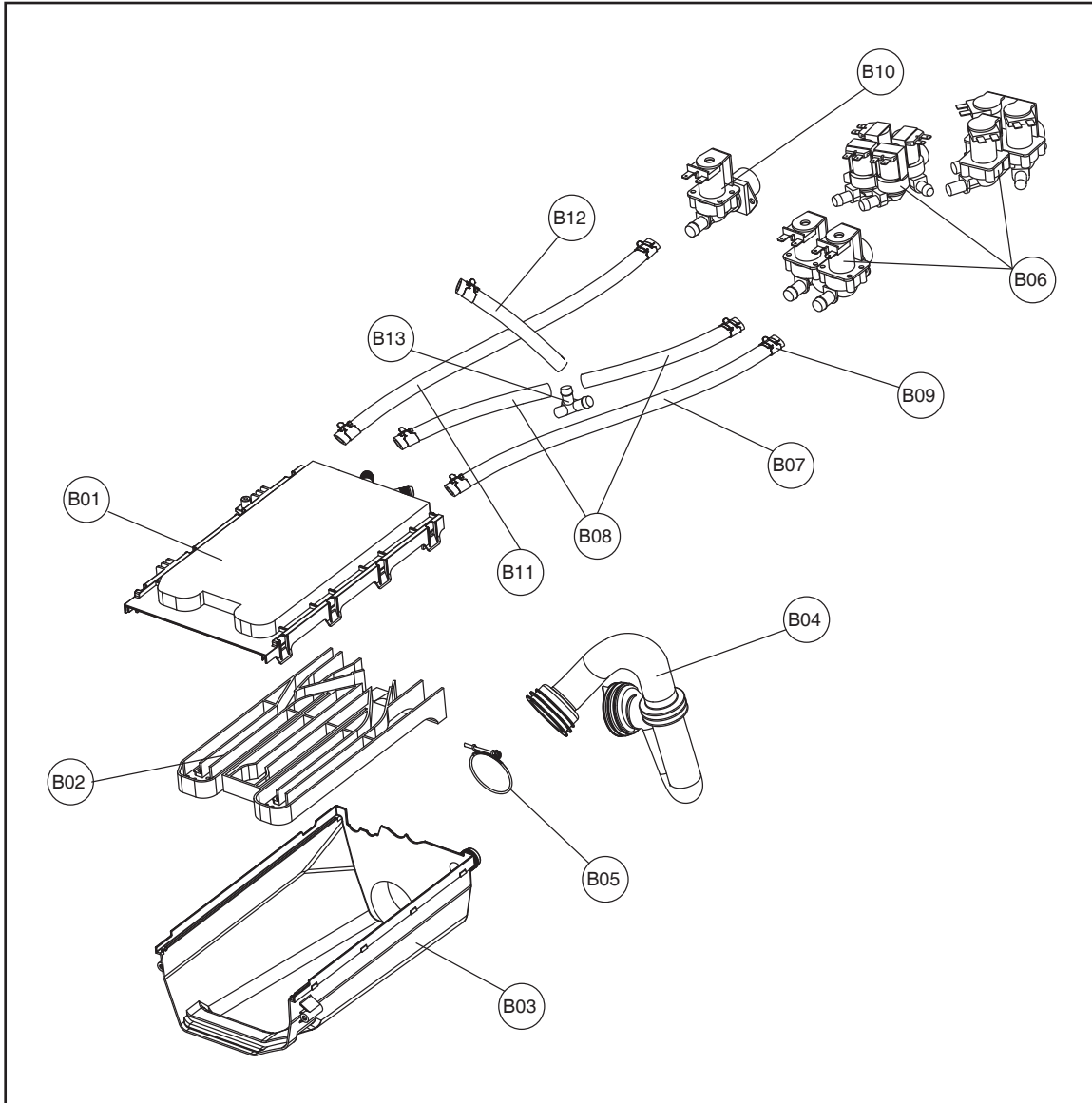
2. PANEL F AS

■ 2nd Model



No.	PARTS NAME	CODE	SPECIFICATIONS	Q'TY	REMARK
A01	PANEL FRONT	36142T2100	ABS	2	4x16 SUS 430
A02	BUTTON FUNCTION	3616644400	ABS	1	
A03	BUTTON OPTION	3616644700	ABS	1	
A04	HOLDER LED FUNCTION	3613058500	HIPS	1	
A05	PCB AS	PRPSSWL060	2nd FRONT PCB AS (LD10/LU10)	1	EC
	PCB AS	PRPSSWL061	2nd FRONT PCB AS (LD12/LU12)	1	EC
	PCB AS	PRPSSWL062	2nd FRONT PCB AS (LD14)	1	EC
	PCB AS	PRPSSWL063	2nd FRONT PCB AS (LD16)	1	EC
	PCB AS	PRPSSWL050	2nd FRONT PCB AS (LD10/LU10)	1	STANDBY1W
	PCB AS	PRPSSWL051	2nd FRONT PCB AS (LD12/LU12)	1	STANDBY1W
	PCB AS	PRPSSWL052	2nd FRONT PCB AS (LD14)	1	STANDBY1W
	PCB AS	PRPSSWL053	2nd FRONT PCB AS (LD16)	1	STANDBY1W
A05-0	HOLDER LED DISPLAY	3613058600	ABS	1	
A05-1	CASE PCB F	36111T1R00	HIPS	1	
A05-2	SCREW TAPPING	7122401611	T2S TRS	1	4x16 MFZN
A05-3	PCB BOARD F	3614348500	FR-1	1	
A05-4	HOLDER LED COURSE	3613058400	HIPS	1	
A06	BUTTON DIAL	3616644300	ABS	1	
A07	DECORATOR BUTTON DIAL	3611696400	ABS	1	CHROMIUM CILDING
A08	BUTTON START	3616644600	ABS	1	
A09	BUTTON POWER	3616644500	ABS	1	
A10	DECORATOR FILM	3611696500	P.C FILM	1	
A11	WINDOW COURSE	3615509400	TR-ABS	1	
A12	SCREW TAPPING	7122401608	T2S TRS	1	
A13	CASE DETERGENT AS	36111T1P10	PP	1	

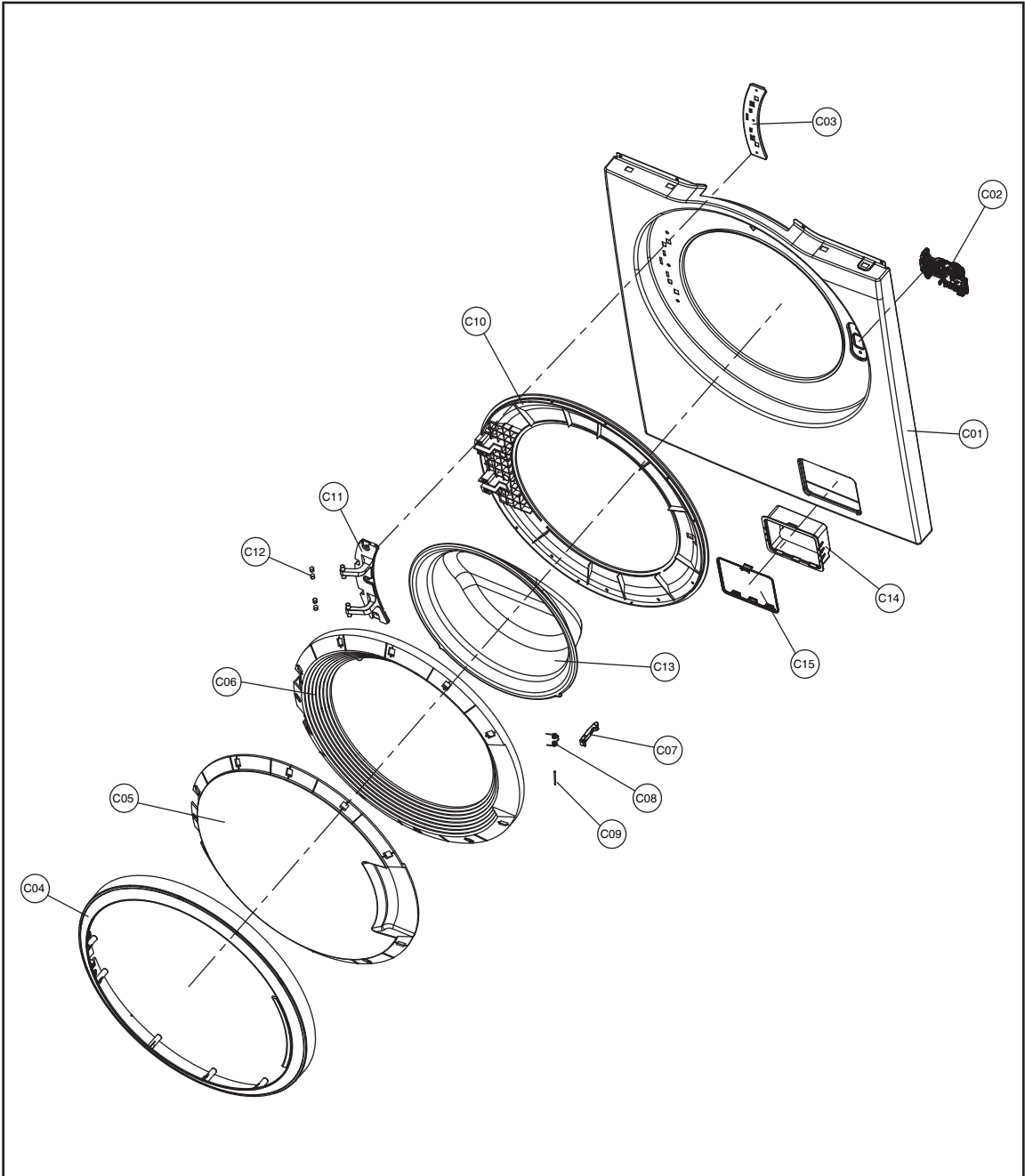
3. INLET BOX AS



No.	PARTS NAME	CODE	SPECIFICATIONS	Q'TY	REMARK
B01	NOZZLE *T	3618111100	PP	1	
B02	NOZZLE *U	3618111000	PP	1	
B03	BOX INLET	3610526500	PP	1	
B04	HOSE INLET	3613274600	EPDM	1	
B05	CLAMP AS	3611203200	ID=60, WIRE+GUIDE+BOLT+NUT	1	
B06	VALVE INLET	36154L3A00	220-240V.VDE.BITRON.4WAY V1:DRY V2:STEAM	1	
	VALVE INLET	36154L3B00	220-240V.VDE.BITRON.3WAY V2:STEAM	1	
	VALVE INLET	36154L3D10	120V.BITRON.4WAY V1:DRY V2:STEAM	1	
	VALVE INLET	3615414900	220-240V 2-WAY PP/BRACKET	1	
	VALVE INLET	3615415050	220~240V,3WAY,RINSE GUIDE,PP/BRACKET	1	
	VALVE INLET	3615415070	100~130V,3WAY,RINSE GUIDE,PP/BRACKET	1	
	VALVE INLET	3615416820	220-240V.VDE.BITRON.2WAY	1	
	VALVE INLET	3615416821	220-240V.VDE.BITRON.2WAY + DR TECH INSPECTION COST	1	
	VALVE INLET	3615416720	220-240V60HZ.VDE.BITRON.1WAY	1	
B07	VALVE INLET	3615416970	UL 220-240V,BITRON 3WAY V1,V3 WITH CONTROL PC	1	
	HOSE WATER SUPPLY	3613270900	EPDM ID9.5 OD14.5, WASHING	1	
B08	HOSE WATER SUPPLY	3613270900	EPDM ID9.5 OD14.5, PRE.WASH	2	
B09	CLAMP HOSE	3611205800	100H, ID=13.8 W=10.0 0.9T	10	
B10	VALVE INLET	3615414800	220-240V 1-WAY HOT PP-BRACKET	1	
	VALVE INLET	3615414820	220-240V 1-WAY HOT PP-BRACKET 180	1	
	VALVE INLET	3615415700	100-130 1-WAY HOT PP-BRACKET	1	
B11	HOSE WATER SUPPLY	3613270900	EPDM ID9.5 OD14.5, HOT	1	
B12	HOSE WATER SUPPLY	3613270900	EPDM ID9.5 OD14.5, STEAM	1	
B13	PIPE JOINT I	3614426000	PP	1	
	PIPE JOINT(HOSE INLET)	3614413300	PP , T-type	1	
B14	Unit Steam AS	36189M2U00	L-SERIES STEAM UNIT 900W	1	option

4. CABINET F ASSY

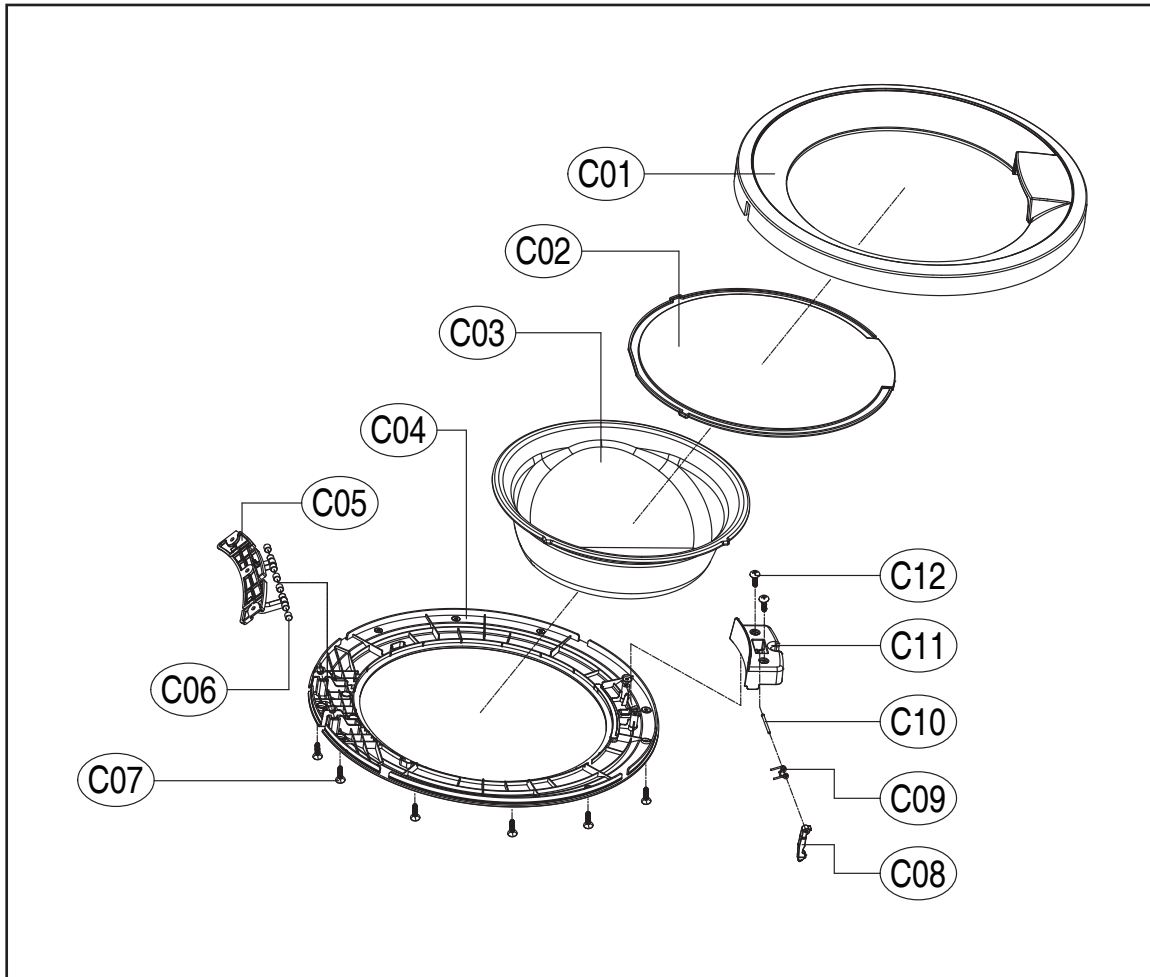
■ 1st Model



No.	PARTS NAME	CODE	SPECIFICATIONS	Q'TY	REMARK
C01	CABINET *F	3610814000	SECD 0.8T	1	
C02	SWITCH DOOR LOCK	3619047230	DL-S2, 250V16A, BITRON, VE-TYPE	1	
	SWITCH DOOR LOCK	3619047210	DL-S1, 125V16A, BITRON	1	
C03	PLATE HINGE SUPPORT	3614539800	SPG 0.8T, DWD-T110R	1	
C04	FRAME DOOR *O	36122UD800	ABS	1	
C05	PROTECTOR GLASS	3618345500	ABS	1	
C06	DECORATOR DOOR *O	3611695900	ABS	1	
C07	HOOK DOOR	3613101700	ALDC	1	
C08	SPRING HOOK	3615115400	SUS304,	1	
C09	HOOK SHAFT	3613101000	SUS, D=3.0	1	
C10	FRAME DOOR *I	36122UD600	PP	1	
C11	HINGE DOOR	3612903800	AL, DWD-T110R	1	
C12	CAP HINGE DOOR	3610916500	POM	4	
C13	DOOR GLASS	361A113300	GLASS	1	
C14	CASE PUMP AS	36111T1K10	CASE PUMP(PP)+PAD	1	
C15	COVER PUMP	3611431500	ABS	1	

5. DOOR AS

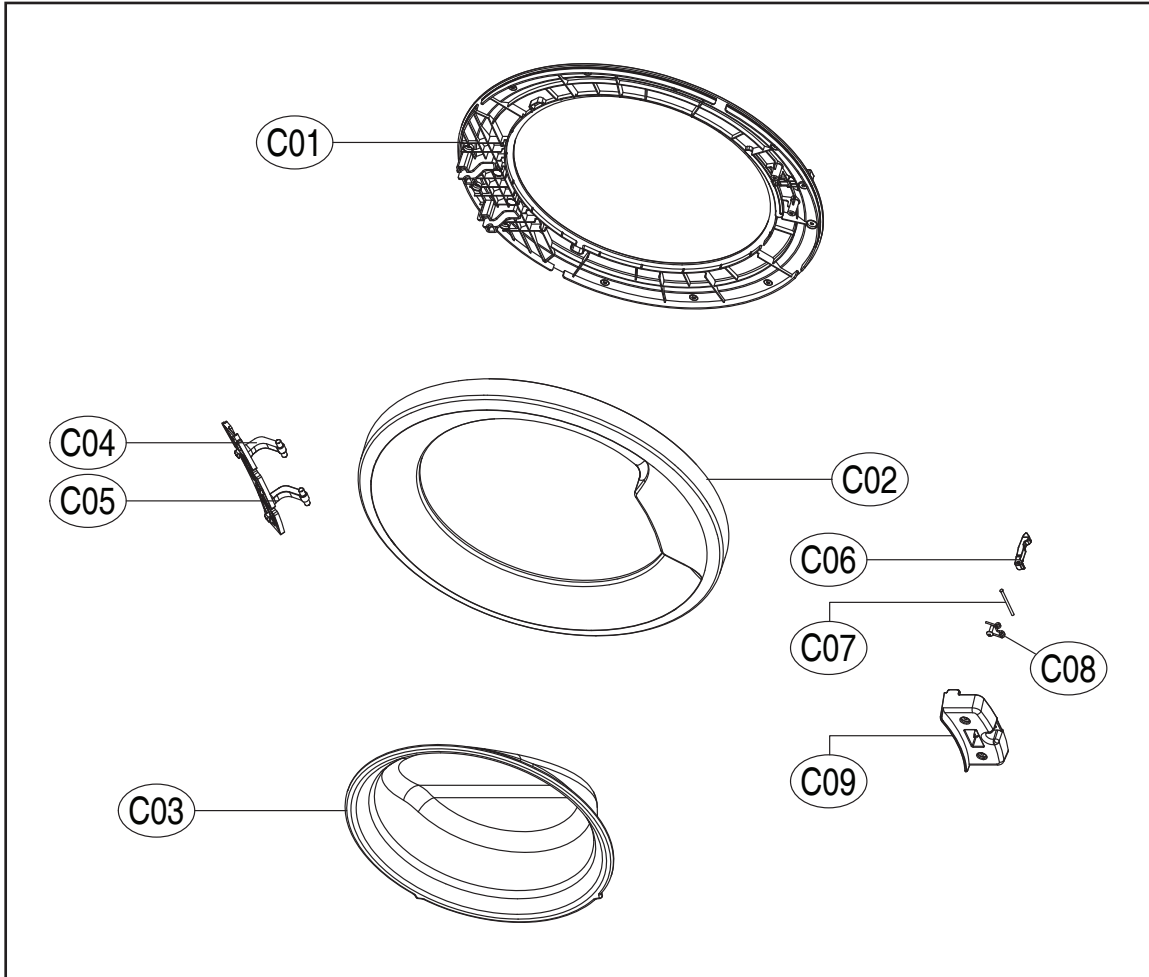
■ 2nd Model



No.	PARTS NAME	CODE	SPECIFICATIONS	Q'TY	REMARK
C01	FRAME DOOR 0	36122UDC00	ABS	1	
C02	PROTECTOR GLASS	3618345600	TR-ABS	1	
C03	DOOR GLASS	361A113300	GLASS	1	
C04	FRAME DOOR 1	36122UDD00	PP	1	
C05	HINGE DOOR	3612903800	ALDC	1	
C06	CAP HINGE DOOR	3610916500	POM	4	
C07	SCREW TAPPING	7115402029	T1S FLT	14	4*20 STS430 NATURE
C08	HOOK DOOR	3613101700	ALDC	1	
C09	SPRING HOOK	3615115400	SUS	1	
C10	HOOK SHAFT	36131010001	SUS	1	
C11	CASE SPRING DOOR	3611149300	ABS	1	
C12	SCREW TAPPING	7122401611	T2STRS	2	4*6 MFZN

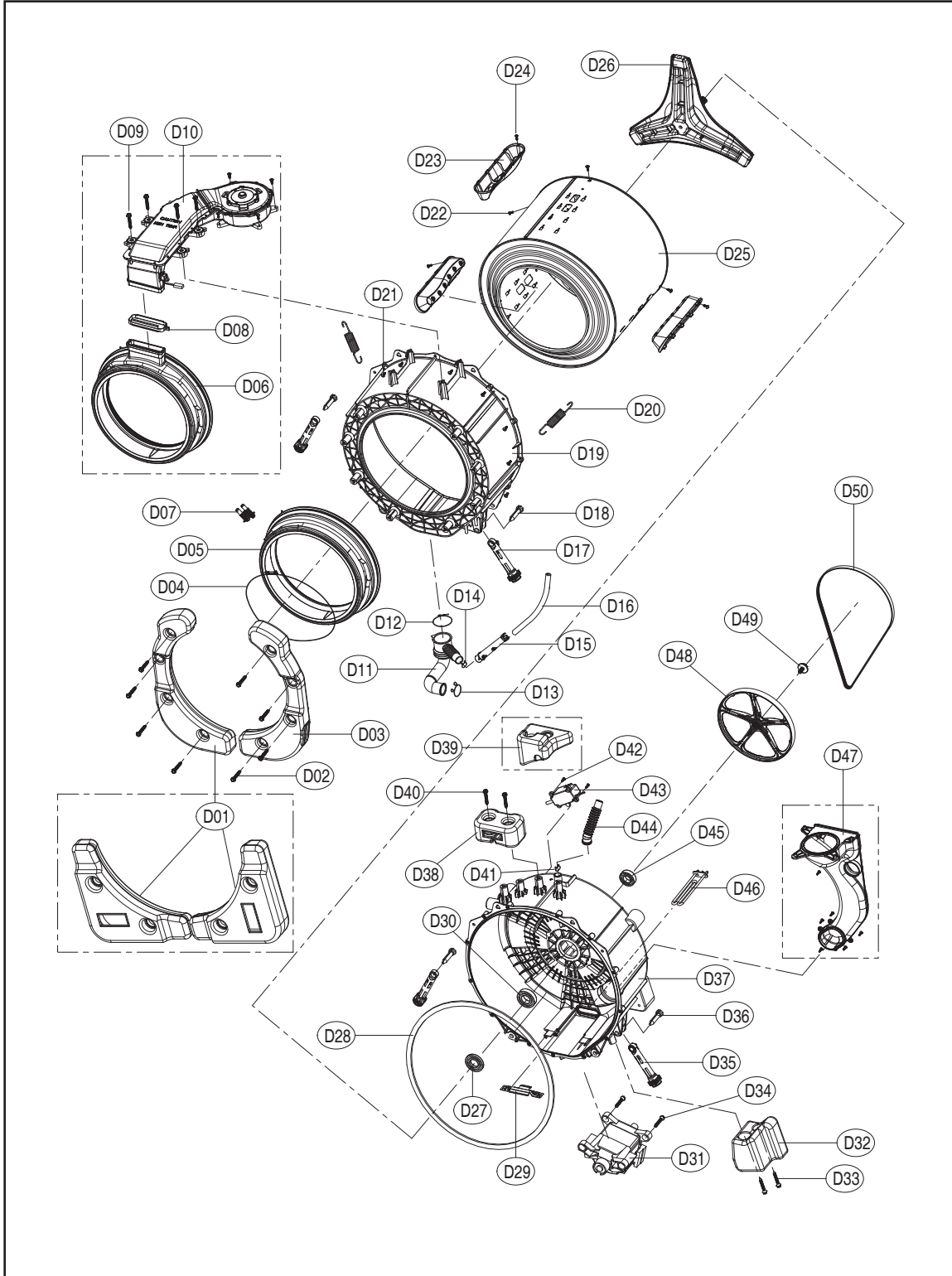
DOOR AS

■ 3rd Model (Wash Only)



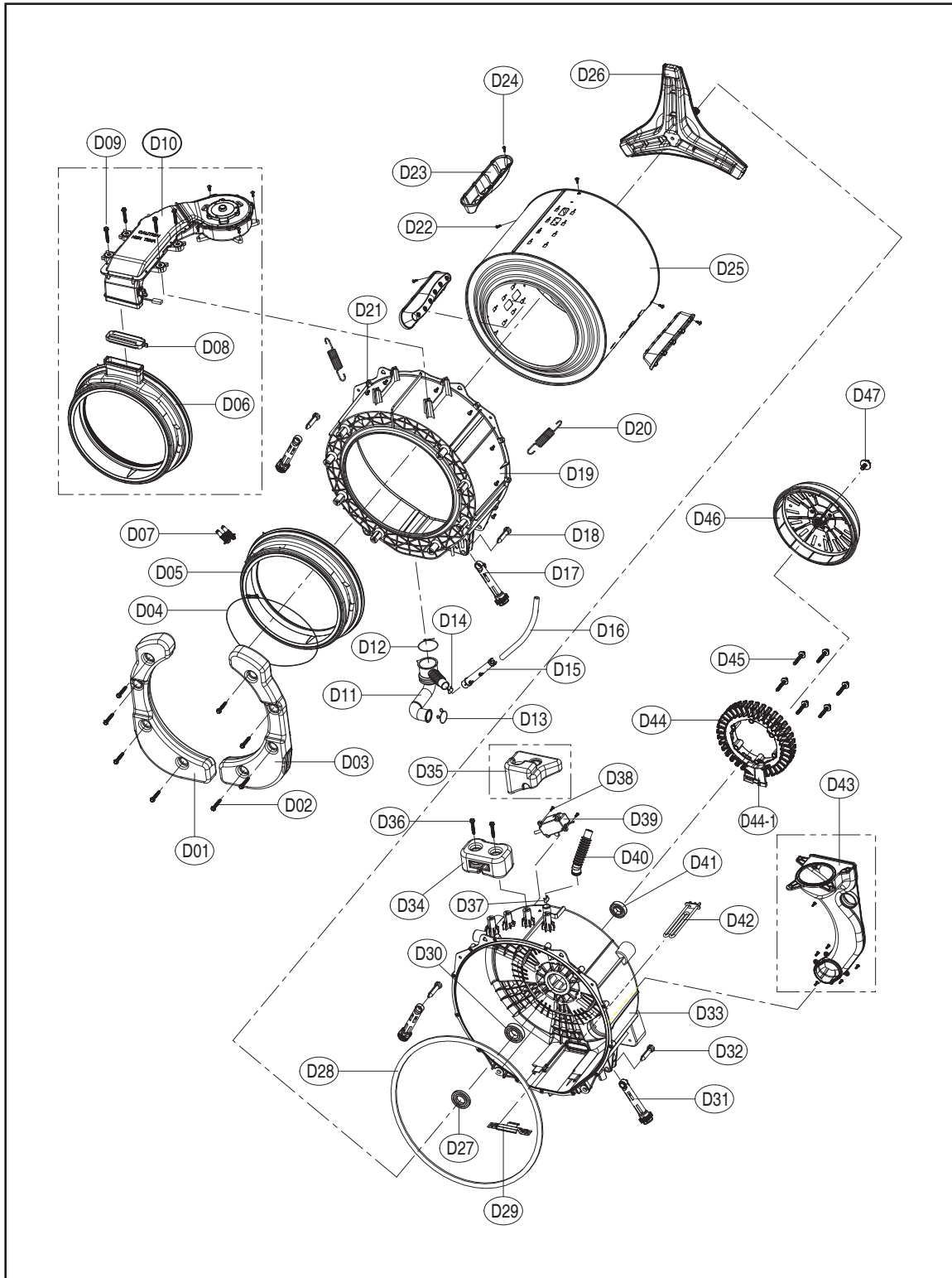
No.	PARTS NAME	CODE	SPECIFICATIONS	Q'TY	REMARK
C01	FRAME DOOR I	36122UDD00	PP	1	
C02	FRAME DOOR O	36122UDW00	ABS	1	
C03	DOOR GLASS	361A113300	GLASS	1	
C04	HINGE DOOR	3612903800	ALDC	1	
C05	CAP HINGE DOOR	3610916500	POM	4	
C06	HOOK DOOR	3613101700	ALDC	1	
C07	HOOK SHAFT	3613101000	SUS	1	
C08	SPRING HOOK	3615115400	SUS	1	
C09	CASE SPRING DOOR	3611149300	ABS	1	
-	SCREW TAPPING	7115402029	T1S FLT	13	4*20 STS430 NATYRE
-	SCREW TAPPING	7122401611	T2STRS	2	4*6 MFZN
-	DOOR AS	36117ADM00	D-LU10,WASHER ONLY	1	C1+~+C9+SCREW TAPPING

6. TUB ASSY(UNIVERSAL)



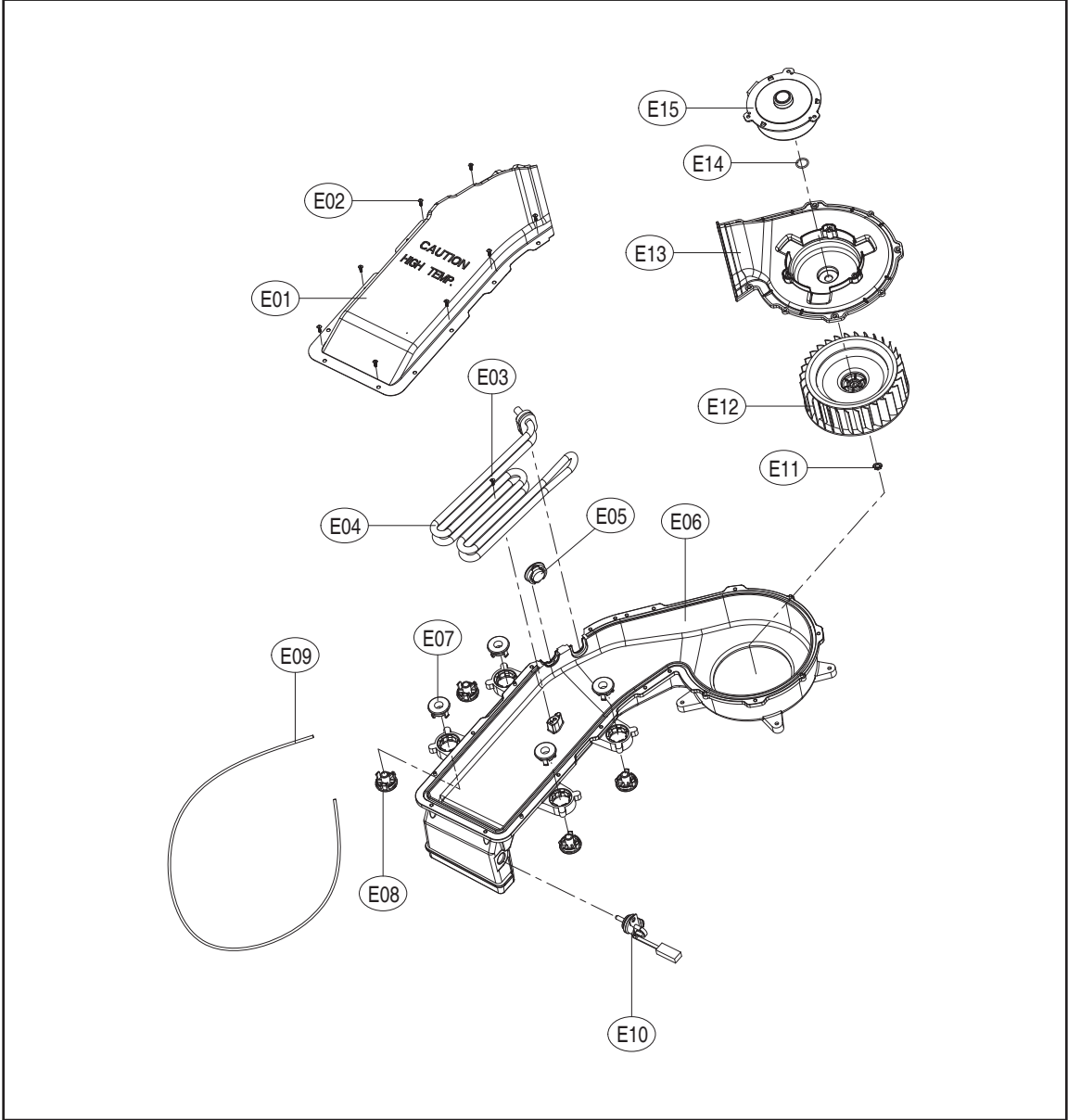
No.	PARTS NAME	CODE	SPECIFICATIONS	Q'TY	REMARK
D01	BALANCER WEIGHT L	3616110600	PP, D-LU1011, 6.6KG	1	
	BALANCER WEIGHT L	3616112000	D-LT, 4.5KG	2	T15
D02	SPECIAL SCREW	3616029400	SWCH 8.5X30	8	
D03	BALANCER WEIGHT R	3616110500	PP, D-LU1011, 6.6KG	1	
D04	CLAMP GASKET AS	3611207000	C-LU1011	1	
D05	GASKET	3612325300	EPDM , WASH , D-LU1011	1	FOR WASH
D06	GASKET	3612325400	EPDM , DRY , C-LU1011	1	FOR DRY
D07	NOZZLE SHOWER	3618111200	PP	1	
D08	CLAMP GASKET BUSHING	3611206800	GI 1.2T	1	FOR DRY
D09	SPECIAL SCREW	3616029810	SWCH 6.5X45	4	
D10	DUCT B AS	3610DUTL00	C-L E	1	FOR DRY
D11	HOSE DRAIN *I	3613275200	EPDM D-LU1011	1	
D12	CLAMP AS	3611203210	ID=61, WIRE+GUIDE+BOLT, GS	1	
D13	CLAMP HOSE	3611204700	D26	1	
D14	CLAMP HOSE	3611201401	HSW3,YW,D2.6,ID36,W44.5	1	
D15	AIR TRAP	361A500101	PP	1	
D16	HOSE AIR(PRESSURE)	3613266930	ID=4,OD=8, L=680MM(L-SERIES)	1	
D17	DAMPER FRICTION	361A700110	70N AKS ST=170-260 DL=197.5 LOW NOISE	2	
D18	DAMPER PIN	361A700200	AKS D=14.5	2	
D19	TUB *F (FRONT)	3618830000	FRPP, C-LU1011	1	
D20	SPRING SUSPENSION	3615116800	KGF	2	
D21	SPECIAL SCREW	3616029800	SWCH 6.5X30	14	
D22	SPECIAL SCREW	3616029500	SUS430 8*25	3	
D23	LIFTER WASH	361A401500	PP,1PIECE,TWIST	3	
D24	SCREW TAPPING	7122401408	T2S TRS 4X14 SUS,STS	3	
D25	DRUM SUB AS	3617012600	D-LU1011	1	
D26	SPIDER AS	361A301200	D-LU1011	1	
D27	WATER SEAL	361A600100	NBR	1	
D28	SEALING TUB	3612321601	EPDM L1600(-0~ +10)	1	
D29	FIXTURE HEATER	3612006700	SUS	1	
D30	BEARING INNER	3616303100	6206Z	1	
D31	UNIT MOTOR UNIVERSAL	36189L4H10	DC220/50 G&J 2P PI340 45T(CCA)	1	
D32	BALANCER WEIGHT LOWER	3616110300	PP, D-LU1011, 3.5KG	1	OPTION
D33	SPECIAL SCREW	3616029400	SWCH 8.5X30	2	OPTION
D34	SPECIAL SCREW	3616062800	SWRCH18A 7.4*25.5	2	
D35	DAMPER FRICTION	361A700130	60N AKS ST=170-260 DL=197.5 LOW NOISE	2	
D36	DAMPER PIN	361A700200	AKS D=14.5	2	
D37	TUB REAR AS	36100T1400	D-LU1011	1	
D38	BALANCER WEIGHT T	3616110400	PP, C-LU1011, 2.48KG	1	OPTION
D39	BALANCER WEIGHT T(WASH)	3616110700	PP, D-LU1011, 2.48KG	1	OPTION
D40	SPECIAL SCREW	3616029400	SWCH 8.5X30	2	OPTION
D41	CLAMP HOSE	3611204700	D26	1	
D42	SPECIAL SCREW	3616007400	T2S TRS 4X10+24	2	OPTION
D43	UNIT BUBBLE PUMP AS	36189L4120	220-240V DBK-240DB RP CHSHION	1	OPTION
D44	HOSE VENT	3613267100	EPDM	1	
D45	BEARING OUTER	3616303200	6205Z	1	
D46	HEATER WASH	3612803700	230V 2000W.1R5A721002.IRCA FUSE 2EA	1	
D47	PIPE DUCT AS	3614414002	C-L PIPE DUCT+HOSE+CLAMP	1	FOR DRY
D48	PULLEY	3618434100	ALDC	1	
D49	SPECIAL BOLT AS	3616029600	SWCH 10*30,F/L BOLT S.P/W SEAL LOCK	1	
D50	BELT V	3616591120	GATES 4PJ1175 BUTADIENE RUBBER	1	

7. TUB ASSY(DD MOTOR)



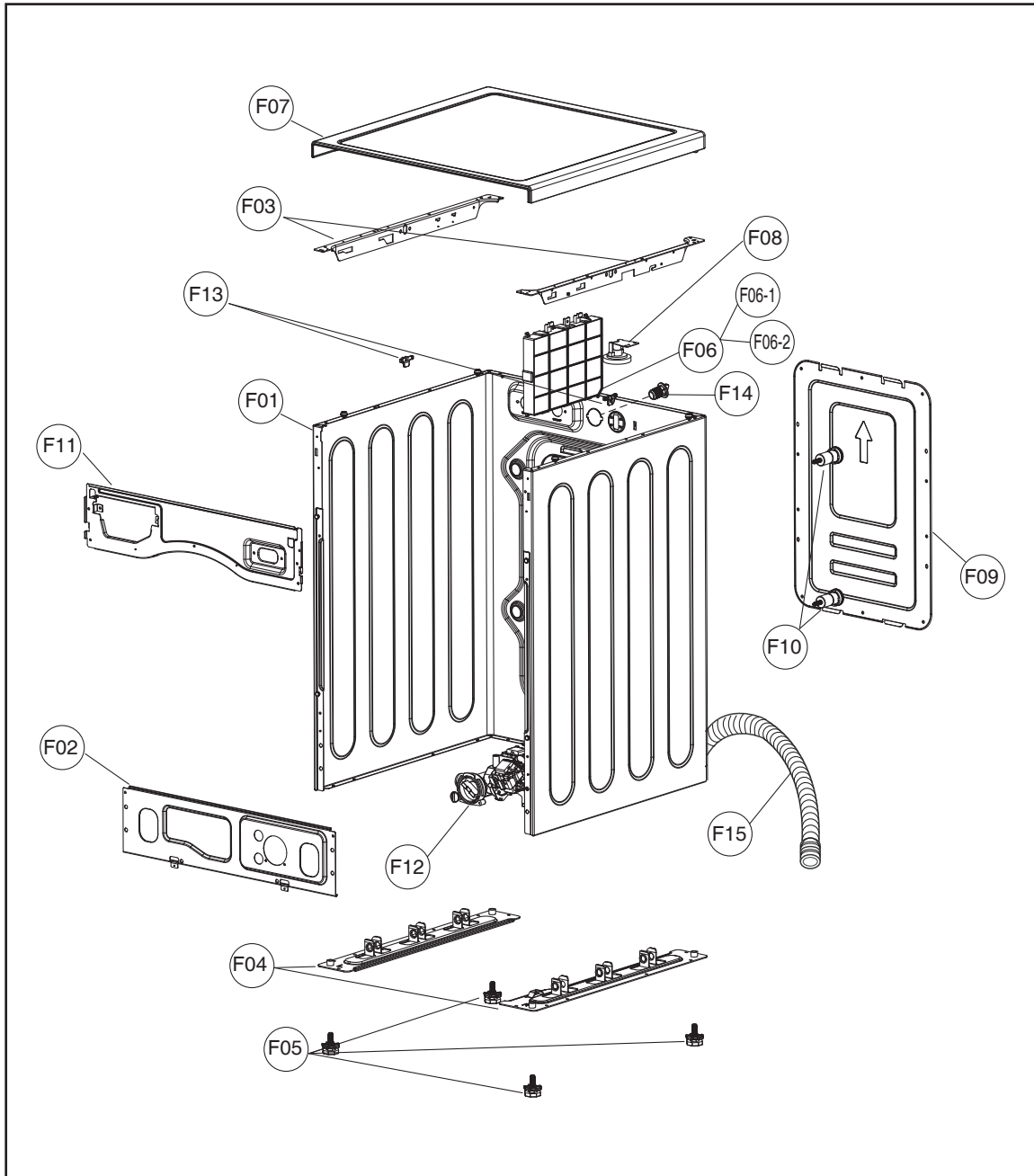
No.	PARTS NAME	CODE	SPECIFICATIONS	Q'TY	REMARK
D01	BALANCER WEIGHT L	3616110600	PP, D-LU1011, 6.6KG	1	
D02	SPECIAL SCREW	3616029400	SWCH 8.5X30	8	
D03	BALANCER WEIGHT R	3616110500	PP, D-LU1011, 6.6KG	1	
D04	CLAMP GASKET AS	3611207000	C-LU1011	1	
D05	GASKET	3612325300	EPDM , WASH , D-LU1011	1	FOR WASH
D06	GASKET	3612325400	EPDM , DRY , C-LU1011	1	FOR DRY
D07	NOZZLE SHOWER	3618111200	PP	1	
D08	CLAMP GASKET BUSHING	3611206800	GI 1.2T	1	FOR DRY
D09	SPECIAL SCREW	3616029810	SWCH 6.5X45	4	
D10	DUCT B AS	3610DUTL00	C-L E	1	FOR DRY
D11	HOSE DRAIN *I	3613275200	EPDM D-LU1011	1	
D12	CLAMP AS	3611203210	ID=61, WIRE+GUIDE+BOLT, GS	1	
D13	CLAMP HOSE	3611204700	D26	1	
D14	CLAMP HOSE	3611201401	HSW3,YW,D2.6,ID36,W44.5	1	
D15	AIR TRAP	361A500101	PP	1	
D16	HOSE AIR(PRESSURE)	3613266930	ID=4,OD=8, L=680MM(L-SERIES)	1	
D17	DAMPER FRICTION	361A700110	70N AKS ST=170-260 DL=197.5 LOW NOISE	2	
D18	DAMPER PIN	361A700200	AKS D=14.5	2	
D19	TUB FRONT	3618830000	FRPP, C-LU1011	1	
D20	SPRING SUSPENSION	3615116800	KGF	2	
D21	SPECIAL SCREW	3616029800	SWCH 6.5X30	14	
D22	SPECIAL SCREW	3616029500	SUS430 8*25	3	
D23	LIFTER WASH	361A401300	PP,1PIECE,TWIST	3	
D24	SCREW TAPPING	7122401408	T2S TRS 4X14 SUS,STS	3	
D25	DRUM AS	3617012500	D-LU1011	1	
D26	SPIDER AS	361A301200	D-LU1011	1	
D27	WATER SEAL	361A600100	NBR	1	
D28	SEALING TUB	3612321601	EPDM L1600(-0~ +10)	1	
D29	FIXTURE HEATER	3612006700	SUS	1	
D30	BEARING INNER	3616303100	6206Z	1	
D31	DAMPER FRICTION	361A700130	60N AKS ST=170-260 DL=197.5 LOW NOISE	2	
D32	DAMPER PIN	361A700200	AKS D=14.5	2	
D33	TUB REAR AS	36100T1400	D-LU1011	1	
D33-1	TUB REAR	3618830100	FRPP, C-LU1011	1	
D33-2	BEARING HOUSING	3616305000	ALDC, D-LU1011	1	
D34	BALANCER WEIGHT T	3616110400	PP, C-LU1011, 2.48KG	1	FOR DRY
D35	BALANCER WEIGHT T(WASH)	3616110700	PP, D-LU1011, 2.48KG	1	FOR WASH
D36	SPECIAL SCREW	3616029400	SWCH 8.5X30	2	
D37	CLAMP HOSE	3611204700	D26	1	
D38	SPECIAL SCREW	3616007400	T2S TRS 4X10+24	2	OPTION
D39	UNIT BUBBLE GENERATOR	36189L4177	HIGH,PAD B,BL/WH,320,RP4,GUIDE O,SPONGE 200	1	OPTION
D40	HOSE VENT	3613267100	EPDM	1	
D41	BEARING OUTER	3616303200	6205Z	1	
D42	HEATER WASH	3612802400	220V 2KW.1R0A721001.RW8TF.IRCA,NPB	1	
	HEATER WASH	3612802420	240V 2KW.1R0A721003.RW8TF.IRCA	1	
	HEATER WASH	3612802440	120V 1KW.1R0A721005.RW8TF1PE.IRCA	1	
	HEATER WASH	3612803700	230V 2000W.1R5A721002.IRCA FUSE 2EA	1	
D43	PIPE DUCT AS	3614414001	C-L PIPE DUCT+HOSE+CLAMP	1	
D44	UNIT STATOR BLDC	36189L6200	AL,30T(28T),NMT	1	~20091211(changed)
	UNIT STATOR BLDC	36189L620A	AL,DON1300W 30T 36POLE,NMT,PBT	1	20091211~
D44-1	HALL IC HOLDER AS	3616D01000	DRUM STATOR PCB HOLDER AS(SVC),NMT	1	
D45	SPECIAL BOLT AS	3616063400	SWCH M8 + SILOCK	6	
D46	UNIT ROTOR BLDC	36189L6300	L'SERIES, NMT	1	~20091211(changed)
	UNIT ROTOR BLDC	36189L6300	DON1300W SR-FERRITE12,30~32T,NMT	1	20091211~
D47	SPECIAL BOLT AS	3616029620	SWCH 10*30 S/W P/W NON-SEAL LOCK	1	

8. DUCT B (for dry model)



No.	PARTS NAME	CODE	SPECIFICATIONS	Q'TY	REMARK
E01	DUCT B UPPER AS	361A202401	C-L DUCT B UPPER+GASKET SEAL	1	
E02	SCREW TAPPING	7122401411	T2S TRS 4X14 MFZN	8	
E03	SCREW TAPPING	7112401208	T1 TRS 4X12 SUS	1	
E04	HEATER DRY	3612801400	230V 2.1KW 25.19OHM 6.1W/SQ INCOLOY800 1R1A034002	1	
E05	PACKING THERMOSTAT	3614009900	SILICON, DWD-100DR	1	
E05	SWITCH THERMOSTAT	3619046500	ON120°C OFF150°C 230V 15A VDE	1	
E06	DUCT B LOWER	361A202500	ALDC C-LU1011	1	
E07	BUSHING UPPER	3610703800	POM C-LU1011	4	
E08	BUSHING LOWER	3610703900	POM C-LU1011	4	
E09	GASKET SEAL A	3612325700	EPDM FOAM, D=5, L=1293	1	
E10	PACKING RUBBER	3614009800	SILICON, DWD-100DR	1	
E10	THERMISTOR DRY	361AAAAD00	C-LD/LU,L=200,R40=26.065K,R90=4.4278K	1	
E11	NUT HEX	3616032100	M6*1.0P,CCW	1	
E12	FAN AS	3611886400	GFPP30% , C-LU1011	1	
E13	COVER DUCT	3611431400	GFPP30% C-LU1011	1	
E14	RING O	3614603410	DWD-100DR,NBR,ID=7.6,OD=13.6	1	
E15	UNIT FAN MOTOR	36189M2Q00	24V DC 14W	1	

9. CABINET AS



No.	PARTS NAME	CODE	SPECIFICATIONS	Q'TY	REMARK
F01	CABINET	3610813300	SGCC 0.8T,L'S	1	
F02	FRAME LOWER	36122UD700	SGCC 1.2T	1	
F03	FRAME TOP *L	36122UDA00	SGCC 1.6T	1	
	FRAME TOP *R	36122UDB00	SGCC 1.6T	1	
F04	BASE U L	3610393800	SGCC T2.0	1	
	BASE U R	3610393900	SGCC T2.0	1	
F05	LEG ADJUST AS	3617703800	CHINA PARTS, DWD-900W	4	
F06	MAIN PCB AS	3610PCBL00	D-LU EFA WASH UNI ZERO REA CC C BB NST	1	
	MAIN PCB AS	3610PCBL02	C-LU1013MFA	1	
	MAIN PCB AS	3610PCBL50	C-LD1412EFA02	1	
	MAIN PCB AS	3610PCBL51	C-LDEFA02 DRY DD ZERO C CC BB ST	1	
	MAIN PCB AS	3610PCBL54	C-LD1213NHS	1	
	MAIN PCB AS	3610PCBL55	C-LD1213LHS02	1	
	MAIN PCB AS	361MPCLD00	C-LD 1W F REA CC C BB NST	1	
	MAIN PCB AS	361MPCLD01	C-LD 1W F REA CC C BB ST	1	
	MAIN PCB AS	361MPCLD02	C-LD 1W F REA NCC H NBB NST	1	
	MAIN PCB AS	361MPCLD03	C-LD 1W F REA CC H BB ST	1	
	MAIN PCB AS	361MPCLD04	C-LD 1W F REA NCC C BB NST	1	
	MAIN PCB AS	361MPCLD05	C-LD 1W F REA CC C BB NST	1	
	MAIN PCB AS	361MPCLD06	C-LD EC F REA CC C BB ST	1	
	MAIN PCB AS	361MPCLD07	C-LD EC NF REA NCC H NBB NST	1	
	MAIN PCB AS	361MPCLD08	C-LD EC NF REA NCC H NBB ST	1	
	MAIN PCB AS	361MPCLD09	C-LD EC REA NCC C BB NST	1	
	MAIN PCB AS	361MPCLD10	C-LD 1W REA NCC C NBB NST	1	
	MAIN PCB AS	361MPCLD11	C-LD 1W F REA CC C NBB NST	1	
	MAIN PCB AS	361MPCLD12	AUSTRALIA C-LD 1W F REA CC C BB NST	1	
	MAIN PCB AS	361MPCLD50	C-LD EC NF REA CC C BB ST	1	
	MAIN PCB AS	361MPCLD51	C-LD EC NF REA CC C BB NST	1	
	MAIN PCB AS	361MPCLD52	C-LD EC NF REA NCC H NBB NST	1	
	MAIN PCB AS	361MPCLD53	C-LD EC NF REA CC H BB ST	1	
	MAIN PCB AS	361MPCLD54	C-LD EC F REA CC H BB ST	1	
	MAIN PCB AS	361MPCLD55	C-LD EC NF REA CC C NBB ST	1	
	MAIN PCB AS	361MPCLD56	C-LD 127V EC NF REA NCC H BB ST	1	
	MAIN PCB AS	361MPCLD57	C-LD 127V EC NF REA NCC H NBB NST	1	

No.	PARTS NAME	CODE	SPECIFICATIONS	Q'TY	REMARK
F06	MAIN PCB AS	361MPCLD58	C-LD EC NF REA NCC C BB ST	1	
	MAIN PCB AS	361MPCLU00	C-LU 1W REA CC C BB ST	1	
	MAIN PCB AS	361MPCLU01	C-LU EC NF NR CC C BB NST	1	
	MAIN PCB AS	361MPCLU02	C-LU ZERO REA CC H BB ST	1	
	MAIN PCB AS	361MPCLU50	C-LU EC NF NREA CC C BB NST	1	
	MAIN PCB AS	361MPCLU51	C-LU EC NF NREA CC C BB ST	1	
	MAIN PCB AS	361MPCLU52	C-LU EC F NREA NCC C BB NST	1	
	MAIN PCB AS	361MPCLU53	C-LU EC NF NREA CC C NBB NST	1	
	MAIN PCB AS	361MPDL00	D-LD 1W F REA CC C BB NST	1	
	MAIN PCB AS	361MPDL01	D-LD 1W F REA CC C BB ST	1	
	MAIN PCB AS	361MPDL02	D-LD 1W F REA CC H BB ST	1	
	MAIN PCB AS	361MPDL03	D-LD 1W F REA NCC H NBB NST	1	
	MAIN PCB AS	361MPDL04	D-LD 1W F REA CC C NOBB NST	1	
	MAIN PCB AS	361MPDL05	D-LD 1W F REA CC C NOBB ST	1	
	MAIN PCB AS	361MPDL06	D-LD 1W F REA NCC C BB ST	1	
	MAIN PCB AS	361MPDL07	D-LD 1W F REA NCC C NOBB ST	1	
	MAIN PCB AS	361MPDL08	D-LD 1W F REA NCC C BB NST	1	
	MAIN PCB AS	361MPDL09	D-LD 1W F REA NCC C NOBB NST	1	
	MAIN PCB AS	361MPDL50	D-LD EC NF C CC BB REA NST	1	
	MAIN PCB AS	361MPDL51	D-LD EC F C NCC REA BB NST	1	
	MAIN PCB AS	361MPDL52	D-LD EC NF R CC C BB ST	1	
	MAIN PCB AS	361MPDL53	D-LD EC NF H BB REA ST CC	1	
	MAIN PCB AS	361MPDL54	D-LD EC F R NCC C BB ST	1	
	MAIN PCB AS	361MPDL55	D-LD EC F H BB REA ST CC	1	
	MAIN PCB AS	361MPDL56	D-LD EC NF R CC C NBB ST	1	
	MAIN PCB AS	361MPDL57	D-LD AUSTRILA 1W F R CC C BB NST	1	
	MAIN PCB AS	361MPDL58	D-LD EC NF C NCC REA BB NST	1	
	MAIN PCB AS	361MPDLU00	D-LU 1W F REA CC C BB NST	1	
	MAIN PCB AS	361MPDLU01	D-LU EC NF NR CC C BB NST	1	
	MAIN PCB AS	361MPDLU02	D-LU 1W F REA CC H BB NST	1	
	MAIN PCB AS	361MPDLU03	D-LU 1W F REA CC C NBB NST	1	
	MAIN PCB AS	361MPDLU04	D-LU EC NF NR NCC C BB NST	1	
	MAIN PCB AS	361MPDLU05	D-LU 1W F REA CC C BB STEAM	1	
MAIN PCB AS	361MPDLU50	D-LU EC NF NR CC C NBB NST	1		

No.	PARTS NAME	CODE	SPECIFICATIONS	Q'TY	REMARK
F06-1	HARNESS AS	-	Contact the person in charge for further details.	1	
F06-2	PCB INVERTER AS	PRPSSWL100	D-LU SERIES,ZERO,BB,HOT,C/C,STEAM	1	
	PCB INVERTER AS	PRPSSWL101	D-LU SERIES,ZERO,BB,HOT,C/C,NON-STEAM	1	
	PCB INVERTER AS	PRPSSWL102	D-LU SERIES,ZERO,BB,HOT,NON-C/C,STEAM	1	
	PCB INVERTER AS	PRPSSWL103	D-LU SERIES,ZERO,BB,HOT,NON-C/C,NON-STEAM	1	
	PCB INVERTER AS	PRPSSWL104	D-LU SERIES,ZERO,BB,COLD,C/C,STEAM	1	
	PCB INVERTER AS	PRPSSWL105	D-LU SERIES,ZERO,BB,COLD,C/C,NON-STEAM	1	
	PCB INVERTER AS	PRPSSWL106	D-LU SERIES,ZERO,BB,COLD,NON-C/C,STEAM	1	
	PCB INVERTER AS	PRPSSWL107	D-LU SERIES,ZERO,BB,COLD,NON-C/C,NON-STEAM	1	
	PCB INVERTER AS	PRPSSWL108	D-LU SERIES,ZERO,NON-BB,HOT,C/C,STEAM	1	
	PCB INVERTER AS	PRPSSWL109	D-LU SERIES,ZERO,NON-BB,HOT,C/C,NON-STEAM	1	
	PCB INVERTER AS	PRPSSWL110	D-LU SERIES,ZERO,NON-BB,HOT,NON-C/C,STEAM	1	
	PCB INVERTER AS	PRPSSWL111	D-LU SERIES,ZERO,NON-BB,HOT,NON-C/C,NON-STEAM	1	
	PCB INVERTER AS	PRPSSWL112	D-LU SERIES,ZERO,NON-BB,COLD,C/C,STEAM	1	
	PCB INVERTER AS	PRPSSWL113	D-LU SERIES,ZERO,NON-BB,COLD,C/C,NON-STEAM	1	
	PCB INVERTER AS	PRPSSWL114	D-LU SERIES,ZERO,NON-BB,COLD,NON-C/C,STEAM	1	
	PCB INVERTER AS	PRPSSWL115	D-LU SERIES,ZERO,NON-BB,COLD,NON-C/C,NON-STEAM	1	
	PCB INVERTER AS	PRPSSWL116	D-LU SERIES,EC,BB,HOT,C/C,STEAM	1	
	PCB INVERTER AS	PRPSSWL117	D-LU SERIES,EC,BB,HOT,C/C,NON-STEAM	1	
	PCB INVERTER AS	PRPSSWL118	D-LU SERIES,EC,BB,HOT,NON-C/C,STEAM	1	
	PCB INVERTER AS	PRPSSWL119	D-LU SERIES,EC,BB,HOT,NON-C/C,NON-STEAM	1	
	PCB INVERTER AS	PRPSSWL120	D-LU SERIES,EC,BB,COLD,C/C,STEAM	1	
	PCB INVERTER AS	PRPSSWL121	D-LU SERIES,EC,BB,COLD,C/C,NON-STEAM	1	
	PCB INVERTER AS	PRPSSWL122	D-LU SERIES,EC,BB,COLD,NON-C/C,STEAM	1	
	PCB INVERTER AS	PRPSSWL123	D-LU SERIES,EC,BB,COLD,NON-C/C,NON-STEAM	1	
	PCB INVERTER AS	PRPSSWL124	D-LU SERIES,EC,NON-BB,HOT,C/C,STEAM	1	
	PCB INVERTER AS	PRPSSWL125	D-LU SERIES,EC,NON-BB,HOT,C/C,NON-STEAM	1	
	PCB INVERTER AS	PRPSSWL126	D-LU SERIES,EC,NON-BB,HOT,NON-C/C,STEAM	1	
	PCB INVERTER AS	PRPSSWL127	D-LU SERIES,EC,NON-BB,HOT,NON-C/C,NON-STEAM	1	
	PCB INVERTER AS	PRPSSWL128	D-LU SERIES,EC,NON-BB,COLD,C/C,STEAM	1	
PCB INVERTER AS	PRPSSWL129	D-LU SERIES,EC,NON-BB,COLD,C/C,NON-STEAM	1		
PCB INVERTER AS	PRPSSWL130	D-LU SERIES,EC,NON-BB,COLD,NON-C/C,STEAM	1		
PCB INVERTER AS	PRPSSWL131	D-LU SERIES,EC,NON-BB,COLD,NON-C/C,NON-STEAM	1		
PCB INVERTER AS	PRPSSWL200	C-LU'S, DRY, ZERO, BB, HOT, C/C, STEAM	1		

No.	PARTS NAME	CODE	SPECIFICATIONS	Q'TY	REMARK
F06-2	PCB INVERTER AS	PRPSSWL201	C-LU'S, DRY, ZERO, BB, HOT, C/C, NON-STEAM	1	
	PCB INVERTER AS	PRPSSWL202	C-LU'S, DRY, ZERO, BB, HOT, NON-C/C, STEAM	1	
	PCB INVERTER AS	PRPSSWL203	C-LU'S, DRY, ZERO, BB, HOT, NON-C/C, NON-STEAM	1	
	PCB INVERTER AS	PRPSSWL204	C-LU'S, DRY, ZERO, BB, COLD, C/C, STEAM	1	
	PCB INVERTER AS	PRPSSWL205	C-LU'S, DRY, ZERO, BB, COLD, C/C, NON-STEAM	1	
	PCB INVERTER AS	PRPSSWL206	C-LU'S, DRY, ZERO, BB, COLD, NON-C/C, STEAM	1	
	PCB INVERTER AS	PRPSSWL207	C-LU'S, DRY, ZERO, BB, COLD, NON-C/C, NON-STEAM	1	
	PCB INVERTER AS	PRPSSWL208	C-LU'S, DRY, ZERO, NON-BB, HOT, C/C, STEAM	1	
	PCB INVERTER AS	PRPSSWL209	C-LU'S, DRY, ZERO, NON-BB, HOT, C/C, NON-STEAM	1	
	PCB INVERTER AS	PRPSSWL210	C-LU'S, DRY, ZERO, NON-BB, HOT, NON-C/C, STEAM	1	
	PCB INVERTER AS	PRPSSWL211	C-LU'S, DRY, ZERO, NON-BB, HOT, NON-C/C, NON-STEAM	1	
	PCB INVERTER AS	PRPSSWL212	C-LU'S, DRY, ZERO, NON-BB, COLD, C/C, STEAM	1	
	PCB INVERTER AS	PRPSSWL213	C-LU'S, DRY, ZERO, NON-BB, COLD, C/C, NON-STEAM	1	
	PCB INVERTER AS	PRPSSWL214	C-LU'S, DRY, ZERO, NON-BB, COLD, NON-C/C, STEAM	1	
	PCB INVERTER AS	PRPSSWL215	C-LU'S, DRY, ZERO, NON-BB, COLD, NON-C/C, NON-STEAM	1	
	PCB INVERTER AS	PRPSSWL216	C-LU'S, DRY, EC, BB, HOT, C/C, STEAM	1	
	PCB INVERTER AS	PRPSSWL217	C-LU'S, DRY, EC, BB, HOT, C/C, NON-STEAM	1	
	PCB INVERTER AS	PRPSSWL218	C-LU'S, DRY, EC, BB, HOT, NON-C/C, STEAM	1	
	PCB INVERTER AS	PRPSSWL219	C-LU'S, DRY, EC, BB, HOT, NON-C/C, NON-STEAM	1	
	PCB INVERTER AS	PRPSSWL220	C-LU'S, DRY, EC, BB, COLD, C/C, STEAM	1	
	PCB INVERTER AS	PRPSSWL221	C-LU'S, DRY, EC, BB, COLD, C/C, NON-STEAM	1	
	PCB INVERTER AS	PRPSSWL222	C-LU'S, DRY, EC, BB, COLD, NON-C/C, STEAM	1	
	PCB INVERTER AS	PRPSSWL223	C-LU'S, DRY, EC, BB, COLD, NON-C/C, NON-STEAM	1	
	PCB INVERTER AS	PRPSSWL224	C-LU'S, DRY, EC, NON-BB, HOT, C/C, STEAM	1	
	PCB INVERTER AS	PRPSSWL225	C-LU'S, DRY, EC, NON-BB, HOT, C/C, NON-STEAM	1	
	PCB INVERTER AS	PRPSSWL226	C-LU'S, DRY, EC, NON-BB, HOT, NON-C/C, STEAM	1	
	PCB INVERTER AS	PRPSSWL227	C-LU'S, DRY, EC, NON-BB, HOT, NON-C/C, NON-STEAM	1	
	PCB INVERTER AS	PRPSSWL228	C-LU'S, DRY, EC, NON-BB, COLD, C/C, STEAM	1	
	PCB INVERTER AS	PRPSSWL229	C-LU'S, DRY, EC, NON-BB, COLD, C/C, NON-STEAM	1	
	PCB INVERTER AS	PRPSSWL230	C-LU'S, DRY, EC, NON-BB, COLD, NON-C/C, STEAM	1	
	PCB INVERTER AS	PRPSSWL231	C-LU'S, DRY, EC, NON-BB, COLD, NON-C/C, NON-STEAM	1	
	PCB INVERTER AS	PRPSSWL300	LD'S, DRY, ZERO, BB, 220, HOT, C/C, STEAM	1	
PCB INVERTER AS	PRPSSWL301	LD'S, DRY, ZERO, BB, 220, HOT, C/C, NON-STEAM	1		
PCB INVERTER AS	PRPSSWL302	LD'S, DRY, ZERO, BB, 220, HOT, NON-C/C, STEAM	1		

No.	PARTS NAME	CODE	SPECIFICATIONS	Q'TY	REMARK
F06-2	PCB INVERTER AS	PRPSSWL303	LD'S,DRY,ZERO,BB,220,HOT,NON-C/C,NON-STEAM	1	
	PCB INVERTER AS	PRPSSWL304	LD'S,DRY,ZERO,BB,220,COLD,C/C,STEAM	1	
	PCB INVERTER AS	PRPSSWL305	LD'S,DRY,ZERO,BB,220,COLD,C/C,NON-STEAM	1	
	PCB INVERTER AS	PRPSSWL306	LD'S,DRY,ZERO,BB,220,COLD,NON-C/C,STEAM	1	
	PCB INVERTER AS	PRPSSWL307	LD'S,DRY,ZERO,BB,220,COLD,NON-C/C,NON-STEAM	1	
	PCB INVERTER AS	PRPSSWL308	LD'S,DRY,ZERO,BB,110,HOT,C/C,STEAM	1	
	PCB INVERTER AS	PRPSSWL309	LD'S,DRY,ZERO,BB,110,HOT,C/C,NON-STEAM	1	
	PCB INVERTER AS	PRPSSWL30F	LD'S,DRY,1W,BB,220,COLD,C/C,NO-STEAM,호주	1	
	PCB INVERTER AS	PRPSSWL310	LD'S,DRY,ZERO,BB,110,HOT,NON-C/C,STEAM	1	
	PCB INVERTER AS	PRPSSWL311	LD'S,DRY,ZERO,BB,110,HOT,NON-C/C,NON-STEAM	1	
	PCB INVERTER AS	PRPSSWL312	LD'S,DRY,ZERO,BB,110,COLD,C/C,STEAM	1	
	PCB INVERTER AS	PRPSSWL313	LD'S,DRY,ZERO,BB,110,COLD,C/C,NON-STEAM	1	
	PCB INVERTER AS	PRPSSWL314	LD'S,DRY,ZERO,BB,110,COLD,NON-C/C,STEAM	1	
	PCB INVERTER AS	PRPSSWL315	LD'S,DRY,ZERO,BB,110,COLD,NON-C/C,NON-STEAM	1	
	PCB INVERTER AS	PRPSSWL316	LD'S,DRY,ZERO,NON-BB,220,HOT,C/C,STEAM	1	
	PCB INVERTER AS	PRPSSWL317	LD'S,DRY,ZERO,NON-BB,220,HOT,C/C,NON-STEAM	1	
	PCB INVERTER AS	PRPSSWL318	LD'S,DRY,ZERO,NON-BB,220,HOT,NON-C/C,STEAM	1	
	PCB INVERTER AS	PRPSSWL319	LD'S,DRY,ZERO,NON-BB,220,HOT,NON-C/C,NON-STEAM	1	
	PCB INVERTER AS	PRPSSWL320	LD'S,DRY,ZERO,NON-BB,220,COLD,C/C,STEAM	1	
	PCB INVERTER AS	PRPSSWL321	LD'S,DRY,ZERO,NON-BB,220,COLD,C/C,NON-STEAM	1	
	PCB INVERTER AS	PRPSSWL322	LD'S,DRY,ZERO,NON-BB,220,COLD,NON-C/C,STEAM	1	
	PCB INVERTER AS	PRPSSWL323	LD'S,DRY,ZERO,NON-BB,220,COLD,NON-C/C,NON-STEAM	1	
	PCB INVERTER AS	PRPSSWL324	LD'S,DRY,ZERO,NON-BB,110,HOT,C/C,STEAM	1	
	PCB INVERTER AS	PRPSSWL325	LD'S,DRY,ZERO,NON-BB,110,HOT,C/C,NON-STEAM	1	
	PCB INVERTER AS	PRPSSWL326	LD'S,DRY,ZERO,NON-BB,110,HOT,NON-C/C,STEAM	1	
	PCB INVERTER AS	PRPSSWL327	LD'S,DRY,ZERO,NON-BB,110,HOT,NON-C/C,NON-STEAM	1	
	PCB INVERTER AS	PRPSSWL328	LD'S,DRY,ZERO,NON-BB,110,COLD,C/C,STEAM	1	
	PCB INVERTER AS	PRPSSWL329	LD'S,DRY,ZERO,NON-BB,110,COLD,C/C,NON-STEAM	1	
	PCB INVERTER AS	PRPSSWL330	LD'S,DRY,ZERO,NON-BB,110,COLD,NON-C/C,STEAM	1	
	PCB INVERTER AS	PRPSSWL331	LD'S,DRY,ZERO,NON-BB,110,COLD,NON-C/C,NON-STEAM	1	
	PCB INVERTER AS	PRPSSWL332	LD'S,DRY,EC,BB,220,HOT,C/C,STEAM	1	
	PCB INVERTER AS	PRPSSWL333	LD'S,DRY,EC,BB,220,HOT,C/C,NON-STEAM	1	
	PCB INVERTER AS	PRPSSWL334	LD'S,DRY,EC,BB,220,HOT,NON-C/C,STEAM	1	
	PCB INVERTER AS	PRPSSWL335	LD'S,DRY,EC,BB,220,HOT,NON-C/C,NON-STEAM	1	

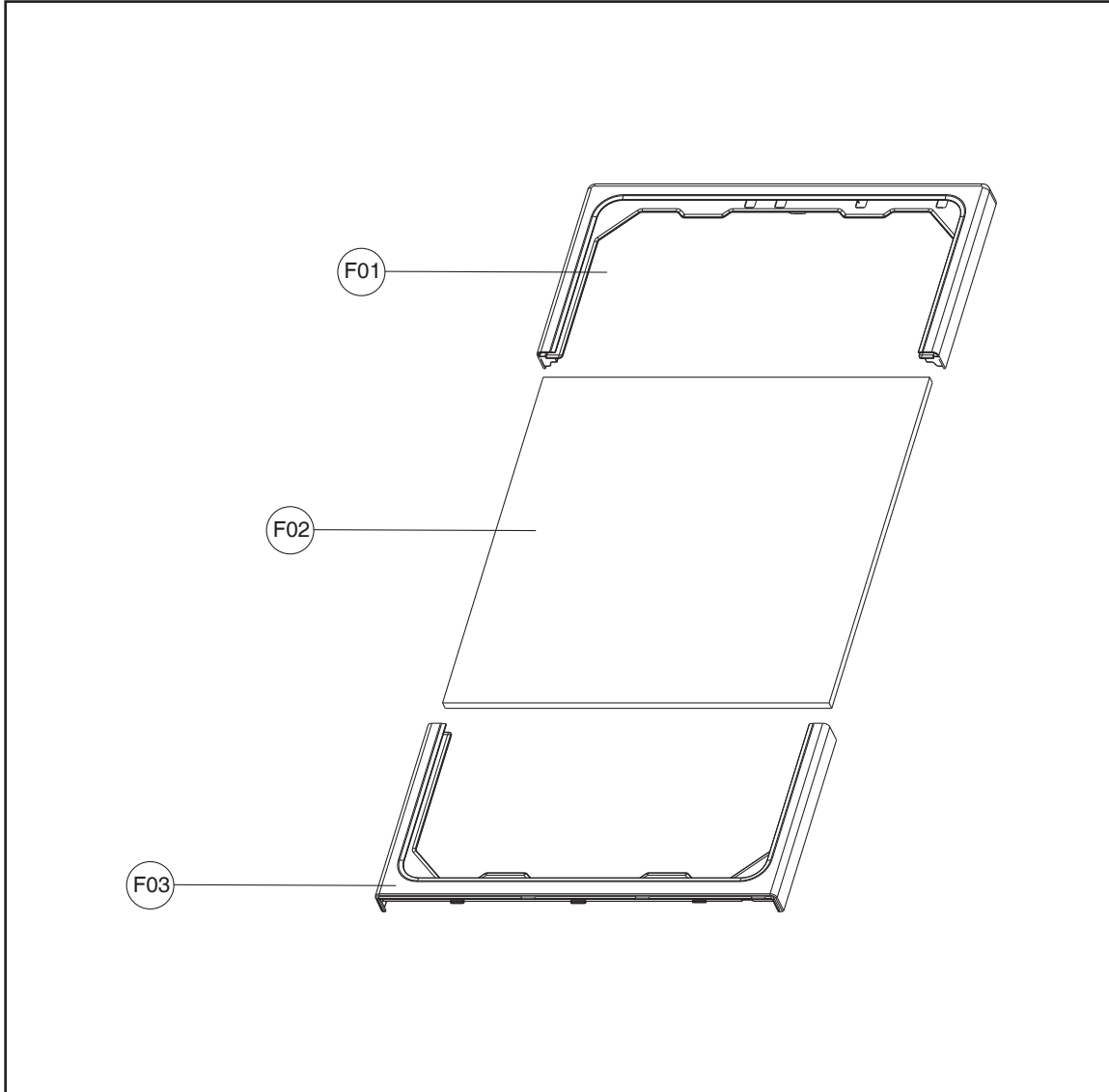
No.	PARTS NAME	CODE	SPECIFICATIONS	Q'TY	REMARK
F06-2	PCB INVERTER AS	PRPSSWL336	LD'S, DRY, EC, BB, 220, COLD, C/C, STEAM	1	
	PCB INVERTER AS	PRPSSWL337	LD'S, DRY, EC, BB, 220, COLD, C/C, NON-STEAM	1	
	PCB INVERTER AS	PRPSSWL338	LD'S, DRY, EC, BB, 220, COLD, NON-C/C, STEAM	1	
	PCB INVERTER AS	PRPSSWL339	LD'S, DRY, EC, BB, 220, COLD, NON-C/C, NON-STEAM	1	
	PCB INVERTER AS	PRPSSWL340	LD'S, DRY, EC, BB, 110, HOT, C/C, STEAM	1	
	PCB INVERTER AS	PRPSSWL341	LD'S, DRY, EC, BB, 110, HOT, C/C, NON-STEAM	1	
	PCB INVERTER AS	PRPSSWL342	LD'S, DRY, EC, BB, 110, HOT, NON-C/C, STEAM	1	
	PCB INVERTER AS	PRPSSWL343	LD'S, DRY, EC, BB, 110, HOT, NON-C/C, NON-STEAM	1	
	PCB INVERTER AS	PRPSSWL344	LD'S, DRY, EC, BB, 110, COLD, C/C, STEAM	1	
	PCB INVERTER AS	PRPSSWL345	LD'S, DRY, EC, BB, 110, COLD, C/C, NON-STEAM	1	
	PCB INVERTER AS	PRPSSWL346	LD'S, DRY, EC, BB, 110, COLD, NON-C/C, STEAM	1	
	PCB INVERTER AS	PRPSSWL347	LD'S, DRY, EC, BB, 110, COLD, NON-C/C, NON-STEAM	1	
	PCB INVERTER AS	PRPSSWL348	LD'S, DRY, EC, NON-BB, 220, HOT, C/C, STEAM	1	
	PCB INVERTER AS	PRPSSWL349	LD'S, DRY, EC, NON-BB, 220, HOT, C/C, NON-STEAM	1	
	PCB INVERTER AS	PRPSSWL350	LD'S, DRY, EC, NON-BB, 220, HOT, NON-C/C, STEAM	1	
	PCB INVERTER AS	PRPSSWL351	LD'S, DRY, EC, NON-BB, 220, HOT, NON-C/C, NON-STEAM	1	
	PCB INVERTER AS	PRPSSWL352	LD'S, DRY, EC, NON-BB, 220, COLD, C/C, STEAM	1	
	PCB INVERTER AS	PRPSSWL353	LD'S, DRY, EC, NON-BB, 220, COLD, C/C, NON-STEAM	1	
	PCB INVERTER AS	PRPSSWL354	LD'S, DRY, EC, NON-BB, 220, COLD, NON-C/C, STEAM	1	
	PCB INVERTER AS	PRPSSWL355	LD'S, DRY, EC, NON-BB, 220, COLD, NON-C/C, NON-STEAM	1	
	PCB INVERTER AS	PRPSSWL356	LD'S, DRY, EC, NON-BB, 110, HOT, C/C, STEAM	1	
	PCB INVERTER AS	PRPSSWL357	LD'S, DRY, EC, NON-BB, 110, HOT, C/C, NON-STEAM	1	
	PCB INVERTER AS	PRPSSWL358	LD'S, DRY, EC, NON-BB, 110, HOT, NON-C/C, STEAM	1	
	PCB INVERTER AS	PRPSSWL359	LD'S, DRY, EC, NON-BB, 110, HOT, NON-C/C, NON-STEAM	1	
	PCB INVERTER AS	PRPSSWL360	LD'S, DRY, EC, NON-BB, 110, COLD, C/C, STEAM	1	
	PCB INVERTER AS	PRPSSWL361	LD'S, DRY, EC, NON-BB, 110, COLD, C/C, NON-STEAM	1	
	PCB INVERTER AS	PRPSSWL362	LD'S, DRY, EC, NON-BB, 110, COLD, NON-C/C, STEAM	1	
	PCB INVERTER AS	PRPSSWL363	LD'S, DRY, EC, NON-BB, 110, COLD, NON-C/C, NON-STEAM	1	
	PCB INVERTER AS	PRPSSWL364	LD'S, NON-DRY, ZERO, BB, 220, HOT, C/C, STEAM	1	
	PCB INVERTER AS	PRPSSWL365	LD'S, NON-DRY, ZERO, BB, 220, HOT, C/C, NON-STEAM	1	
	PCB INVERTER AS	PRPSSWL366	LD'S, NON-DRY, ZERO, BB, 220, HOT, NON-C/C, STEAM	1	
	PCB INVERTER AS	PRPSSWL367	LD'S, NON-DRY, ZERO, BB, 220, HOT, NON-C/C, NON-STEAM	1	
	PCB INVERTER AS	PRPSSWL368	LD'S, NON-DRY, ZERO, BB, 220, COLD, C/C, STEAM	1	
	PCB INVERTER AS	PRPSSWL369	LD'S, NON-DRY, ZERO, BB, 220, COLD, C/C, NON-STEAM	1	

No.	PARTS NAME	CODE	SPECIFICATIONS	Q'TY	REMARK
F06-2	PCB INVERTER AS	PRPSSWL370	LD'S, NON-DRY, ZERO, BB, 220, COLD, NON-C/C, STEAM	1	
	PCB INVERTER AS	PRPSSWL371	LD'S, NON-DRY, ZERO, BB, 220, COLD, NON-C/C, NON-STEAM	1	
	PCB INVERTER AS	PRPSSWL372	LD'S, NON-DRY, ZERO, BB, 110, HOT, C/C, STEAM	1	
	PCB INVERTER AS	PRPSSWL373	LD'S, NON-DRY, ZERO, BB, 110, HOT, C/C, NON-STEAM	1	
	PCB INVERTER AS	PRPSSWL374	LD'S, NON-DRY, ZERO, BB, 110, HOT, NON-C/C, STEAM	1	
	PCB INVERTER AS	PRPSSWL375	LD'S, NON-DRY, ZERO, BB, 110, HOT, NON-C/C, NON-STEAM	1	
	PCB INVERTER AS	PRPSSWL376	LD'S, NON-DRY, ZERO, BB, 110, COLD, C/C, STEAM	1	
	PCB INVERTER AS	PRPSSWL377	LD'S, NON-DRY, ZERO, BB, 110, COLD, C/C, NON-STEAM	1	
	PCB INVERTER AS	PRPSSWL378	LD'S, NON-DRY, ZERO, BB, 110, COLD, NON-C/C, STEAM	1	
	PCB INVERTER AS	PRPSSWL379	LD'S, NON-DRY, ZERO, BB, 110, COLD, NON-C/C, NON-STEAM	1	
	PCB INVERTER AS	PRPSSWL380	LD'S, NON-DRY, ZERO, NON-BB, 220, HOT, C/C, STEAM	1	
	PCB INVERTER AS	PRPSSWL381	LD'S, NON-DRY, ZERO, NON-BB, 220, HOT, C/C, NON-STEAM	1	
	PCB INVERTER AS	PRPSSWL382	LD'S, NON-DRY, ZERO, NON-BB, 220, HOT, NON-C/C, STEAM	1	
	PCB INVERTER AS	PRPSSWL383	LD'S, NON-DRY, ZERO, NON-BB, 220, HOT, NON-C/C, NON-STEAM	1	
	PCB INVERTER AS	PRPSSWL384	LD'S, NON-DRY, ZERO, NON-BB, 220, COLD, C/C, STEAM	1	
	PCB INVERTER AS	PRPSSWL385	LD'S, NON-DRY, ZERO, NON-BB, 220, COLD, C/C, NON-STEAM	1	
	PCB INVERTER AS	PRPSSWL386	LD'S, NON-DRY, ZERO, NON-BB, 220, COLD, NON-C/C, STEAM	1	
	PCB INVERTER AS	PRPSSWL387	LD'S, NON-DRY, ZERO, NON-BB, 220, COLD, NON-CC, NON-STEAM	1	
	PCB INVERTER AS	PRPSSWL388	LD'S, NON-DRY, ZERO, NON-BB, 110, HOT, C/C, STEAM	1	
	PCB INVERTER AS	PRPSSWL389	LD'S, NON-DRY, ZERO, NON-BB, 110, HOT, C/C, NON-STEAM	1	
	PCB INVERTER AS	PRPSSWL390	LD'S, NON-DRY, ZERO, NON-BB, 110, HOT, NON-C/C, STEAM	1	
	PCB INVERTER AS	PRPSSWL391	LD'S, NON-DRY, ZERO, NON-BB, 110, HOT, NON-C/C, NON-STEAM	1	
	PCB INVERTER AS	PRPSSWL392	LD'S, NON-DRY, ZERO, NON-BB, 110, COLD, C/C, STEAM	1	
	PCB INVERTER AS	PRPSSWL393	LD'S, NON-DRY, ZERO, NON-BB, 110, COLD, C/C, NON-STEAM	1	
	PCB INVERTER AS	PRPSSWL394	LD'S, NON-DRY, ZERO, NON-BB, 110, COLD, NON-C/C, STEAM	1	
	PCB INVERTER AS	PRPSSWL395	LD'S, NON-DRY, ZERO, NON-BB, 110, COLD, NON-CC, NON-STEAM	1	
	PCB INVERTER AS	PRPSSWL396	LD'S, NON-DRY, EC, BB, 220, HOT, C/C, STEAM	1	
	PCB INVERTER AS	PRPSSWL397	LD'S, NON-DRY, EC, BB, 220, HOT, C/C, NON-STEAM	1	
	PCB INVERTER AS	PRPSSWL398	LD'S, NON-DRY, EC, BB, 220, HOT, NON-C/C, STEAM	1	
	PCB INVERTER AS	PRPSSWL399	LD'S, NON-DRY, EC, BB, 220, HOT, NON-C/C, NON-STEAM	1	
	PCB INVERTER AS	PRPSSWL400	LD'S, NON-DRY, EC, BB, 220, COLD, C/C, STEAM	1	
	PCB INVERTER AS	PRPSSWL401	LD'S, NON-DRY, EC, BB, 220, COLD, C/C, NON-STEAM	1	
	PCB INVERTER AS	PRPSSWL402	LD'S, NON-DRY, EC, BB, 220, COLD, NON-C/C, STEAM	1	
PCB INVERTER AS	PRPSSWL403	LD'S, NON-DRY, EC, BB, 220, COLD, NON-C/C, NON-STEAM	1		

No.	PARTS NAME	CODE	SPECIFICATIONS	Q'TY	REMARK
F06-2	PCB INVERTER AS	PRPSSWL404	LD'S, NON-DRY, EC, BB, 110, HOT, C/C, STEAM	1	
	PCB INVERTER AS	PRPSSWL405	LD'S, NON-DRY, EC, BB, 110, HOT, C/C, NON-STEAM	1	
	PCB INVERTER AS	PRPSSWL406	LD'S, NON-DRY, EC, BB, 110, HOT, NON-C/C, STEAM	1	
	PCB INVERTER AS	PRPSSWL407	LD'S, NON-DRY, EC, BB, 110, HOT, NON-C/C, NON-STEAM	1	
	PCB INVERTER AS	PRPSSWL408	LD'S, NON-DRY, EC, BB, 110, COLD, C/C, STEAM	1	
	PCB INVERTER AS	PRPSSWL409	LD'S, NON-DRY, EC, BB, 110, COLD, C/C, NON-STEAM	1	
	PCB INVERTER AS	PRPSSWL410	LD'S, NON-DRY, EC, BB, 110, COLD, NON-C/C, STEAM	1	
	PCB INVERTER AS	PRPSSWL411	LD'S, NON-DRY, EC, BB, 110, COLD, NON-C/C, NON-STEAM	1	
	PCB INVERTER AS	PRPSSWL412	LD'S, NON-DRY, EC, NON-BB, 220, HOT, C/C, STEAM	1	
	PCB INVERTER AS	PRPSSWL413	LD'S, NON-DRY, EC, NON-BB, 220, HOT, C/C, NON-STEAM	1	
	PCB INVERTER AS	PRPSSWL414	LD'S, NON-DRY, EC, NON-BB, 220, HOT, NON-C/C, STEAM	1	
	PCB INVERTER AS	PRPSSWL415	LD'S, NON-DRY, EC, NON-BB, 220, HOT, NON-C/C, NON-STEAM	1	
	PCB INVERTER AS	PRPSSWL416	LD'S, NON-DRY, EC, NON-BB, 220, COLD, C/C, STEAM	1	
	PCB INVERTER AS	PRPSSWL417	LD'S, NON-DRY, EC, NON-BB, 220, COLD, C/C, NON-STEAM	1	
	PCB INVERTER AS	PRPSSWL418	LD'S, NON-DRY, EC, NON-BB, 220, COLD, NON-C/C, STEAM	1	
	PCB INVERTER AS	PRPSSWL419	LD'S, NON-DRY, EC, NON-BB, 220, COLD, NON-C/C, NON-STEAM	1	
	PCB INVERTER AS	PRPSSWL420	LD'S, NON-DRY, EC, NON-BB, 110, HOT, C/C, STEAM	1	
	PCB INVERTER AS	PRPSSWL421	LD'S, NON-DRY, EC, NON-BB, 110, HOT, C/C, NON-STEAM	1	
	PCB INVERTER AS	PRPSSWL422	LD'S, NON-DRY, EC, NON-BB, 110, HOT, NON-C/C, STEAM	1	
	PCB INVERTER AS	PRPSSWL423	LD'S, NON-DRY, EC, NON-BB, 110, HOT, NON-C/C, NON-STEAM	1	
PCB INVERTER AS	PRPSSWL424	LD'S, NON-DRY, EC, NON-BB, 110, COLD, C/C, STEAM	1		
PCB INVERTER AS	PRPSSWL425	LD'S, NON-DRY, EC, NON-BB, 110, COLD, C/C, NON-STEAM	1		
PCB INVERTER AS	PRPSSWL426	LD'S, NON-DRY, EC, NON-BB, 110, COLD, NON-C/C, STEAM	1		
PCB INVERTER AS	PRPSSWL427	LD'S, NON-DRY, EC, NON-BB, 110, COLD, NON-C/C, NON-STEAM	1		
PCB INVERTER AS	PRPSSWL500	D-LU SERIES, ZERO, BB, HOT, C/C, STEAM	1		
F07	PLATE TOP AS	3614541110	LD PAINTING WH	1	
F07-1	PLATE *T	3614541100	SECC 1.2T, C-LU1011	1	
F08	SENSOR PRESSURE	3614825240	DL-DW13 AIR INLET 315	1	
F09	COVER *B AS	3611431610	LD COVER *B + CUSHION	1	
F10	FIXTURE TUB AS	3612007421	6KG, CHINA, SAMWOO	4	
F11	FRAME UPPER	36122UD900	SGCC 1.2T	1	
	FRAME UPPER	36122UDX00	SBHG 1.2T	1	FOR WOOD PLATE
F12	UNIT DRAIN PUMP AS	36189M2T01	AC220~240V/50HZ HANYU, AL, 30W, DUAL, TAPER IMPELLER	1	
	UNIT DRAIN PUMP AS	36189S1500	AC220V/60HZ HANYU, AL, 30W, SINGLE PUMP, FILTER NEW	1	

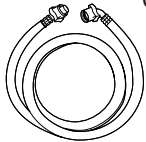
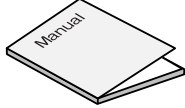

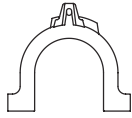

No.	PARTS NAME	CODE	SPECIFICATIONS	Q'TY	REMARK
F12	UNIT DRAIN PUMP AS	36189S1600	AC220~240V/50HZHANYU,AL,30W,SINGLE PUMP,FILTER NEW	1	
	UNIT DRAIN PUMP AS	36189S1900	AC120V/60HZ HANYU,CU,30W,SINGLE PUMP,FILTER NEW	1	
	UNIT DRAIN PUMP AS	36189M1500	AC220V/60HZ HANYU,AL,30W,DUAL PUMP CIRCUL NEW	1	
	UNIT DRAIN PUMP AS	36189M1800	AC120V/60HZ HANYU,CU,30W,DUAL PUMP,CIRCUL NEW	1	
F13	STOPPER SPRING	3615202200	POM, DWD-100DR	2	
F14	NOZZLE AIR	3618111400	PP, L-SERIES	1	
F15	HOSE DRAIN OUTER AS	3613274900	L'SERIES	1	

10. PLATE T AS (WOOD PLATE)



No.	PARTS NAME	CODE	SPECIFICATIONS	Q'TY	REMARK
F01	FRAME PLATE R	36122UDV00	HIPS	1	
F02	PLATE T	3614542700	WOOD	1	
F03	FRAME PLATE F	36122UDU00	HIPS	1	
-	FIXTURE PLATE T	3612007500	STAPLE	14	
-	PLATE T AS	3614542900	L-SERIES WOOD TYPE		F1+F2+F3+FIXTURE PLATE T

11. ACCESSORIES

HOSE INLET AS	MANUAL OWNERS	CAP HOLDER (4EA)	GUIDE HOSE DRAIN (OPTION)	UNIT SVC WRENCH (OPTION)
 <p>G01</p>	 <p>G02</p>	 <p>G03</p>	 <p>G04</p>	 <p>G05</p>

No.	PARTS NAME	CODE	SPECIFICATIONS	Q'TY	REMARK
G01	HOSE INLET AS	3613216105	SCREW, COLD, NEW IM, G/S	1	
		3613216115	SCREW, HOT, NEW IM, G/S	1	
G02	MANUAL OWENERS	3613725740	L'S	1	
G03	CAP HOLDER	3610916400	PP, DWD-100DR	4	
G04	GUIDE HOSE DRAIN	3612502300	PP,JI-360	1	
G05	UNIT SVC WRENCH	36189L3X10	EGI, 2.3T, DWD-100DR	1	
	BOX PACKING	3610528400	650*730*880, PAPER	1	
	BOX BOTTOM	3610528500	PAPER	1	

4. CONTROL PART FUNCTION SPECIFICATION

1. SEQUENCE CHART

Division		Time	Cotton/Noraml		Synthetic	Delicate	Intensive
			Small	Middle	Small	Small	Middle
P R E. W A S H	Sensing	20sec					
	Water Supply	2min					■
	Pre. Wash	10min					■
		8min					
	Drain	1min					■
	Balancing Spin	2min					■
Mid. Spin	3min					■	
W A S H I N G	Sensing	20sec	■	■	■	■	■
	Water Supply	2min	■	■	■	■	■
	Washing 1 (Heating)	90min					
		50min					
		20min		■			
		15min	■	■	■		■
		10min	■	■	■		■
	Washing 2	65min	28min	28min	23min	28min	33min
25min		■	■	■	■	■	
15min		■	■	■	■	■	
R I N S E	Drain	1min	■	■	■		■
	Balancing Spin + Remove Bubble	2min	■	■	■		■
	Mid. Spin	4min	■	■	■		■
	Water Supply	2min	■	■	■		■
	Rinse 1	3min	■	■	■		■
	Drain	1min	■	■	■	■	■
	Balancing Spin	2min	■	■	■	■	■
	Mid. Spin	4min	■	■	■	■	■
	Water Supply	2min	■	■	■	■	■
	Rinse 2	3min	■	■	■	■	■
	Drain	1min	■	■	■	■	■
	Balancing Spin	2min	■	■	■	■	■
	Mid. Spin	4min	■	■	■	■	■
	Water Supply	2min	■	■	■	■	■
Rinse 3	3min	■	■	■	■	■	
S P I N	Drain	1min	■	■	■	■	■
	Balancing Spin	2min	■	■	■	■	■
	Main Spin	7min	■	■	■	■	■
		5min	■	■	■	■	■
		3min	■	■	■	■	■
END	Crease care	1min	■	■	■		■
	End	10sec	■	■	■	■	■
Remain Time Display			1:32	1:37	1:27	55	2:28
NOTE		1. In the Cotton/Normal Course, if select 95°C ,real temperature is 85°C and Heat OFF. 2. As cannot reach the temp. end of the heating. 3. <Notice> • In case of selecting Cotton/Normal and 60°C of washing temperature, total operation time is expected to take 3:16 and the Time Display shows it.					

Division		Time	Quick 20	Sports Wear	Tub Clean	Drain	
			Small	Small	Small	Small	
W A S H I N G	Soal	30min					
	Water Supply	2min	■(1min)	■	■		
	Washing 1 (Heating)	60min					
		50min					
		35min					
		30min					
		5min					
	Washing 2	13min			■		
		10min			■	■	
		4min	■(3min)	■	■		
R I N S E	Drain	1min					
	Balancing Spin	2min					
	Mid. Spin	4min		■			
	Water Supply	2min		■			
	Rinse 1	3min		■			
	Drain	1min	■(1min)	■	■		
	Balancing Spin	2min	■(1min)		■		
	Mid. Spin	4min	■(2min)	■	■		
	Water Supply	2min	■(1min)	■	■		
	Rinse 2	3min	■(1min)	■	■		
	Drain	1min	■(1min)		■		
	Balancing Spin	2min	■(1min)		■		
	Mid. Spin	4min	■(2min)		■		
	Water Supply	2min	■(1min)		■		
	Rinse 3	3min	■(1min)		■		
S P I N	Drain	1min	■(1min)	■	■		
	Balancing Spin	2min	■(1min)		■		
	Main Spin	7min				■	
		5min			■	■	
		30min	■(2min)	■	■		
D R Y	Crease care	60sec			■		
	Drain	1min			■		
	Dry	100min			Add 46min, only dry model		
		30min			■		
	Cooling	5min			■		
	End	10sec			■		
E N D	Crease Care	30min			■		
	Crease care	1min		■			
	End	10sec	■	■	■		
Remain Time Display			20	50	1:17(2:03)	1	
NOTE							

2. Skill of each Sequence

2-1. Washing Sequence

1) Washing Sequence part

Course \ Part	LOAD SENSING	Water Level	Time	
			HEATING	Washing
Main	O	Decision Level	Decision Level	Decision Level
pre	O	Decision Level	X	8min
Soak	O	High	X	30min

- ① Prewash and Soak working previous main washing.
- ② Decision Level' decide Water Level and Time to Load Sensing in Normal, White, Eco-White Course.
- ③ Soak consist of water supply and washing, after this, start main washing.
- ④ Heater does not working in prewash and soak course.

2) Washing Time

Course \ Part		Water Level	HEATING Time	Washing Time	Total Washing Time
Cotton/ Normal	30°C	Small	10min	28min	38min
		Middle	15min	28min	43min
	40°C	Small	15min	28min	43min
		Middle	20min	28min	48min
	60°C	Small	30min	28min	58min
		Middle	35min	28min	63min
90°C	Small	60min	28min	88min	
	Middle	70min	28min	98min	
Synthetic	30°C	Small	15min	23min	38min
	40°C	Small	20min	23min	43min
Delicate/Hand Wash		Small	0min	18min	18min
Intensive	30°C	Middle	25min	33min	58min
	40°C	Middle	35min	33min	68min
	60°C	Middle	50min	33min	83min
	90°C	Middle	90min	33min	123min
Quick 20	Cold	Small	0min	4min	4min
Sports Wear	30°C	Small	10min	13min	23min
	40°C	Small	20min	13min	33min
Tub Clean		Middle	0min	10min	10min
Drain		-	0min	0min	0min

- ① Washing Heater isn't reworking after reach decision temperature.
- ② Normal Course + 40°C include 7 min that heater does not working.
- ③ If Set up Normal + 40°C then main washing time is 40 min.
- ④ If LS value is more than 360, 1 hour add in Washing Time.

3) Electric Current Time of Washing Motor

Course	Part Water Supply	Water Temperature	MOTOR TIME On/OFF(sec)			Speed	
			Washing		Soak		Crease Care
			Heating	Main Washing			
Cotton/Normal	5/10	10/10	18/6	15/180	10/5	45 r.p.m	
Synthetic	5/10	10/10	18/6	15/180	10/5	45 r.p.m	
Delicate/Hand Wash	X	X	3/30	15/180	X	45 r.p.m	
Intensive	5/10	10/10	10/5	15/180	10/50	45 r.p.m	
Quick20	5/10	X	10/5	15/180	10/50	45 r.p.m	
Sports Wear	5/10	10/10	15/6	15/180	10/50	45 r.p.m	
Tun Clean	5/10	X	10/30	15/180	10/50	45 r.p.m	
Drain	-	-	-	-	-	-	

- ① It works decision cycle
- ② If Motor Restriction occur by overload, Motor try to rework opposite direction.
- ③ While Water Supply, Motor Stir proceed ON first.
- ④ Crease Care is process of removal laundry that stick to drum. It works after Spin Sequence.
- ⑤ Electric Current Time of Washing Motor ON/OFF Time is finishing washing of Steam White and Baby Course.
- ⑥ Each Time of Electric Current Time of Washing Motor of Steam White and Baby Course is 10/5, 18/6.

4) Re-Water Supply

- ① It works if water level is lower than decision level
- ① Motor stopped while Re-Water Supply
- ① While Wash Sequence Re-Water Supply works 15 times.
- ① If Water Level is lower than RESET Level, Display IE and Heater off.

2-2. Rinse Sequence

1) Water Supply Sequence

Water Level \ part	level height(mm)	KHz	etc
Mid	225	24.32	Rinse water level

- ① Only cold water supply in Rinse Sequence
- ② In last Rinse Sequence, use fabric conditioner by open water valves.

2) Re-Water Supply

- ① After 1 min in Rinse Sequence, check water level and work Re-Water Supply.

3) Rinse Sequence

Water Level \ part	Water Temp	Rinse Time	Mid. Spin	Mid. Spin r.p.m.	MOTOR On/OFF (sec)		
					rpm.	water supply	rinse
Cotton/Normal	Cold	3min	4min	mid	45 r.p.m	5/10	10/5
Synthetic	Cold	3min	4min	mid	45 r.p.m	5/10	10/5
Delicate/Hand Wash	Cold	3min	4min	weak	45 r.p.m	X	10/5
Intensive	Cold	3min	4min	strong	45 r.p.m	5/10	10/5
Quick20	Cold	1min	2min	mid	45 r.p.m	5/10	10/5
Sports Wear	Cold	3min	4min	mid	45 r.p.m	5/10	10/5
Tun Clean	Cold	3min	4min	weak	45 r.p.m	5/10	10/5

4) Drain

- ① Before Drainage Sequence, Water Temp. is dropped by cold water supply.
- ② After Drainage Sequence, Drain Motor is still ON

5) Mid. Spin

- ① Mid Spin is performed to decide r.p.m. If it can't R-Spin while performs 20 times, pass to next sequence.
- ② In Shoes Course, does not work B-Spin.

2-3. Spin Sequence

1) Drain

- ① It follows Drainage Sequence.

2) Balance Spin

- ① If Unbalance Check pass, Start R-Spin.
- ② B-Spin is Until Unbalance check section, 350 r.p.m

3) R(Real) Spin

- ① From end of B-Spin to end of Spin Sequence is R Spin.
- ② r.p.m is affected by sequence

4) Shoes Spin

- ① Balace Spin does not work.

2-4. End

1) Crease Care

- ① Crease Care is process of removal laundry that stick to drum. It works 30sec ,after Spin Sequence.
- ② Wool and Shoes course don't work crease care

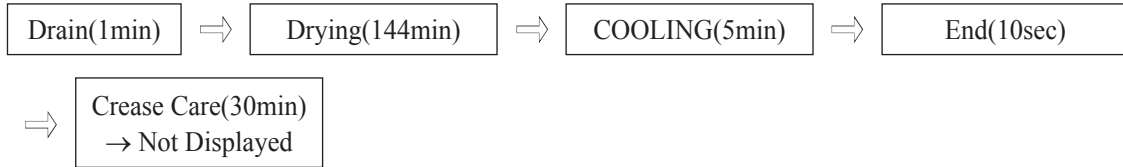
2) End

- ① After 10 sec power off ,alamed END.
- ② If drying sequence added, drying sequence works.
- ③ After END , door unlock.

2-5. Drying Sequence

1) Consist of drying sequence.

ex) select normal drying (Total spend time 2:30)



2) Electric Current Time of Dry Sequence.

	Crease Care	Drying	COOLING	Wrinkle Free	Time	Heater Off/On Temperature(°C)
Low	10/5	15/5	10/10	10/50	100	70/60
Iron	10/5	15/5	10/10	10/50	90	105/90
Cupboard	10/5	15/5	10/10	10/50	250	105/90
Very	10/5	15/5	10/10	10/50	270	105/90

3) Drying V/V working

① It works from the after 20sec, In Drying Sequence to End of Drying Sequence.

4) COOLING

① Fan motor and Main motor work at once during Cooling Sequence.

② Temp. of Drum is less than 50°C finish Cooling Sequence.

③ Cooling time is total 5 min.

5) Drying Heater working

① Drying Heater works until End of Drying Sequence.

② Shoes Course : 70°C OFF / 60°C ON

③ Air Course : 80°C OFF / 70°C ON

6) Crease Care

① Crease Care performs after Drying Sequence for 30 min.

② Only Motor work during Wrinkle Free

3. Main Function of PCB Program

3-1. LOAD SENSING

1) Deciding the water level

- ① Normal, White, Eco-White Course will be followed by this process.
- ② Check the water level with dry laundry at the starting wash.
- ③ Check the water level by using motor output data during 20 sec, 65rpm.

2) Deciding Spin Starting Step.

- ① Check after finishing washing step with wet laundry.
- ② Checking by using motor output data during 20 sec, 65 rpm.
- ③ The Decided data is different depending on loading condition.

3-2. Balance Spin

1) Motor runs during balance spin

- ① Spreading the laundry : Rotating the same 45 rpm with left and right direction alternatively.
- ② Unbalance checking point : first step, check the U.B at 95 rpm, 160 rpm second step, check the U.B at 95 rpm 350 rpm.
Third step at 300 rpm. If the unbalance data is over the criterion
This process will be repeated.
- ③ After drain, check the unbalance data again. This is so-called balance spin step.

3) Property of balance spin

- ① Conducting 20 times maximum.
- ② If the washer can not pass balance spin step during 20 times, then water will be supplied.
- ③ If the washer can not pass 20 times of balance spin, UE error mode will be displayed on '18:88'

3-3. DOOR S/W

1) The working principle of Door S/W

- ① Door Locking
Bimetal on (3 sec) → solenoid (supply 20msec pulse 2 times)
- ② Door Unlocking
Bimetal off → solenoid(supply 20msec pulse, until lock)
- ③ After door locking all parts can work normally.
- ④ After pressing power button, if the temperature of wash thermistor is over 55°C or the water level is over the safety level, the door will be locked.
- ⑤ The door will be unlocked immediately after all processes are finished.
- ⑥ The door can be opened during processing if there is no problem to unlock.

2) DOOR OPEN SYSTEM

- ① If add the laundry during washing, press the door unlock button.
- ② Door open sequence at abnormal condition.

3-4. Child Lock

- ① Press the "Wash" and "Temp." button simultaneously during processing.
- ② Under the Child Lock function, only power button is working.
- ③ During Child Lock function, CHL will be displayed on '18:88'
- ④ In order to unlock Child Lock mode, press "Wash" and "Temp." simultaneously.

3-5. The sequence of drain

- ① If the checking time to reset point is below 1 min, the remaining drain time is 30 sec.
- ② If the checking time to reset point is over 1 min, the remaining drain time is 2 min.
- ③ If the checking time to reset point is over 10 min, OE signal will be appeared on PCB.
- ④ If the temperature is over 50°C, the water will be supplied to high water level, then the drain will start.

5. TEST MODE

5-1. Testing Mode

PCB and other electronic parts will be tested without water supply whether they are normal or not.

1) Process

Press power button → Press "SPIN" button 3 times with pressing "WASH" button → 'L d' will be shown on LED → Whenever pressing "TEMP" button 1 time, below process will be occurred.

MICOM Ver. → L C (Lock Closed) → Run (count) → b1, b2, b3, b4, b5, b6,

→ F (Fan Motor) → H (Hot V/V)

→ C (Cold V/V) → P (prewashing V/V) → d (dry V/V) → s(steam V/V) → bb (bubble)

→ dr (drain motor) → CR(circulation) → L O(Lock S/W Open)

2) More details

- ① When turn on 'LOCK' signal, all process is conducting normally.
- ② When working starts, the PCB displays all the sensor conditions.
- ③ In this case, BLDC Motor is not tested. In order to test it, select spin or rinse.

5-2. LED testing mode

1) Process

After pressing "TEMP", "WASH", "SPIN" button simultaneously, press "POWER" button.

ALL LED On → SPIN button → ALL LED off

2) More tails

- ① LED test can be done with all LED On.

6. Error Display

MESSAGE	ERROR	CAUSE	SOLUTION
IE	WATER INLET ERROR	The water tap is closed.	Open the water tap.
		The filter of the valve inlet is clogged.	Clean the filter of the valve inlet.
		The valve inlet is an inferior product or broke down.	Change the valve inlet.
		The water level sensor (sensor pressure) is an inferior product or broke down.	Change the water level sensor (sensor pressure).
		The drain motor works during water supply.	Change the drain motor.
		The PCB ASS'Y does not check the water level.	Change the PCB ASS'Y.
OE	DRAIN ERROR	The drain hose is kinked or clogged.	Clean and straighten the drain hose.
		The drain motor is an inferior product.	Change the drain motor.
		The valve inlet works during drain.	Change the valve inlet
		The water level sensor is an inferior product .	Change the water level sensor.
		The PCB ASS'Y does not check the water level.	Change the PCB ASS'Y.
UE	UN-BALANCE ERROR	The laundry is concentrated to one side of the drum during spin.	Rearrange the laundry.
LE	DOOR OPEN ERROR	The Start/Hold button is pressed while the door is opened.	Close the door.
		The switch door lock is an inferior product.	Change the switch door lock.
		The PCB ASS'Y does not check the door lock.	Change the PCB ASS'Y.
E1	Water level detection error	Water level is below reset or overflow is detected	Change the sensor pressure.
E2	OVER FLOW ERROR	The water is supplied continuously due to an inferior valve inlet.	Change the valve inlet.
		The valve inlet is normal, but the water level sensor (sensor pressure) is inferior.	Change the water level sensor (sensor pressure).
		The drain motor dose not work. (The fan motor is an inferior product or broke down.)	Change the drain motor.
E3	FAN MOTOR ERROR	The fan motor does not work. (The fan motor is an inferior product or broke down.)	Change the fan motor.
		The PCB ASS'Y does not control the fan motor.	Check the connector or change the PCB ASS'Y .
E4	LEAKAGE ERROR	Water leaks from the tub or the hose drain.	Check the leak of the tub or the hose drain. Then change the tub or the hose drain.
		The foreign matter is jammed in the drain bellows. (Non-pump model)	Remove the foreign matter in the drain bellows.
E5	HIGH VOLTAGE ERROR	The laundry is jammed between the gasket and the drum.	Rearrange the laundry.
		The PCB ASS'Y is an inferior product.	Change the PCB ASS'Y.
E6	EMG ERROR	The laundry is jammed between the gasket and the drum.	Rearrange the laundry.
		The motor is an inferior product.	Change the motor.
		The PCB ASS'Y is an inferior product.	Change the PCB ASS'Y.

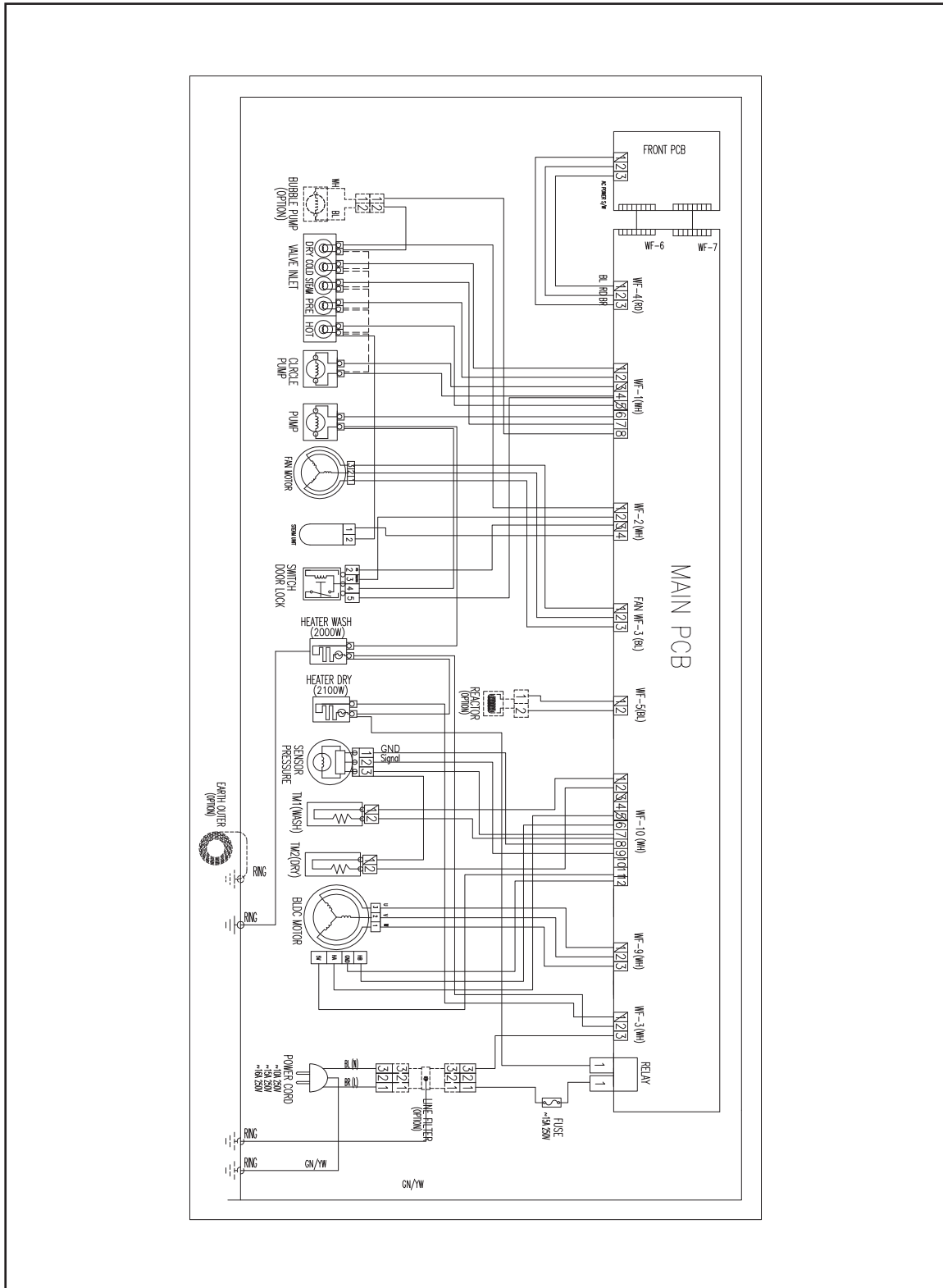
MESSAGE	ERROR	CAUSE	SOLUTION
E7	DIRECTION	The motor spins into an opposite direction.	Change the PCB ASS'Y or the motor.
		The motor hall IC is an inferior product or broke down.	Change the motor hall IC or the motor.
E8	MOTOR ERROR	The motor is not normally connected.	Check the connector of the motor.
		The motor does not work. (The motor is an inferior product or broke down.)	Change the motor.
E9	SENSOR PRESSURE ERROR	The water level sensor is an inferior product.	Change the water level sensor.
H1	THERMISTOR (TEMP. SENSOR) DRY ERROR	The thermistor dry is an inferior product or broke down.	Change the thermistor dry.
		The thermistor dry is not connected normally.	Check the connector of the thermistor dry.
H2	THERMISTOR WASH ERROR	The thermistor wash is an inferior product or broke down.	Change the thermistor wash.
		The thermistor wash is not connected normally.	Check the connector of the thermistor wash.
H3	THERMISTOR DRY OVERHEATING ERROR	The fan motor does not spin with the proper rpm. (The fan motor is an inferior product or broke down.)	Change the fan motor.
		The thermistor dry is an inferior product or broke down.	Change the thermistor dry.
H4	THERMISTOR WASH OVERHEATING ERROR	The heater worked without the water in the tub.	Check the water level.
		The thermistor wash is an inferior product or broke down.	Change the thermistor wash.
H5	WATER TEMP. ERROR	The water temp. is over 45°C in delicate & wool course.	Change the thermistor wash.
H6	HEATER WASH ERROR	The heater wash dose not work. (The water temp. doesn't rise over 2°C during 15min.)	Change the heater wash.
H7	HEATER DRY ERROR	The heater dry dose not work. (The water temp. doesn't rise over 3°C during 8min.)	Change the heater dry.
H8	HEATER WASH OVERHEATING ERROR	The heater worked without the water in the tub.	Check the water level and the heater wash.
PFE	PUMP FILTER ERROR	The drain pump filter is clogged.	Clean the drain pump filter.
		The drain pump does not work during spin.	Change the drain pump.
		The large amount of detergent was used.	Use the proper amount of detergent.
		The drain hose is placed higher than 1m above the floor.	Place the drain hose 1m below the floor.

5. ELECTRONIC FIELD PARTS LIST AND SPECIFICATION

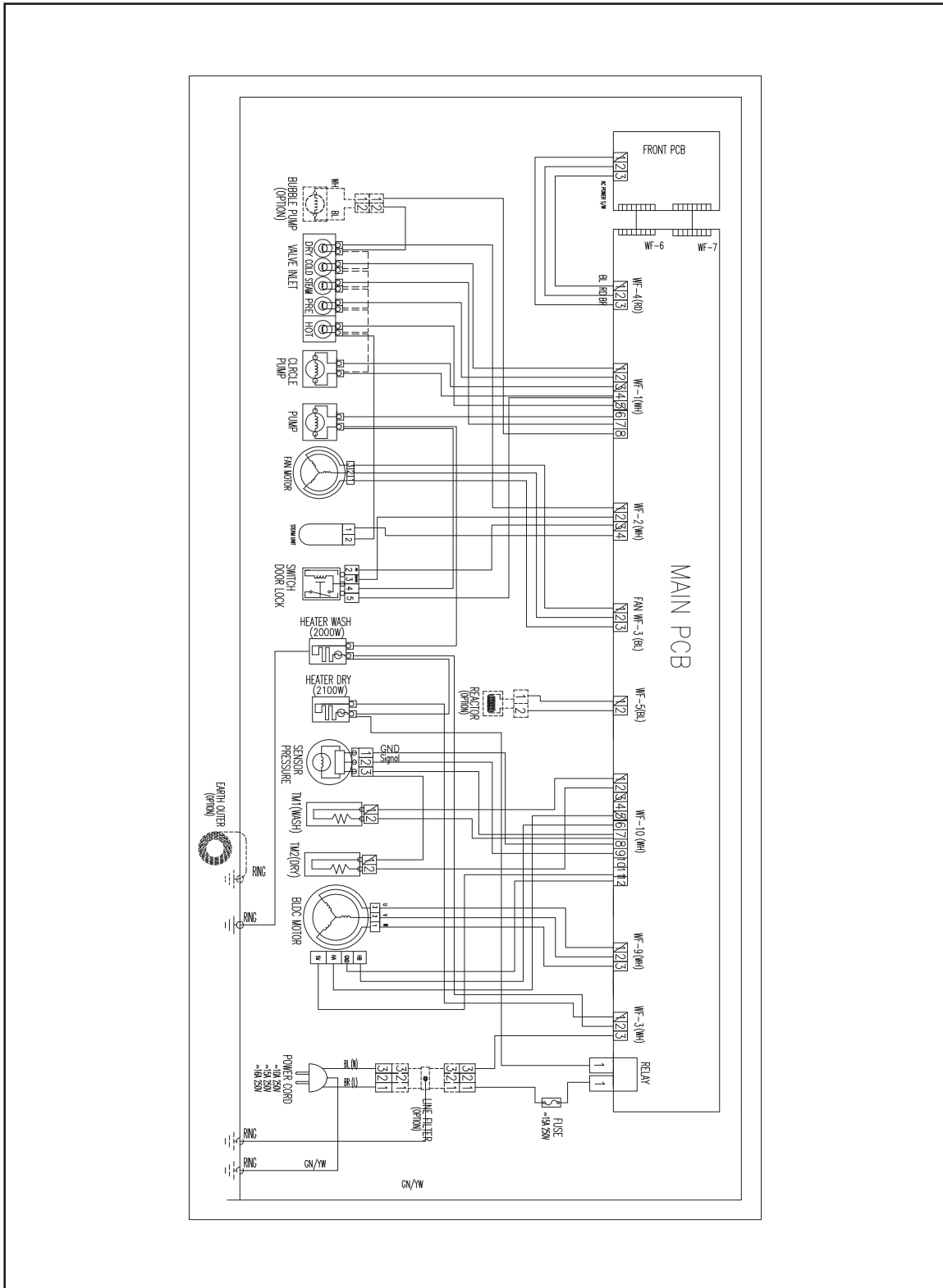
No	Part Name	Part Code	classification	SPECIFICATIONS	Q'ty
1	SWITCH DOOR LOCK	3619047230	Common	DL-S2, 250V16A, BITRON, VE-TYPE	1
		3619047210	Common	DL-S1, 125V16A, BITRON	1
2	Valve Inlet	3615414820	Common	220-240V 1-WAY HOT PP-BRACKET	1
3	Valve Inlet	36154L3B00	New	220-240V.VDE.BITRON.3WAY V2:STEAM	1
4	Reactor AS	3615800100	Common	DWD-800W RT--046B	1
5	Valve Inlet	36154L3A00	New	220-240V,4WAY,Steam&Dry	1
6	Unit Drain Pump AS	36189M2T00	New	40W,Circulation Pump (Pump 2EA + Bracket)	1
		36189S1500		AC220V/60HZ HANYU,AL,30W,SINGLE PUMP,FILTER NEW	
		36189S1600		AC220~240V/50HZHANYU,AL,30W,SINGLE PUMP,FILTER NEW	
		36189S1700		AC220V/60HZ HANYU,AL,30W,DUAL PUMP,FILTER NEW	
		36189S1800		AC120V/60HZ HANYU,CU,30W,DUAL PUMP,FILTER NEW	
		36189S1900		AC120V/60HZ HANYU,CU,30W,SINGLE PUMP,FILTER NEW	
7	Sensor Pressure	3614825240	New	Inlet	1
8	EMI Filter	3611910900	New	DFC-2710D 250V~ 10A 50/60HZ	1
		3611912000	New	DFC-2712D-10A44GW 250V~ 12A 50/60HZ(NEW BRACKET)	1
9	Unit Steam AS	36189M2U00	New	230V 900W	1
10	Harness AS	3612799A00	New	UNIVERSAL_COMBO FULL OPTION	1
		3612799B00		DD_COMBO FULL OPTION	
		3612799C00		UNIVERSAL_WASH FULL OPTION	
		3612799D00		DD_WASH FULL OPTION	
11	Heater Wash	3612803700	Common	230V 2000W.1R5A721002.IRCA FUSE 2EA	1
12	Thermistor Wash	361AAAAB10	Common	R25=1.704K R80=11.981K	1
13	Unit Motor Universal	36189L4H10	Common	DC220/50 G&J 2P PI340 45T(CCA)	1
14	Damper Friction	361A700110	Common	70N AKS ST=170-260 DL=197.5 LOW NOISE	4
15	Unit Bubble Pump AS	36189M2V00	New	L=760	1
16	Unit Stator BLDC	36189L620A	New	30T	1
17	Unit Rotor BLDC	36189L6300	New		1
18	SWITCH THERMOSTAT	3619046500	Common	ON120°C OFF150°C 230V 15A VDE	1
19	Heater Dry	3612801400	Common	230V 2.1KW 25.19OHM 6.1W/SQ INCOLOY800 1R1A034002	1
20	FUSE TEMPERATURE	361A800120	Common	128°C DF-128S 15A 250V VDE	1
21	Thermistor Dry	361AAAAD00	New	L=200 tube	1
22	CORD POWER AS	3611339950	Common	H05VV-F 1.5SQ 250V 16A 1.6M EU-2PIN 6KG	1
23	Unit Fan Motor	36189M2Q00	New	24V DC 14W	1

6. WIRING DIAGRAM

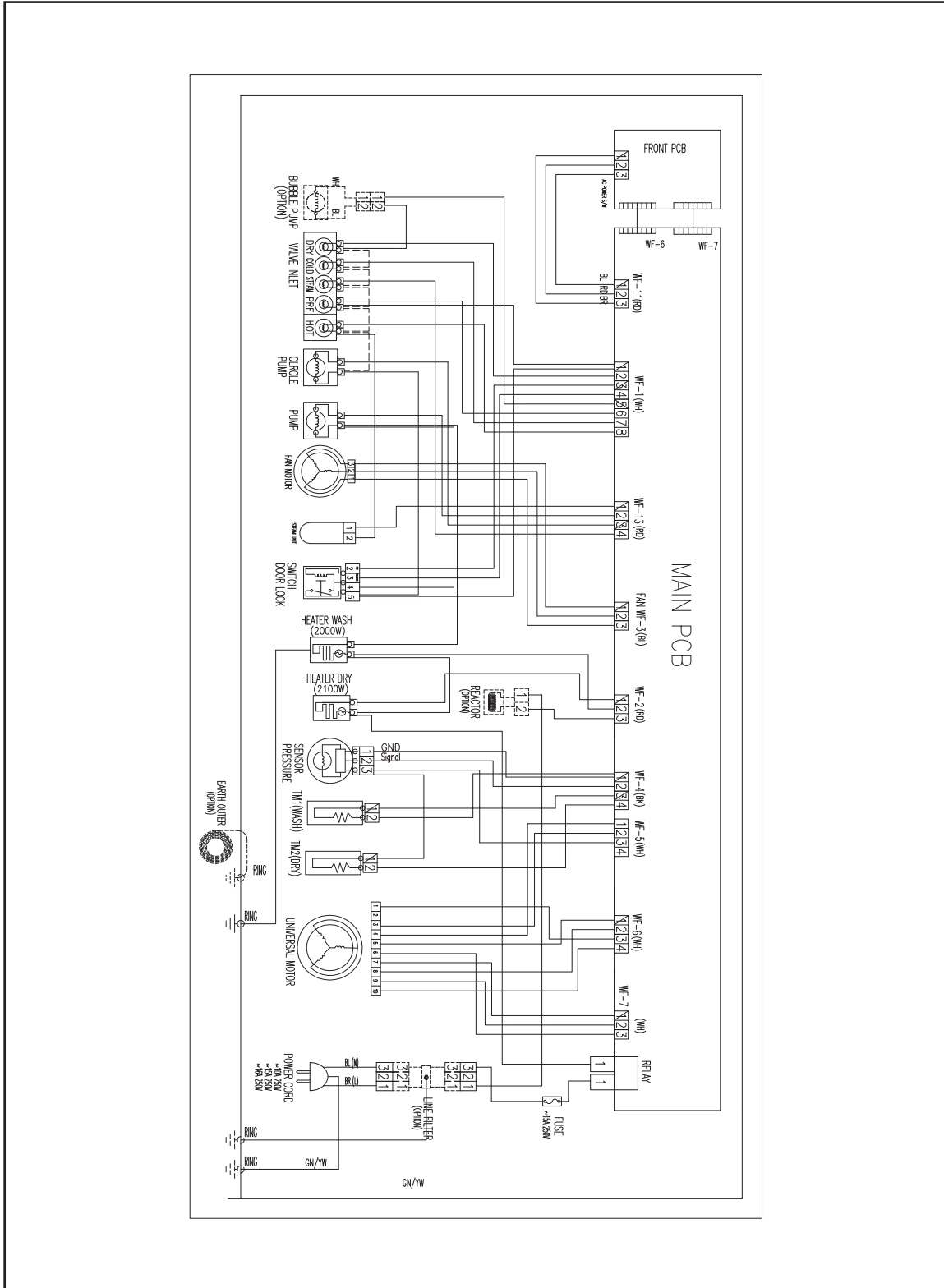
■ DWC-LD'S



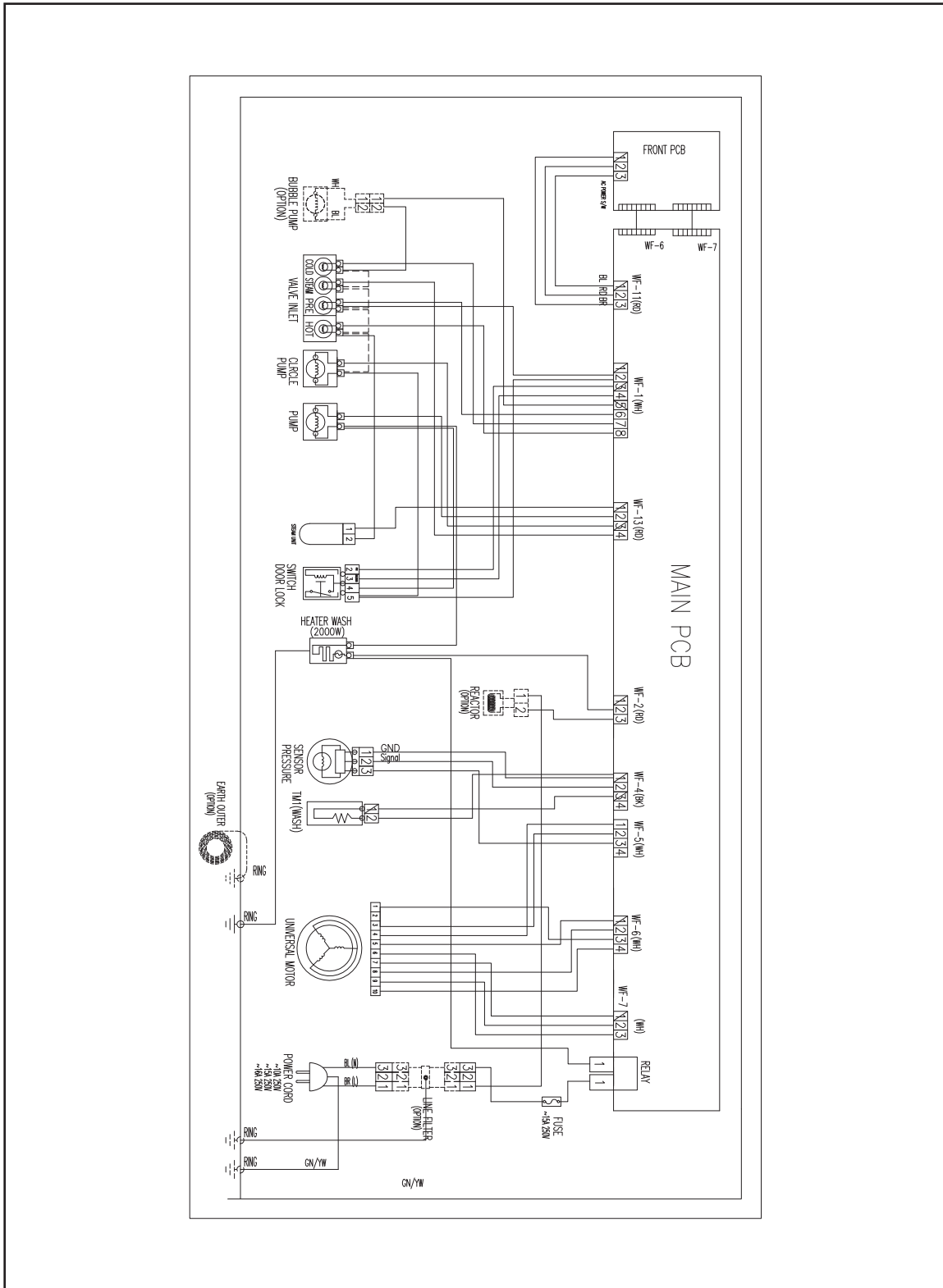
■ DWD-LD'S



■ DWC-LU'S



■ DWD-LU'S





S/M NO. :

DAEWOO ELECTRONICS CORP.
686, AHYEON-DONG MAPO-GU SEOUL, KOREA
C.P.O. BOX 8003 SEOUL, KOREA
TELEX: DWELEC K28177-8
CABLE: "DAEWOOELEC"

PRINTED DATE: Jul. 2012

S/M No. : DWDLD14005

Service Manual

Drum Washing Machine

Model: DWD-L100 Series

DAEWOO

✓ **Caution**

: In this Manual, some parts can be changed for improving, their performance without notice in the parts list. So, if you need the latest parts information, please refer to PPL(Parts Price List) in Service Information Center (<http://svc.dwe.co.kr>).

DAEWOO 
ELECTRONICS

Jul. 2012

ABOUT THIS MANUAL

VISION CREATIVE, INC.
서울 종로구 통의동
6번지 이룸빌딩 4층

담 당	이영배 님 (서비스메뉴얼)		
F.MODEL		BUYER	
B.MODEL	DWD-L100 Series	BRAND	DAEWOO
언 어	영문	COUNTRY	
일 정	1차		
	2차		
	3차		
	4차		
	5차		
제 판		인 쇄	애드컴
규 격			
MEMO 접수 :	(총 44p)_CS4 091005 - 신규 총 44p(1~44) (총 47p) 091021 - 신규 총 6p(6,7,12,13,24,25) 091021 - 수정 총 3p(목차,4,10) 091022 - 수정 총 5p(9,13,26,27,41) 091124 - 수정 총 8p(9~25) 091126 - 수정 총 7p(1,13,24,26~29,31) 091203 - 수정 총 1p(1) 091217 - 신규 총 2p(7,21) . 수정 총 3p(1,13,31) 100308 - 수정 총 1p(17) 100331 - 수정 총 1p(37) 100527 - 신규 총 10p(4,5,6,7,8,9,11,15,17,22) (총 52p) 100611 - 신규 총 10p(13,21~29) (총 48p) 101116 - 수정 총 6p(목차,11,30,40,41,42) 101229 - 수정 총 10p(9,11,17,19,28,29,39,40,41,42) (총 53p) 110331 - 신규 총 12p(목차,6,11,12,13,14,15,22,30,31,32,33) 110927 - 수정 총 2p(16,17)_정재열 님 120712 - 수정 총 9p(17,22,23,30,31,33,46,표1,표4)_정건기 님		

연락처

VISION 담 당방문수(choi).....

TEL : 730-0660 FAX : 730-3788