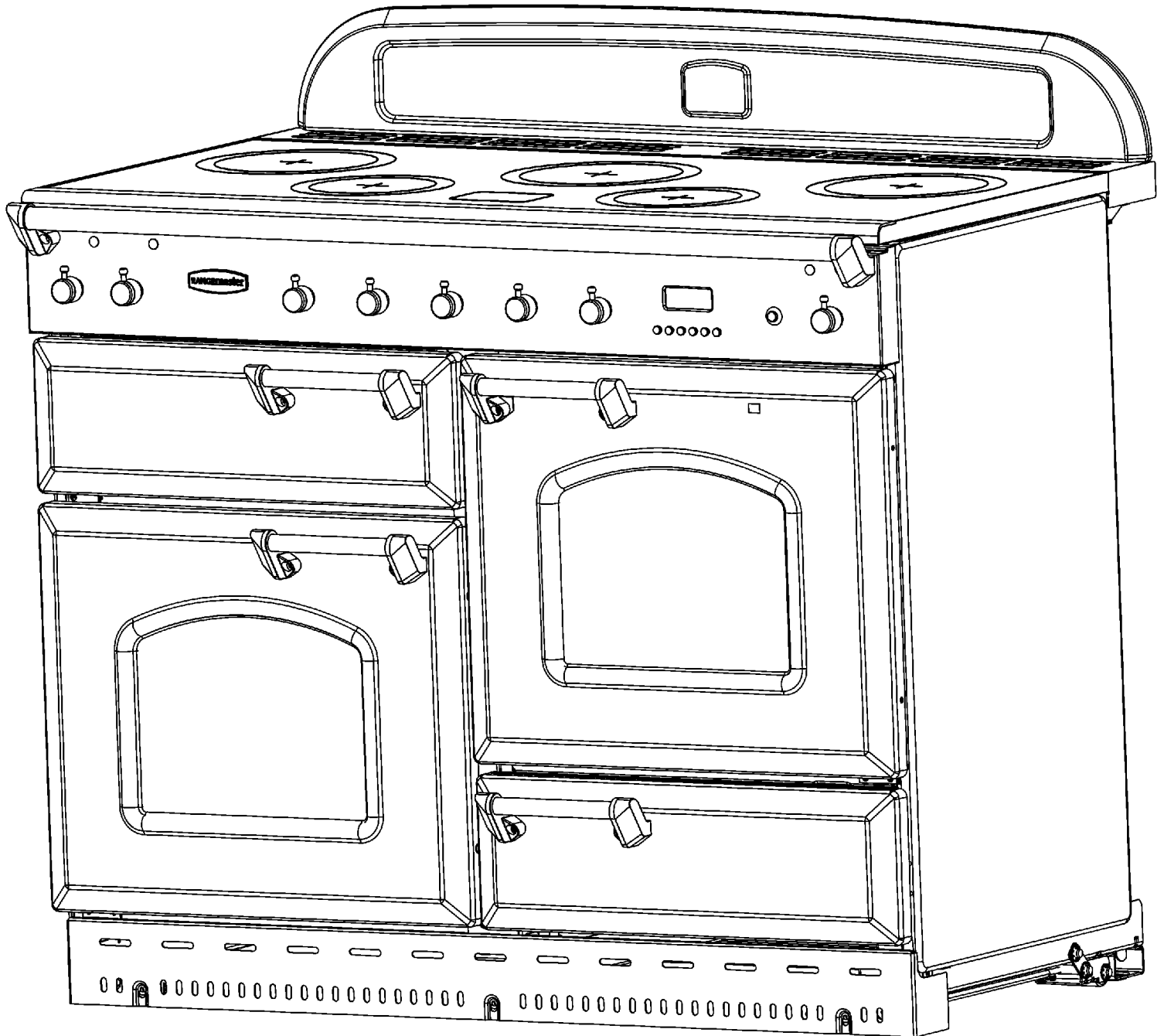


APPLIANCE NAME:
CLASSIC 110 INDUCTION

DATE 13.10.08

DSL0398 P00

ISSUE STATUS 01



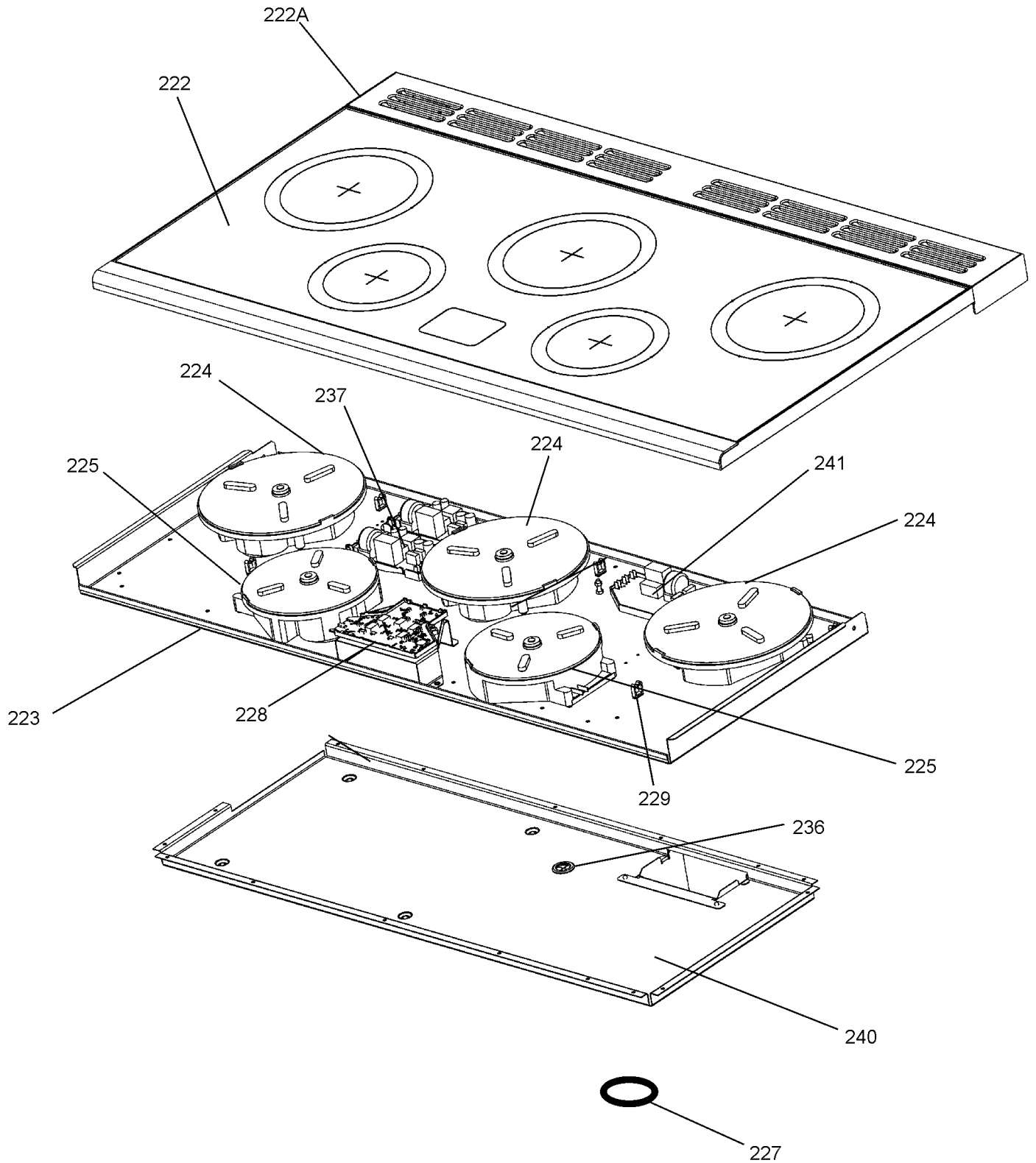
CLASSIC 110 INDUCTION

UP TO SERIAL NUMBER 149999

DATE 15.02.10

DSL0398 P01

ISSUE STATUS 02



CLASSIC 110 INDUCTION

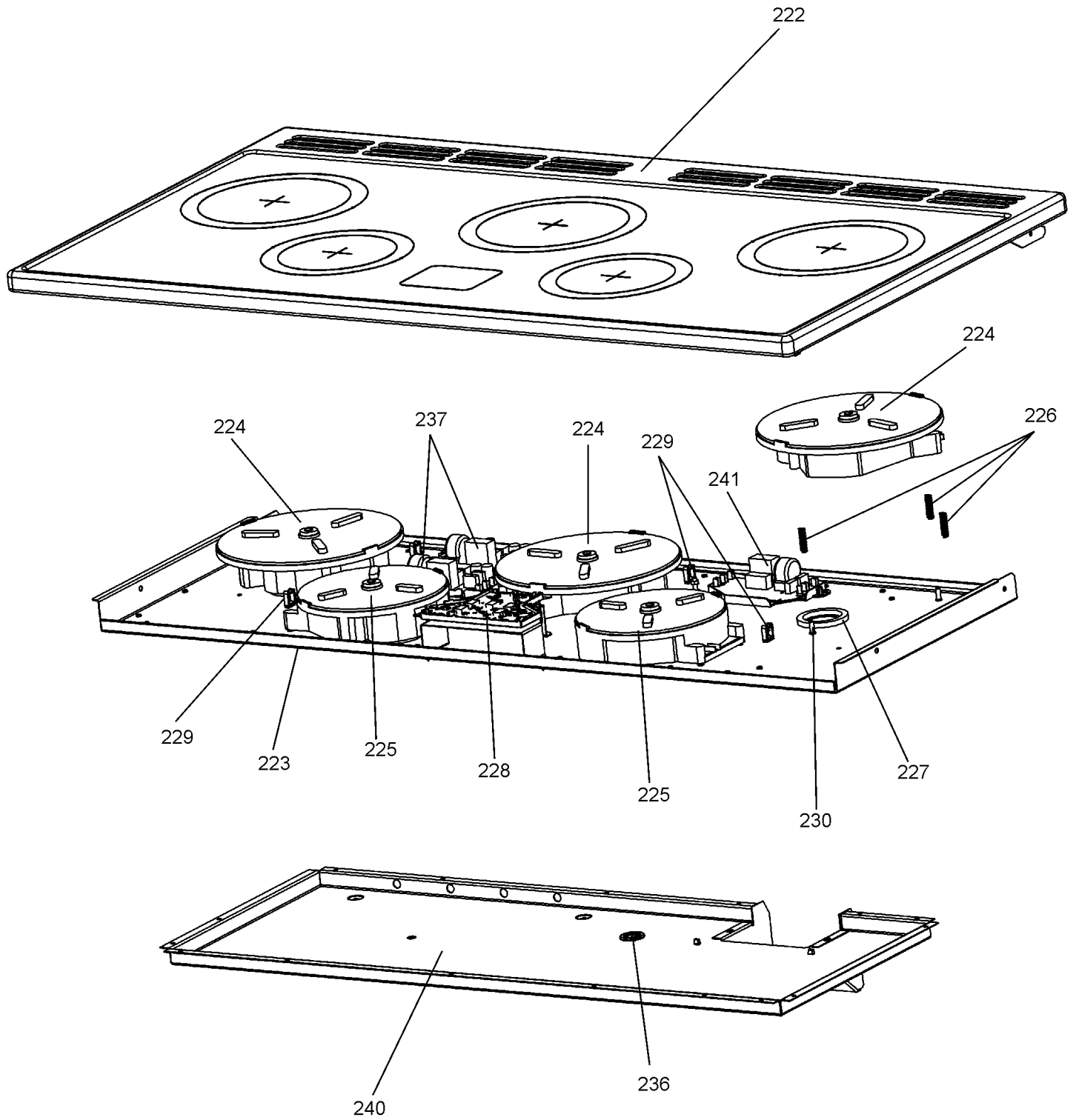
DATE 15.01.13

DSL0398 P01A

FROM SERIAL NUMBER 150000
UP TO SERIAL NUMBER 157999

ISSUE STATUS 03

UK, EU & AUSTRALIA



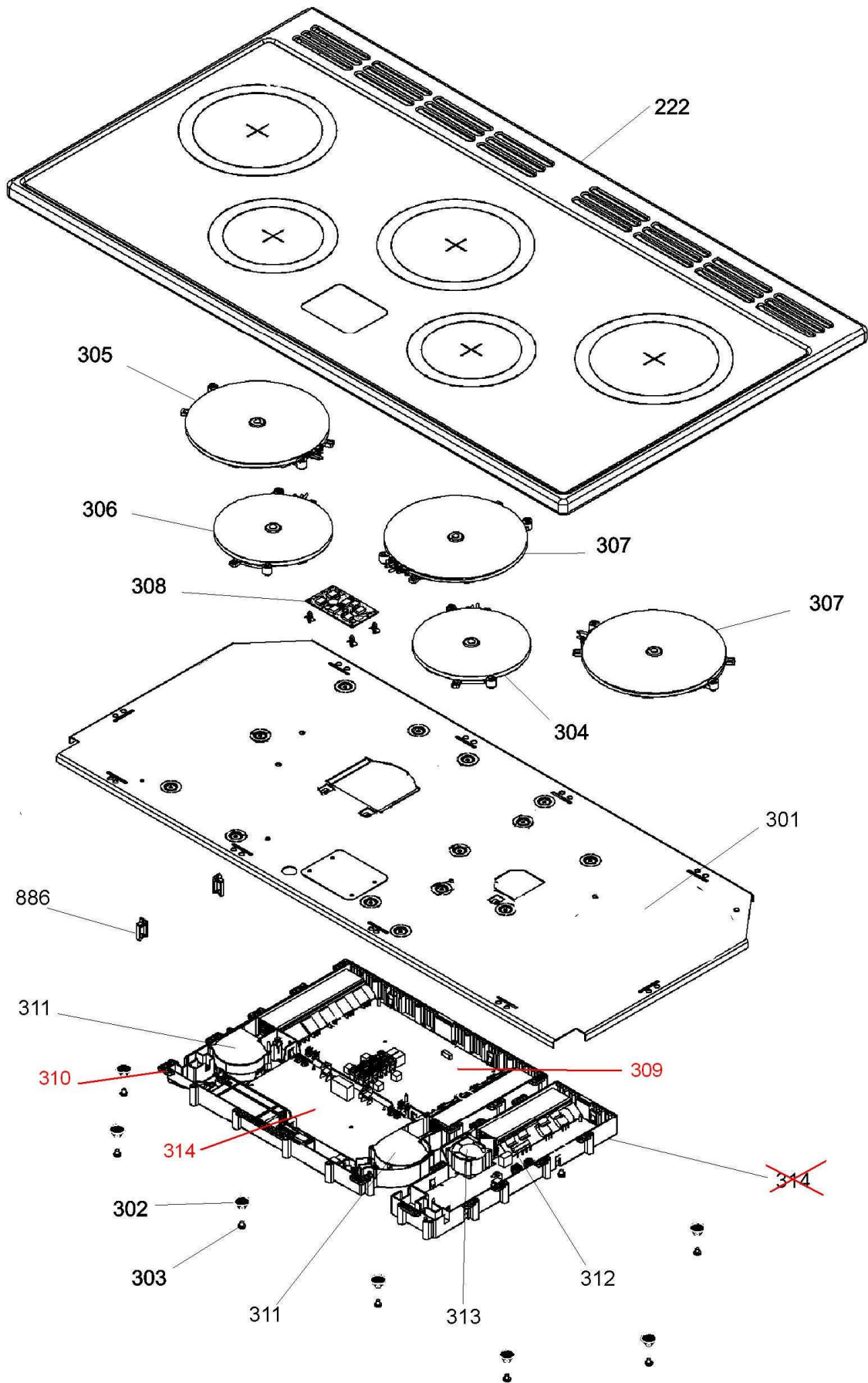
CLASSIC 110 INDUCTION (G5)

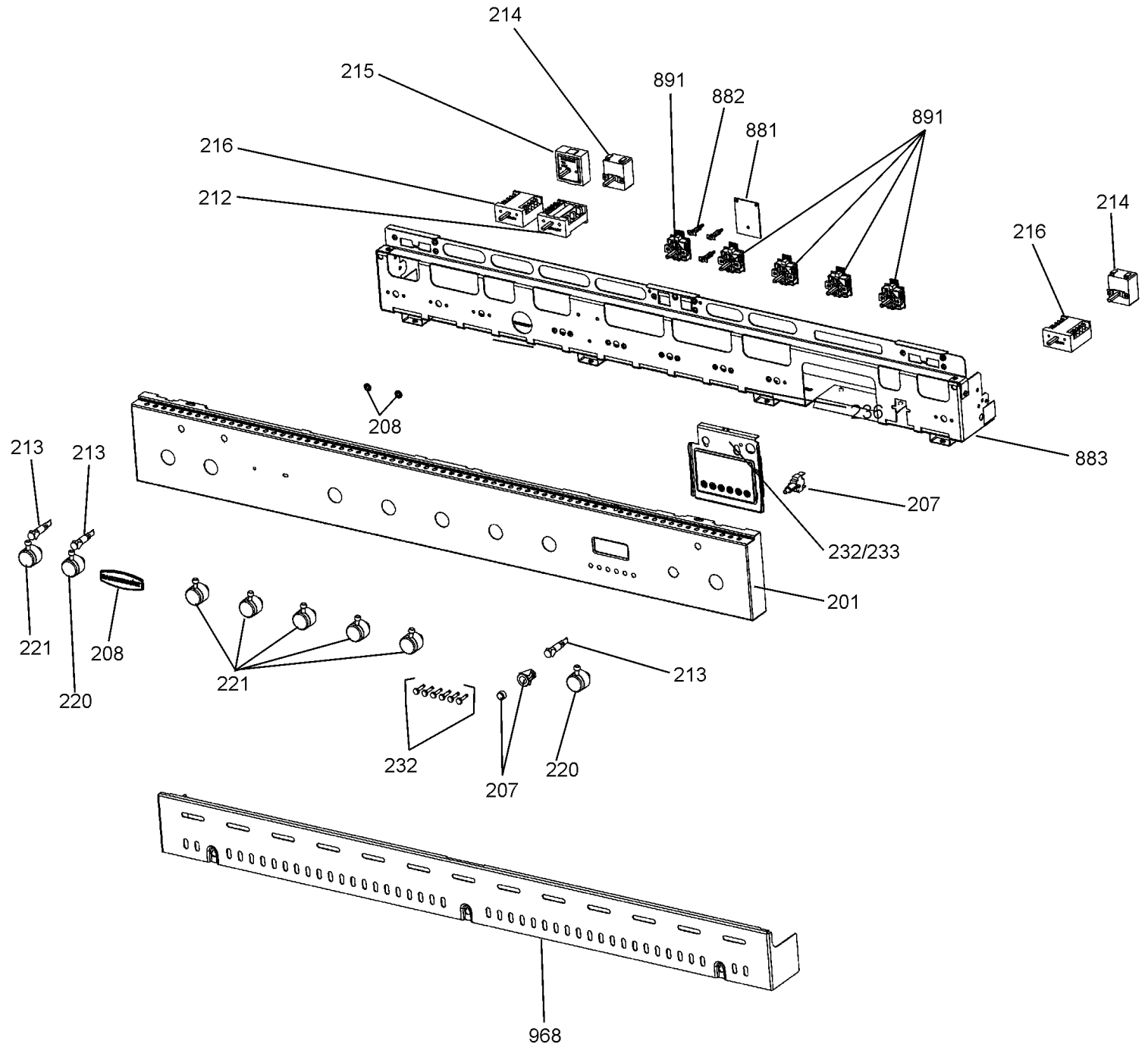
DATE 15.01.13

DSL0398 P01B

ISSUE STATUS 01

FROM SERIAL NUMBER 158000
UK & EU MODELS ONLY



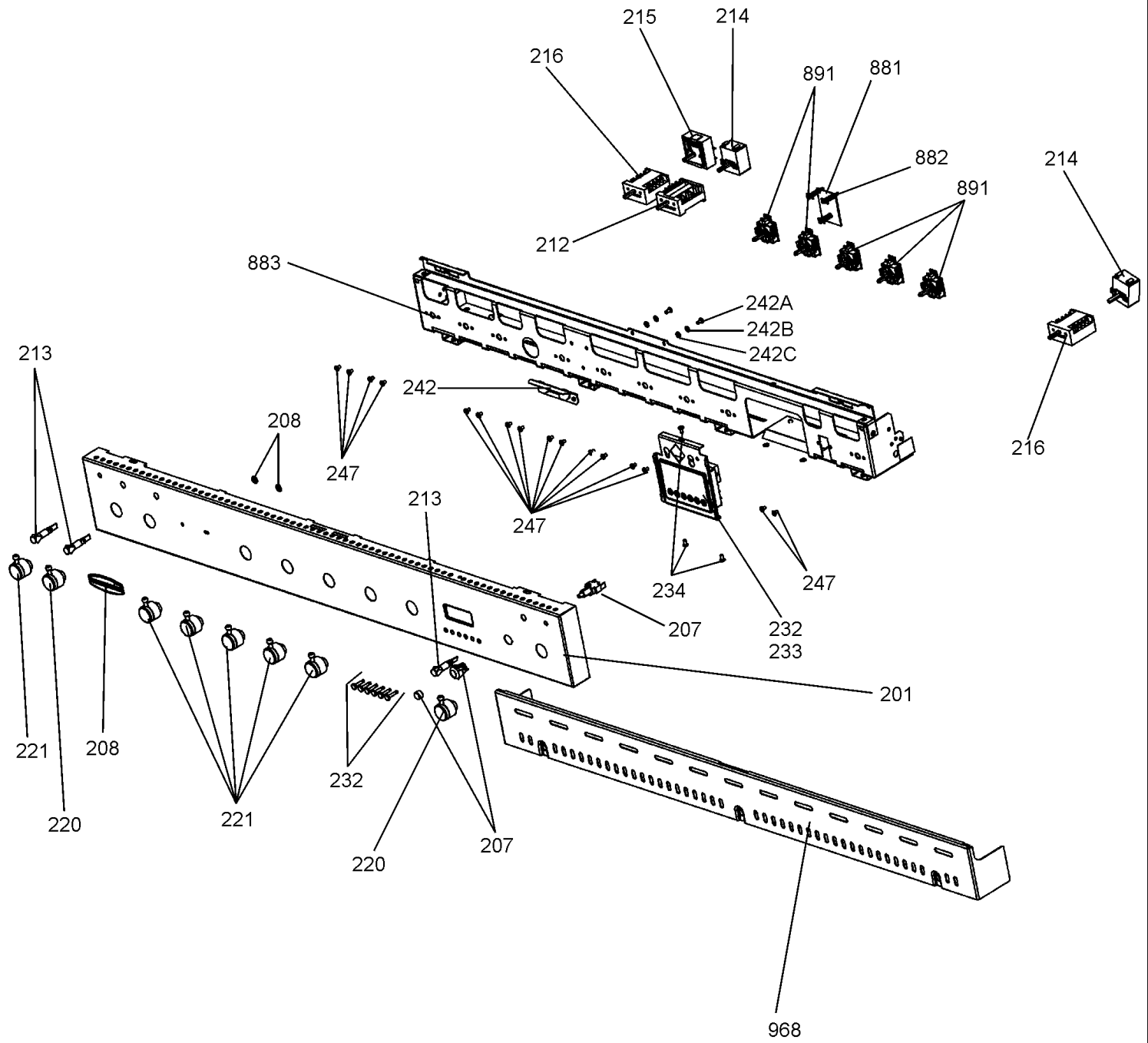


CLASSIC 110 INDUCTION
FROM SERIAL NUMBER 150000
UP TO SERIAL NUMBER 157999

DATE 15.01.13

DSL0398 P02A
ISSUE STATUS 03

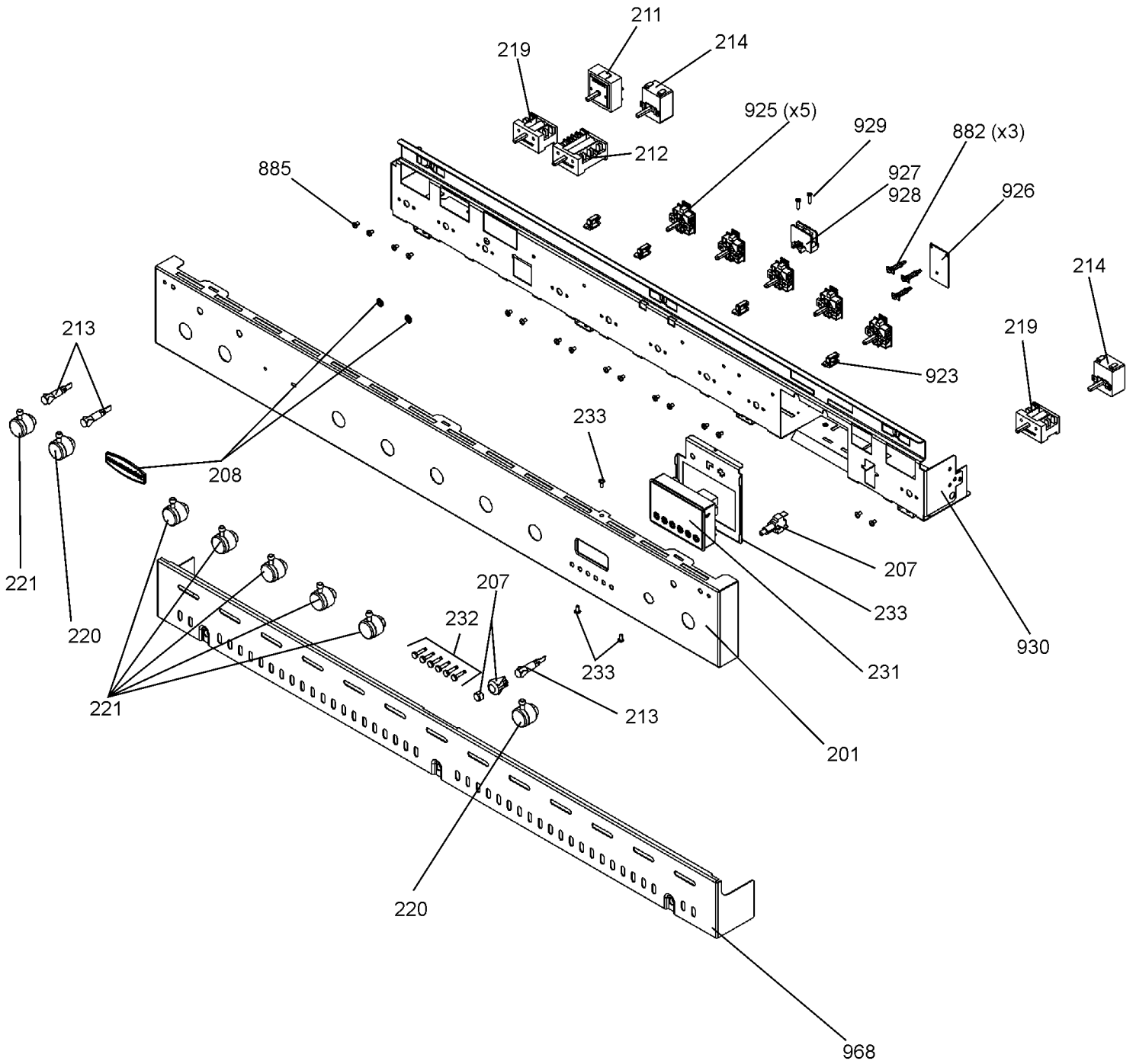
UK, EU & AUSTRALIA

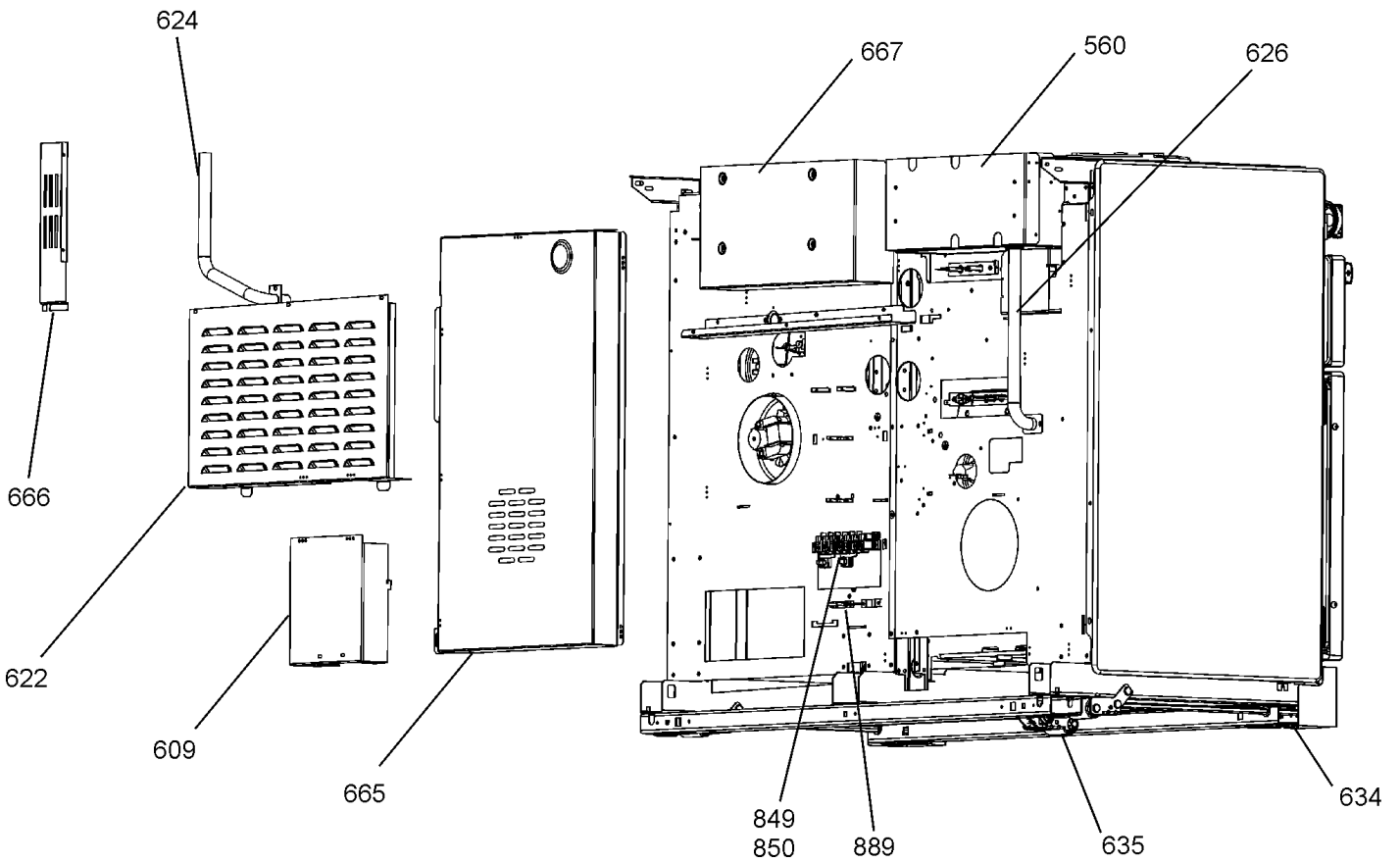
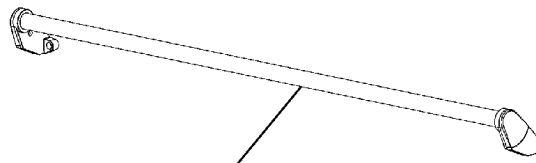
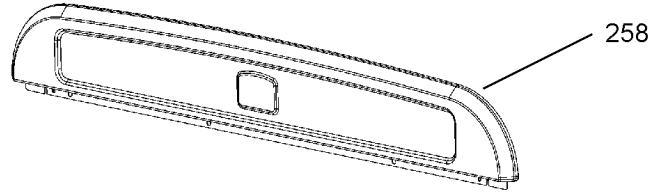


CLASSIC 110 INDUCTION
FROM SERIAL NUMBER 158000
UK & EU MODELS ONLY

DATE 15.01.13

DSL0398 P02B
ISSUE STATUS 01

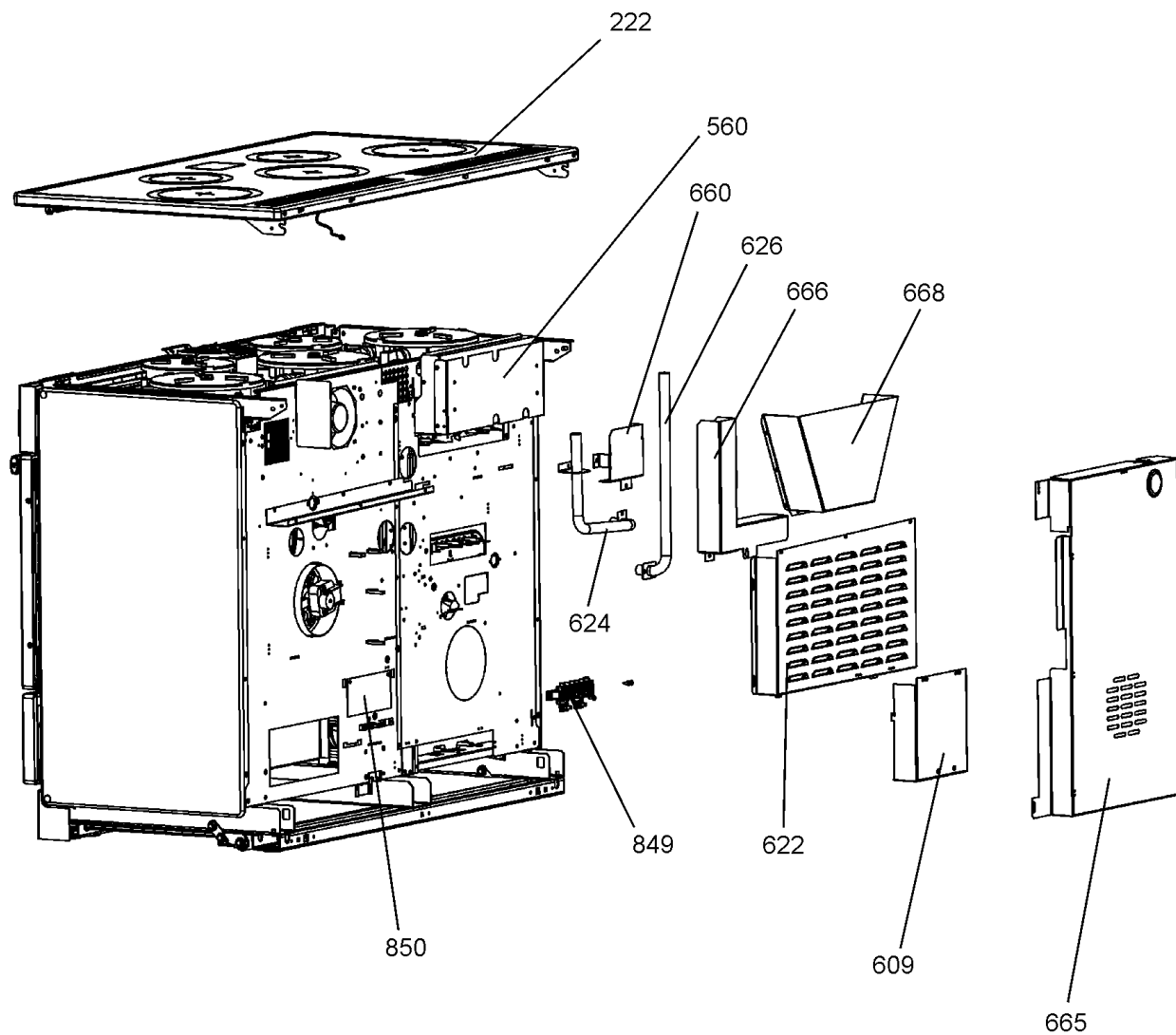




CLASSIC 110 INDUCTION
FROM SERIAL NUMBER 150000
UP TO SERIAL NUMBER 157999

DATE 15.01.13

DSL0398 P03A
ISSUE STATUS 03



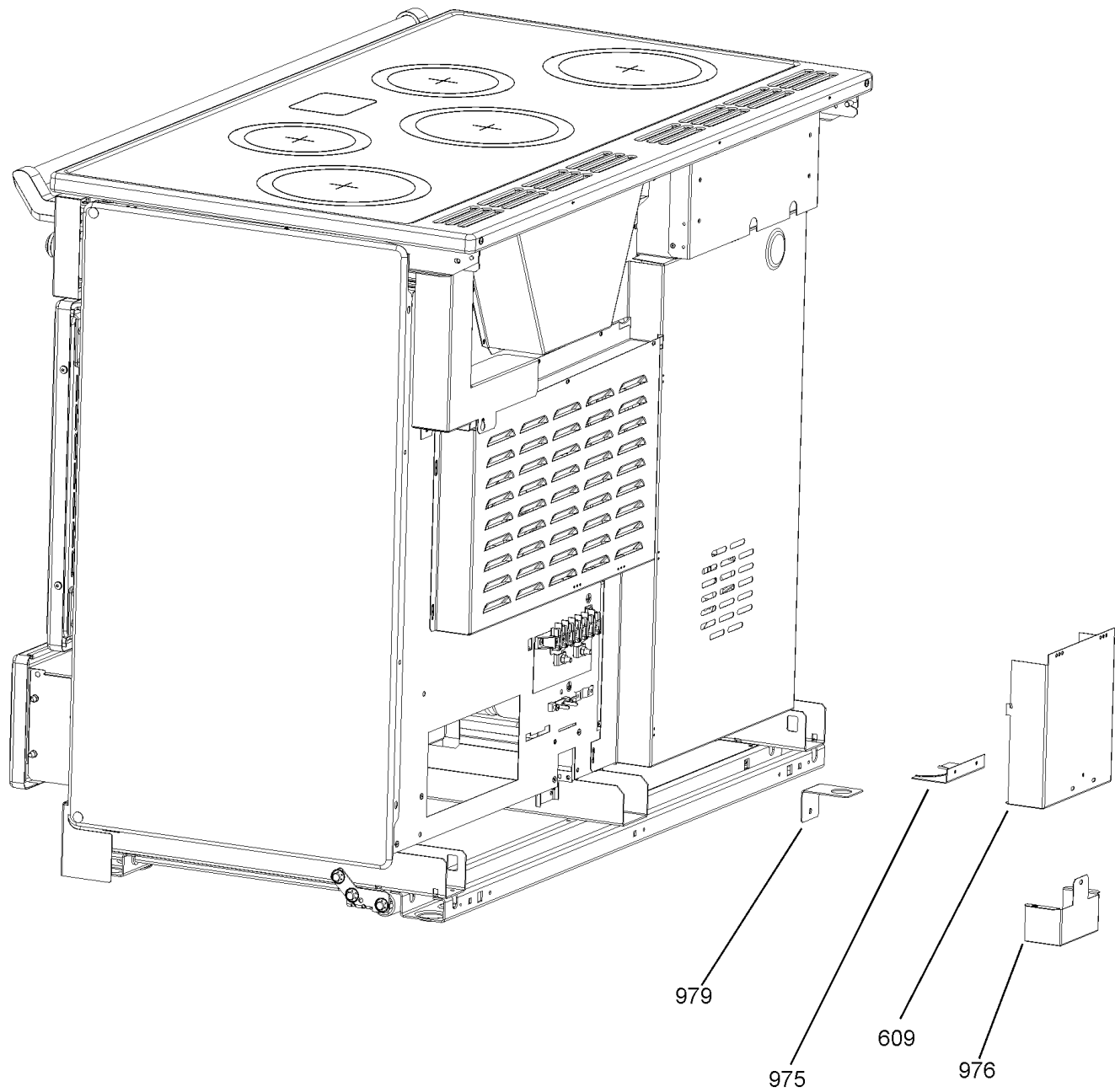
CLASSIC 110 INDUCTION

AUSTRALIA ONLY - 9485 - 9486 -
9487 - 9488 - 9489 - 9490 - 9491 -
9492 - 9493 - 9494 - 9495 - 9496 ONLY.

DSL0398 P03B

DATE 26.01.11

ISSUE STATUS 01



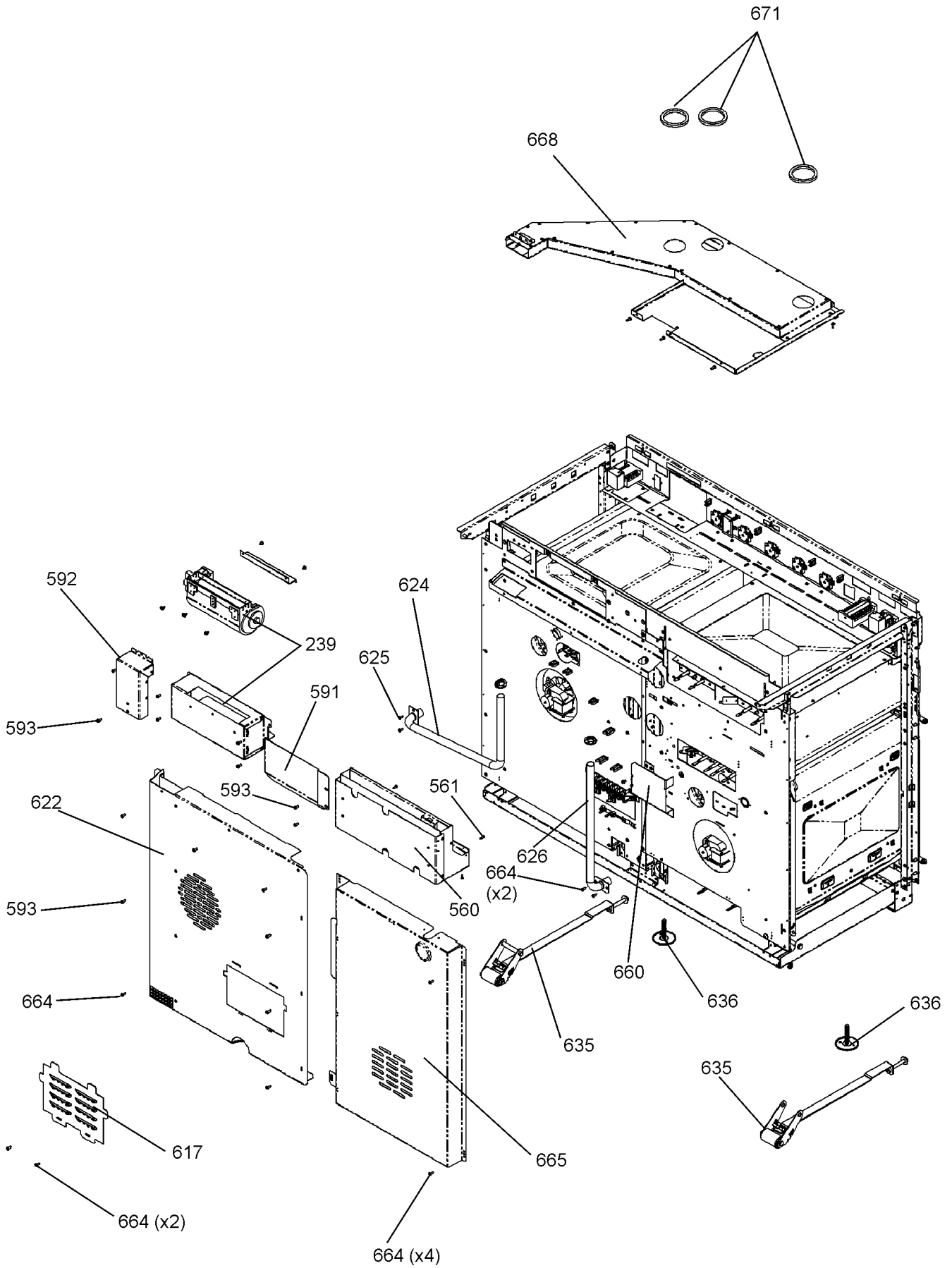
CLASSIC 110 INDUCTION G5

DATE 15.01.13

DSL0398 P03C

ISSUE STATUS 01

FROM SERIAL NUMBER 158000
UK & EU MODELS ONLY



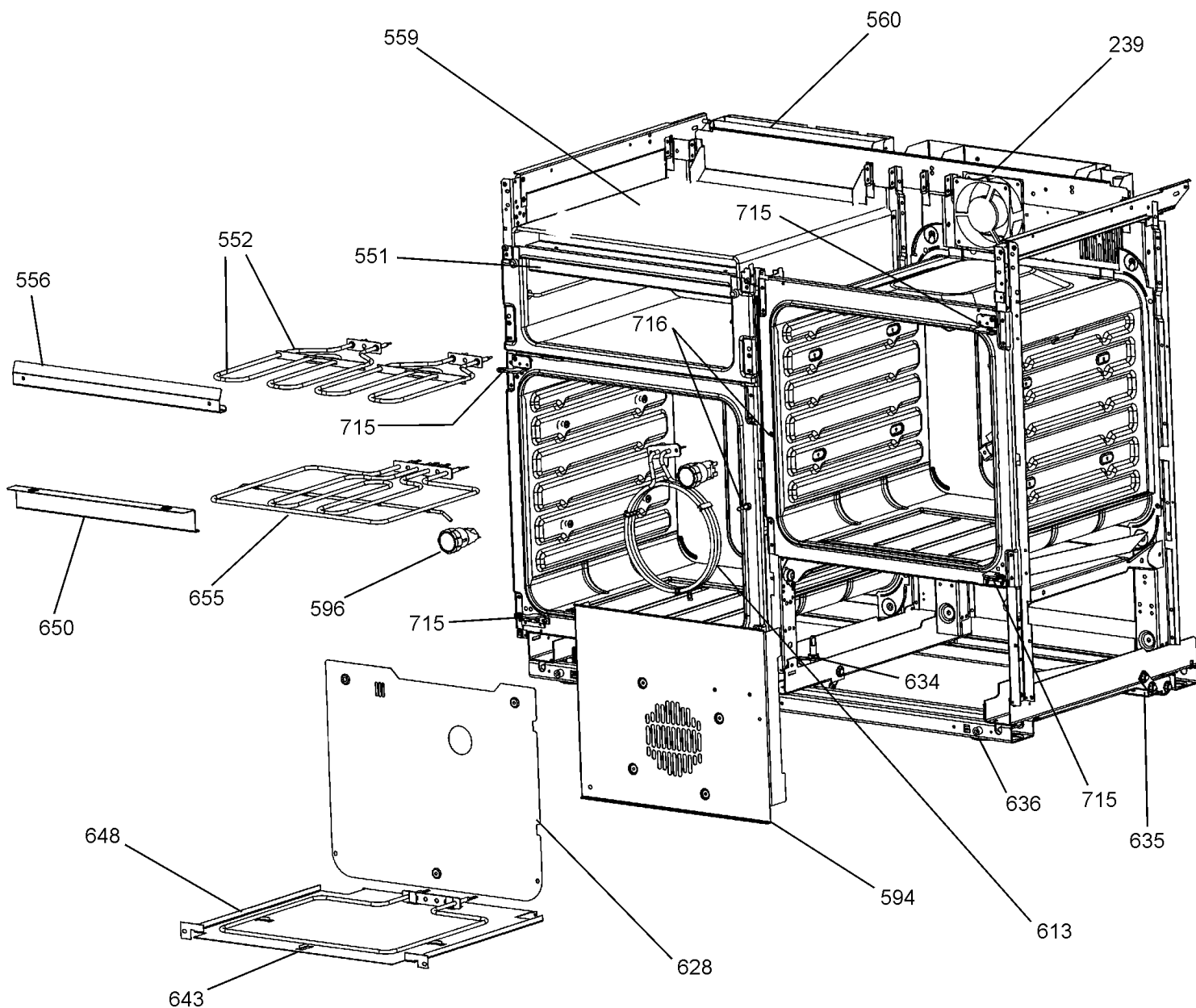
CLASSIC 110 INDUCTION

DATE 15.01.13

DSL0398 P04

ISSUE STATUS 03

UP TO SERIAL NUMBER 157999
UK, EU & AUSTRALIA

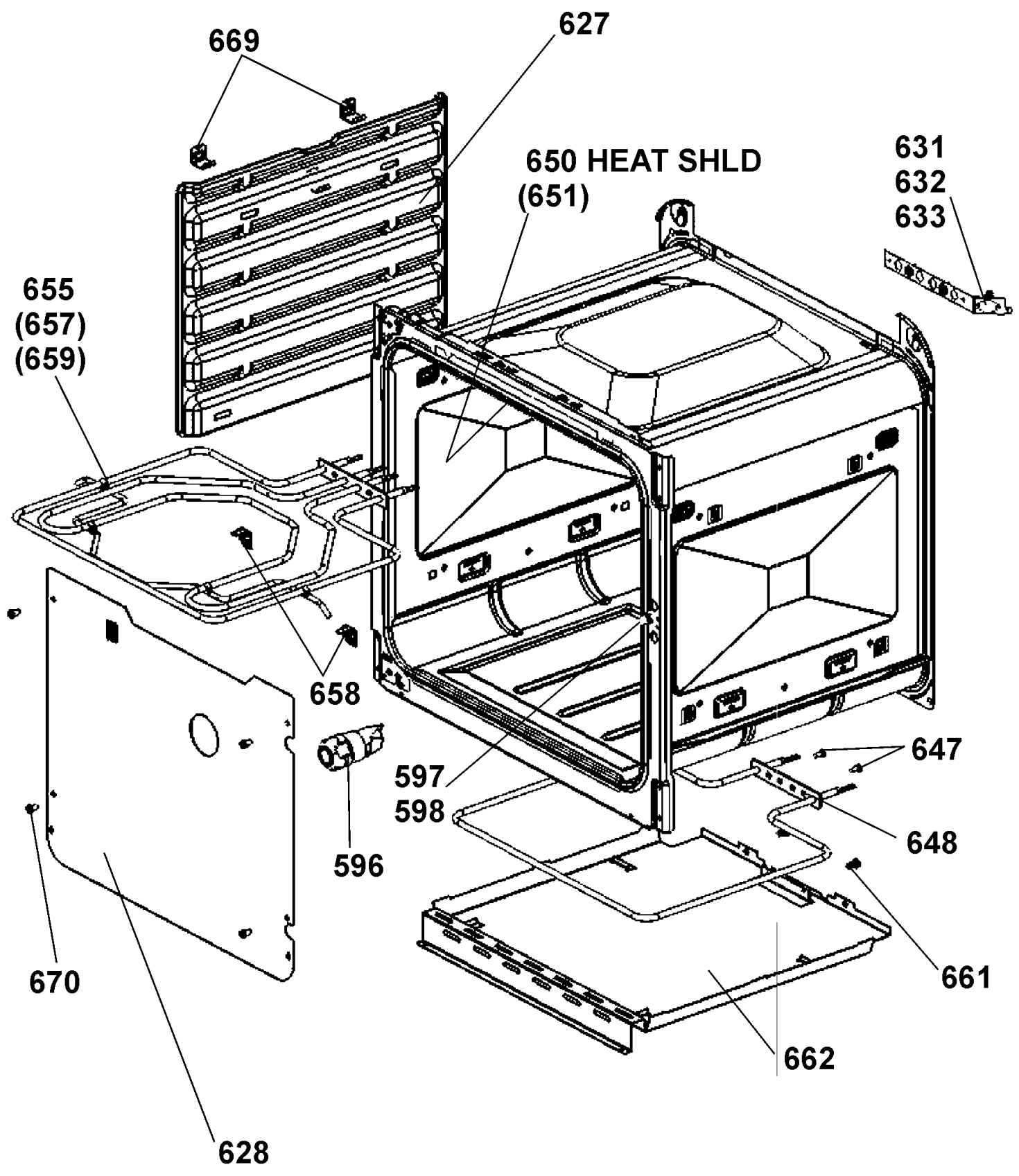


CLASSIC 110 INDUCTION

FROM SERIAL NUMBER 158000
UK & EU MODELS ONLY

DSL0398 P04A

DATE 15.01.13 ISSUE STATUS 03



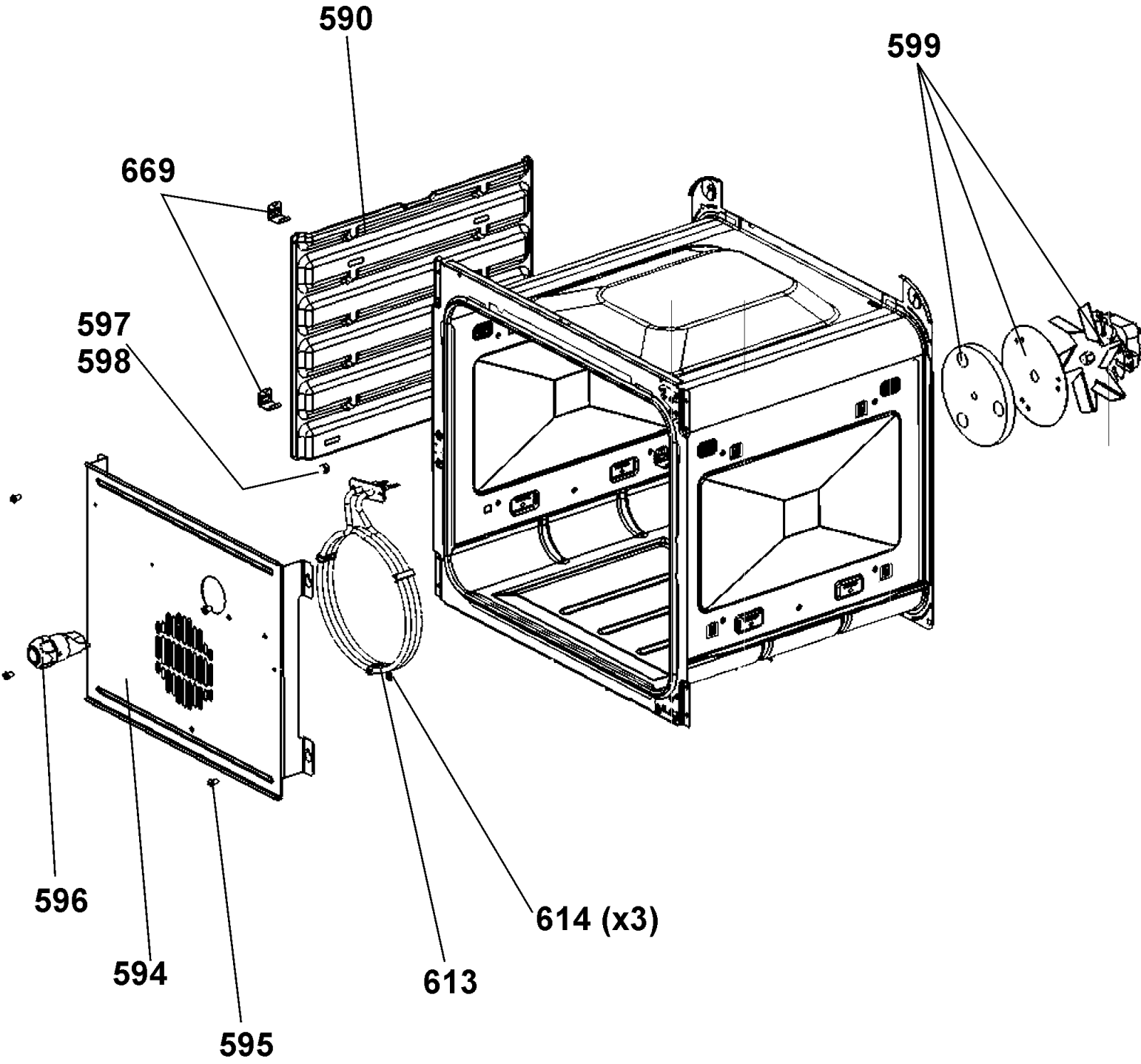
LH OVEN

CLASSIC 110 INDUCTION

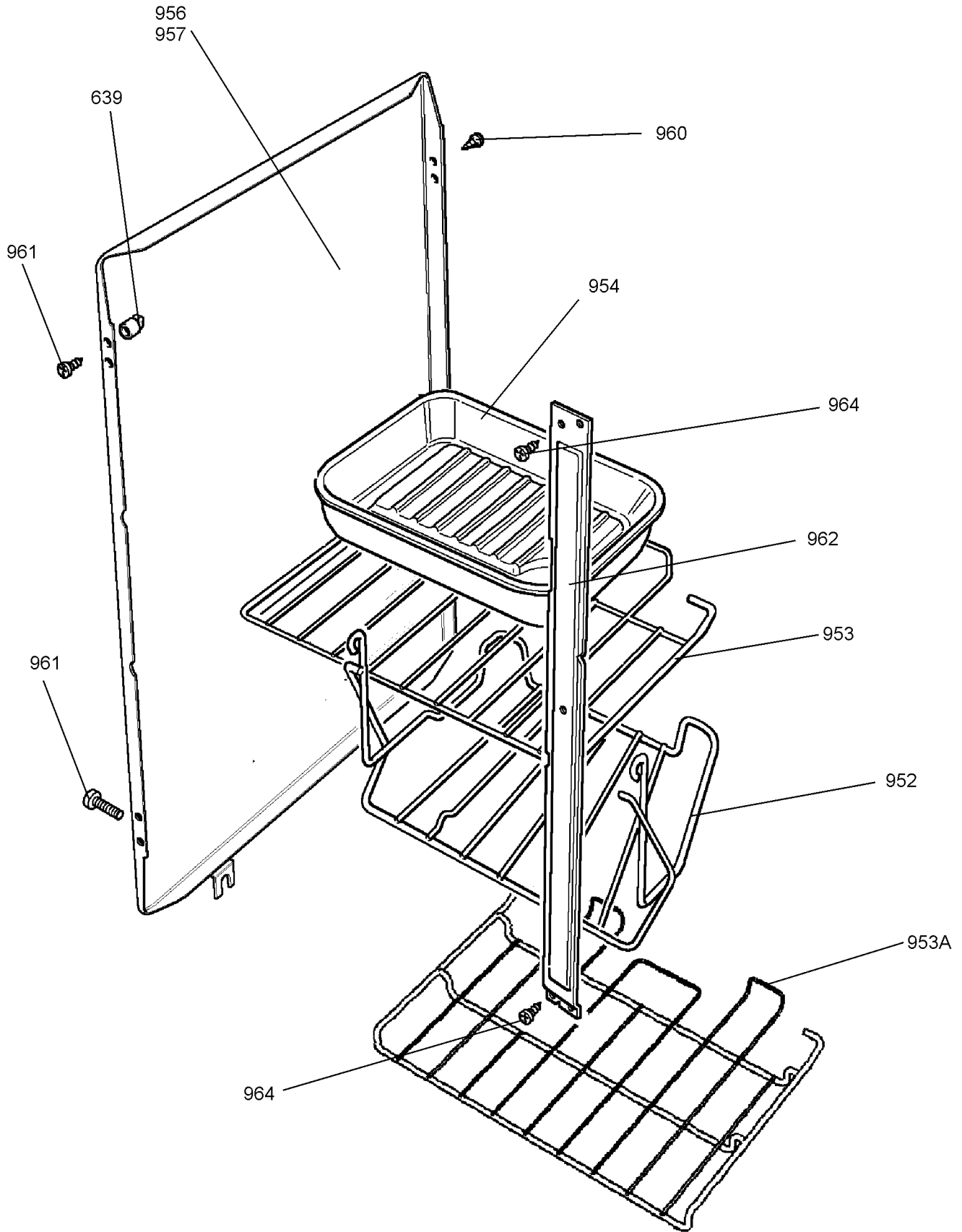
FROM SERIAL NUMBER 158000
UK & EU MODELS ONLY

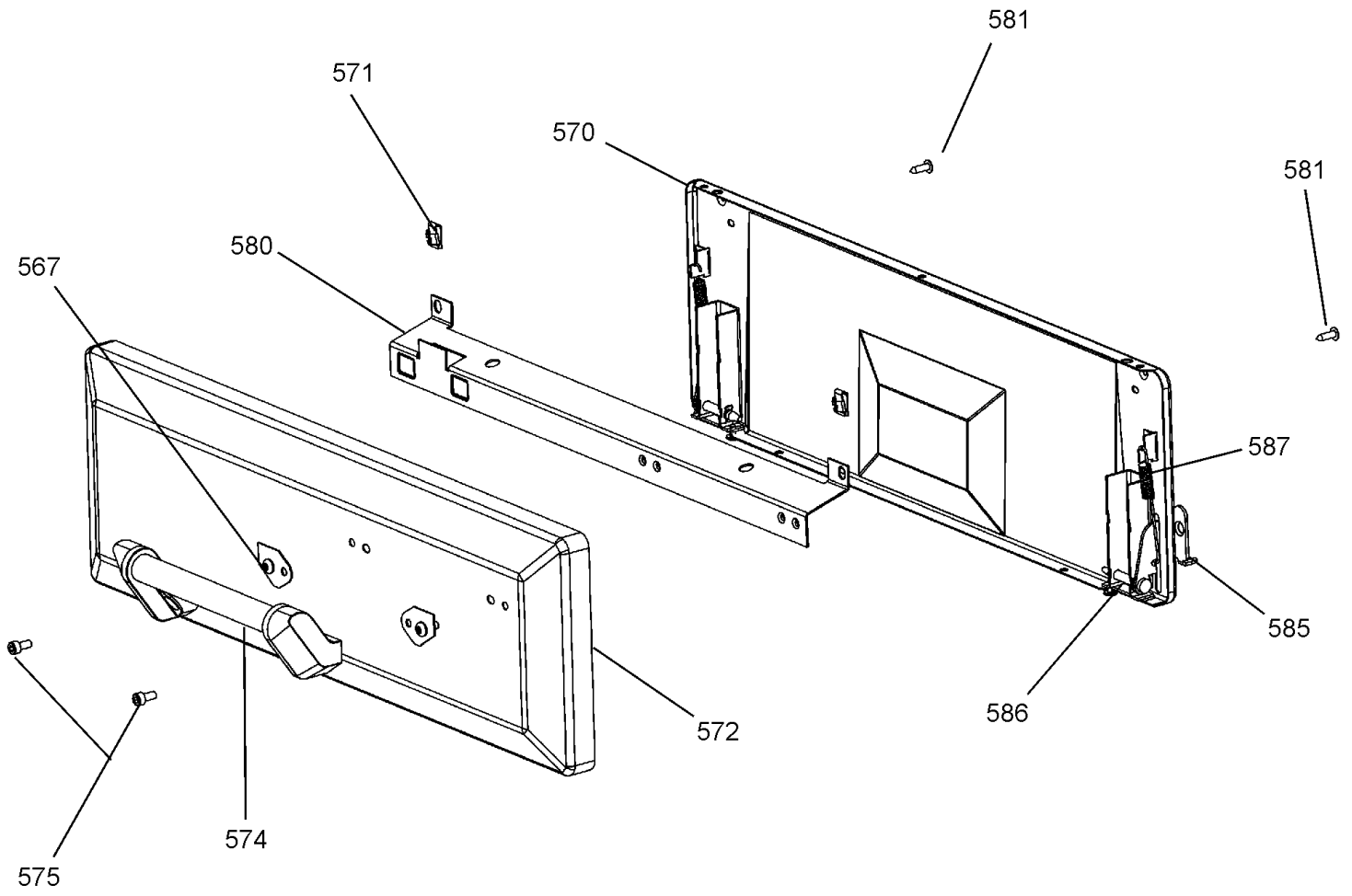
DSL0398 P04B

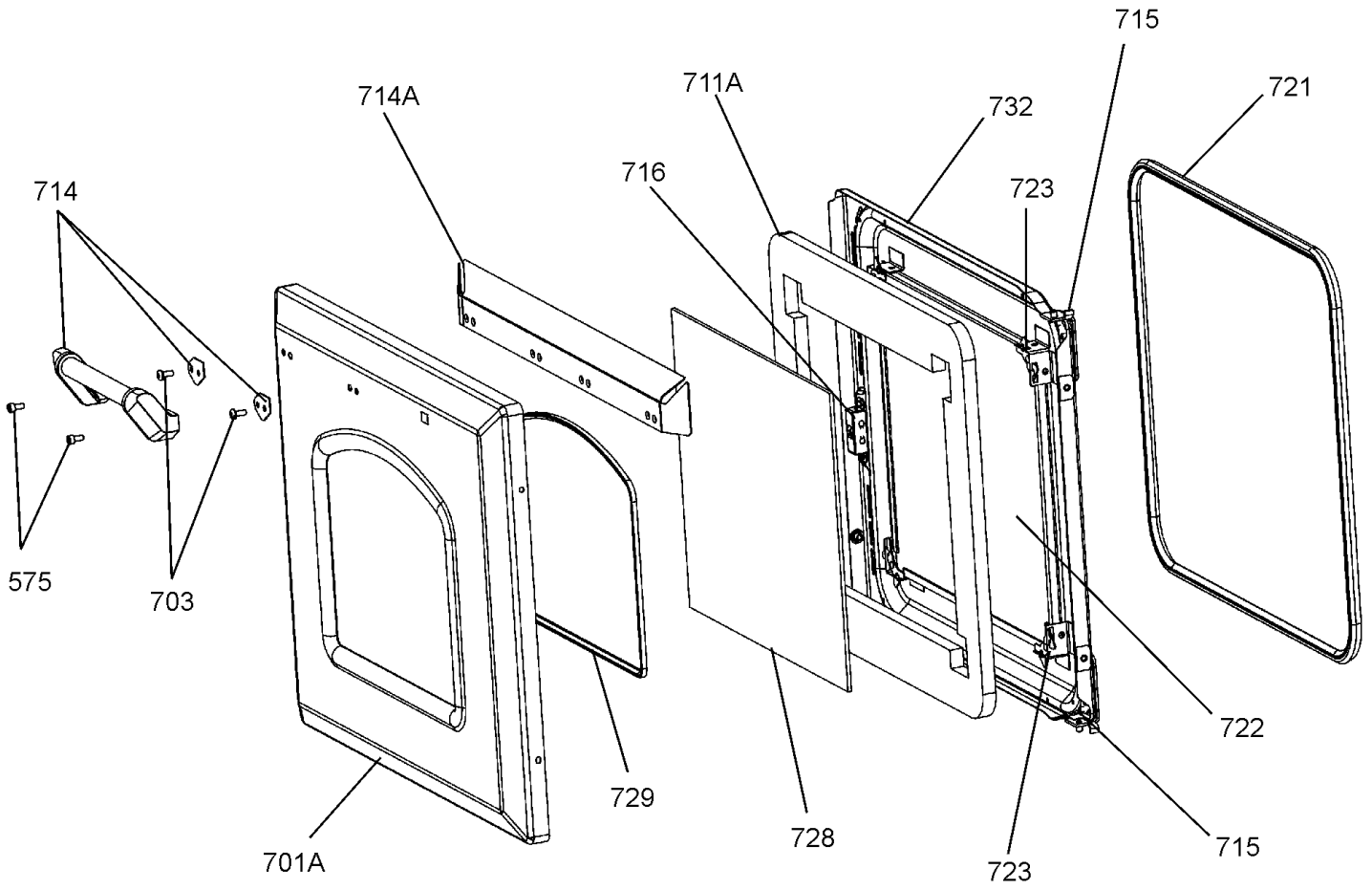
DATE 15.01.13 ISSUE STATUS 01

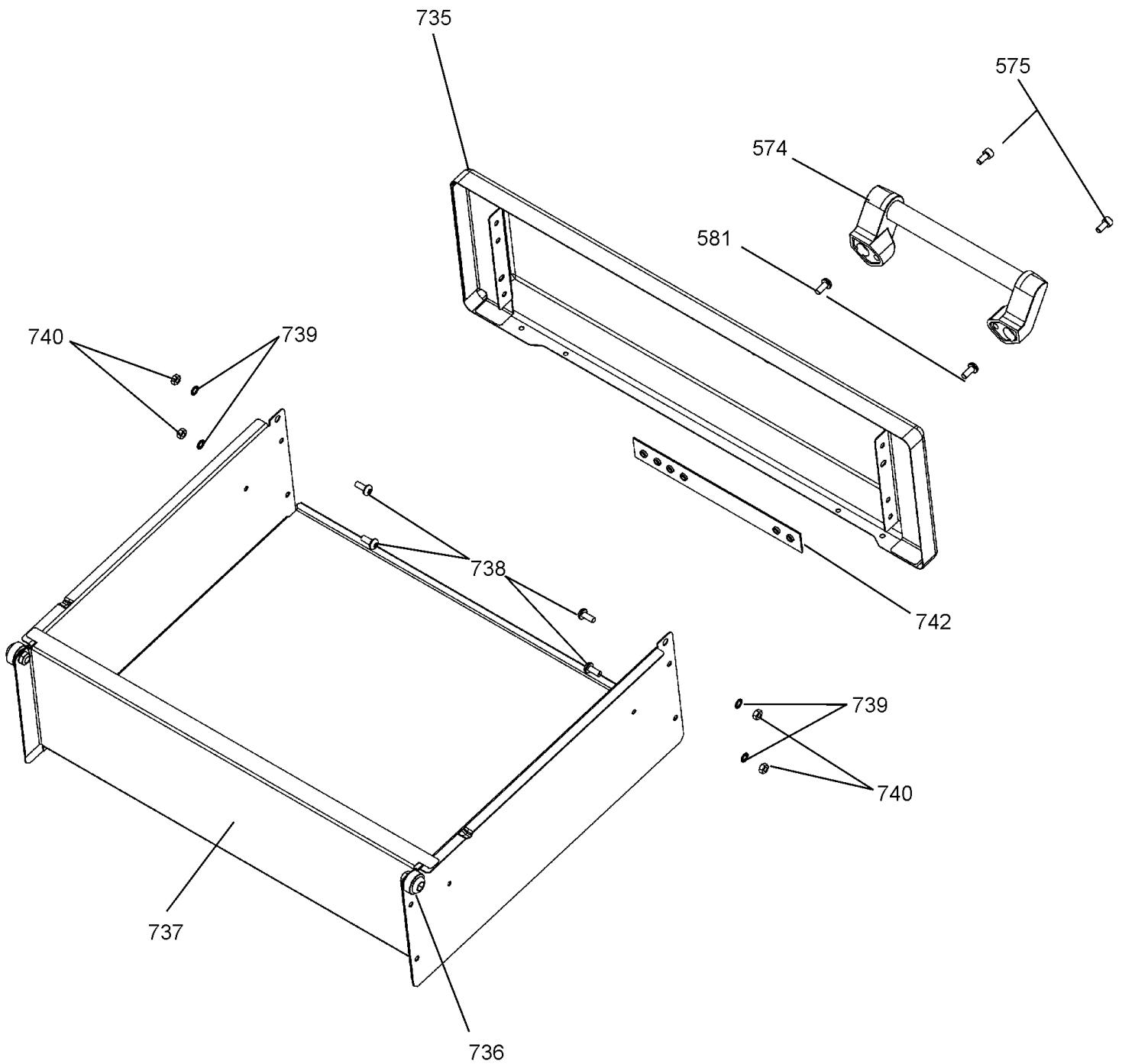


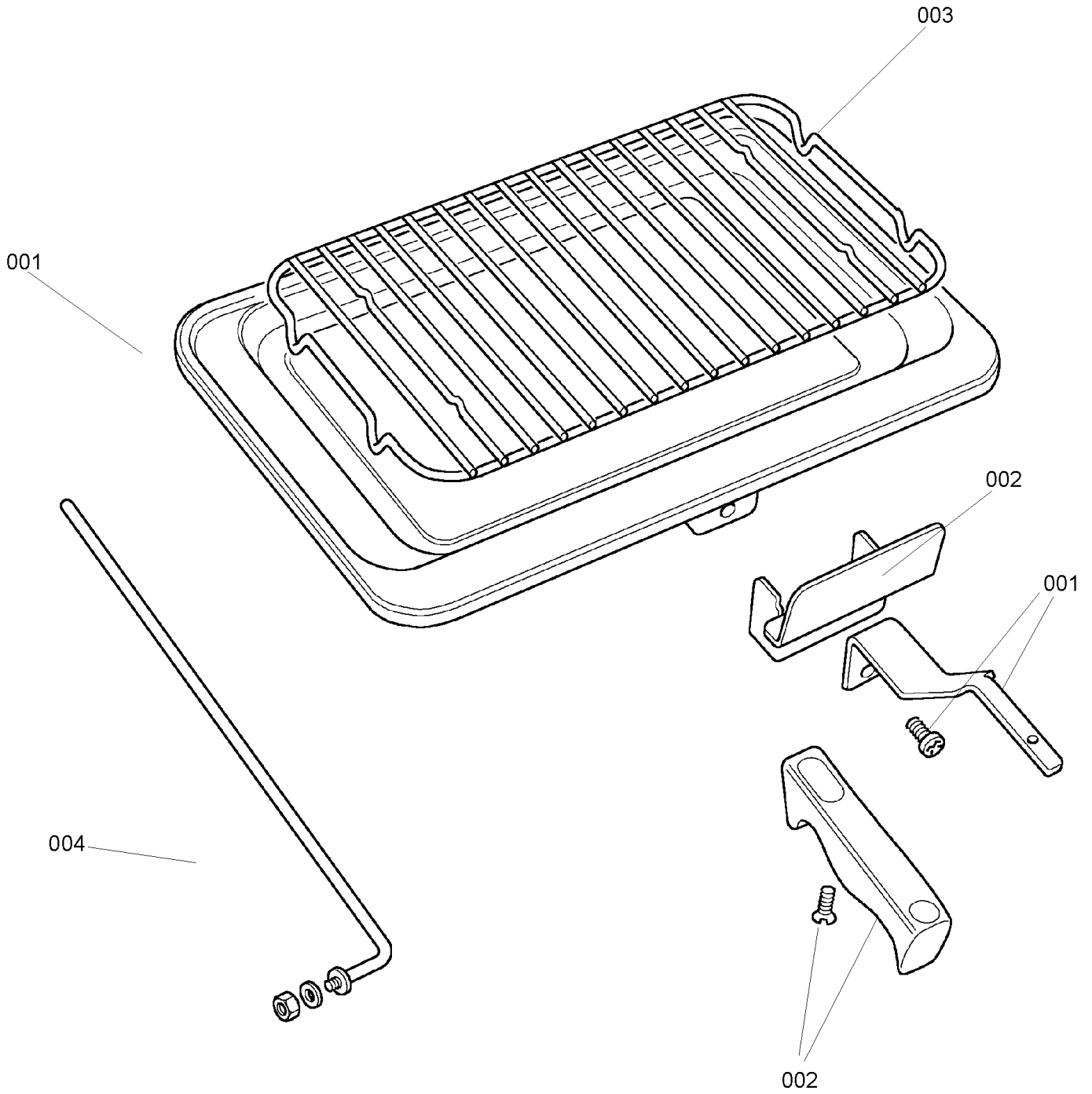
RH OVEN



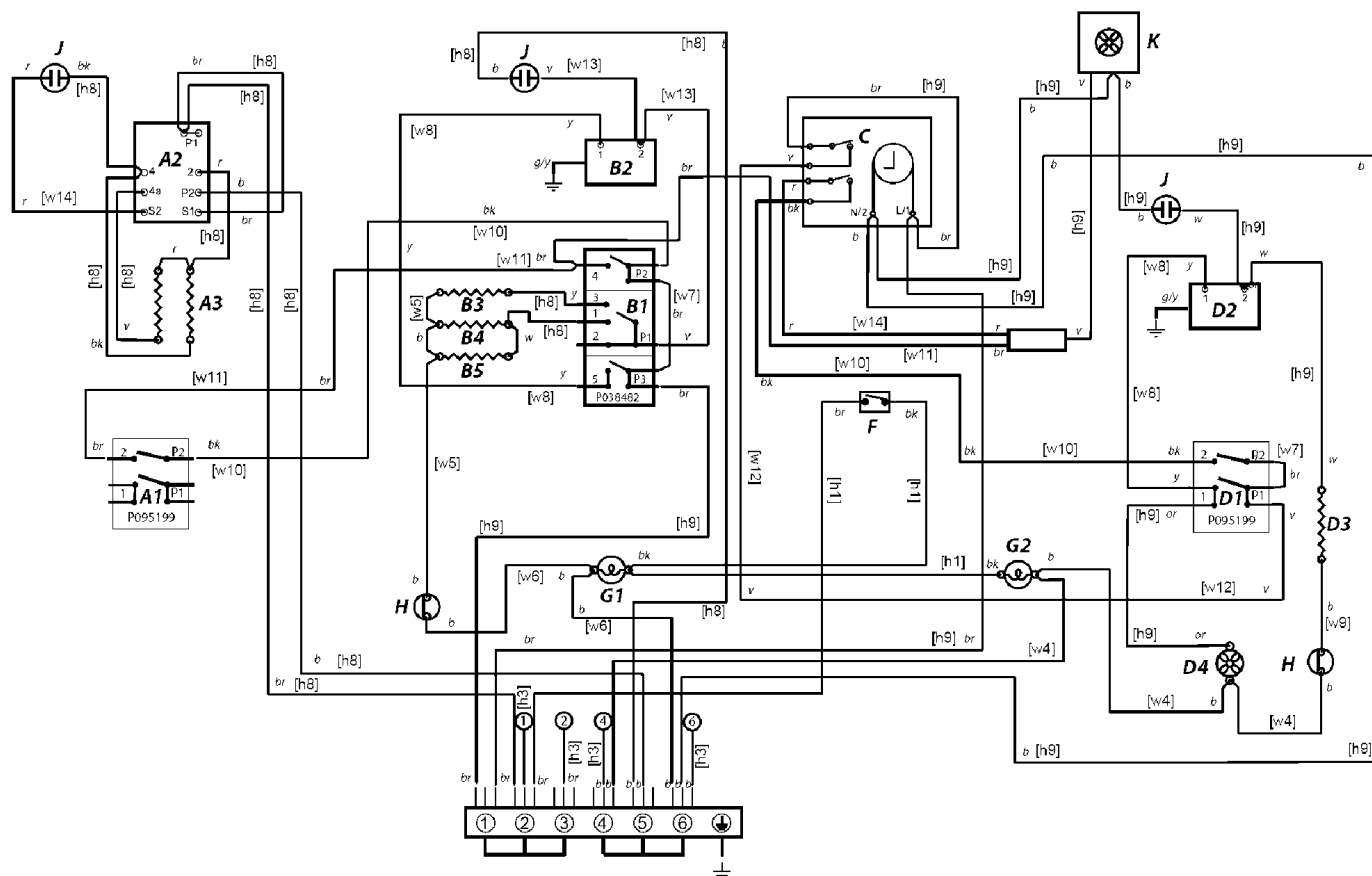








FROM SERIAL NUMBER 158000
UK & EU MODELS ONLY



Ref Number	Part number	Colour	Quantity	Remarks
[w1]	P043962	gr/y	1	Wire - (N) Earth Link LH and RH Oven
[w2]	P094943	gr/y	2	Wire - (N) Earth Link Thermostat Controls
[w3]	P055374	gr/y	2	Wire - (N) Earth Link Grill Elements
[w4]	P043963	b	1	Wire - RH Oven Neutral
[w5]	P043964	b	1	Wire - LH Oven Neutral Top_Bottom Elements
[w6]	P043965	b	1	Wire - LH Oven Neutral_Thermal Trip_Lights
[w7]	P055344	br	2	Wire - Supply Link LH Oven Switch and RH Oven Switch
[w8]	P037863	y	2	Wire - LH and RH Oven Thermostat Link to Front Switch
[w9]	P040066	b	1	Wire - RH Oven Neutral Link to Thermal Trip
[w10]	P038186	bk	2	Wire - RH OVEN COOLING FAN CONTROL_LH OVEN COOLING FAN FEED
[w11]	P059545	br	1	Wire - Cooling Fan Front Switch Link Wire
[w12]	P045407	v	1	Wire - RH Oven Supply
[w13]	P033367	v	1	Wire - LH Oven Thermostat and Neon Supply
[w14]	P040719	r	2	Wire - Grill Neon Link to Energy Regulator
[h1]	P040760	br/b/g	1	Harness - Light Switch Links
[h2]	P051839	br/b/g	1	Harness - (N) MAINS POWER - CONNECTOR BLOCK - INDUCTION UNIT
[h3]	P052814	br/b/g	1	Harness - MAINS POWER - TERMINAL BLOCK - CONNECTOR BLOCK
[h4]	P043839	br	1	Harness - (N) Rotary Control 1
[h5]	P043937	br	1	Harness - (N) Rotary Control 5
[h6]	P043936	br	2	Harness - (N) Rotary Control 3 & 4
[h10]	P040924	br	1	Harness - (N) Rotary Control 2
[h7]	P051766	br	1	Harness - LIN Connection K6 to Interface Board
[h8]	P045530	br/b/r/bk/v/y/w	1	Harness - LH Oven and Grill
[h9]	P059544	br/b/or/w	1	Harness - RH Oven Harness

NI Not Illustrated

w - Single Cable / Single Cable with multiple terminations

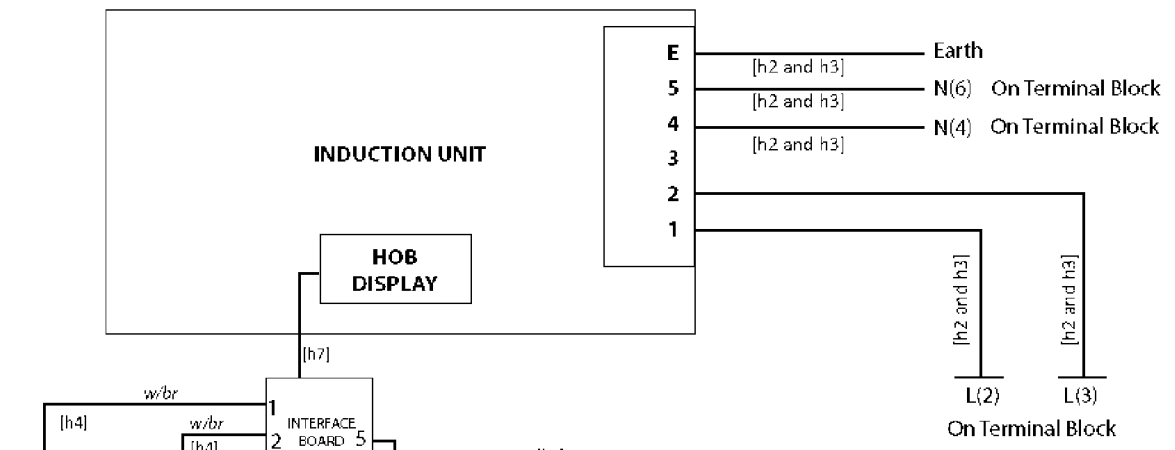
h - Harness Assembly (Including Single Wires that are Sheathed)

Code	Description
A1	Grill Front Switch
A2	Grill Energy Regulator
A3	Grill Elements
B1	Zoned Oven Front Switch
B2	Zoned Oven Thermostat
B3	Zoned oven browning element (inner pair)
B4	Zoned oven top element (outer pair)
B5	Zoned Oven Base Element
C	Clock / Oven Function Timer

Code	Description
D1	Right Hand Oven Front Switch
D2	Right Hand Oven Thermostat
D3	Right-Hand Fan Oven element
D4	Right-Hand Oven fan
F	Ovens Light Switch
G1	Oven Light LH Oven
G2	Oven Light RH Oven
H	Thermal cut-out
J	Neon
K	Cooling Fan

Code	Colour
b	Blue
br	Brown
bk	Black
or	Orange
r	Red
v	Violet
w	White
y	Yellow
g/y	Green/Yellow
gr	Grey

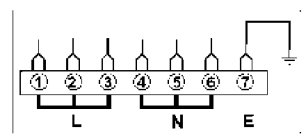
FROM SERIAL NUMBER 158000
UK & EU MODELS ONLY



KEY

1	Front left
2	Rear left
3	Rear right
4	Front right
5	Centre
w/br	White or Brown

Ref Number	Part number	Colour	Quantity	Remarks
h4	043039	br	3	Harness - Rotary Control 1,2 and 5
h5	043037	br	1	Harness - Rotary Control 3
h6	043036	br	1	Harness - Rotary Control 4
h7	051766	br	1	Harness - LIN Connection K6 to Interface Board
h2	051639	br/big	1	Harness - MAINS POWER - CONNECTOR BLOCK - INDUCTION UNIT
h3	052614	br/big	1	Harness - MAINS POWER - TERMINAL BLOCK - CONNECTOR BLOCK



110 cm
INDUCTION UNIT