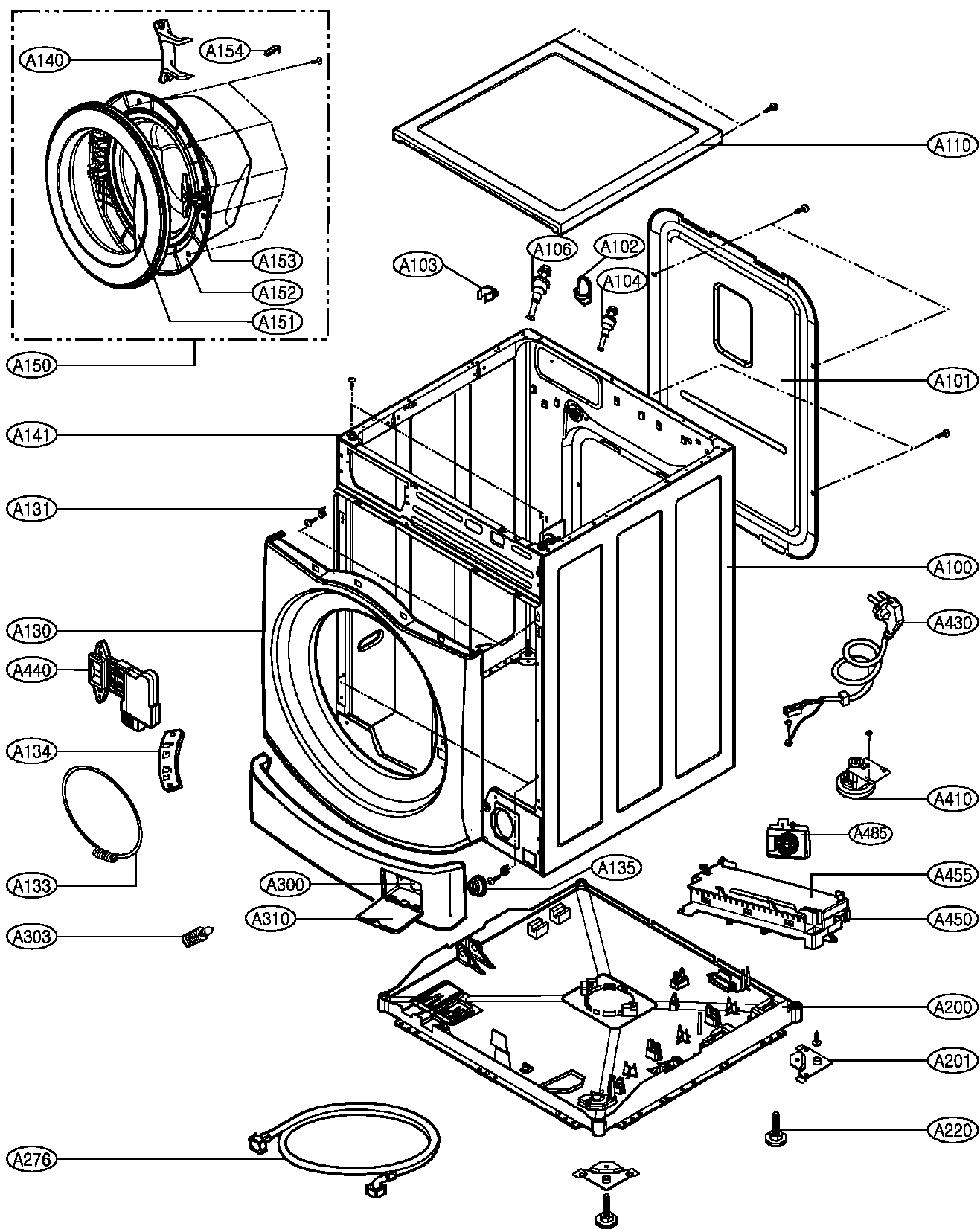
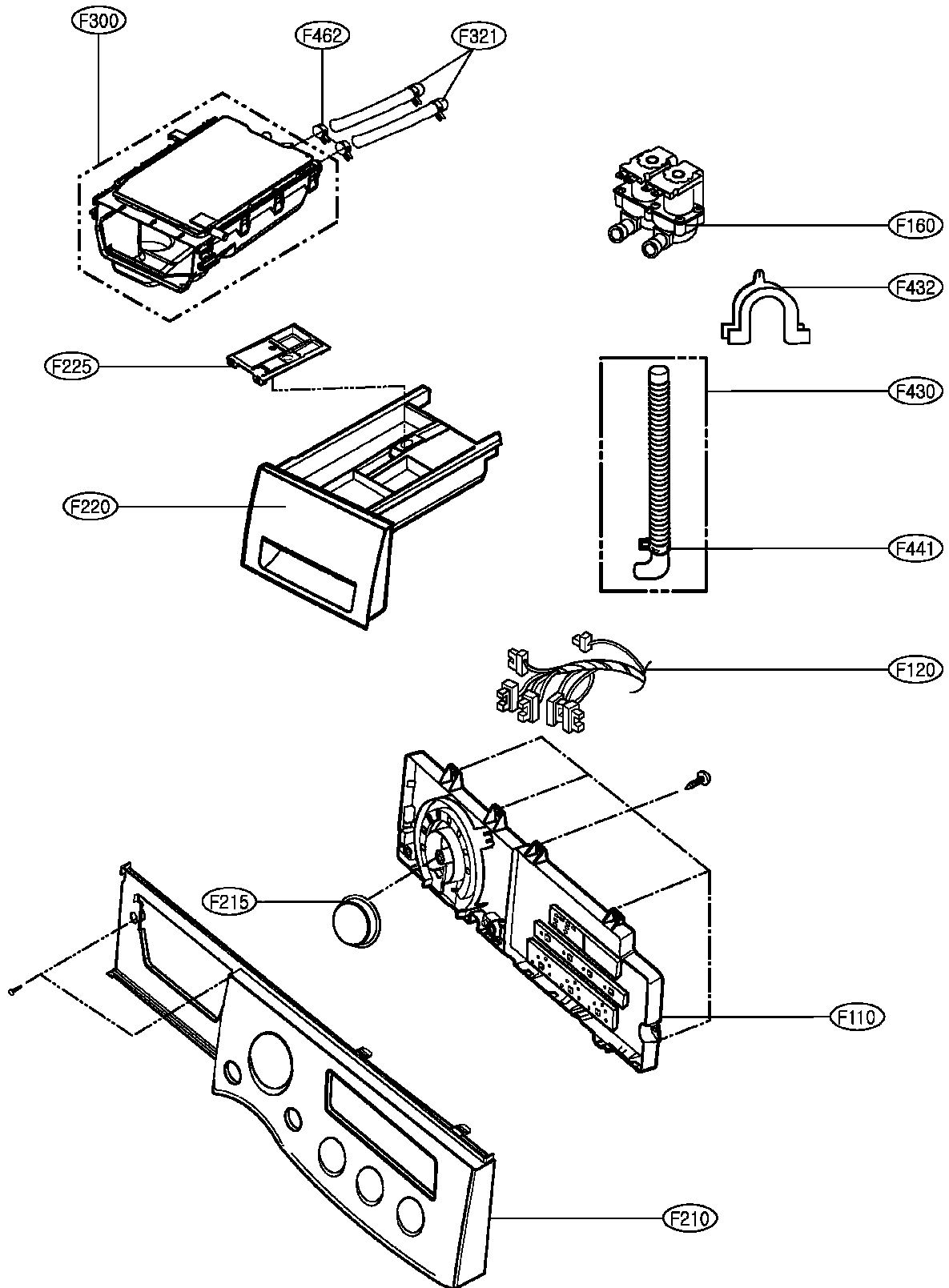


# 11. EXPLODED VIEW AND PART LIST

## 11-1. THE PART LIST OF CABINET ASSEMBLY



## 11-2. THE EXPLODED VIEW OF CONTROL PANEL & DISPENSER ASSEMBLY



# 11-3. THE EXPLODED VIEW OF DRUM & TUB ASSEMBLY

