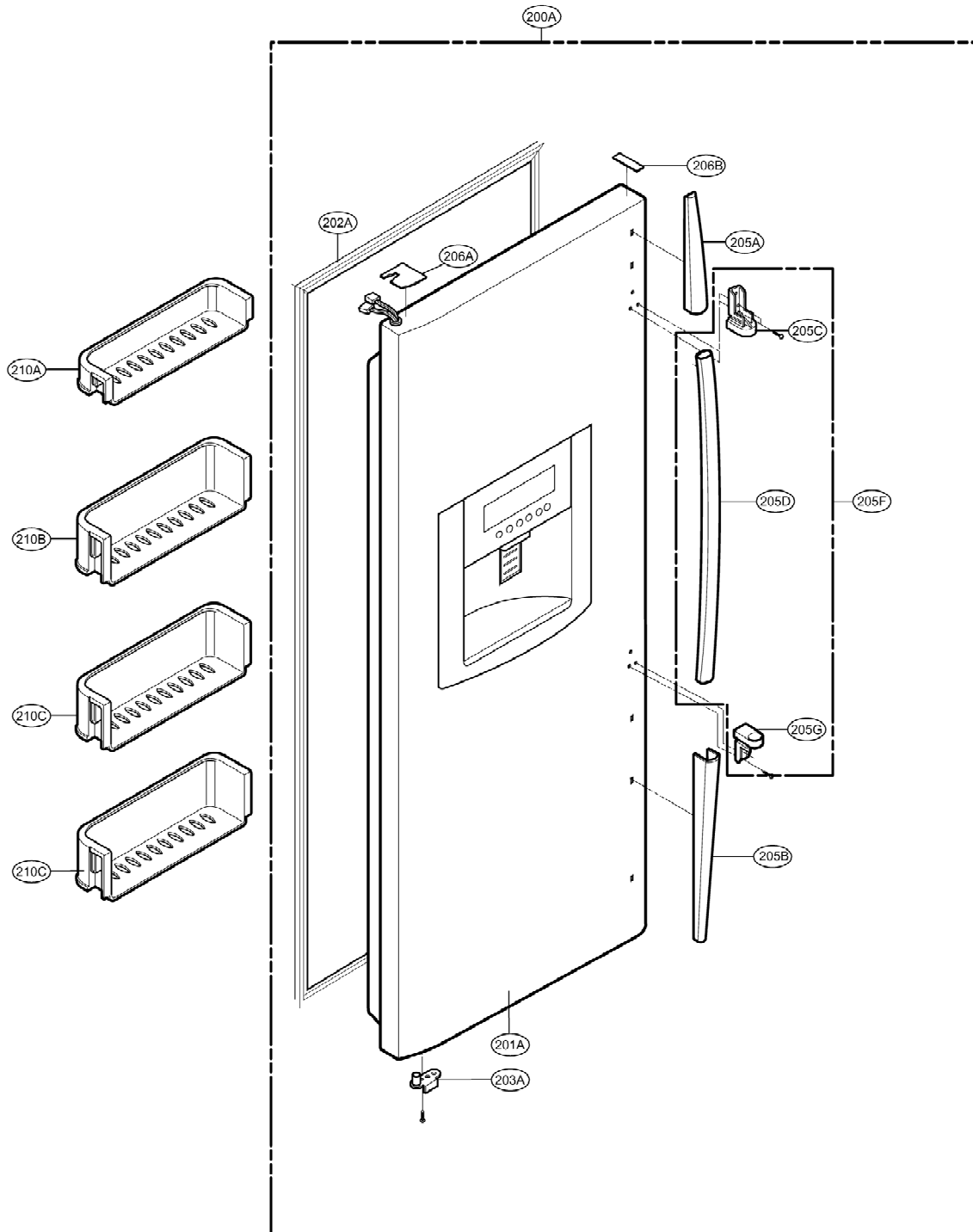


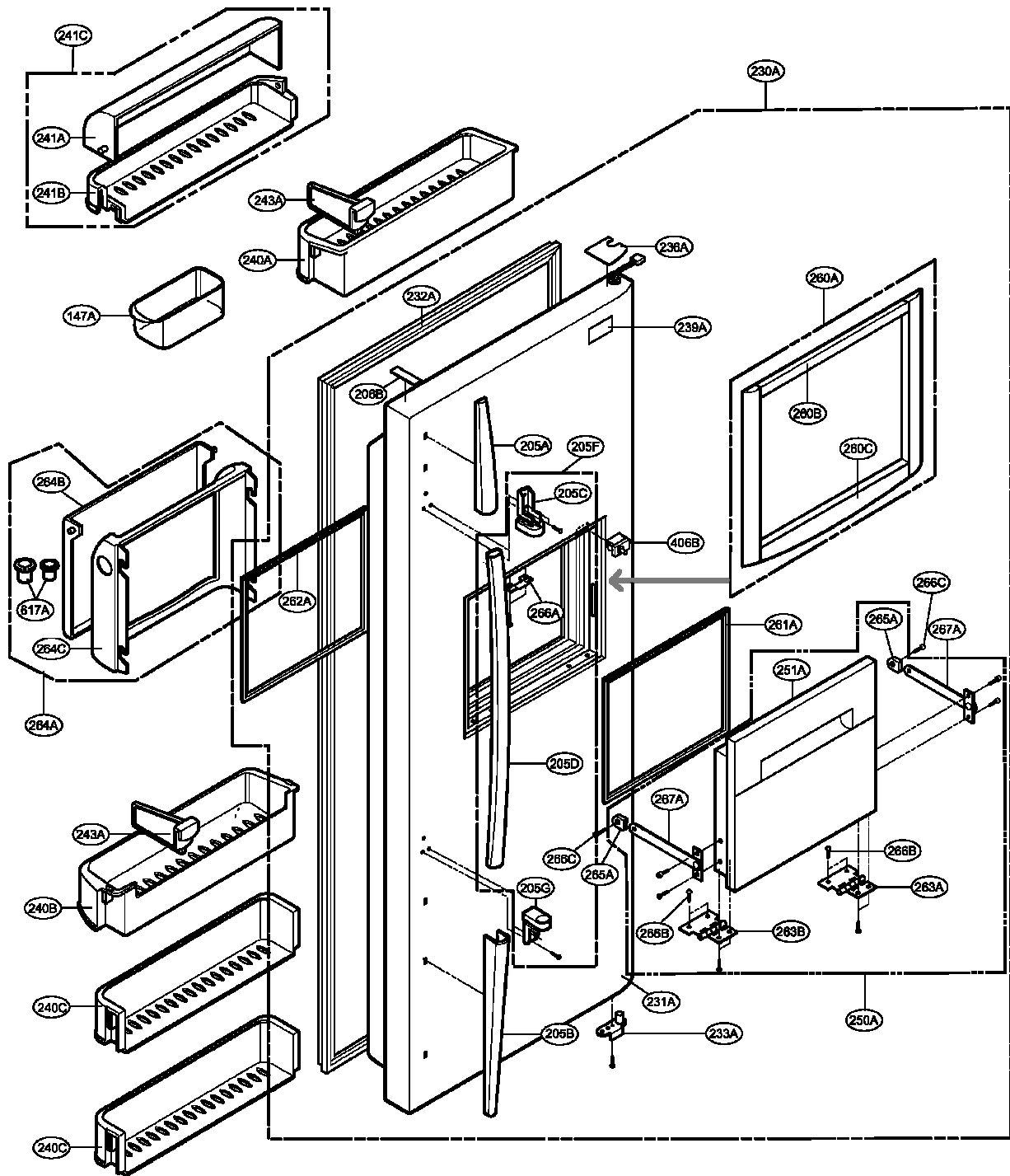
EXPLODED VIEW

FREEZER DOOR PART



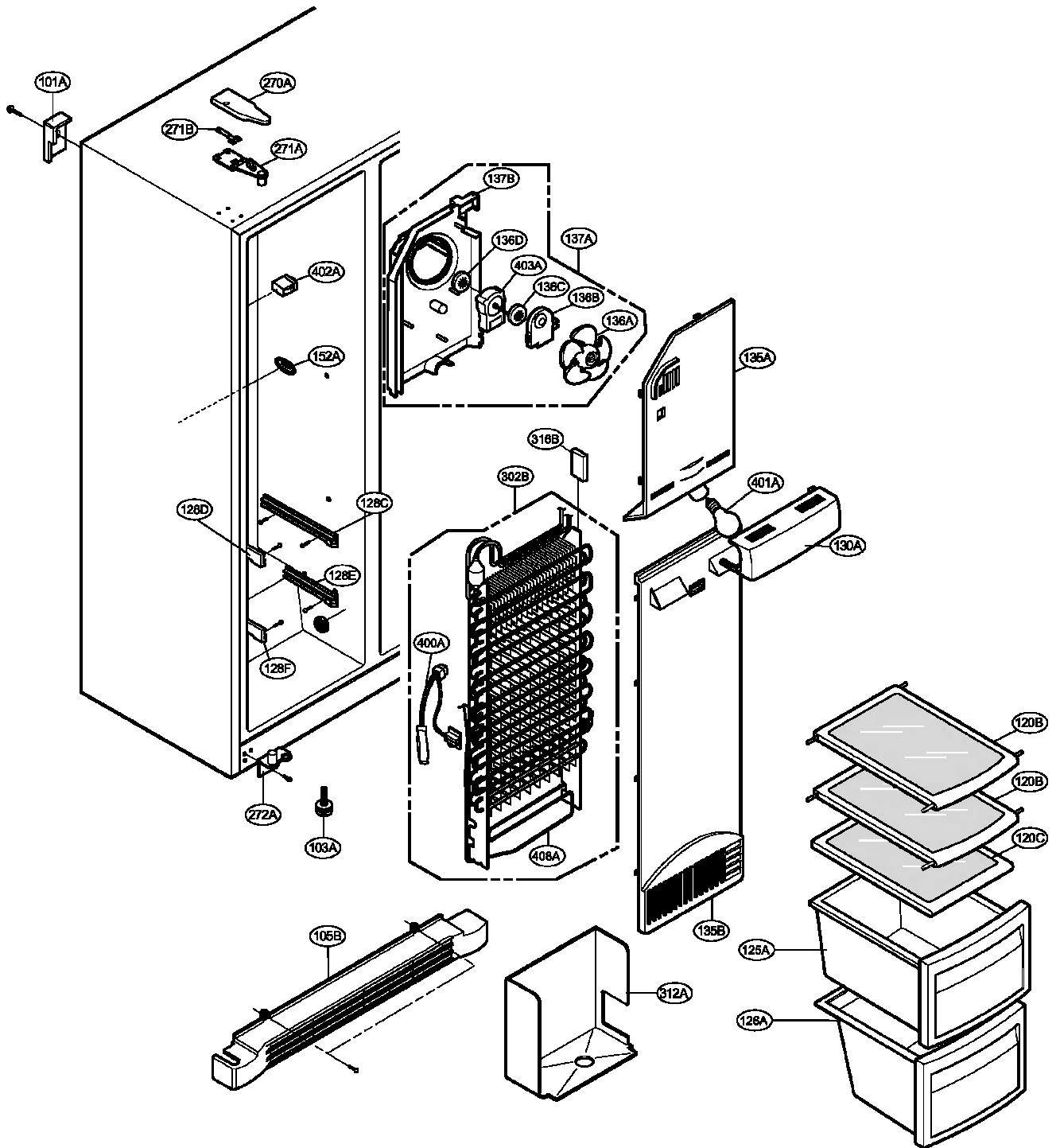
EXPLODED VIEW

REFRIGERATOR DOOR PART



EXPLODED VIEW

FREEZER COMPARTMENT



EXPLODED VIEW

REFRIGERATOR COMPARTMENT

