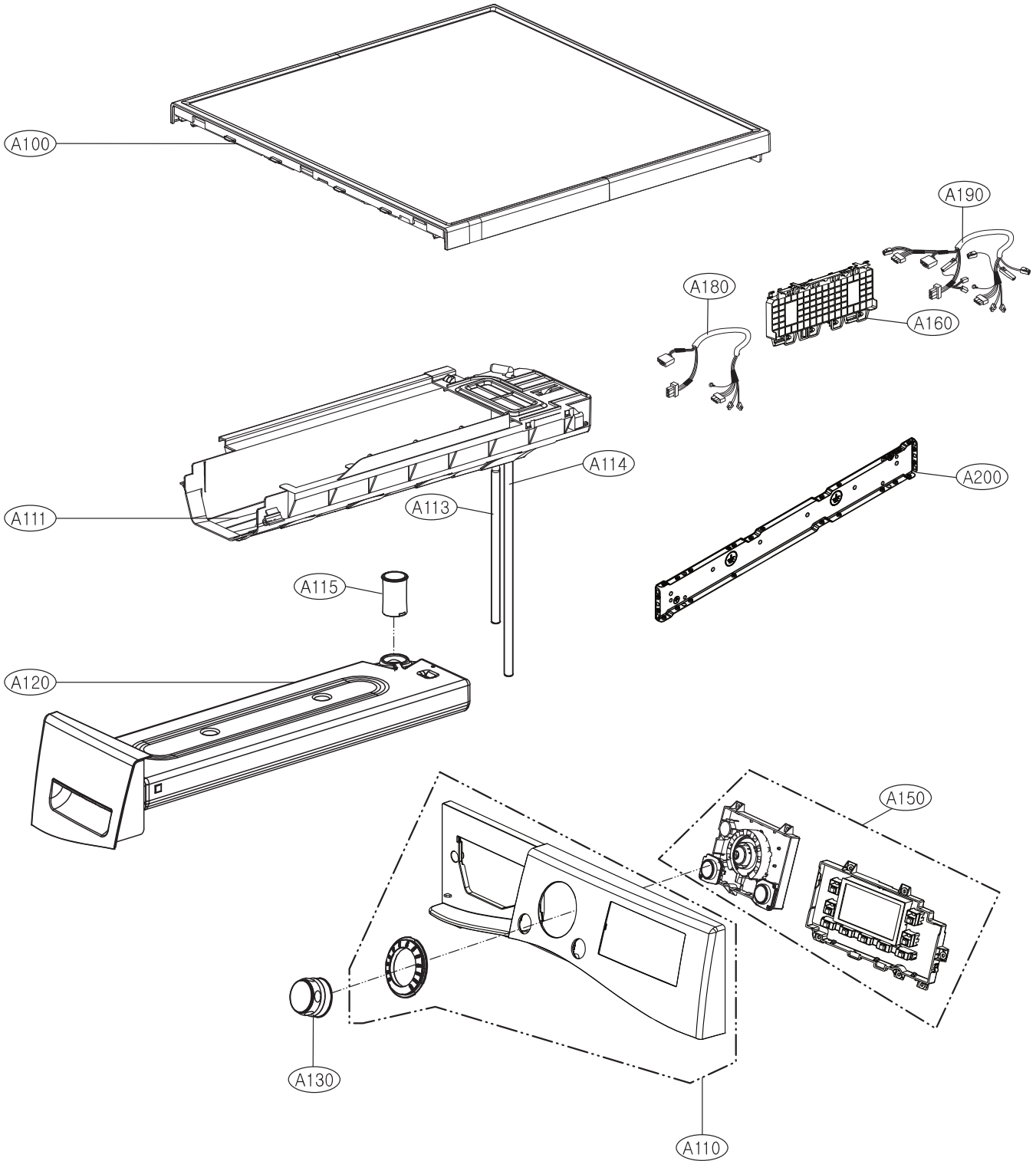
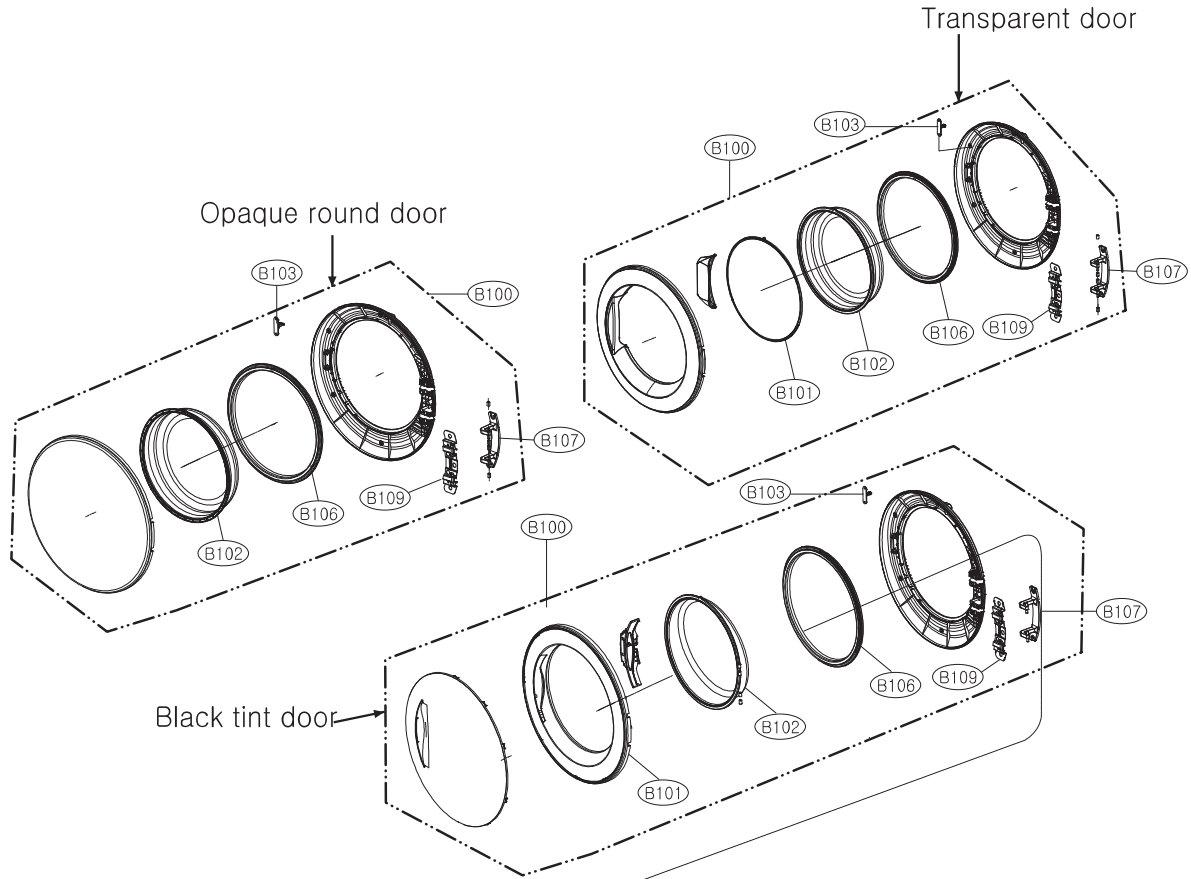


● Control Panel & Top plate Assembly

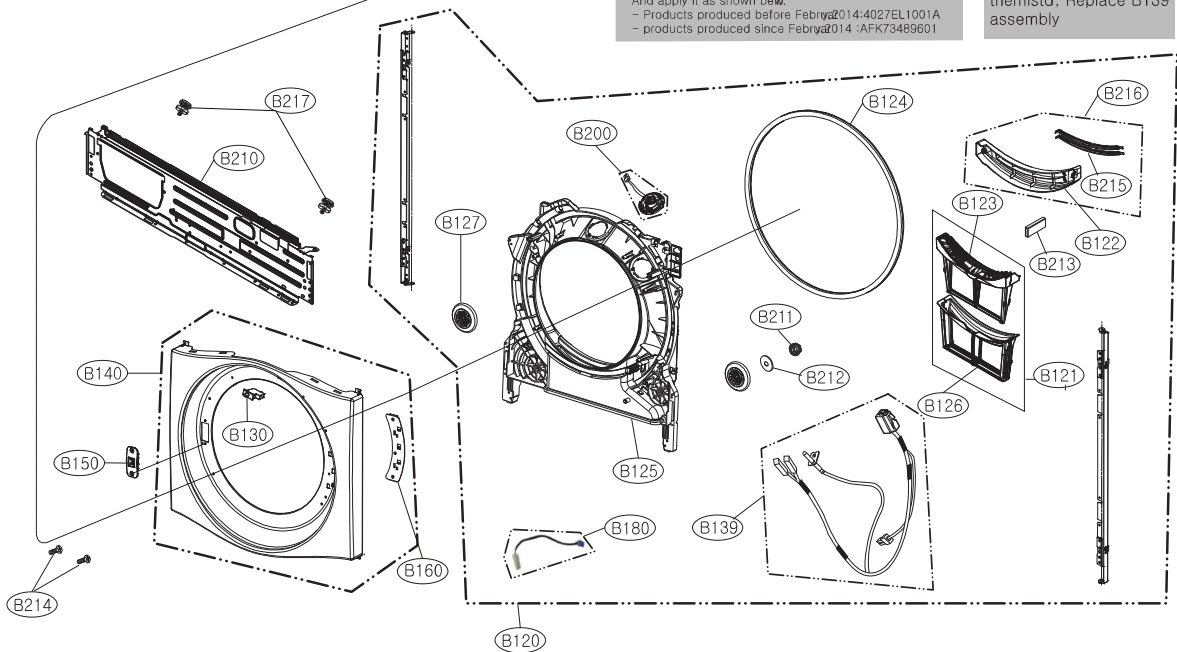


● Cabinet Cover & Door Assembly

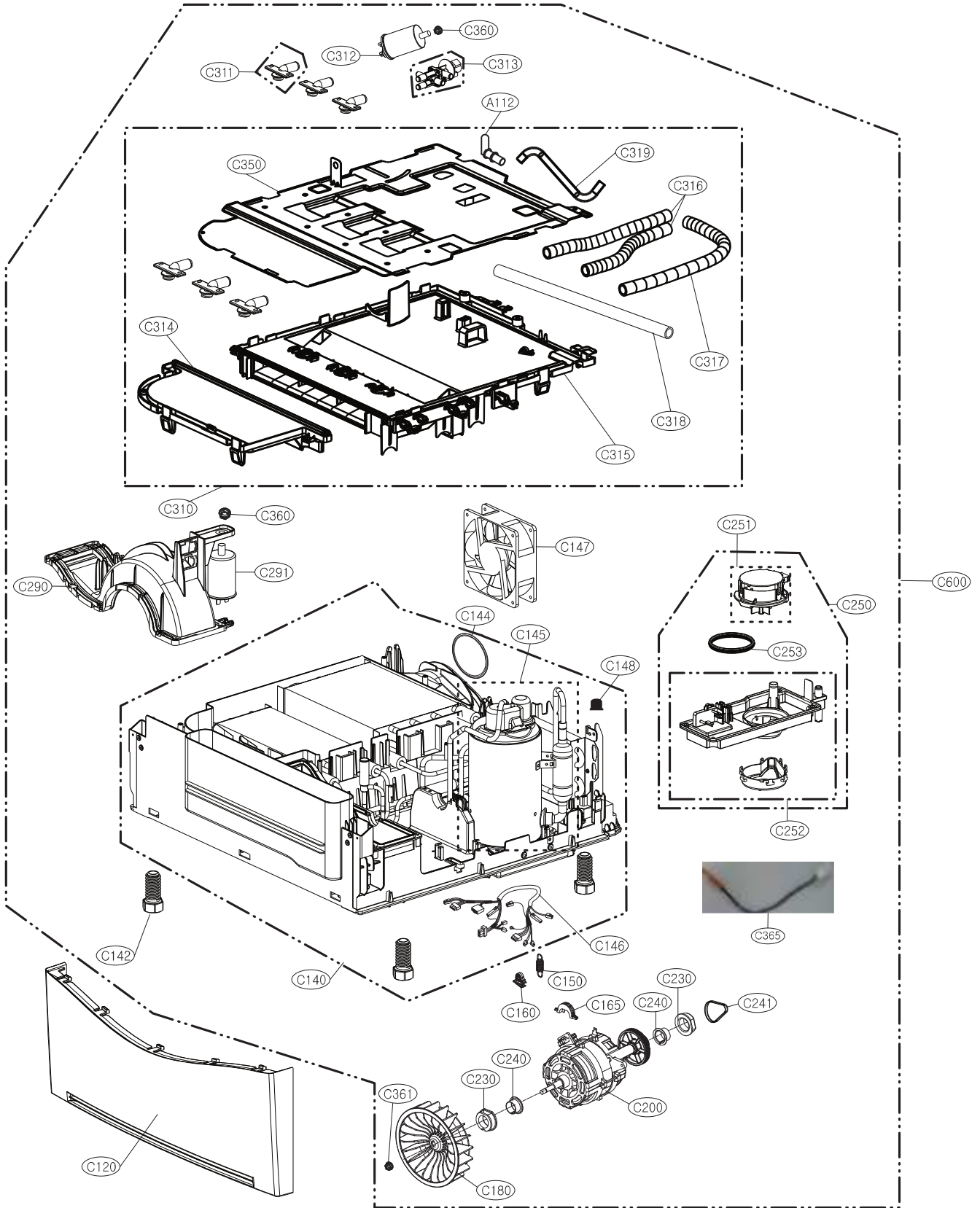


Note
 If you want to replace the B150 part(Lock&Assembly),
 Check out the product manufacture data on the rating label.
 And apply it as shown below.
 - Products produced before February 2014: 4027EL1001A
 - products produced since February 2014 :AFK73489601

Note
 If you want to exchange
 themistr, Replace B139
 assembly



● Base & Motor Assembly



12

EXPLODED VIEW

● Back Cover & Drum Assembly

