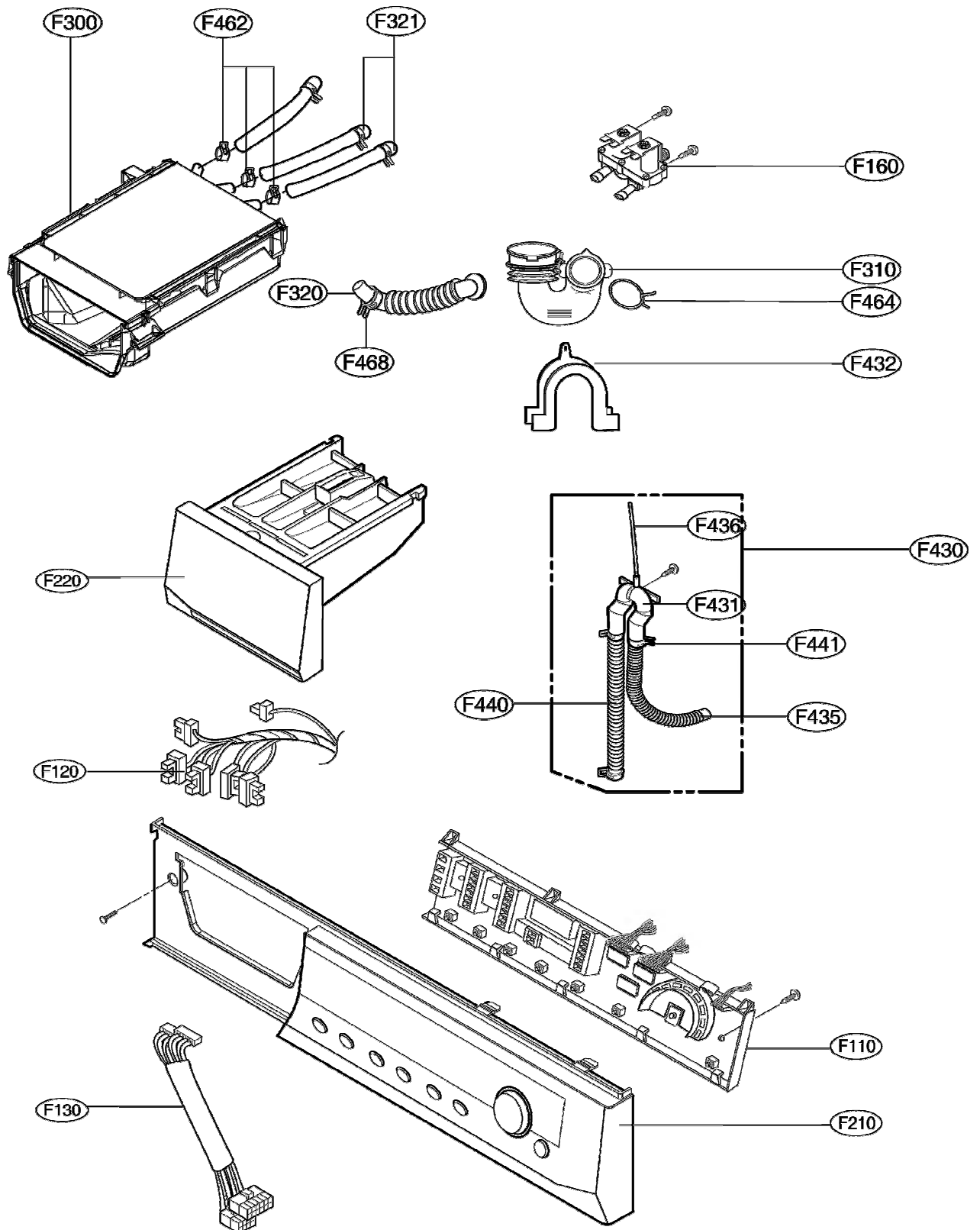


11-2 THE EXPLODED VIEW OF CONTROLPANEL & DISPENSER ASSEMBLY



■ WD(M)-8074F(H)B, WD(M)-1074(6)F(H)B, WD(M)- 1174(6)F(H)B, WD(M)-1274(6)F(H)B, WD(M)-1374(6)F(H)B
 WD-8078FHB, WD-1078FHB, WM- 1171(6)FHB, WM-1371(6)FHB, WD-1271FB(B), WD-1071FB(B)

