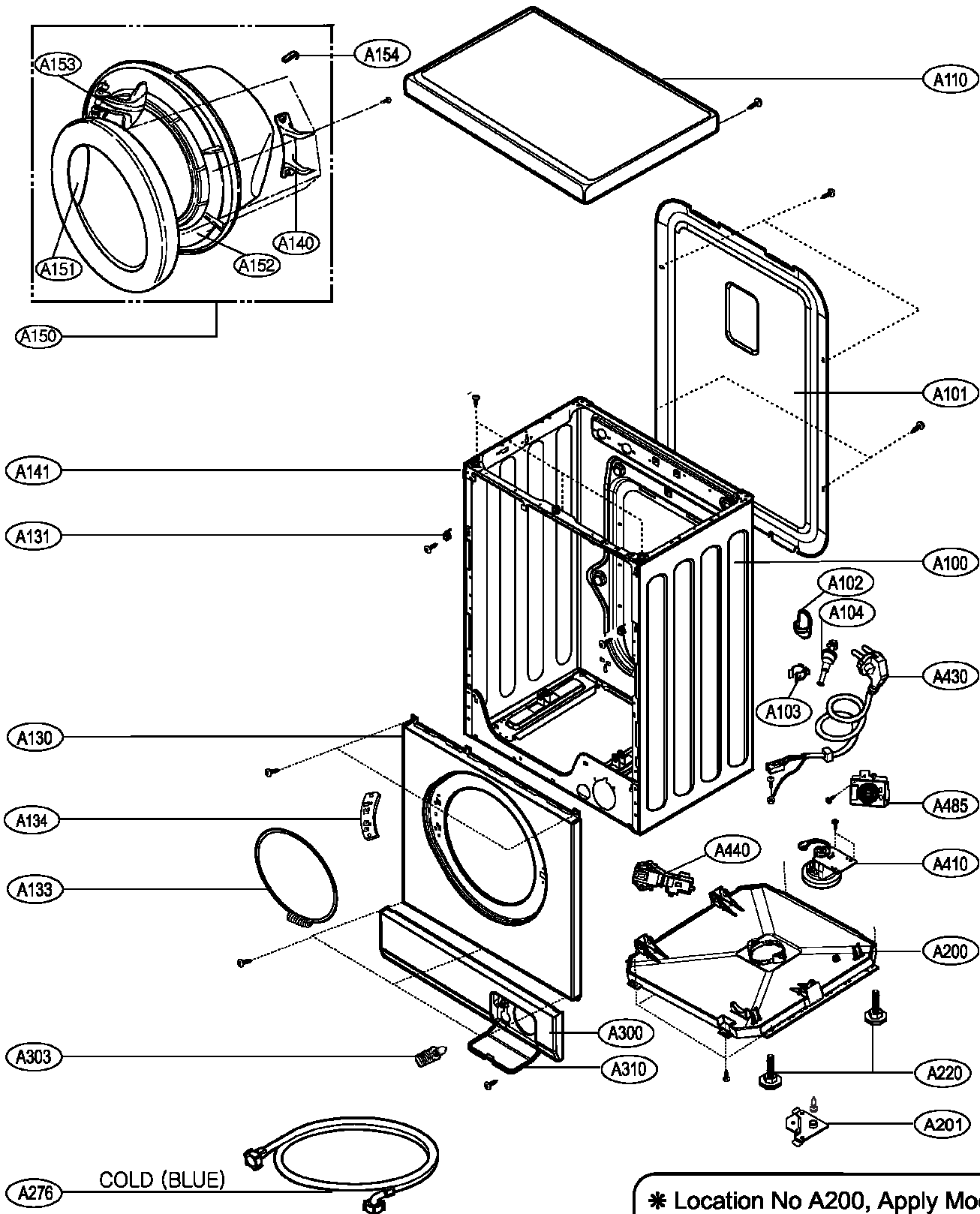


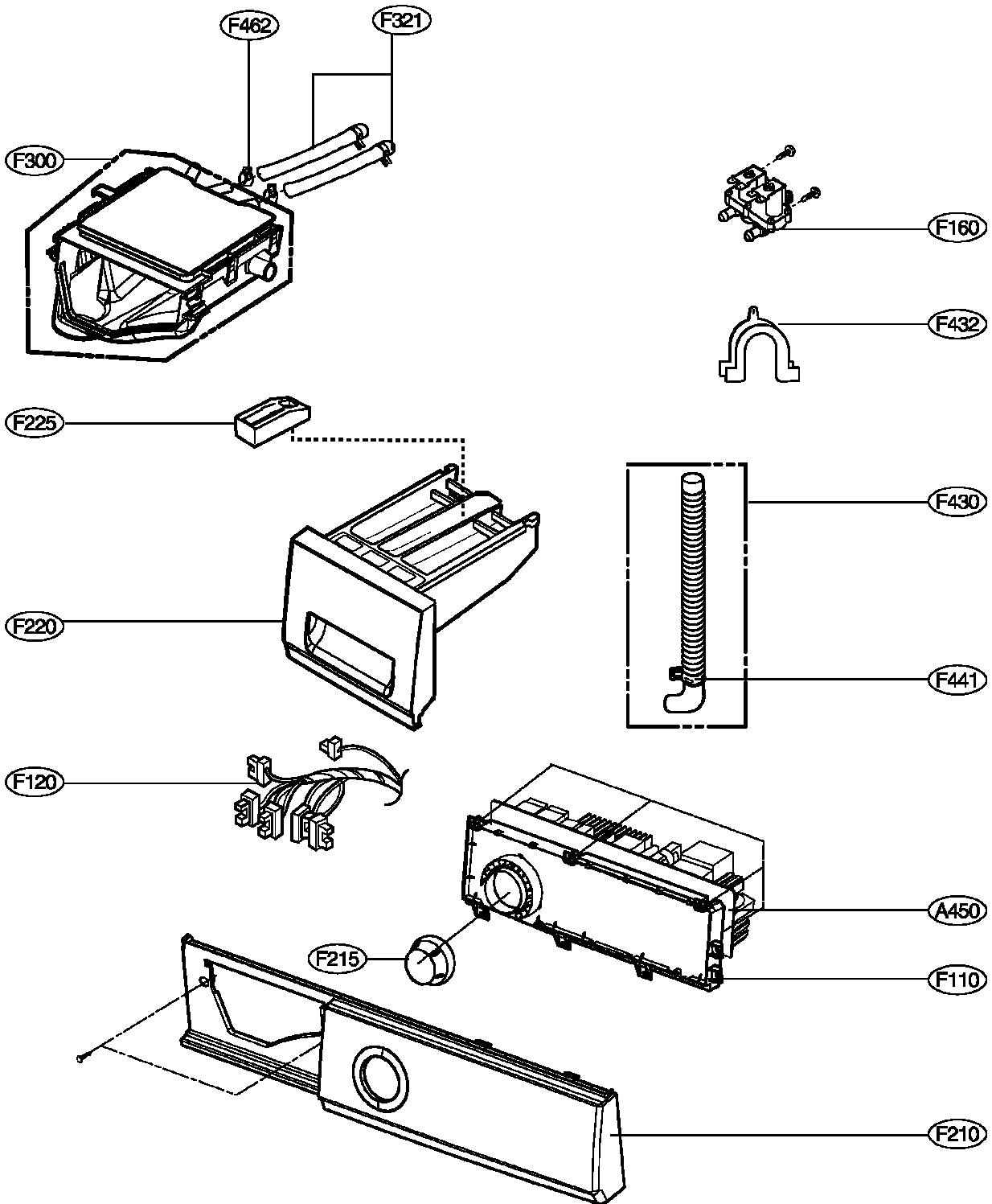
10. EXPLODED VIEW

10-1. THE EXPLODED VIEW OF CABINET ASSEMBLY



* Location No A200, Apply Model is WD-****TD(K)

10-2 THE EXPLODED VIEW OF CONTROL PANEL & DISPENSER ASSEMBLY



* Location No F216, Apply Model is
WD-**35(36)*TD(K)

10-3 THE EXPLODED VIEW OF DRUM & TUB ASSEMBLY

