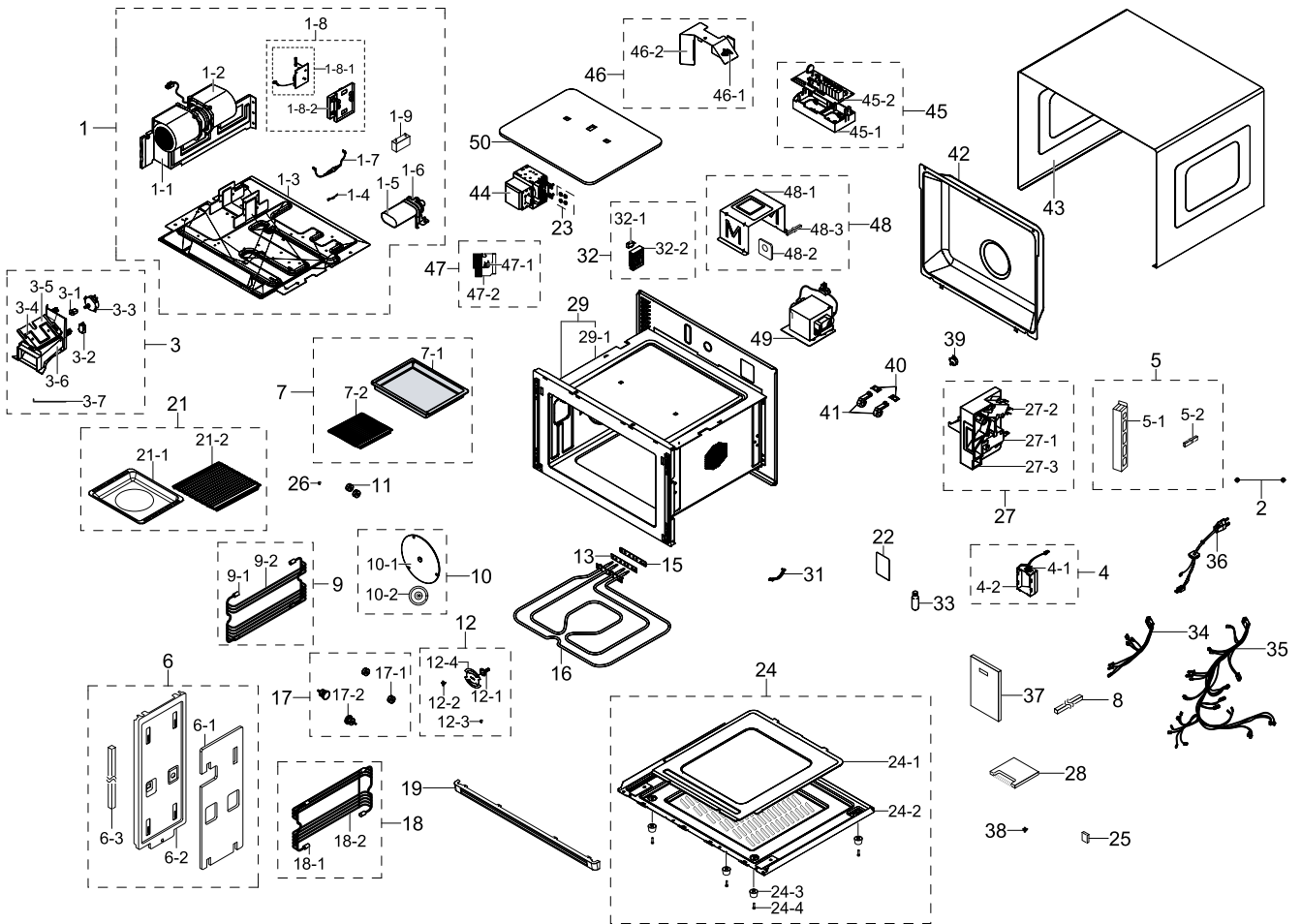


1. CQ1570U/XEF

Exploded View



Parts List

No.	Lvl.	Loc.	Material Code	Description & Specification	SNA	Qty.
1	1	P214	DE97-00612A	ASSY BRACKET UPPER; FQ159ST,-,-,1.5 CU.FT	SNA	1
1-1	2	P168	DE97-00650A	ASSY BRACKET-VENT MOTOR(A); FQ159ST,-,-,1	SA	1
1-2	2	M024	DE31-00028E	MOTOR AC VENTILATION; SMV-370EA,2,220/230	SA	1
1-3	2	P219	DE97-00621A	ASSY BRACKET UPPER-SUB; FQ159ST,SGCC/SECC	SA	1
1-4	2	M527	DE59-00002A	DIODE-H.V; MWO ALL,2CL4512H,350mA 12KV,BU	SA	1
1-5	2	M039	2501-001012	C-OIL; 1130nF,2100V,BK,35x54x80,20mm	SNA	1
1-6	2	M040	DE61-50106A	BRACKET-HVC; EGI-SECC,T0.6	SA	1
1-7	2	M042	DE91-70061H	ASSY H.V.FUSE; 5KV,900mA,SCREW,WHT,#250+#	SA	1
1-8	2		DE97-00649A	ASSY HOLDER NOISE FILTER; FQ159ST,1.5 CU.	SNA	1

Exploded Views and Parts List

No.	Lvl.	Loc.	Material Code	Description & Specification	SNA	Qty.
1-8-1	3	M017	DE96-00399A	ASSY NOISE FILTER; SN-UF11A,250V/15A,250V	SA	1
1-8-2	3	M230	DE61-00826A	HOLDER-NOISEFILTER; 1.5CONV,PP,-,-,-,-,-	SNA	1
1-9	2		2301-001927	C-FILM,LEAD; 3,-25to+85,450V,+10~-5,37x22	SNA	1
2	1	W004	DE96-00552A	ASSY WIRE HARNESS-C; SCO M,230VAC,230VAC	SA	1
3	1	T050	DE97-00613A	ASSY DAMPER; FQ159ST,-,21V-VI/TSE ASSY	SA	1
3-1	2	M075	DE66-00176A	CAM-MOTOR; 1.5CONV,POM	SA	1
3-2	2	B048	3405-001034	SWITCH-MICRO; 125/250VAC,16A,200gf,SPST-N	SA	1
3-3	2	M358	DE31-10098A	MOTOR AC DRIVE; M2LB24ZR92,8,220~240V,50/	SA	1
3-4	2	P038	DE66-00175A	DAMPER-GASKET(MGT); 1.5 CONV,SILICON,T2.5	SA	1
3-5	2	P037	DE66-00174A	DAMPER-SWING (MGT); 1.5 CONV,EGI-SECC,T0.	SA	1
3-6	2	P263	DE66-00189A	DAMPER; HS-C427AST,PA66	SA	1
3-7	2	P080	DE70-00548A	ROD-DAMPER (MGT); 1.5 CONV,HSWR-SWRH,D2.0	SNA	1
4	1	M036	DE96-00521A	ASSY LAMP; 1.5 CU.FT SPEED CONV,-,230V25H	SA	1
4-1	2	M236	DE47-00041A	LAMP SOCKET; G9,250V,2A,CERAMIC,G9,1	SA	1
4-2	2	M086	DE63-00379A	COVER-LAMP; 1.5 CONV,STAINLESS-ST5430,T0.	SNA	1
5	1	M053	DE96-00542B	ASSY GUIDE AIR; 1.5 CONV,-,BRACKET+SPONGE	SA	1
5-1	2	M013	DE61-00768B	BRACKET-AIR GUIDE; 1.5 CONV,GI-SGCC,T0.5,	SNA	1
5-2	2		DE69-00612C	CUSHION-SPONGE(C); 1.5 CONV,PUR FOAM,5,10	SNA	1
6	1	M215	DE97-00615A	ASSY-ADIABATIC; FQ159ST,-,F/GLASS (T5.0),	SNA	2
6-1	2	P216	DE62-00056A	ADIABATIC-SIDE; 1.5CONV,FIBER GLASS,T5	SNA	2
6-2	2	M025	DE63-00342A	COVER-ADIABATIC; 1.5CONV,GI-SGCC,T0.8	SNA	2
6-3	2	X081	DE69-00612B	CUSHION-SPONGE(B); 1.5 CONV,PUR FOAM,10,1	SNA	1
7	1	T042	DE97-00651B	ASSY PACKING TRAY; FQ159ST,SS GRAY,TRAY	SNA	1
7-1	2	T002	DE63-00344B	TRAY-CERAMIC; 1.5 CONV,ceramic,SS GRAY	SA	1
7-2	2	T128	DE66-00186A	RACK-WIRE(S); 1.5 CONV,MSWR-SWRM,H 15	SA	1
8	1	X081	DE69-00612B	CUSHION-SPONGE(B); 1.5 CONV,PUR FOAM,10,1	SNA	1
9	1	T077	DE97-00620A	ASSY WIRE RACK-SUPPORT(L); FQ159ST,-,-,-	SA	1
9-1	2	T026	DE61-00858A	FOOT-RACK; 1.5 CONV,TEFLON	SA	4
9-2	2	P270	DE61-00850A	SUPPORT-RACK(L); 1.5 CONV,MSWR-SWRM	SNA	1

No.	Lvl.	Loc.	Material Code	Description & Specification	SNA	Qty.
10	1	M226	DE96-00543B	ASSY COVER-STIRRER; HSB-C427AST,-,MICA T1	SNA	1
10-1	2	M087	DG63-00031A	COVER-STIRRER; HSB-C427AST,MICA SHEET,T1.	SA	1
10-2	2	P189	DE61-00776A	SUPPORT-STIRRER; 1.5CONV,PPS	SNA	1
11	1	M237	DE61-01018A	HOLDER-SUPPORT(REAR); AURORA PROJECT,TEFL	SA	2
12	1	P001	DE97-00618A	ASSY STIRRER; FQ159ST,PPS,1.5 CU.FT SPEED	SA	1
12-1	2	T037	DE61-00766A	HOLDER-STIRRER; 1.5 CONV,TEFLON	SA	1
12-2	2	T084	DG61-00092A	CLIP-STIRRER(A); FQ159ST,TEFLON-PFA,PFA	SA	2
12-3	2	T086	DG61-00093A	CLIP-STIRRER(B); FQ159ST,PPS,-,BLK,XP-216	SA	2
12-4	2	T036	DE66-00171A	BLADE-STIRRER; 1.5 CONV,ALP1050,T0.6	SA	1
13	1	M008	DE81-01464A	GASKET-HEATER; 1.5 CONV,KSD 5103,C2700W	SA	1
15	1	M233	DE61-00849A	BRACKET-GASKET HEATER; 1.5 CONV,EGI-SECC,	SNA	1
16	1	H071	DE47-00038A	HEATER SHEATH-GRILL; AC230V,BKT,1500W/120	SA	1
17	1	M225	DE96-00540A	ASSY HOLDER RACK; 1.5 CONV,STSS+TEFRON	SA	2
17-1	2	M059	DE61-00852A	HOLDER-RACK; 1.5 CONV,STAINLESS-ST304	SNA	2
17-2	2	M097	DE61-00851A	HOLDER-SUPPORT; 1.5 CONV,TEFLON	SNA	2
18	1	T076	DE97-00619A	ASSY WIRE RACK-SUPPORT(R); FQ159ST,-,-,-	SA	1
18-1	2	T026	DE61-00858A	FOOT-RACK; 1.5 CONV,TEFLON	SA	4
18-2	2	P272	DE61-00850B	SUPPORT-RACK(R); 1.5 CONV,MSWR-SWRM	SNA	1
19	1	M089	DE64-01591A	DECORATION-FOOT; HS-C427AST,PC,W505,COUNT	SC	1
21	1	Z789	DE90-00808A	ASSY PACKING RACK-SUB; 1.5 CONV SPP T0.6,	SA	1
21-1	2	T021	DE63-00339A	TRAY-CONVECTION; 1.5 CONV,CR-SPP,ENAMEL C	SA	2
21-2	2	T127	DE66-00187A	RACK-WIRE(B); 1.5 CONV,MSWR-SWRM,W413 D33	SA	1
22	1	M163	DE81-01463A	GLASS-LAMP; 1.5 CONV,TEMP GLASS,T2.0	SA	1
23	1	H024	DE60-30015A	NUT-FLANGE; MSWR-SWRM,P0.8,FEFZY	SA	4
24	1	M045	DG96-00011A	ASSY BASE PLATE SUB; HS-C427AST,-,-,-	SA	1
24-1	2	P044	DE67-00217A	DUCT-BASE; HS-C427AST,GI-SGCC,T0.6,W406,D	SNA	1
24-2	2	M048	DE61-00759A	BASE-PLATE; 1.5 CONV,GI-SGCC,T0.6	SA	1
24-3	2	M047	DE61-40065A	FOOT; -,PP,T2x22x17mm,BLK,-,-,-	SA	4
24-4	2	M046	DE60-60025A	PIN-FOOT; MC28H5013AK/BW,PP,NATURAL	SA	4
25	1		DG69-00030A	CUSHION-MOTOR; EVA,T6,W20,L15,BLACK	SNA	2
26	1	T086	DG61-00093A	CLIP-STIRRER(B); FQ159ST,PPS,-,BLK,XP-216	SA	3

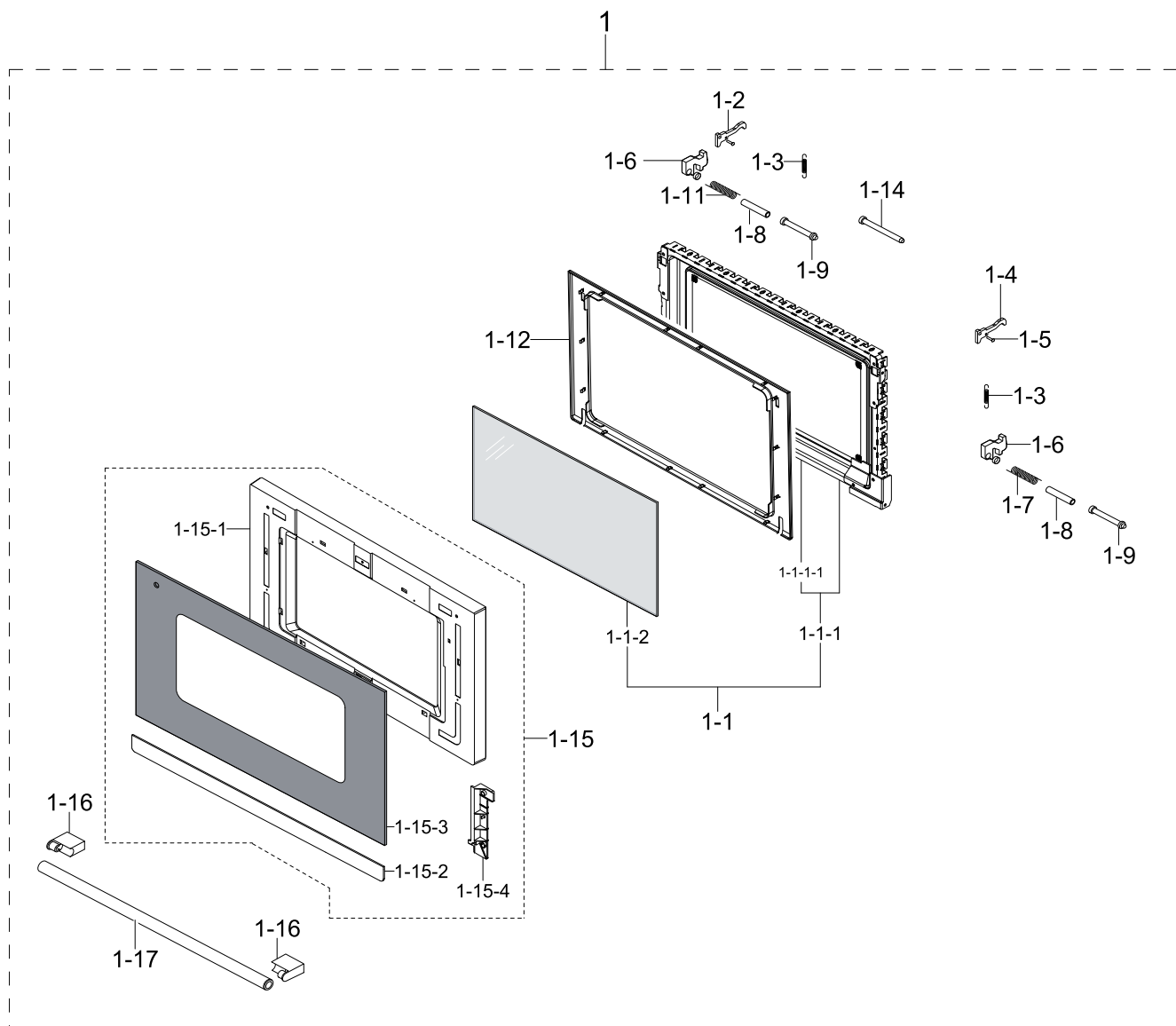
Exploded Views and Parts List

No.	Lvl.	Loc.	Material Code	Description & Specification	SNA	Qty.
27	1	B022	DE96-00518C	ASSY BODY LATCH-R; FQ159UST/XSA,TBMO/LEFT	SA	1
27-1	2	B048	3405-001034	SWITCH-MICRO; 125/250VAC,16A,200gf,SPST-N	SA	1
27-2	2	B046	3405-001032	SWITCH-MICRO; 125/250VAC,16A,200gf,SPDT,T	SA	1
27-3	2	B024	DE96-00519D	ASSY BODY LATCH SUB; M-project,'NYLON,M-P	SNA	1
28	1	X075	DE63-90035N	CUSHION RUBBER; ASPHALT,T2,W20,L20,BLACK	SA	2
29	1	Y103	DE94-01372A	ASSY CAVITY COATING; FQ159ST,1.5 CU.FT,CO	SNA	1
29-1	2		DE94-01373A	ASSY CAVITY WELDING; FQ159ST,1.5 CU.FT,WE	SNA	1
31	1	M054	DE32-10013A	SENSOR; PTM-K312-K2,MG620440,-20to+310C,1	SA	1
32	1	B023	DE96-00694C	ASSY BODY LATCH-L; NQ50C7535DS	SA	1
32-1	2	B048	3405-001034	SWITCH-MICRO; 125/250VAC,16A,200gf,SPST-N	SA	1
32-2	2	B055	DE61-01007C	LATCH-BODY L; M-Project,PA,-,-,BLACK,(NYR	SNA	1
33	1	U013	DE47-00040B	LAMP-HALOGEN; G9,40W,230V,FROST BULB	SA	1
34	1	W074	DE96-00513A	ASSY WIRE HARNESS-B; SCO M,230VAC,230VAC	SA	1
35	1	W002	DE96-00512A	ASSY WIRE HARNESS-A; SCO M,230VAC,230VAC	SNA	1
36	1	M015	DE96-00385A	ASSY POWER CORD; VDE,Straight,E.U,250V/16	SA	1
37	1	M393	DE69-00613B	CUSHION-RUBBER(HVT); HS-C427AST,CR FOAM,T	SNA	1
38	1	T084	DG61-00092A	CLIP-STIRRER(A); FQ159ST,TEFLON-PFA,PFA	SA	3
39	1	M539	DE31-10173B	MOTOR AC DRIVE; M2LJ29A709,8,220~240V,50/	SA	1
40	1	M005	DE61-70060A	SPRING-PLATE; SK5,T0.5	SNA	2
41	1	M532	DE61-00853A	SUPPORT-HEATER; 1.5 CONV,ALUMINA	SA	2
42	1	P186	DE63-00341A	COVER-BACK; 1.5CONV,GI-SGCC,T0.6	SA	1
43	1	M001	DE64-01599D	PANEL-OUTER; CQ1570,EGI-SECC,T0.6,W484.8,	SC	1
44	1	M035	OM75P(20)MTMN	ASSY-MGT; ASSY-MGT		1
45	1	C164	DE96-00524G	ASSY HOLDER PCB; CQ1570U/XEF,COUNTER-TOP	SNA	1
45-1	2	C178	DE61-00827A	HOLDER-PCB; 1.5CONV,PP,-,-,-,-,-	SA	1
45-2	2	F316	DE92-02382L	ASSY PCB MAIN; LED,RCS-M1-58,Y,230V 50HZ,	SA	1
46	1	P169	DE97-00614A	ASSY BRACKET-MGT; FQ159ST,SGCC,SECC,T0.5,	SNA	1

No.	Lvl.	Loc.	Material Code	Description & Specification	SNA	Qty.
46-1	2	M031	DE47-00002B	THERMOSTAT; 125/250V,15/7.5A,110,100,NORM	SA	1
46-2	2	P170	DE61-00774A	GUIDE-AIR(MGT); 1.5CONV,EGI-SECC,T0.5	SA	1
47	1		DE97-00617D	ASSY BRACKET-VENT+GRILL-TCO; M-PJT,-,-,CO	SNA	1
47-1	2	M449	DE47-20030A	THERMOSTAT; 125/250V,15/7.5A,160,60,NORMA	SA	1
47-2	2		DE96-00541B	ASSY BRACKET-VENT MOTO(B); 1.5 CONV,-,-,	SNA	1
48	1	P275	DE96-00545A	ASSY BRACKET-HVT; 1.5 CONV,-,-,BRACKET	SA	1
48-1	2	P276	DE61-00828A	BRACKET-HVT; 1.5 CONV,EGI-SECC,T1.0	SNA	1
48-2	2	M393	DE69-00613A	CUSHION-RUBBER(HVT); 1.5 CONV,CR FOAM	SNA	1
48-3	3		DE69-00612C	CUSHION-SPONGE(C); 1.5 CONV,PUR FOAM,5,10	SNA	1
49	1	M038	DE26-00149A	TRANS H.V; SHV-E10A,230V,2450V/3.30V,AL/A	SNA	1
50	1	M028	DE62-00057A	ADIABATIC-UPPER; 1.5CONV,FIBER GLASS,T5	SNA	1

2. ASSY DOOR

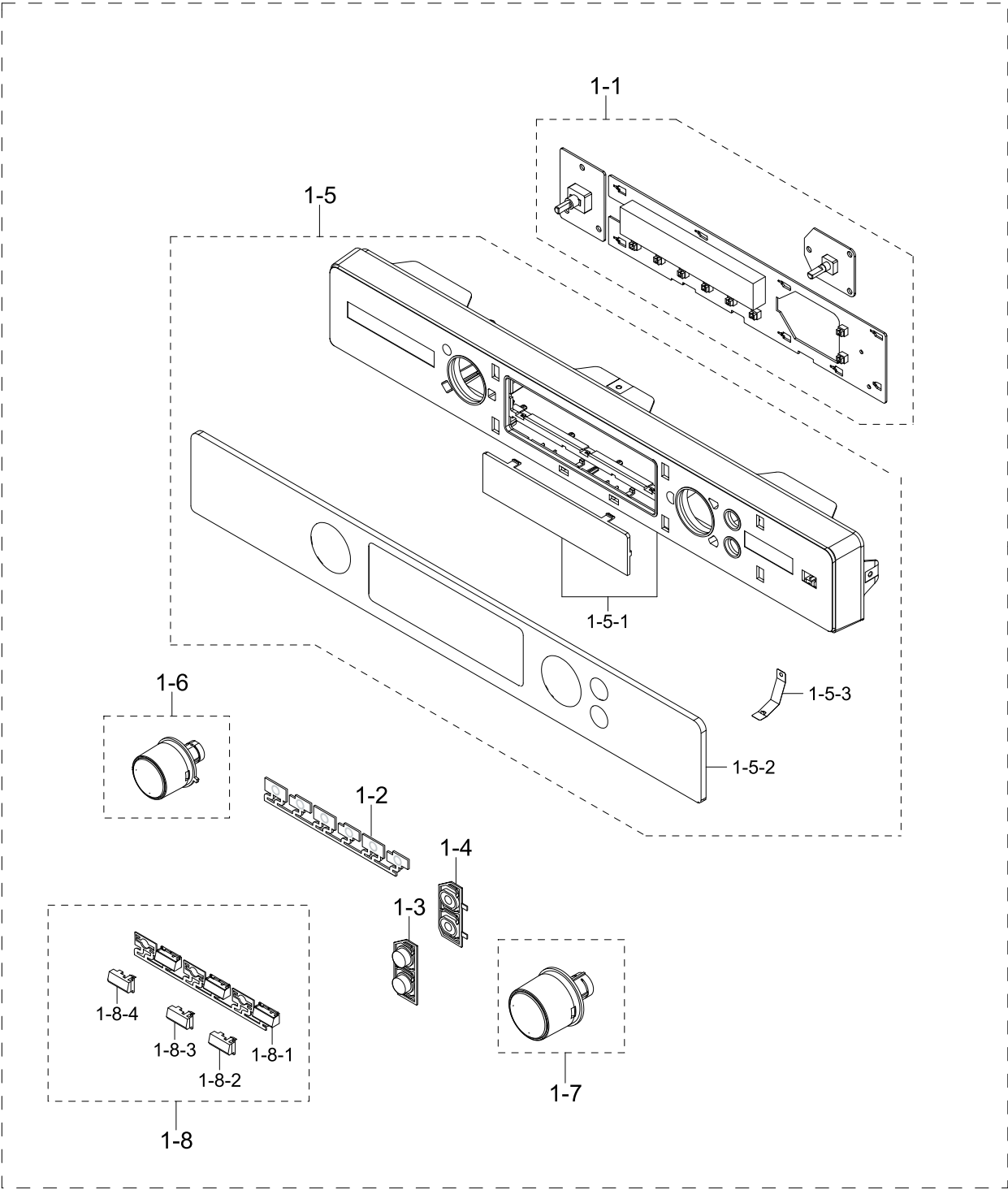
Exploded View



Parts List

3. ASSY CONTROL BOX

Exploded View

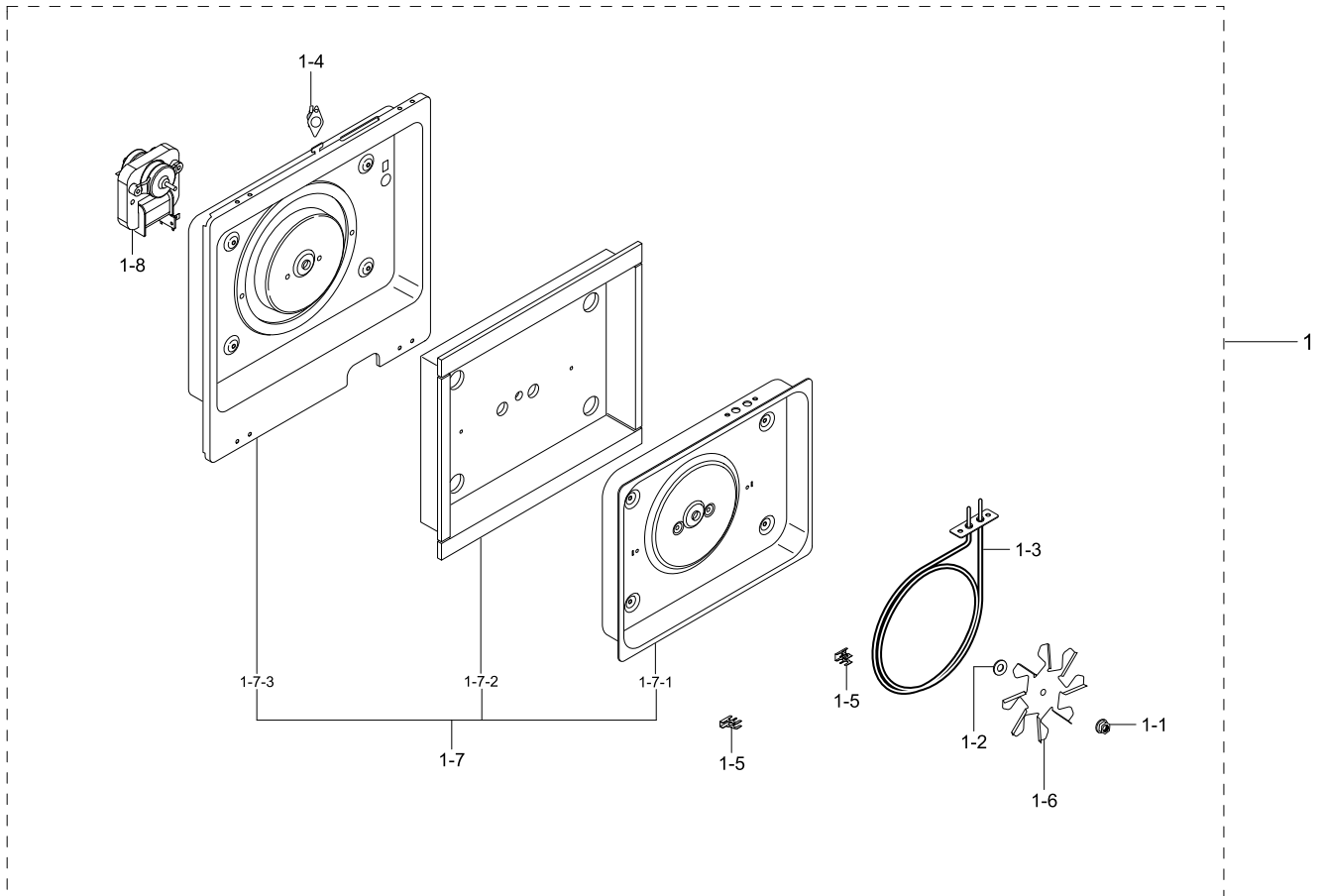


Parts List

No.	Lvl.	Loc.	Material Code	Description & Specification	SNA	Qty.
1	1	C082	DG94-00013C	ASSY CONTROL BOX; CQ1570U/XEF,230V/50HZ,N	SNA	1
1-1	2	C154	DE96-00554B	ASSY DISPLAY; FQ159UST,DAM-M1_EURO_B,-,-,	SA	1
1-2	2	C151	DE63-00361A	COVER-BUTTON(A); 1.5 CONV,PC	SNA	1
1-3	2	C019	DE64-01521A	BUTTON-START; 1.5 CONV,PC,NATURAL,STS(A)	SA	1
1-4	2	C152	DE63-00362A	COVER-BUTTON(B); 1.5 CONV,PC	SNA	1
1-5	2	C001	DG94-00015B	ASSY CONTROL PANEL; CQ1570U/XEF,NATURAL-S	SNA	1
1-5-1	3		DG94-00014B	ASSY CONTROL PANEL SUB; CQ1570U/XEF,NATUR	SNA	1
1-5-2	3	C053	DE64-01560B	CHASSIS-C/PANEL; CQ1570U/XEF,STS,T0.5,COU	SNA	1
1-5-3	3	M011	DE61-00867A	BRACKET-EARTH; HS-C427AST,STAINLESS-STS30	SA	1
1-6	2	C261	DE97-00622A	ASSY KNOB-SELECT; FQ159ST,-,-,1.5 CU.FT S	SNA	1
1-7	2	C262	DE97-00623A	ASSY KNOB-TIMER; FQ159ST,-,-,1.5 CU.FT SP	SNA	1
1-8	2	C263	DE97-00658A	ASSY BUTTON; FQ159ST,-,BLACK,-	SNA	1
1-8-1	3	C011	DE64-01471A	BUTTON-SELECT(A); 1.5 CONV,PC,BLK,SPRAY	SNA	1
1-8-2	3	C012	DE64-01472A	BUTTON-SELECT(B); 1.5 CONV,PC,BLK,SPRAY	SNA	1
1-8-3	3	C012	DE64-01472B	BUTTON-SELECT(B); 1.5 CONV,PC,BLK SPRAY	SNA	1
1-8-4	3	C013	DE64-01525A	BUTTON-SELECT(C); 1.5 CONV,PC,BLK SPRAY	SNA	1

4. ASSY CASE

Exploded View



Parts List

No.	Lvl.	Loc.	Material Code	Description & Specification	SNA	Qty.
1	1	H067	DE97-00610E	ASSY CASE; FQ159ST,1320/1900rpm,220/230V-	SNA	2
1-1	2	H010	6021-001149	NUT-HEXAGON FLANGE; M4,NL,SWRCH10A,LEFT T	SNA	2
1-2	2	H008	6031-001544	WASHER-PLAIN; SECC,ID4,OD16,T1,ZNC3,ID3	SNA	2
1-3	2	H072	DE47-00037A	HEATER SHEATH-CONVECTION; AC230V,BKT,1500	SA	2
1-4	2	M436	DE47-20009A	THERMOSTAT; 125/250V,15/7.5A,150,60,NORMA	SA	2
1-5	2	M012	DE61-00831A	BRACKET-HEATER; 1.5 CONV,STAINLESS-ST5430	SA	4
1-6	2	M090	DE67-00205A	FAN-CONVECTION; 1.5 CONV,ALSTAR,T0.6	SA	2
1-7	2	H005	DE97-00611A	ASSY COVER CASING; FQ159ST,-,-,230V50HZ15	SA	2
1-7-1	3	H014	DE61-00767A	BRACKET-CASING; 1.5 CONV,ALSTAR,T0.6,W314	SNA	2

Exploded Views and Parts List

No.	Lvl.	Loc.	Material Code	Description & Specification	SNA	Qty.
1-7-2	3	H006	DE62-00053A	ADIABATIC-CASING; 1.5CONV,FIBER GLASS,T5,	SNA	2
1-7-3	3	H015	DE63-00340A	COVER-CASING; 1.5CONV,EGI-SECC,T0.6,W350,	SNA	2
1-8	2	H001	DE31-00062A	MOTOR AC CONVECTION; M-PRO,SMC-M159E,2,23	SA	2