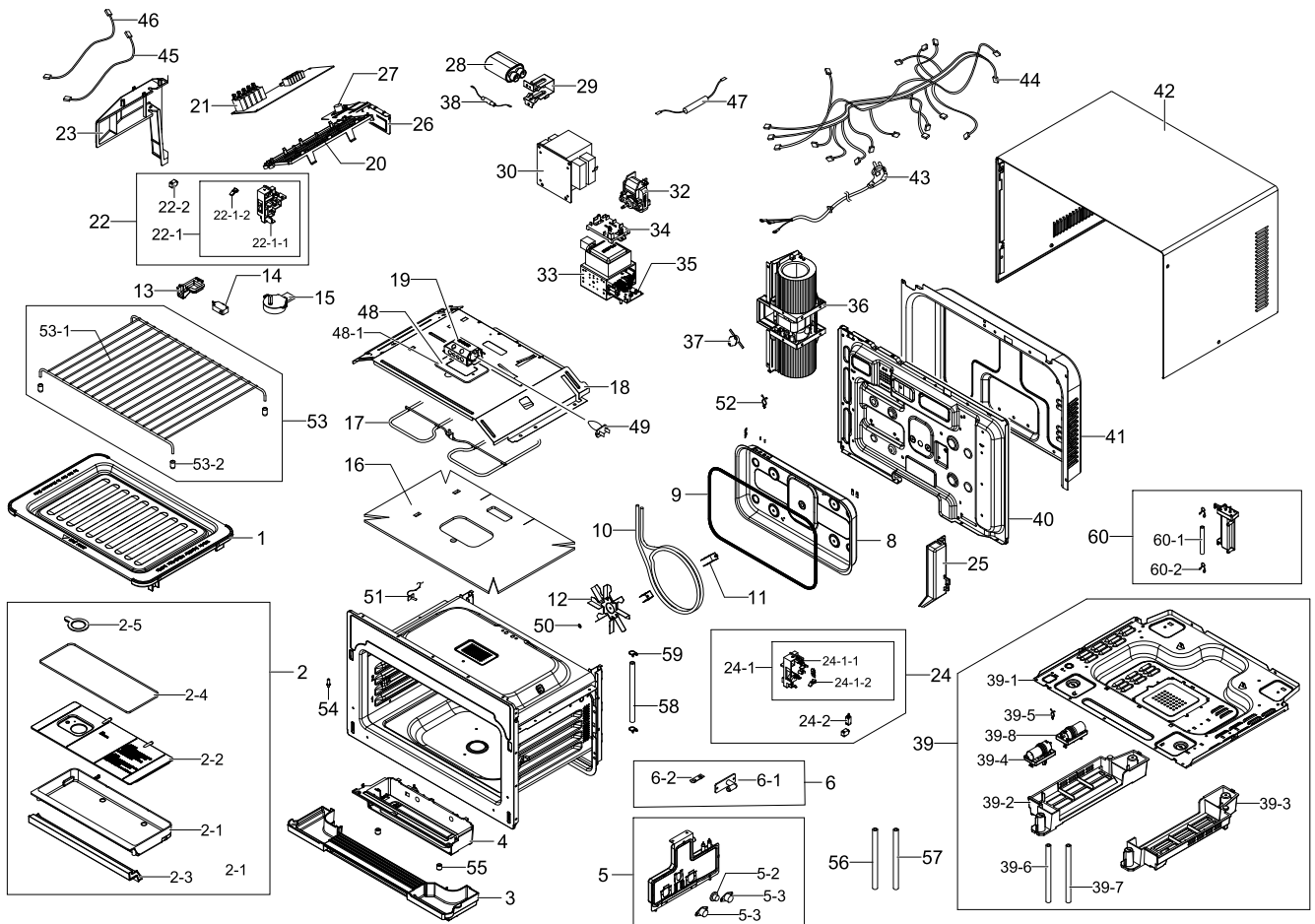


1. MAIN1

Exploded View



Parts List

No.	Lvl.	Loc.	Material Code	Description & Specification	SNA	Qty.
1	2		DE94-02979A	ASSY TRAY-OVEN; MC324GAKCBB,CELESTA	SA	1
2	2	X004	DE94-02984A	ASSY BOWL-WATER; MC324GAKCBB,PC,CELESTA	SA	1
2-1	3	X020	DE75-00086A	BOWL-WATER; CELESTA,PC,68%	SNA	1
2-2	3	X019	DE63-00737A	COVER-BOWL WATER; CELESTA,PC,SC-1220R G01	SNA	1
2-3	3	X056	DE64-02655A	HANDLE-BOWL WATER; MC324GAKCBB,PC,BLACK,C	SNA	1
2-4	3		DE63-00750A	GASKET-COVER BOWL; CELESTA,SILICONE RUBBE	SNA	1
2-5	3		DE67-00278A	CAP-BOWL WATER; MC324GAKCBB,SILICONE RUBB	SNA	1
3	2		DE61-01465A	GUIDE-BOWL WATER; MC324GAKCBB,PC,141R 701	SA	1
4	3		DE94-02986A	ASSY HOLDER-BOWL WATER; MC324GAKCBB,CELES	SA	1

Exploded Views and Parts List

No.	Lvl.	Loc.	Material Code	Description & Specification	SNA	Qty.
5	2		DE96-01005A	ASSY HEATER-STEAM; CELESTA,220V,780W	SA	1
5-2	3	M054	DG32-00005A	SENSOR-TOP; CTI613EHST,INDUCTION	SA	1
5-3	3	M030	DE47-00003A	THERMOSTAT; NT-101,125/250V,1205,1105	SC	2
6	2	S130	DE94-01725B	ASSY-NOZZLE STEAM; SQ4111B,PPS,AURORA STE	SA	1
6-1	3	S131	DE62-00073A	NOZZLE-INNER; ATAG-STEAM,PPS,BROWN	SA	1
6-2	3	S133	DE63-00560A	GASKET-NOZZLE STEAM; CQV137,SILICONE RUBB	SNA	1
8	4	H014	DE61-01460A	BRACKET-CASING; MC324GAKCBB,ALCOT,T0.6,W4	SNA	1
9	4		DE63-00743A	GASKET-CASING; CELESTA,SILICONE RUBBER,HR	SNA	1
10	4	H072	DE47-00053A	HEATER SHEATH-CONVECTION; SHC-D324A,MC324	SA	1
11	4	M012	DE61-00831A	BRACKET-HEATER; 1.5 CONV,STAINLESS-STS430	SA	2
12	4	H018	DE31-90020C	BLADE-FAN; MC324GAKCBB,STAINLESS-STS304,C	SNA	1
13	2	F142	DE61-01494A	GUIDE-WIRE; CELESTA,PC,LEXAN141R,BLACK	SNA	1
14	3	B048	3405-001034	SWITCH-MICRO; 125/250VAC,16A,200gf,SPST-N	SA	1
15	2	M539	DE31-10173B	MOTOR DRIVE; M2LJ29A709,FQ159ST,FREE,29.1	SA	1
16	2	M028	DE62-00098A	ADIABATIC-UPPER; CELESTA,FIBER GLASS,T6	SNA	1
17	2	H071	DE47-00052A	HEATER SHEATH-GRILL; BKT	SA	1
18	4	M003	DE61-01452A	BRACKET-UPPER; MC324GAKCBB,EGI-SECC,T0.5,	SNA	1
19	3		DE63-00734A	COVER LAMP; MC324GAKCBB,STAINLESS-STS430,	SNA	1
20	3	C178	DE61-01468A	HOLDER-PCB; MC324GAKCBB,PA66,BLK,CELESTA	SNA	1
21	2	F316	DE92-03302D	ASSY PCB MAIN; MC324GAKCBB/EF,CELESTA-03,	SA	1
22	2	B023	DE94-02200A	ASSY BODY LATCH-L; TRIO PLUS,NYLON#66 GF1	SNA	1
22-1	3	B025	DE94-02201A	ASSY BODY LATCH SUB-L; TRIO PLUS,NYLON#66	SA	1
22-1-1	4	B045	DE61-01226A	LATCH-BODY L; TRIO PLUS,PA66,-,-,KN3321	SA	1
22-1-2	4	B013	DE66-00223A	LEVER-SWITCH L; TRIO PLUS,PA66,NON-FLAMMA	SA	1
22-2	3	B048	3405-001034	SWITCH-MICRO; 125/250VAC,16A,200gf,SPST-N	SA	1
23	3		DE61-01462A	GUIDE AIR-INNER; MC324GAKCBB,PA66,KN333G3	SNA	1

No.	Lvl.	Loc.	Material Code	Description & Specification	SNA	Qty.
24	2	B022	DE94-02203A	ASSY BODY LATCH-R; TRIO PLUS,NYLON#66 GF1	SNA	1
24-1	3	B061	DE94-02202A	ASSY BODY LATCH SUB-R; TRIO PLUS,NYLON#66	SA	1
24-1-1	4	B062	DE61-01227A	LATCH-BODY R; TRIO PLUS,PA66,-,-,KN3321	SA	1
24-1-2	4	B058	DE66-00224A	LEVER-SWITCH R; TRIO PLUS,PA66,NON-FLAMMA	SA	2
24-2	3	B046	3405-001032	SWITCH-MICRO; 125/250VAC,16A,200GF,SPDT	SA	1
25	3		DE61-01505A	GUIDE AIR-OUTER; CELESTA,PA66,KN333G15,BL	SNA	1
26	3	P274	DE61-01487A	GUIDE AIR-MGT; CELESTA,EGI-SECC,T0.5	SNA	1
27	3	M454	DE47-20037A	THERMOSTAT; NT-101,125/250V,1505,0,250H	SA	1
28	3	M039	2501-001011	C-OIL; 910nF,2100V,BK,54x35x75mm,20mm	SNA	1
29	3	M040	DE61-00115A	BRACKET-HVC; SMH7175,EGI-SECC,T0.6	SNA	1
30	3	M038	DE26-00149B	TRANS H.V; SHV-E10A-1,230V,50Hz,2450V/3.3	SA	1
32	4	H001	DE31-00049B	MOTOR CONVECTION; SMC-E7103A_A,230V/50Hz,	SA	1
33	2	M035	OM75P(21)ESVN	ASSY-MGT; ASSY-MGT		1
34	3	M264	DE61-01469A	HOLDER-NOISE FILTER; MC324GAKCBB,PA66,BLK	SA	1
35	3	M017	DE96-00399F	ASSY NOISE FILTER; AURORA STEAM,SN-UF11F,	SA	1
36	2		DE90-00938E	ASSY MOTOR VENTILATION; MC324GAKCBB,CELES	SA	1
37	4	M449	DE47-20030A	THERMOSTAT; NT-101,125/250V,150(1607,60	SA	1
38	3	M527	DE59-00002A	DIODE-H.V; MWO ALL,2CL4512H,-,450mA 13KV,	SA	1
39	2	M155	DE94-02982A	ASSY BASE PLATE; MC324GAKCBB,SGCC t0.6,CE	SNA	1
39-1	3	M048	DE61-01449A	BASE-PLATE; MC324GAKCBB,GI-SGCC,T0.8,CELE	SNA	1
39-2	3		DE63-00738A	COVER BASE-PLATE (L); MC324GAKCBB,PC,BLAC	SA	1
39-3	3		DE63-00739A	COVER BASE-PLATE (R); MC324GAKCBB,PC,BLAC	SA	1
39-4	3	M407	DE94-02988B	ASSY HOLDER-PUMP; MC324GAKCBB,DRAIN, CELE	SA	1
39-5	3	M131	DE65-20005A	WIRE-SADDLE; 2N,PA66	SNA	4
39-6	4		DE62-00069Q	TUBE-WATER B; MC324GAKCBB,SILICONE,L230,C	SA	1
39-7	4		DE62-00069S	TUBE-WATER D; MC324GAKCBB,SILICONE,6,L340	SA	1
39-8	3	M407	DE94-02988A	ASSY HOLDER-PUMP; MC324GAKCBB,CELESTA	SA	1

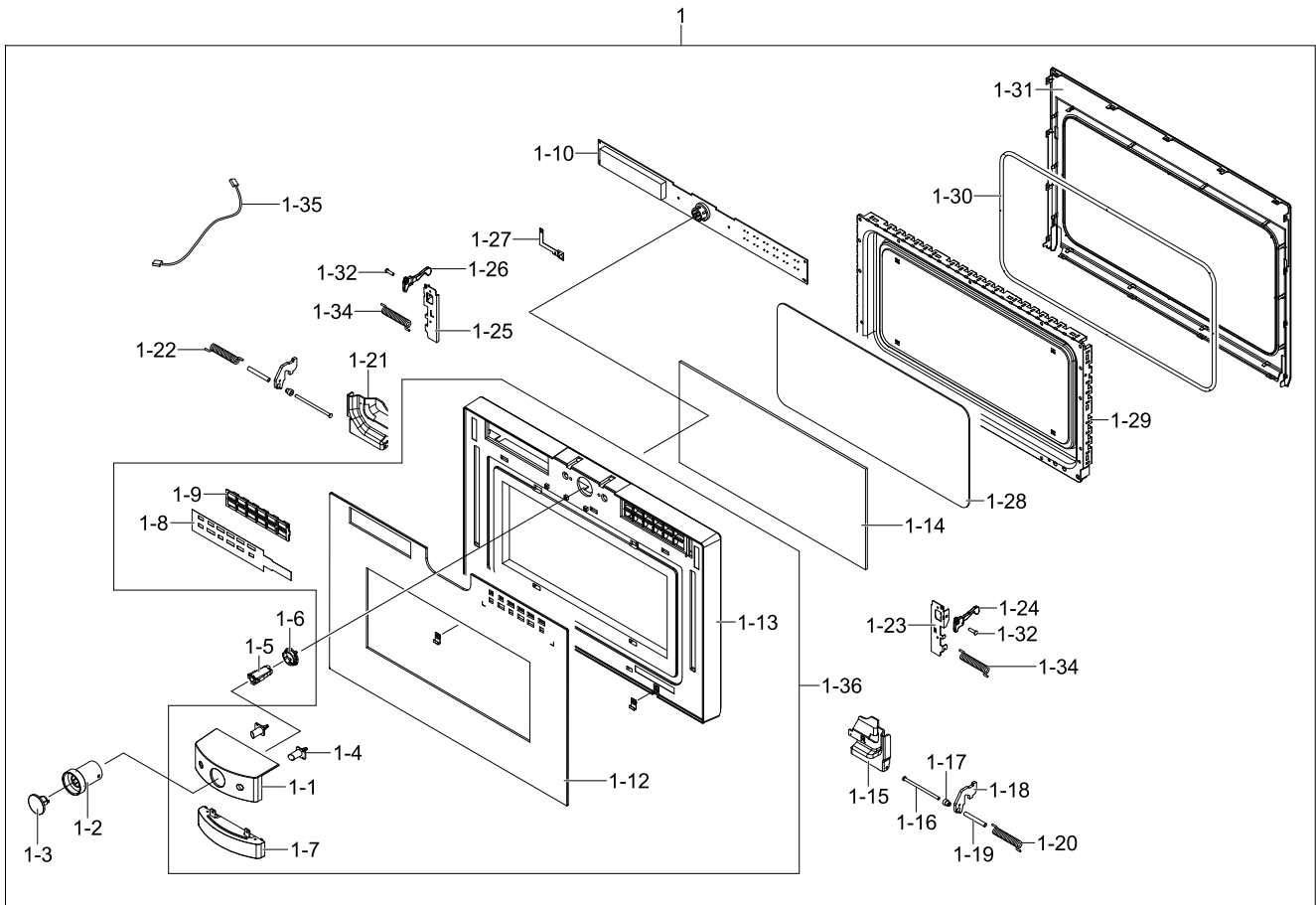
Exploded Views and Parts List

No.	Lvl.	Loc.	Material Code	Description & Specification	SNA	Qty.
40	4	P177	DE64-02653A	PANEL-BACK; CELESTA,GI-SGCC,T0.8,-,NATURA	SNA	1
41	2	P186	DE63-00733A	COVER BACK; MC324GAKCBB,GI-SGCC,T0.5,550,	SA	1
42	3	M001	DE64-02652D	PANEL OUTER; MC32**,EGI-SECC,T0.5,W411.6,	SNA	1
43	2	M015	DE96-00385A	ASSY POWER CORD; VDE,Straight,EUROPE,250V	SA	1
44	2	W002	DE96-00986A	ASSY WIRE HARNESS-A; MC324GAKCBB,220V/60H	SA	1
45	3	W080	DE96-00711A	ASSY WIRE HARNESS-B; AURORA STEAM,220V60H	SNA	1
46	2	W038	DE96-00987A	ASSY WIRE HARNESS-B; MC324GAKCBB,220V/60H	SNA	1
47	3	M042	DE91-70061C	ASSY H.V.FUSE; -,THV060T-0700-H,5KV/0.70A	SA	1
48	2		DE94-02983A	ASSY-GLASS LAMP; MC322GAKCBB,CELESTA	SNA	1
48-1	3		DE63-00749A	GASKET-GLASS; CELESTA,SILICONE RUBBER,HR4	SNA	1
49	3	M036	4713-001046	LAMP-INCANDESCENT; 240V,104mA,25W,ORG,25x	SA	1
50	4	H011	DE60-40014B	WASHER-C MOTOR; STAINLESS-ST304,T1.0,ZNC	SNA	1
51	2	M409	DE91-70083A	ASSY THERMISTOR; Aurora,PTM-K312-S5,-20	SA	1
52	2	M131	DE65-20005A	WIRE-SADDLE; 2N,PA66	SNA	3
53	2	T010	DE94-02985A	ASSY WIRE RACK; MC324GAKCBB,STS304,CELEST	SA	1
53-1	3	T030	DE75-00089A	RACK-WIRE; MC324GAKCBB,STAINLESS-ST304,C	SA	1
53-2	3	T116	DE61-00389A	FOOT-RACK; PG81/83,SILICONE,0.8 POWER-GRI	SNA	4
54	3	P419	DE61-00388A	STOPPER-BOLT; MT1044WB,STAINLESS-ST304,P	SA	1
55	4	S135	DE63-00752A	GASKET-NOZZLE WATER; SILICONE RUBBER,1.3,	SA	2
56	3		DE62-00069P	TUBE-WATER A; MC324GAKCBB,SILICONE,L135,C	SA	1
57	3		DE62-00069R	TUBE-WATER C; MC324GAKCBB,SILICONE,6,L135	SA	1
58	3		DE94-02971A	ASSY TUBE-STEAM; MC324GAKCBB,CELESTA	SA	1
59	4	M403	DE62-00068C	TUBE-STEAM; MC324GAKCBB,SILICONE,14,L100,	SA	1
60	2		DE96-01010A	ASSY SENSOR-LEVEL; MC324GAKCBB,WATER LEVE	SA	1

No.	Lvl.	Loc.	Material Code	Description & Specification	SNA	Qty.
60-1	3	X059	DE62-00069C	TUBE-WATER; STEAM OVEN,SILICON,6.0,60,3.0	SA	1
60-2	3	M405	DE61-01038A	HOLDER-HOSE A; 5.5,MSWR-SWRM	SNA	6

1.1. ASSY DOOR

Exploded View



Parts List

No.	Lvl.	Loc.	Material Code	Description & Specification	SNA	Qty.
1	1	D049	DE94-02972G	ASSY DOOR; MC324GAKCBB/EF,BLACK,EU MODEL	SA	1
1-1	3		DE64-02657C	HANDLE SUB; CELESTA,AL,-,NEO STS SILVER,A	SNA	1
1-2	2	C029	DE64-02659B	KNOB-DIAL; CELESTA,PC,SILVER,MC324GAKCWQ	SA	1
1-3	2		DE64-02677C	BUTTON START; MC324GAKCBB/EF,PC,BLACK	SA	1
1-4	3	C010	DE64-02660B	BUTTON-SELECT; CELESTA,PC,SILVER	SNA	2
1-5	2		DE61-01489A	HOLDER BUTTON; CELESTA,PC	SNA	1
1-6	2		DE61-01482A	HOLDER-DIAL; CELESTA,PC	SNA	1
1-7	3	D019	DE64-02658A	HANDLE DOOR; CELESTA,PC	SA	1
1-8	3	C004	DG34-00023C	SWITCH MEMBRANE; MC324GAKCBB/EF,PET,230V	SNA	1
1-9	3	C071	DE61-01470A	COVER-LED; PC,T1.0,V2,NATURAL,TP-1020,CEL	SNA	1

No.	Lvl.	Loc.	Material Code	Description & Specification	SNA	Qty.
1-10	2	C154	DE96-01008B	ASSY DISPLAY; MC324GAKCBB/EF,ICE BLUE,455	SA	1
1-12	3		DE64-02672G	SCREEN DOOR-B; MC324GAKCBB/EF,GLASS,T3.2,	SA	1
1-13	3	D002	DE64-02656A	DOOR-A; CELESTA,PC	SNA	1
1-14	2	D024	DE64-02674A	SCREEN-DOOR(C); CELESTA,GLASS,T4.0	SNA	1
1-15	4	Q094	DE61-01454A	BRACKET-DOOR HINGE(L); CELESTA,CR-SCP1,T2	SNA	1
1-16	3		DE66-00253A	SHAFT HINGE; MC324GAKCBB,SUM24L,CELESTA C	SNA	2
1-17	3	M141	DE61-00835A	BUSH; 1.5 CONV,SUM24L,-,-,-,-,-	SNA	2
1-18	3	D008	DE61-01447A	HINGE; CELESTA,CR-SPCC,T4.0	SNA	2
1-19	3	D100	DE61-00836A	BUSH-TEFRON; 1.5 CONV,TEFLON-PFA	SNA	2
1-20	3	D098	DE61-01479B	SPRING ETC-HINGE(R); SWP10,CD 2.7,K80,WHT	SNA	1
1-21	4	Q107	DE61-01453A	BRACKET-DOOR HINGE(R); CELESTA,CR-SCP1,T2	SNA	1
1-22	3	D099	DE61-01478B	SPRING ETC-HINGE(L); SWP10,CD 2.7,K80,WHT	SNA	1
1-23	4	D157	DE61-01458A	BRACKET-KEY DOOR(L); CELESTA,CR-SCP1,T1.0	SNA	1
1-24	3	D014	DE64-02324A	KEY-DOOR (L); TRIO PLUS,ZN-DIECASTING,Zn	SNA	1
1-25	4	D158	DE61-01459A	BRACKET-KEY DOOR(R); CELESTA,CR-SCP1,T1.0	SNA	1
1-26	3	D198	DE64-02323A	KEY-DOOR (R); TRIO PLUS,ZN-DIECASTING,Zn	SNA	1
1-27	2	M011	DE61-01502A	BRACKET-EARTH; MC324GAKCBB,STAINLESS-STS4	SNA	1
1-28	4	D003	DE64-02673A	SCREEN-DOOR(A); CELESTA,GLASS,T2.0	SNA	1
1-29	4	D210	DE64-02651A	DOOR-E; CELESTA,GI-SGCC,T0.5	SNA	1
1-30	2	M370	DE63-00742A	GASKET DOOR; CELESTA,SILICONE RUBBER,HR40	SNA	1
1-31	2	D006	DE64-02654A	DOOR-C; CELESTA,PBT,T2.0,522.3,342.9,HB,K	SNA	1
1-32	3	D017	DE60-60008A	PIN-HINGE; MSWR-SWRM,MSWR10	SNA	2
1-34	3	D058	DE61-00151C	SPRING ETC-SPRING-KEY; MT1044WB/FQ159,SWP	SNA	2
1-35	2		DE96-00988A	ASSY WIRE HARNESS-PCB; MC324GAKCBB,220V/6	SA	1
1-36	2	D037	DE94-02955G	ASSY DOOR A; MC324GAKCBB/EF,BLACK,EU MODE	SA	1