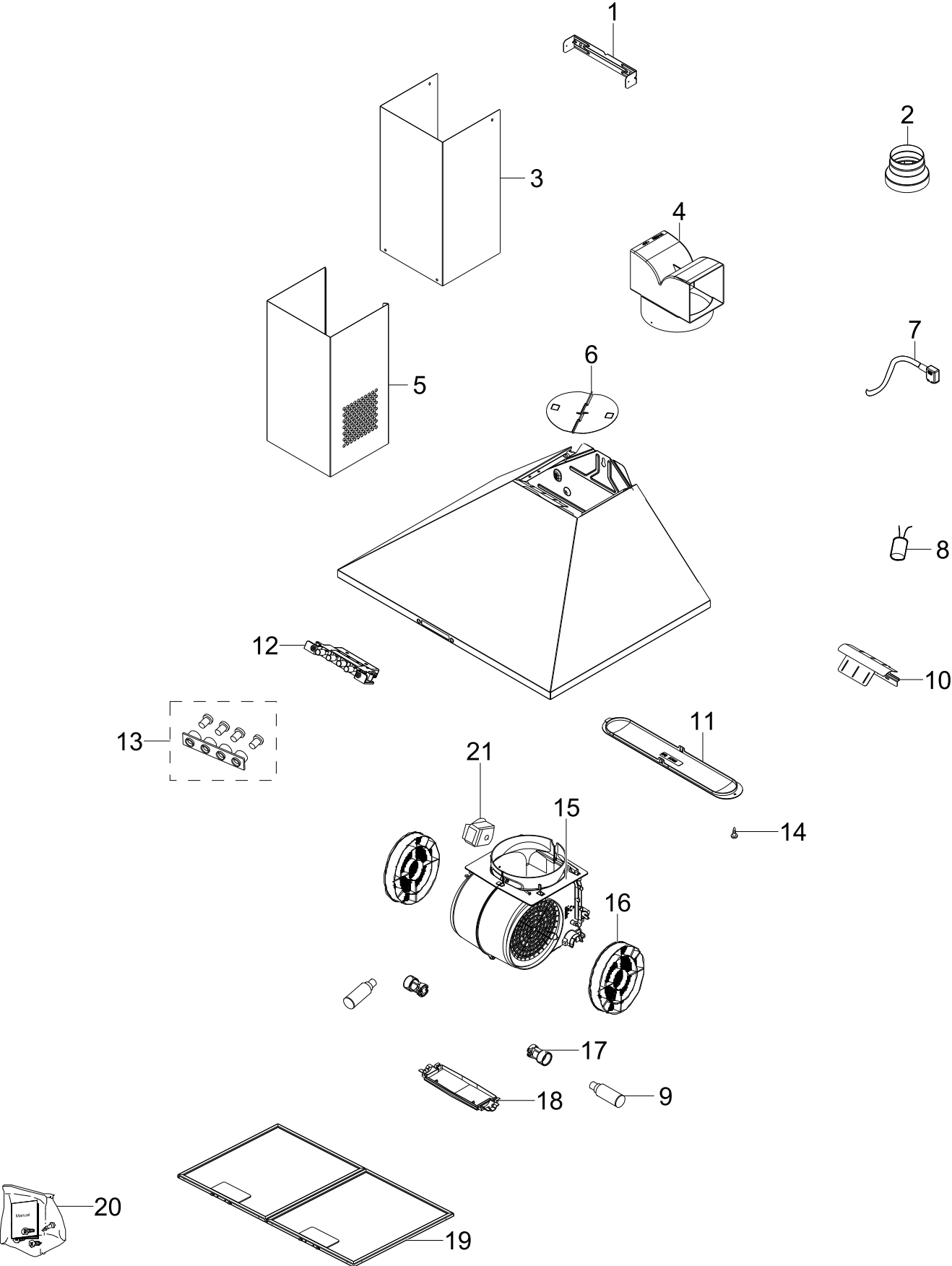


1. NK24M3050PS/EF

Exploded View



Parts List

No.	Lvl.	Loc.	Material Code	Description & Specification	SNA	Qty.
1	1		DG81-02331A	A/S-CHIMNEY FASTENING BRACKET; NK36M3050P	SA	1
2	1		DG81-02262A	A/S-MULTI CONNECTION FLANGE; NK36M7070VS,	SA	1
3	1		DG81-02327A	A/S-UPPER CHIMNEY SECTION; NK36M3050PS,TU	SA	1
4	1		DG81-02330A	A/S-T CONNECTION; NK36M3050PS,RR04AA,RACC	SA	1
5	1		DG81-02326A	A/S-BOTTOM CHIMNEY SECTION; NK36M3050PS,T	SA	1
6	1		DG81-02318A	A/S-VALVE; NK36M3050PS,ASS02038,A.VALVOLA	SA	1
7	1		DG81-02325A	A/S-CBF-POWER CORD; NK36M3050PS,C1009A,CA	SA	1
8	1		DG81-02304A	A/S-CAPACITOR; NK36M5070FS,2029Y/R,CON.5M	SA	1
9	1		DG81-02320A	A/S-LAMP; NK36M3050PS,LMP0022065,LAMP.ALO	SA	2
10	1		DG81-02328A	A/S-REFLECTOR; NK36M3050PS,RF01SA,RIFLETT	SA	2
11	1		DG81-02322A	A/S-LAMP COVER; NK36M3050PS,PLA0023127A,P	SA	1
12	1		DG81-02336A	A/S-CONTROL PANEL; NK36M3050PS,BE1BWB,PUL	SA	1
13	1		DG81-02335A	A/S-ASSY BUTTON CONTROL; NK36M3050PS,CRU0	SA	1
14	1		DG81-02334A	A/S-CLIPS; NK36M3050PS,3056C,CLIP.FASTEX.	SA	1
15	1		DG81-02332A	A/S-RIGHT HALF CONVEYOR; NK36M3050PS,CN05	SA	1
16	1		DG81-02329A	A/S-CARBON FILTER; NK36M3050PS,F00479/1S,	SA	1
17	1		DG81-02321A	A/S-LAMPHOLDER; NK36M3050PS,2005E/R,PRTLA	SA	2
18	1		DG81-02337A	A/S-COVER; NK36M3050PS,CP1DPA,COP.SCAT.CO	SA	1
19	1		DG81-02269A	A/S-GREASE FILTER; NK36M7070VS,GRI0009219	SA	2
20	1		DG81-02338A	A/S-DOCUMENTATION; NK36M3050PS,DOC0130070	SA	1
21	1		DG81-02319A	A/S-ASSY BLOWER; NK36M3050PS,CNV0130612,M	SA	1