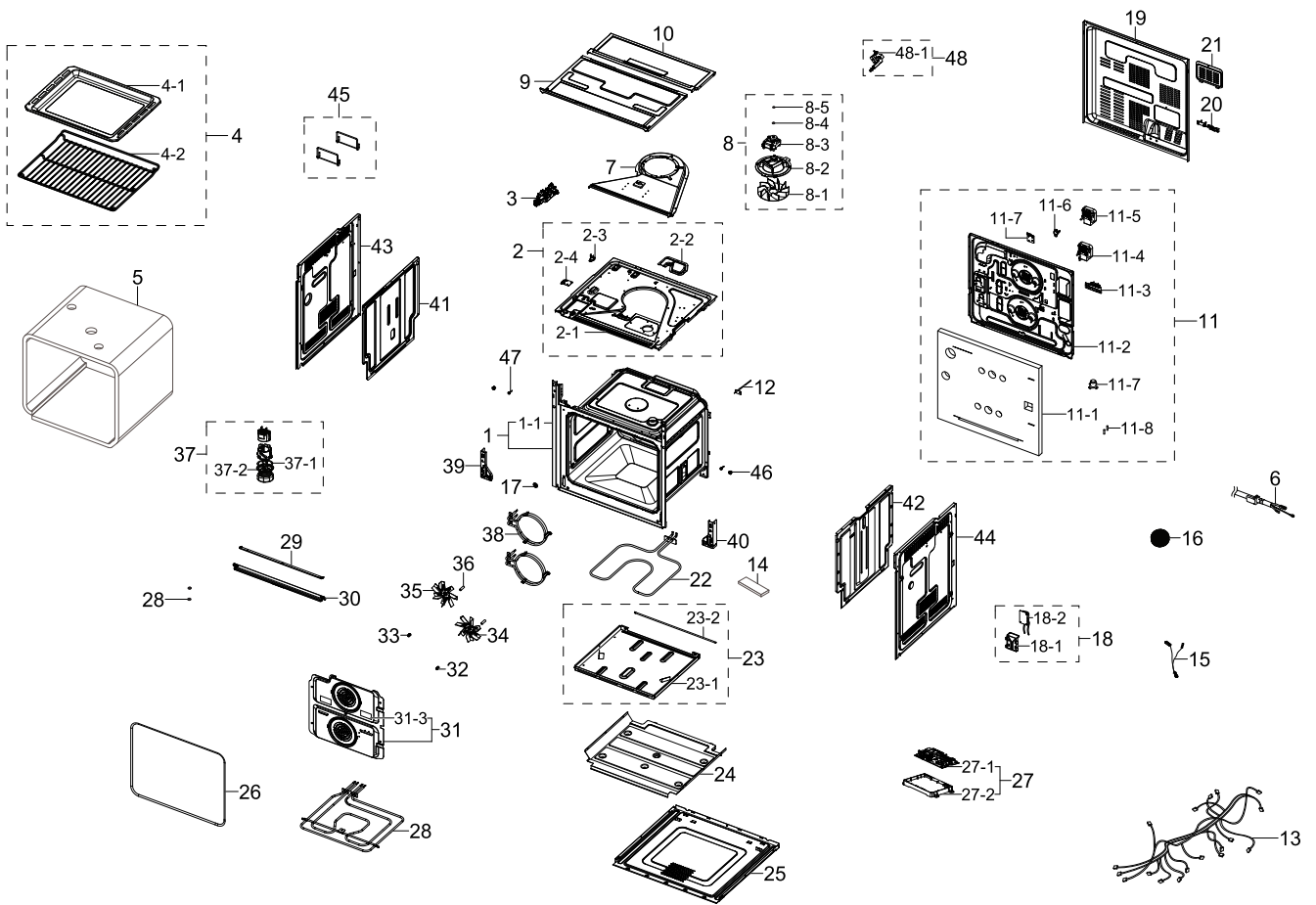


1. Main

Exploded View



Parts List

No.	Lvl.	Loc.	Material Code	Description & Specification	SNA	Qty.
1	1	Y103	DG94-00003R	ASSY CAVITY COATING; BT620FQST/XEF,2.2,PY	SNA	1
1-1	2		DG94-00003Q	ASSY CAVITY WELDING; BT620FQST/XEF,2.2,PY	SNA	1
2	1	P214	DG96-00037F	ASSY BRACKET UPPER; BT620FQPST,-,-,NO PIP	SA	1
2-1	2	M003	DG61-00191B	BRACKET-UPPER; BF62CBST(SINGLE),GI-SGCD,T	SNA	1
2-2	2	M013	DG61-00192A	BRACKET-AIR-GUIDE; BT62FQBPST,ALCOT,T0.6,	SA	1
2-3	2	M032	DG47-00010B	THERMOSTAT; AC125/250V,15A,120,0,Rated cu	SA	3
2-4	2	H111	DE61-50490A	BRACKET-TCO; EGI-SECC,T0.6	SA	3
3	2	D120	DG97-00100A	ASSY DOOR LOCK; -,BT62FQBPST,-	SA	1
4	1		DG98-01005K	ASSY PACKING ACCESSORY; BF3C3T088/XEC,new	SNA	1

Exploded Views and Parts List

No.	Lvl.	Loc.	Material Code	Description & Specification	SNA	Qty.
4-1	2	T111	DG63-00011A	TRAY-BAKING B; CR-SPP,T0.6,ENAMEL COATING	SA	1
4-2	2		DG75-01055A	RACK WIRE; MSWR-SWRM,461,337.89,NEO STS S	SA	1
5	2	M333	DG62-00015A	ADIABATIC-MAIN; BT62FQBPST,CERAMIC WOOL,T	SNA	1
6	2	M015	DG96-00084A	CBF-POWER CORD; AT,EUROPE/KOREA,,,,,Black	SA	1
7	2	M392	DG63-00086B	COVER-FAN-COOLING; BT62FQBPST,GI-SGCC,T0.	SA	1
8	1	M021	DG94-01410A	ASSY COVER MOTOR; NV75K5571RS,VE NV9900J,	SA	1
8-1	2		DG31-00001F	MOTOR AC FAN; SMF-E610POL,2,230V,50Hz,35W	SA	1
8-2	2	M260	DG61-00056A	SUPPORT-MOTOR COOLING; BT63BSST,PA66,BLK,	SA	1
8-3	2	M261	DG67-00017A	FAN-COOLING; BT62FQBPST,PA66,NYLON#66 GF1	SA	1
8-4	2	H024	DE60-30016A	NUT FLANGE; MSWR-SWRM,MSWR10	SA	5
8-5	2	H009	DE60-40026B	WASHER PLAIN; ZNC,OD12,T1.0,SBC1	SA	1
9	2	H094	DG94-00361A	ASSY CASE-UPPER; BF641FST,GI,T0.5	SA	1
10	2	H052	DG61-00053A	CASE-UPPER B; BT63BSST,GI-SGCC,T0.5,-,BI	SA	1
11	1		DG94-01679A	ASSY COVER ADIABATIC-REAR; NV66M3571BS,TW	SNA	1
11-1	2	P287	DG62-00014A	ADIABATIC-REAR; BT62FQBPST,CERAMIC WOOL,T	SNA	1
11-2	2	P258	DG63-00202A	COVER-ADIABATIC REAR; BQ3N3T020,GI-SGCC,T	SNA	1
11-3	2	G005	DG65-00002A	TERMINAL BLOCK; BT63BSST,PA66,6 sqmm,BROW	SA	1
11-4	2	H001	DG31-00019A	MOTOR AC CONVECTION; LOBSTAR,SMC-EBQV1B,2	SA	1
11-5	2	H001	DG31-00018A	MOTOR AC CONVECTION; 24" OVEN,SMC-EBQV1A,	SA	1
11-6	2	M032	DG47-00010B	THERMOSTAT; AC125/250V,15A,120,0,Rated cu	SA	3
11-7	2		DG60-00018A	FLANGE COVER REAR; NEO lite,ALCOAT-SA1C,T	SNA	2
11-8	2	M413	DG62-00021B	TUBE-GLASS; BQ3N3T,GLASS FIBER,4.1,40MM,3	SNA	2
12	2	M300	DG32-00004B	SENSOR TEMP; 1Kohm	SA	2
13	2		DG96-00550A	ASSY WIRE HARNESS-MAIN; NV5000M Twin Pyro	SA	1
14	2	M389	DG62-00017A	ADIABATIC HEATER; BT62FQBPST,CERAMIC WOOL	SNA	1
15	2	W006	DG96-00197A	ASSY WIRE HARNESS-E; BQ3N3T013,230/240V;	SA	1

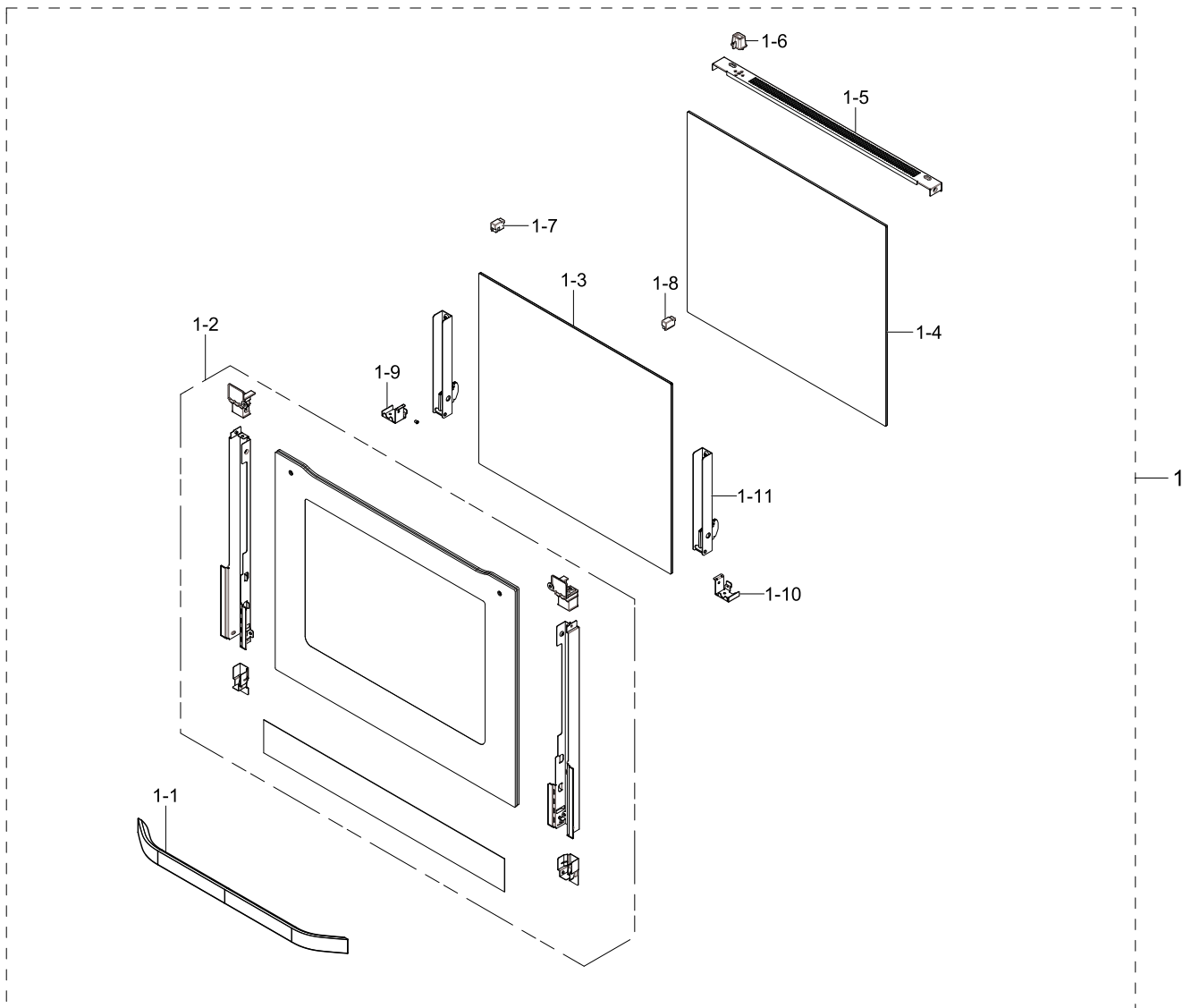
No.	Lvl.	Loc.	Material Code	Description & Specification	SNA	Qty.
16	2	P283	DG63-00096A	FILTER-CERAMIC; BT62FQBPST,CERAMIC	SNA	1
17	2	M262	6031-001545	WASHER-SPRING; STS430,ID5,OD11.8,T0.3,Dar	SNA	4
18	2		DG94-00385C	ASSY HOLDER NOISE FILTER; STEAM _ JUPITER	SA	1
18-1	3	M264	DG61-00444C	HOLDER NOISE FILTER; BI-SINGLE,PBT+GF,BLA	SA	1
18-2	3	M017	DG96-00021A	ASSY NOISE FILTER; SN-BF63,250V/18A,-,0.6	SA	1
19	2	P186	DG63-00009B	COVER BACK; BT62FQBPST,GI-SGCC,T0.5,W546.	SA	1
20	2		DG61-00405A	HOLDER-CABLE; DX6292K,PA66,WHT	SA	1
21	2	H050	DG61-00031A	BRACKET-AS COVER; BT63BSST,GI-SGCC,T0.5,W	SA	1
22	2	M224	DG47-00007A	HEATER SHEATH-BOTTOM; AC230V,1100W,SUS309	SA	1
23	2	P229	DG97-00105B	ASSY COVER-BOTTOM HEATER; BT62FQBPST,-,-,	SNA	1
23-1	3	M241	DG63-00007A	COVER-BOTTOM HEATER; BT63BSST,GI-SGCC,T0.	SNA	1
23-2	3	U029	DG66-00014A	WIRE-COVER BOTTOM HEATER; BT62FQBPST,STAI	SNA	1
24	2	P280	DG63-00083A	COVER-ADIABATIC LOWER; BT62FQBPST,GI-SGCC	SA	1
25	2	U075	DG61-00051A	BASE BOTTOM; BT63BSST,GI-SGCD,T0.5,W555,L	SNA	1
26	2	M370	DG63-00095A	GASKET DOOR; BT62FQBPST,GLASS FIBER,FIBER	SA	1
27	2	C164	DG94-01680A	ASSY HOLDER PCB; NV66M3571BS,TWIN PYRO	SNA	1
27-1	3		DE94-03921A	ASSY PCB EEPROM; EEP_01 (EU, PT),DE92-037	SA	1
27-2	3		DG61-01228A	HOLDER PCB-MAIN; NV5000M,PA66,BLACK,V0,GF	SNA	1
28	2	H071	DG47-00047D	HEATER SHEATH-GRILL; AC230V,BKT Type(Fixe	SA	1
29	2		DG61-00731A	BRACKET-COOLING GUIDE; BQ1Q4T090/XEF,GA-S	SA	1
30	2		DG64-00413A	DOOR-GUTTER; NEO PJT,GA-SGCD,T0.5,EDP COA	SA	1
31	2	H005	DG94-00260D	ASSY COVER CASING; BTS14D4T,SPP,T0.8,Enam	SA	1
31-3	3		DG61-00371A	BRACKET-CASING GUIDE; BF691CST,CR-SPP,T0.	SA	1
32	2	X107	6021-001208	NUT-HEXAGON CAP; M4,NI PLT,SWRCH10A	SA	1
33	2	X107	6021-001211	NUT-HEXAGON CAP; M4,NI PLT,SWRCH10A,LEFT	SA	1

Exploded Views and Parts List

No.	Lvl.	Loc.	Material Code	Description & Specification	SNA	Qty.
34	2		DG67-00011C	FAN CONVECTION; 24"OVEN,ALCOAT-SA1C,Pi 12	SA	1
35	2		DG67-00001C	FAN CONVECTION; 24"OVEN,ALCOAT-SA1C,Pi 12	SA	1
36	2	H049	DG60-00001A	SPACER-FAN CONVECTION; BT63BSST,STKM11A,L	SA	2
37	2	M254	DG47-00073A	ASSY LAMP-HALOGEN; BT62FQBPST,613102,230V	SA	1
37-1	3	M250	DG63-00098A	SHEET-RING BULB; BT62FQBPST,STS304,T0.5,W	SA	1
37-2	3	M265	DG63-00029A	COVER-RING BULB; BT63BSST,STS304,T0.5	SA	1
38	2	H048	DG47-00009A	HEATER SHEATH-CONVECTION; AC230V,1200W,SU	SA	2
39	2	M294	DG61-00255A	SUPPORT HINGE-LEFT; JM PYROLYTIC,GI-SGCC,	SA	1
40	2	M293	DG61-00256A	SUPPORT HINGE-RIGHT; JM PYROLYTIC,GI-SGCC	SA	1
41	2	P282	DG63-00085A	COVER-ADIABATIC-L/R; BT62FQBPST,GI-SGCC,T	SA	1
42	2	M083	DG63-00124A	COVER-ADIABATIC-R; BT62FQBPST,GI-SGCC,T0.	SNA	1
43	2		DG94-00329C	ASSY CASE-L; GF94TRT001,COOKER,HANDLE HOL	SA	1
44	2		DG94-00328C	ASSY CASE-R; GF94TRT001,COOKER,HANDLE HOL	SA	1
45	2		DG64-00470A	HANDLE GRIP; BT62FQBPST,MSWR,Ni-Cr Platin	SA	2
46	2	M242	DG63-00119A	COVER SCREW; BT65FQBPST,ABS,PYROLYTIC,HG0	SA	2
47	2	M268	DG73-00002A	RUBBER-CUSHION; BT63BSST,SI RUBBER,BI,DAR	SA	2
48	2		DG97-00014F	ASSY-PARTITION SWITCH; PYRO-MODEL,cap-sha	SA	1
48-1	3	B048	3405-001034	SWITCH-MICRO; 125/250VAC,16A,200gf,SPST-N	SA	1

1.1. Assy Door

Exploded View



Parts List

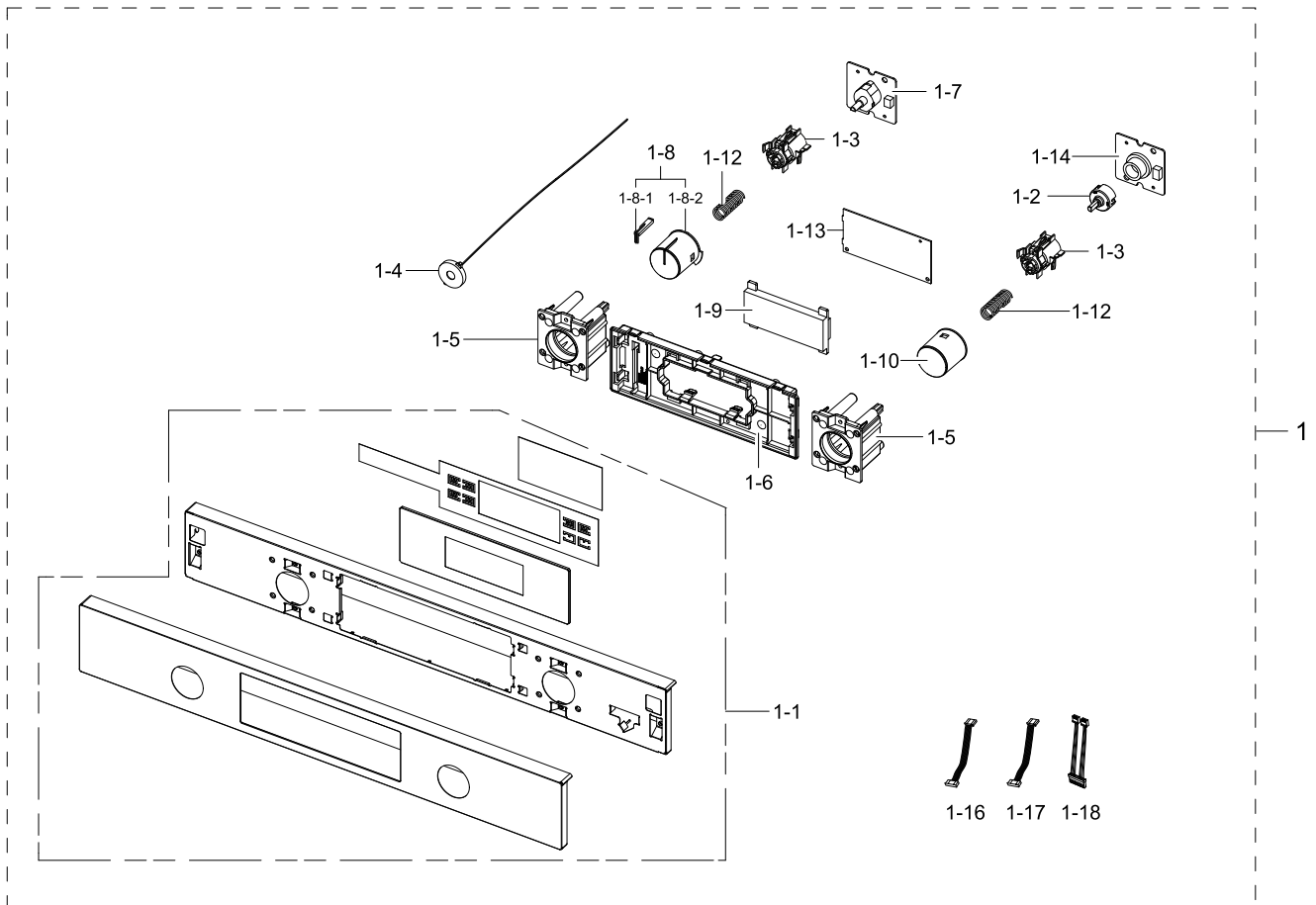
No.	Lvl.	Loc.	Material Code	Description & Specification	SNA	Qty.
1	1	D049	DG94-01371C	ASSY DOOR; NEW METRO,499 PYRO,STS,SENA,NO	SA	1
1-1	2	D019	DG64-00578A	HANDLE DOOR; NEW METRO,AI,REAL STS430,NEW	SNA	1
1-2	2	D015	DG94-00075T	ASSY DOOR SUB; NV70K3370BB,NEW METRO , 49	SNA	1
1-3	2	D109	DG64-00154B	GLASS-DOOR MIDDLE; BT62FQBPST,GLASS,T4.0,	SA	1
1-4	2	D110	DG64-00439A	GLASS-DOOR INNER; NV70F7796MS,GLASS,T4.0,	SA	1

Exploded Views and Parts List

No.	Lvl.	Loc.	Material Code	Description & Specification	SNA	Qty.
1-5	2	D113	DG67-00027C	DUCT-DOOR COVER; ATAG Pyrolytic,GA-SGCC,T	SA	1
1-6	2	D151	DG61-00254A	HOLDER DOOR LOCK; BT65FQBPST,PA66,BLACK,G	SA	1
1-7	2	P421	DG61-00351A	HOLDER-GLASS RUBBER L; BQ2Q7G069,SI,BLK,7	SA	1
1-8	2	P420	DG61-00350A	HOLDER-GLASS RUBBER R; BQ2Q7G069,SI,BLK,7	SA	1
1-9	2		DG63-00316B	COVER HINGE-L; NV70F7796MS,GA-SGCC,T1.2,W	SA	1
1-10	2		DG63-00316A	COVER HINGE-R; NV70F7796MS,GA-SGCC,T1.2,W	SA	1
1-11	2	V002	DG97-00023G	ASSY HINGE; NV6584LNESR,GI,NON PYRO PRESS	SA	2

1.2. Assy Control

Exploded View



Parts List

No.	Lvl.	Loc.	Material Code	Description & Specification	SNA	Qty.
1	1	C082	DG94-01682A	ASSY CONTROL BOX; NV66M3571BS,TWIN PYRO,	SA	1
1-1	2	C001	DG94-01683A	ASSY CONTROL PANEL; NV66M3571BS,STS,TWIN	SA	1
1-2	2		DG61-00250B	HOLDER SWITCH; 24"EVN,PA66,BLACK,GF15%,EN	SNA	1
1-3	2		DG94-01293A	ASSY POP UP; KNOB POP IN/OUT	SA	2
1-4	2	C197	DE96-00686B	ASSY BUZZER; E-OVEN,KPR-G3020-450,450mm,2	SA	1
1-5	2		DG61-00902A	HOLDER KNOB; SINGLE VAPOR,PC,T2.5,BLACK,H	SA	2
1-6	2	C226	DG61-00906A	HOLDER DISPLAY; NV75J5140BS,PC,BLACK,V2,S	SA	1
1-7	2	C319	DE96-00994A	ASSY-MODE; NV6786BNESR/WT,DAM-NEO MODE-00	SA	1
1-8	2		DG94-01411A	ASSY KNOB; NV9900 VE,SILVER SELECT	SA	1

Exploded Views and Parts List

No.	Lvl.	Loc.	Material Code	Description & Specification	SNA	Qty.
1-8-1	3		DG64-00395A	BUTTON-INDICATOR; NEO PJT,PC,GE BLACK	SNA	1
1-8-2	3	C185	DG64-00394B	KNOB-DIAL SELECT; NV6786BNESR,PC,BLACK,NE	SNA	1
1-9	2	Y040	DE07-00137B	LED DISPLAY; 7S,14D,NV9900J_Dual_Defeatur	SA	1
1-10	2		DG94-01411B	ASSY KNOB; NV9900 VE,SILVER ENCODER	SA	1
1-12	2	C188	DG61-00069A	SPRING ETC-POP UP; BT63BSST / BWT,STAINLE	SNA	2
1-13	2	C179	DE92-03751M	ASSY PCB SUB; NV9900J_SUB,NV9900J_Defeatu	SNA	1
1-14	2	C317	DE96-00995A	ASSY-DIAL; NV6786BNESR/WT,DAM-NEO DIAL-00	SA	1
1-16	2		DG96-00386A	ASSY WIRE HARNESS-DISPLAY; NV9900J,12VDC	SA	1
1-17	2		DG96-00398A	ASSY WIRE HARNESS-PBA; NV9900J,Main,Sub P	SA	1
1-18	2		DG96-00400A	ASSY WIRE HARNESS-PBA; NV9900J,Mode, Dial	SA	1