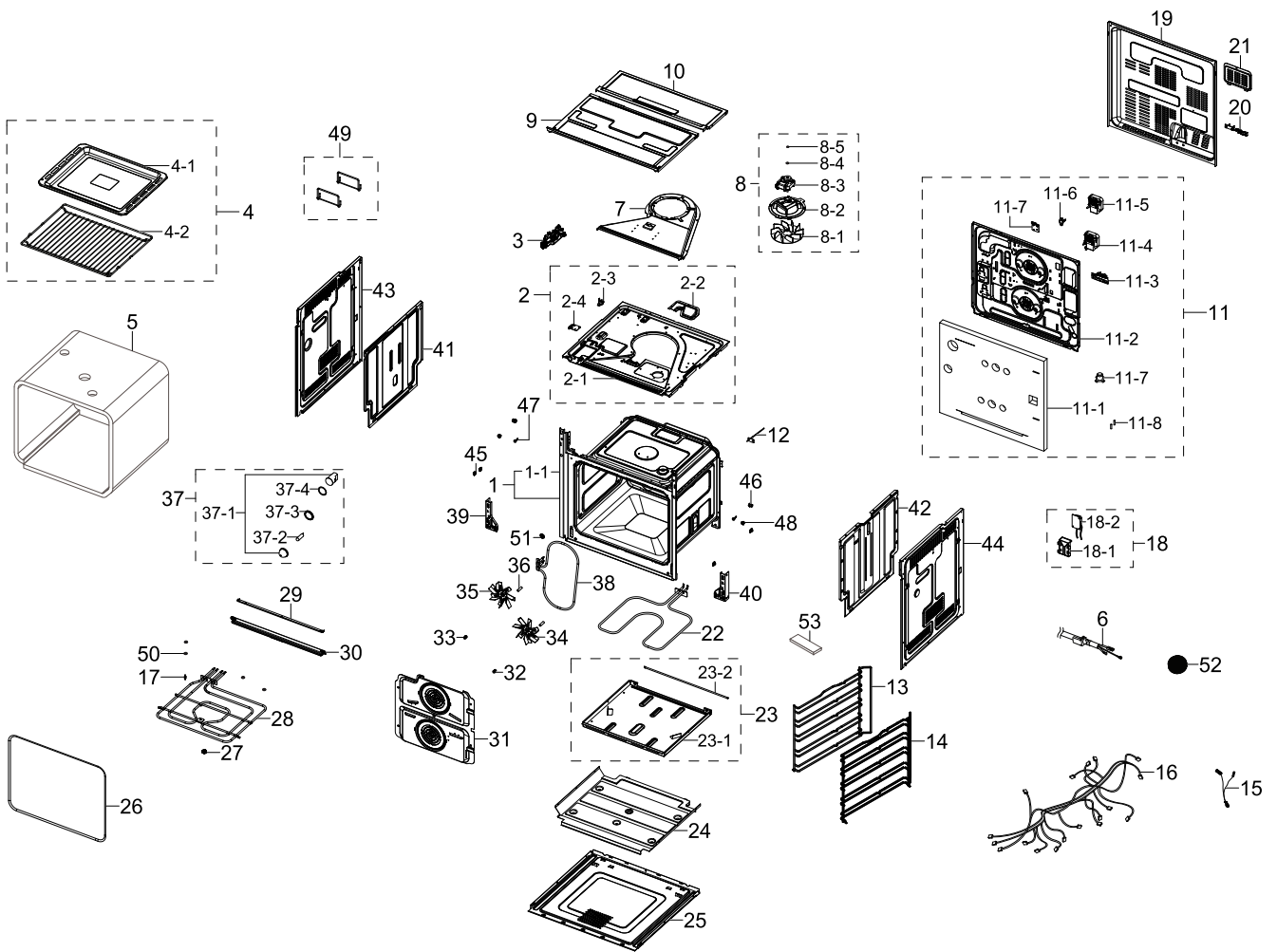


1. Main

Exploded View



Parts List

No.	Lvl.	Loc.	Material Code	Description & Specification	SNA	Qty.
1	1	P141	DG94-01361A	ASSY CAVITY-COATING; NEW METRO,NEW METRO,	SNA	1
1-1	2	Z778	DG94-01362A	ASSY CAVITY-WELDING; NEW METRO,ENAMEL,NEW	SNA	1
2	1	P214	DG96-00037F	ASSY BRACKET UPPER; BT620FQPST,-,-,NO PIP	SA	1
2-1	2	M003	DG61-00191B	BRACKET-UPPER; BF62CBST(SINGLE),GI-SGCD,T	SNA	1
2-2	2	M013	DG61-00192A	BRACKET-AIR-GUIDE; BT62FQBPST,ALCOT,T0.6,	SA	1
2-3	2	M032	DG47-00010B	THERMOSTAT; AC125/250V,15A,120,0,Rated cu	SA	1
2-4	2	H111	DE61-50490A	BRACKET-TCO; EGI-SECC,T0.6	SA	1
3	2	D120	DG97-00100A	ASSY DOOR LOCK; -,BT62FQBPST,-	SA	1

Exploded Views and Parts List

No.	Lvl.	Loc.	Material Code	Description & Specification	SNA	Qty.
4	1		DG98-01027S	ASSY PACKING ACCESSORY; NV6312AGSSR/EU,Tr	SNA	1
4-1	2	T111	DG63-00011A	TRAY-BAKING B; CR-SPP,T0.6,ENAMEL COATING	SA	1
4-2	2	T030	DG75-01026A	RACK WIRE; BQ3N3T020,MSWR-SWRM,W461,L352.	SA	1
5	2	M333	DG62-00015A	ADIABATIC-MAIN; BT62FQBPST,CERAMIC WOOL,T	SNA	1
6	2	M015	DG96-00084A	CBF-POWER CORD; AT,EUROPE/KOREA,,,,,Black	SA	1
7	2	M392	DG63-00086B	COVER-FAN-COOLING; BT62FQBPST,GI-SGCC,T0.	SA	1
8	1	M021	DG94-01410A	ASSY COVER MOTOR; NV75K5571RS,VE NV9900J,	SNA	1
8-1	2		DG31-00001F	MOTOR AC FAN; SMF-E610POL,2,230V,50Hz,35W	SNA	1
8-2	2	M260	DG61-00056A	SUPPORT-MOTOR COOLING; BT63BSST,PA66,BLK,	SA	1
8-3	2	M261	DG67-00017A	FAN-COOLING; BT62FQBPST,PA66,NYLON#66 GF1	SA	1
8-4	2	H024	DE60-30016A	NUT FLANGE; MSWR-SWRM,MSWR10	SA	3
8-5	2	H009	DE60-40026B	WASHER PLAIN; ZNC,OD12,T1.0,SBC1	SA	1
9	2	H094	DG94-00361A	ASSY CASE-UPPER; BF641FST,GI,T0.5	SA	1
10	2	H052	DG61-00053A	CASE-UPPER B; BT63BSST,GI-SGCC,T0.5,-,BI	SA	1
11	1		DG97-00098B	ASSY COVER ADIABATIC-REAR; 499 PYRO	SNA	1
11-1	2	P287	DG62-00014A	ADIABATIC-REAR; BT62FQBPST,CERAMIC WOOL,T	SNA	1
11-2	2	P258	DG63-00202A	COVER-ADIABATIC REAR; BQ3N3T020,GI-SGCC,T	SNA	1
11-3	2	G005	DG65-00002A	TERMINAL BLOCK; BT63BSST,PA66,6 sqmm,BROW	SA	1
11-4	2	H001	DG31-00019A	MOTOR AC CONVECTION; LOBSTAR,SMC-EBQV1B,2	SA	1
11-5	2	H001	DG31-00018A	MOTOR AC CONVECTION; 24" OVEN,SMC-EBQV1A,	SA	1
11-6	2	M032	DG47-00010B	THERMOSTAT; AC125/250V,15A,120,0,Rated cu	SA	1
11-7	2		DG60-00018A	FLANGE COVER REAR; NEO lite,ALCOAT-SA1C,T	SNA	2
11-8	2	M413	DG62-00021A	TUBE-GLASS; FTQ386,GLASS FIBER,4.1,60MM,3	SNA	2
12	2	M300	DG32-00004B	SENSOR TEMP; 1Kohm	SA	1
13	2	M290	DG75-01024A	RACK WIRE; SINGLE(FLAT),MSWR-SWRM,XSA	SA	1
14	2	M289	DG75-01025A	RACK WIRE; SINGLE(FLAT),MSWR-SWRM,XSA	SA	1

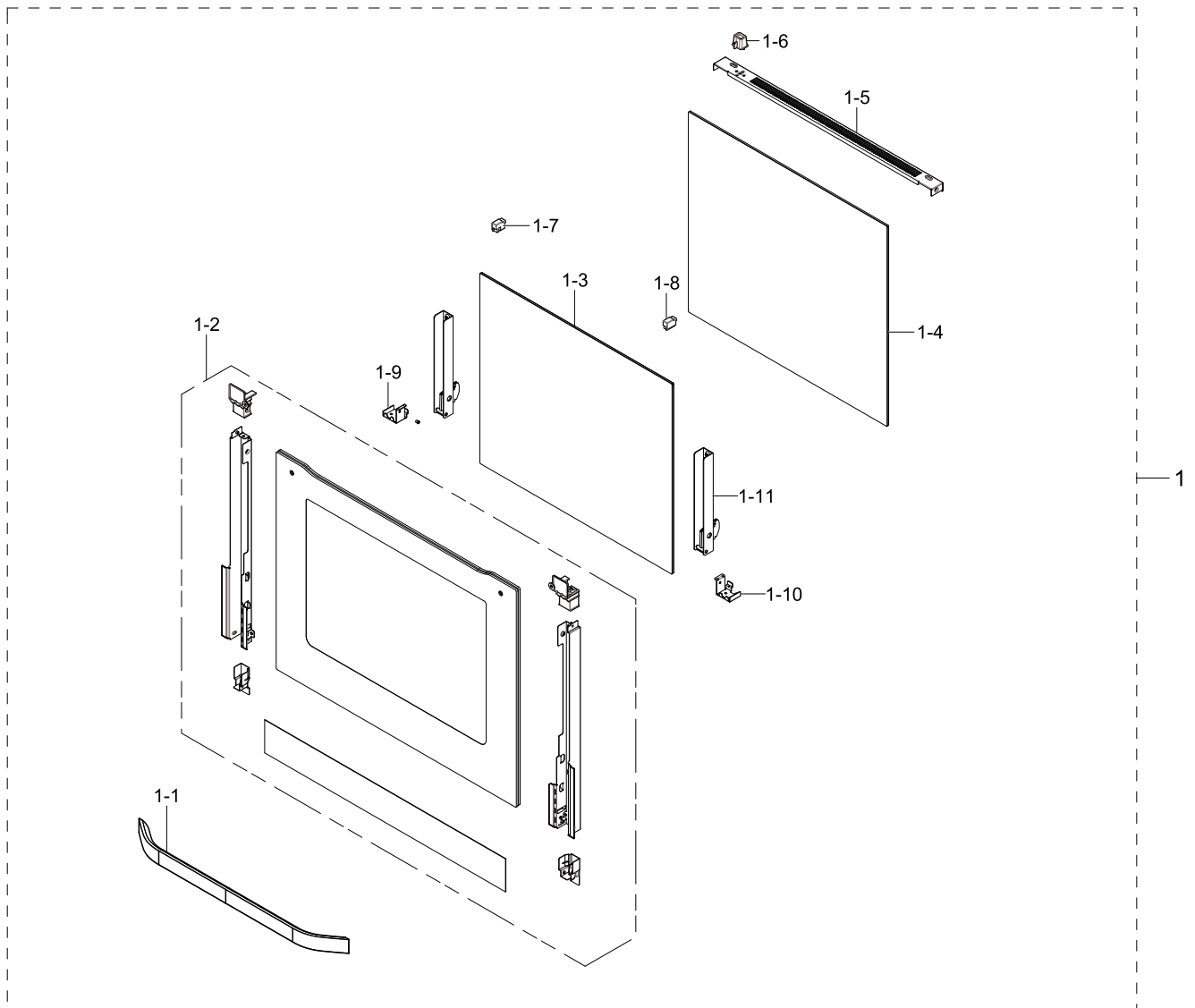
No.	Lvl.	Loc.	Material Code	Description & Specification	SNA	Qty.
15	2	W007	DG96-00198A	ASSY WIRE HARNESS-F; BQ2D7G044,230/240V	SA	1
16	2		DG96-00448A	ASSY WIRE HARNESS-MAIN; NV70K3370, Airvec	SA	1
17	2	H055	DG61-00073A	STUD-GRILL; E-OVEN(24),STS304,L23,-	SA	1
18	2		DG94-00385C	ASSY HOLDER NOISE FILTER; STEAM _ JUPITER	SA	1
18-1	3	M264	DG61-00444C	HOLDER NOISE FILTER; BI-SINGLE,PBT+GF,BLA	SA	1
18-2	3	M017	DG96-00021A	ASSY NOISE FILTER; SN-BF63,250V/18A,-,0.6	SA	1
19	2	P186	DG63-00009B	COVER BACK; BT62FQBPST,GI-SGCC,T0.5,W546.	SA	1
20	2		DG61-00405A	HOLDER-CABLE; DX6292K,PA66,WHT	SA	1
21	2	H050	DG61-00031A	BRACKET-AS COVER; BT63BSST,GI-SGCC,T0.5,W	SA	1
22	2	M224	DG47-00007A	HEATER SHEATH-BOTTOM; AC230V,1100W,SUS309	SA	1
23	2	P229	DG97-00105B	ASSY COVER-BOTTOM HEATER; BT62FQBPST,-,-,	SNA	1
23-1	3	M241	DG63-00007A	COVER-BOTTOM HEATER; BT63BSST,GI-SGCC,T0.	SNA	1
23-2	3	U029	DG66-00014A	WIRE-COVER BOTTOM HEATER; BT62FQBPST,STAI	SNA	1
24	2	P280	DG63-00083A	COVER-ADIABATIC LOWER; BT62FQBPST,GI-SGCC	SA	1
25	2	U075	DG61-00051A	BASE BOTTOM; BT63BSST,GI-SGCD,T0.5,W555,L	SNA	1
26	2	M370	DG63-00095A	GASKET DOOR; BT62FQBPST,GLASS FIBER,FIBER	SA	1
27	2	Z779	6021-001207	NUT-CIRCULAR; M5,NI PLT,SWRCH10A,MESHING	SA	1
28	2	M007	DG47-00008A	HEATER SHEATH-GRILL; AC230V,1600W/1100W,S	SC	1
29	2		DG61-00731A	BRACKET-COOLING GUIDE; BQ1Q4T090/XEF,GA-S	SA	1
30	2		DG64-00413A	DOOR-GUTTER; NEO PJT,GA-SGCD,T0.5,EDP COA	SA	1
31	2	H005	DG94-00261B	ASSY COVER CASING; NV70K3370BS,PYROLYTIC,	SA	1
32	2	X107	6021-001208	NUT-HEXAGON CAP; M4,NI PLT,SWRCH10A	SNA	1
33	2	X107	6021-001211	NUT-HEXAGON CAP; M4,NI PLT,SWRCH10A,LEFT	SNA	1
34	2		DG67-00011C	FAN CONVECTION; 24"OVEN,ALCOAT-SA1C,Pi 12	SA	1
35	2		DG67-00001C	FAN CONVECTION; 24"OVEN,ALCOAT-SA1C,Pi 12	SA	1

Exploded Views and Parts List

No.	Lvl.	Loc.	Material Code	Description & Specification	SNA	Qty.
36	2	H049	DG60-00001A	SPACER-FAN CONVECTION; BT63BSST,STKM11A,L	SA	2
37	2	M248	DG97-00011D	ASSY LAMP BULB; BQ2Q7G069,PYROLYTIC,Sunli	SA	1
37-1	3	M249	DG97-00012B	ASSY LAMP BULB-SUB; 24 OVEN,230V/40W,HALO	SA	1
37-2	3	U013	DE47-00040B	LAMP-HALOGEN; 230V,40W,320Lm,13x43,7.5mm,	SA	1
37-3	3	M265	DG63-00029A	COVER-RING BULB; BT63BSST,STAINLESS-ST30	SA	1
37-4	3	M250	DG63-00098A	SHEET-RING BULB; BT62FQBPST,STS304,T0.5,W	SA	1
38	2	H072	DG47-00011C	HEATER SHEATH-CONVECTION; AC230V,BKT + #2	SA	1
39	2	M294	DG61-00255A	SUPPORT HINGE-LEFT; JM PYROLYTIC,GI-SGCC,	SA	1
40	2	M293	DG61-00256A	SUPPORT HINGE-RIGHT; JM PYROLYTIC,GI-SGCC	SA	1
41	2	P282	DG63-00085A	COVER-ADIABATIC-L/R; BT62FQBPST,GI-SGCC,T	SA	1
42	2	M083	DG63-00124A	COVER-ADIABATIC-R; BT62FQBPST,GI-SGCC,T0.	SNA	1
43	2		DG94-00329C	ASSY CASE-L; GF94TRT001,COOKER,HANDLE HOL	SA	1
44	2		DG94-00328C	ASSY CASE-R; GF94TRT001,COOKER,HANDLE HOL	SA	1
45	2	M188	DG61-00341A	BRACKET-HOLDER RACK; FLAT ALL MODEL,STAIN	SA	4
46	2	H130	DG94-00332A	HOLDER RACK; STAINLESS-ST304	SA	2
47	2	M268	DG73-00002A	RUBBER-CUSHION; BT63BSST,SI RUBBER,BI,DAR	SA	2
48	2	M242	DG63-00119A	COVER SCREW; BT65FQBPST,ABS,PYROLYTIC,HG0	SA	2
49	2		DG64-00470A	HANDLE GRIP; BT62FQBPST,MSWR,Ni-Cr Platin	SA	2
50	2	H024	DE60-30016A	NUT FLANGE; MSWR-SWRM,MSWR10	SA	3
51	2	M262	6031-001545	WASHER-SPRING; STS430,ID5,OD11.8,T0.3,Dar	SNA	4
52	2	P283	DG63-00096A	FILTER-CERAMIC; BT62FQBPST,CERAMIC	SNA	1
53	2	M389	DG62-00017A	ADIABATIC HEATER; BT62FQBPST,CERAMIC WOOL	SNA	1

1.1. Assy Door

Exploded View



Parts List

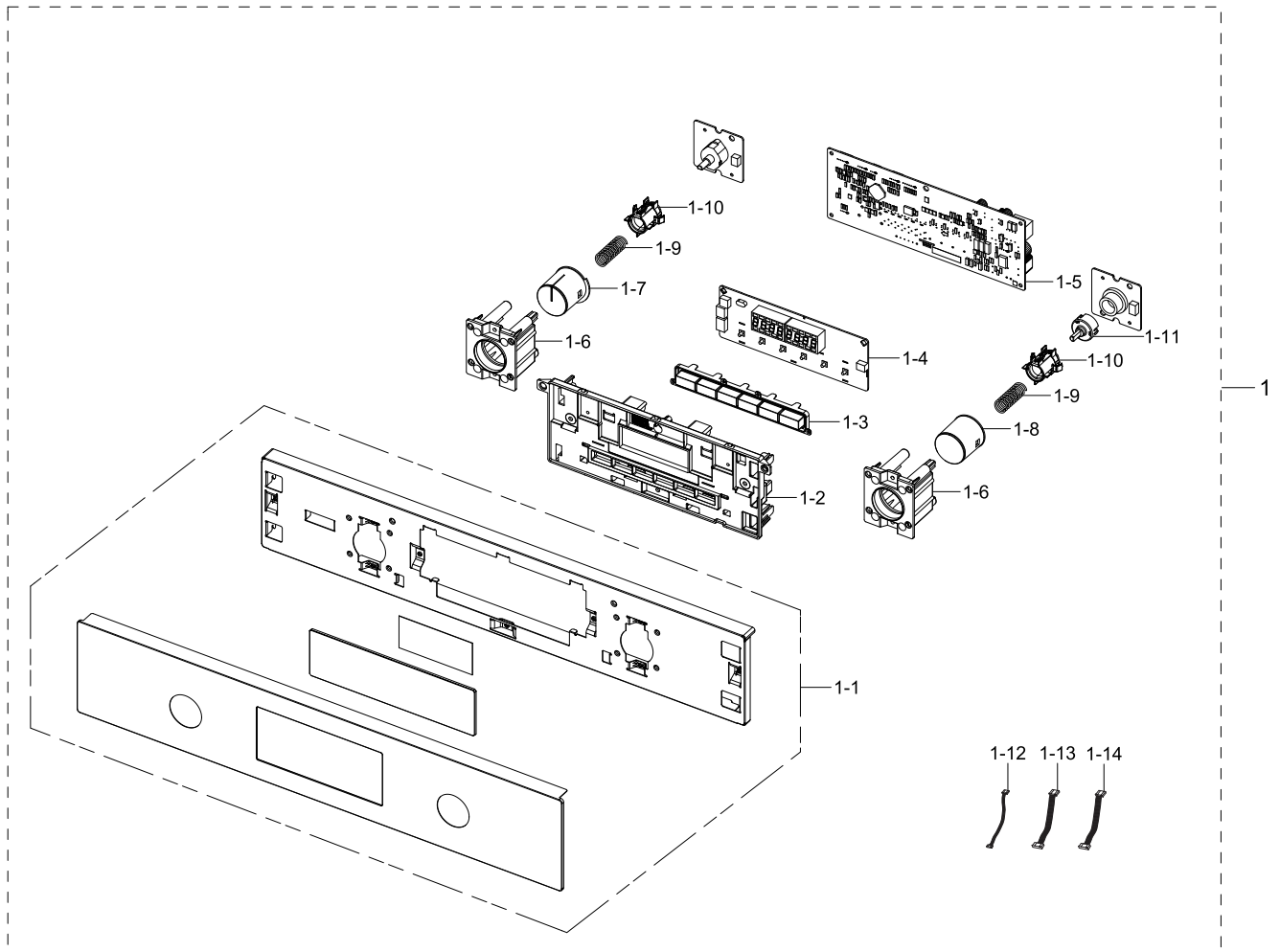
No.	Lvl.	Loc.	Material Code	Description & Specification	SNA	Qty.
1	1	D049	DG94-01371A	ASSY DOOR; NEW METRO,499 PYRO, STS	SA	1
1-1	2	D019	DG64-00578A	HANDLE DOOR; NEW METRO,AI,REAL STS430,NEW	SNA	1
1-2	2	D015	DG94-00075S	ASSY DOOR SUB; NV70K3370BS,NEW METRO,499	SA	1
1-3	2	D109	DG64-00154B	GLASS-DOOR MIDDLE; BT62FQBPST,GLASS,T4.0,	SA	1
1-4	2	D110	DG64-00439A	GLASS-DOOR INNER; NV70F7796MS,GLASS,T4.0,	SA	1
1-5	2	D113	DG67-00027C	DUCT-DOOR COVER; ATAG Pyrolytic,GA-SGCC,T	SA	1

Exploded Views and Parts List

No.	Lvl.	Loc.	Material Code	Description & Specification	SNA	Qty.
1-6	2	D151	DG61-00254A	HOLDER DOOR LOCK; BT65FQBPST,PA66,BLACK,G	SA	1
1-7	2	P421	DG61-00351A	HOLDER-GLASS RUBBER L; BQ2Q7G069,SI,BLK,7	SA	1
1-8	2	P420	DG61-00350A	HOLDER-GLASS RUBBER R; BQ2Q7G069,SI,BLK,7	SA	1
1-9	2		DG63-00316B	COVER HINGE-L; NV70F7796MS,GA-SGCC,T1.2,W	SA	1
1-10	2		DG63-00316A	COVER HINGE-R; NV70F7796MS,GA-SGCC,T1.2,W	SA	1
1-11	2	V002	DG97-00023G	ASSY HINGE; NV6584LNESR,GI,NON PYRO PRESS	SA	2

1.2. Assy Control

Exploded View



Parts List

No.	Lvl.	Loc.	Material Code	Description & Specification	SNA	Qty.
1	1	C082	DG94-01364A	ASSY CONTROL BOX; NEW METRO,499 PYRO, STS	SA	1
1-1	2	C001	DG94-01375A	ASSY CONTROL PANEL; NEW METRO,NEW METRO,	SA	1
1-2	2	C226	DG61-01053A	HOLDER DISPLAY; NEW METRO,PC,BLACK,V0,6KE	SA	1
1-3	2		DG64-00573A	BUTTON SELECT; NEW METRO,PC,V0,BLACK,New	SA	1
1-4	2		DE92-03979A	ASSY MODULE; 24inch OVEN METRO_VE,NEW_MET	SA	1
1-5	2		DE94-03666A	ASSY PCB EEPROM; EEP_04,DE92-03978A,Non,N	SA	1
1-6	2		DG61-00902A	HOLDER KNOB; SINGLE VAPOR,PC,T2.5,BLACK,H	SA	2

Exploded Views and Parts List

No.	Lvl.	Loc.	Material Code	Description & Specification	SNA	Qty.
1-7	2		DG94-01411A	ASSY KNOB; NV9900 VE,SILVER SELECT	SA	1
1-8	2		DG94-01411B	ASSY KNOB; NV9900 VE,SILVER ENCODER	SA	1
1-9	2	C188	DG61-00069A	SPRING ETC-POP UP; BT63BSST / BWT,STAINLE	SNA	2
1-10	2		DG94-01293A	ASSY POP UP; KNOB POP IN/OUT	SA	2
1-11	2	C352	DG61-00250A	HOLDER-ENCODER SWITCH; JM PYROLYTIC,PA66,	SA	1
1-12	2	W004	DG96-00290A	ASSY WIRE HARNESS-C; NV6786BNESR/WT,230VA	SA	1
1-13	2	W005	DG96-00291A	ASSY WIRE HARNESS-D; NV6786BNESR/WT,230VA	SA	1
1-14	2		DG96-00453A	ASSY WIRE HARNESS-COMM; NV70K3370, SMH200	SA	1