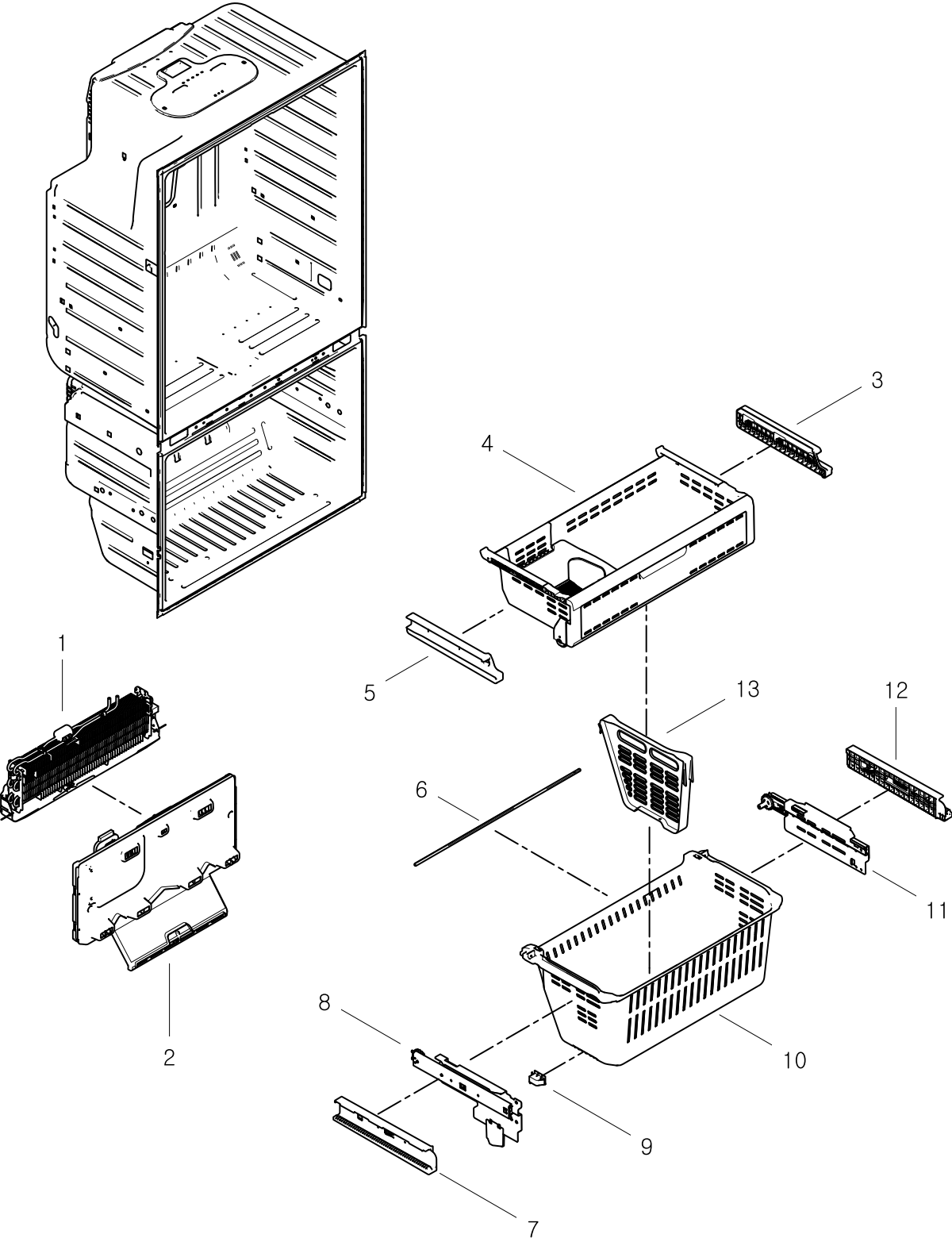


1. Freezer

Exploded View

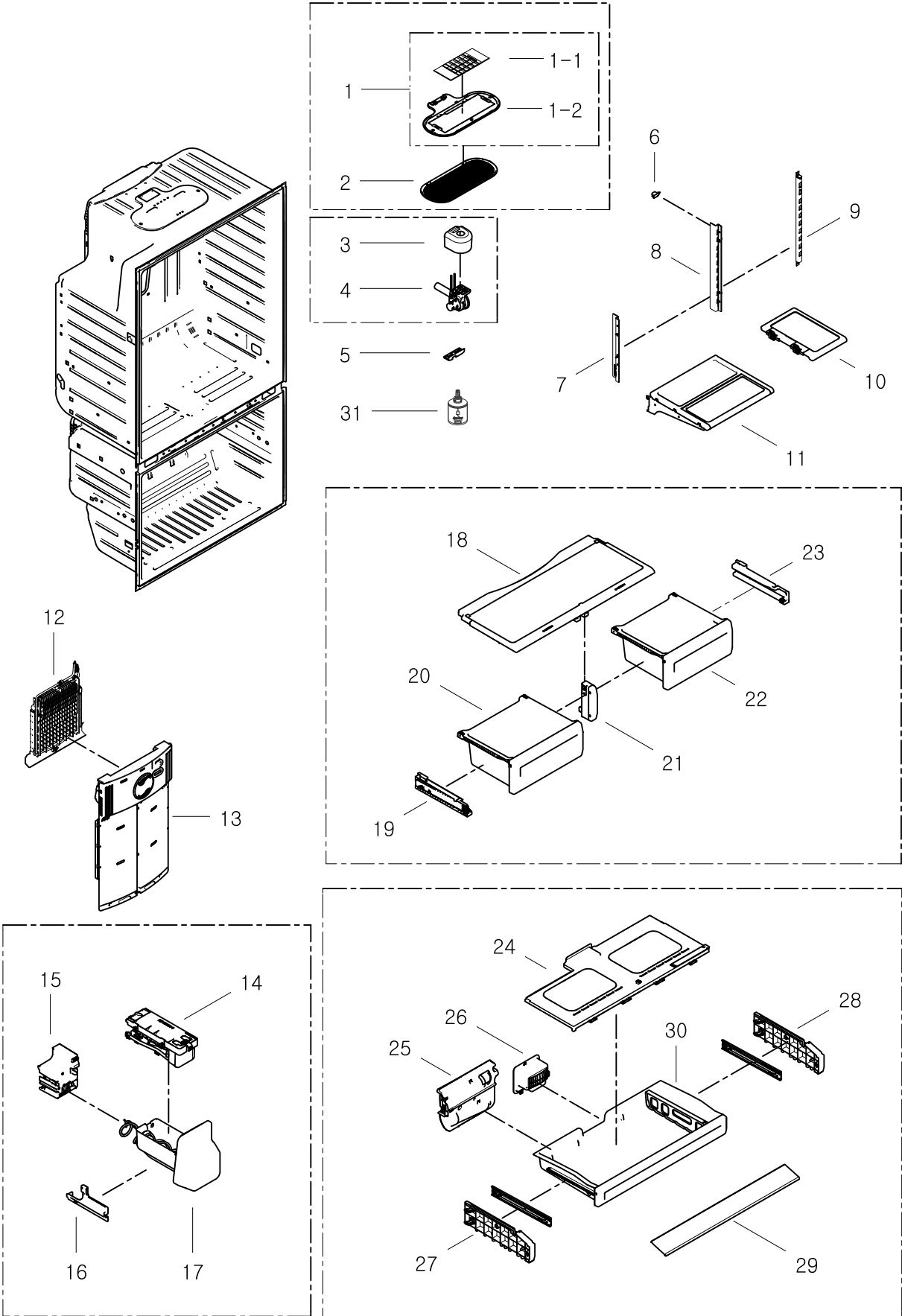


Parts List

No.	Lvl.	Loc.	Material Code	Description & Specification	SNA	Qty.
1	2	RF011	DA96-00981A	ASSY EVAP-FRE; AW2-CD,FIN TUBE,AL,230V,20	SA	1
2	2	RF005	DA97-07818D	ASSY COVER-EVAP FRE ICE; AW2-CD,NTR,230V	SA	1
3	3	RF192	DA61-05238A	RAIL-FRE UPP R; AW2 CD,ABS,-,75.4,389,COO	SA	1
4	2	RI242	DA97-07534K	ASSY TRAY-FRE UPP; AW2 CD,COOL WHITE,PRIN	SA	1
5	3		DA61-05251A	RAIL-FRE UPP L; AW2 CD,ABS,-,389.9,CO	SA	1
6	2	RI244	DA66-00437C	SHAFT-GEAR; AW2 CD,SM25C,711.1,BLACK Elec	SA	1
7	2	RI223	DA63-04942A	COVER-RAIL LOW L; AW2 CD,ABS,-,-,-,-,CO	SA	1
8	2	RI171	DA97-07536A	ASSY RAIL-SLIDE LOW L; AW2 CD-PJT,-,-,-,-	SA	1
9	2	RF041	DA34-10120E	SWITCH DOOR-F; -,slide,-,-,250V,-,0.5A,-,	SA	1
10	2	RI227	DA97-07533A	ASSY TRAY-DRAWER BOX; AW2 CD,-,-,-,COOL W	SA	1
11	2	RG144	DA97-07535A	ASSY RAIL-SLIDE LOW R; AW2 CD-PJT,-,-,-,-	SA	1
12	2	RI224	DA63-04941A	COVER-RAIL LOW R; AW2 CD,ABS,-,-,-,-,CO	SA	1
13	2	RI218	DA61-05188A	GUIDE-DRAWER BOX; AW2 CD,PP,-,-,-,COOL WH	SA	1

2. Refrigerator

Exploded View



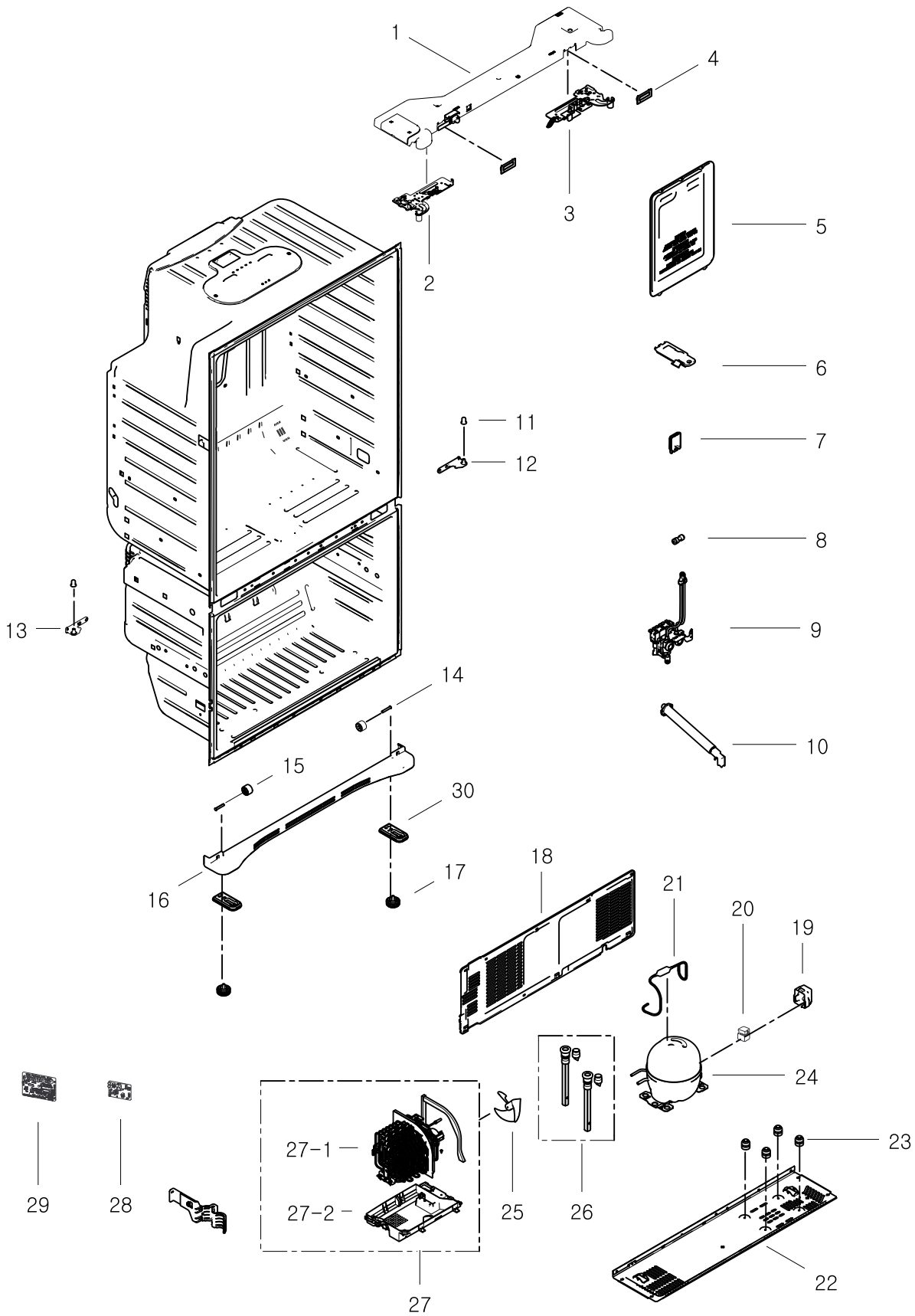
Parts List

No.	Lvl.	Loc.	Material Code	Description & Specification	SNA	Qty.
1	2	RI246	DA97-08783B	ASSY CASE LAMP-REF; AW2,LED 18EA	SNA	1
1-1	3	RR950	DA96-00398J	ASSY-LAMP LED; AW2-ND,3chip 18EA	SA	1
1-2	3	RI544	DA61-06190B	CASE LAMP-REF; AW2,HIPS,COOL WHITE(SC-027	SNA	1
2	2	RG025	DA63-05612A	COVER LAMP-REF; AW2,SAN,NTR	SA	1
3	2	RI696	DA63-04150B	COVER-FILTER; AW,HIPS,-,96.0,73.6,-,COO	SA	1
4	2	RI006	DA97-06317A	ASSY CASE-FILTER; AW,-,-,-,-	SA	1
5	2	RI211	DA61-04285A	GUIDE-FRENCH; AW2-PJT,PC-ABS,-,-,COOL-W	SA	1
6	3	RI298	DA67-01688A	CAP-ANGLE; AW-PJT,HIPS,COOL WHITE	SA	1
7	2	RI300	DA61-04330A	ANGLE-SHELF REF SIDE L; AW2(PANTRY),SECC1	SA	1
8	2	RI288	DA97-06372A	ASSY-ANGLE SHELF REF MID; AW2,-,-,-	SA	1
9	2	RI301	DA61-04329A	ANGLE-SHELF REF SIDE R; AW2(PANTRY),SECC1	SA	1
10	2	RI287	DA97-07560B	ASSY SHELF-INSERT REF FOLD; AW2 CD,DELETE	SC	1
11	2	RI286	DA97-07557B	ASSY SHELF-QUICK SPACE; AW2 CD,DELETE PRI	SC	1
12	2	RI016	DA96-00762S	ASSY EVAP REF; AW2-PJT,PIN,230V/120W	SA	1
13	2	RI008	DA97-11772B	ASSY COVER EVAP-REF; AW2-11, Pantry	SA	1
14	2	RM061	DA97-07592B	ASSY ICE MAKER; AW-PJT,230V,50Hz	SA	1
15	2	RF416	DA97-05246L	ASSY CASE-AUGER MOTOR; AW2-CD,220-240V/50	SA	1
16	2	RM038	DA63-04972A	COVER-HARNESS ICE ROOM; AW2 CD,ABS,T 2.5,	SA	1
17	2	RF304	DA97-11118A	ASSY TRAY-ICE BUCKET; AW_CD-PJT,WHT,CD	SA	1
18	2	RI449	DA97-07565B	ASSY COVER-VEG REF; AW2-CD PJT,REINF T2.0	SA	1
19	2	RR846	DA97-07564A	ASSY RAIL-VEG L; AW2-CD PJT,-,-,-,-	SA	1
20	2	RG169	DA97-07561B	ASSY CASE-VEG REF L; AW2 CD,NTR,GPPS	SA	1
21	2	RI289	DA97-06333B	ASSY PARTITION-VEG; AW2-PJT,COVER PARTITI	SA	1
22	2	RG168	DA97-07562B	ASSY CASE-VEG REF R; AW2 CD,NTR,GPPS	SA	1
23	2	RR848	DA97-07563A	ASSY RAIL-VEG R; AW2-CD PJT,-,-,-,-	SA	1
24	2	RI195	DA97-07522B	ASSY SHELF-PANTRY; AW2 CD,NO LED	SA	1
25	2	RU333	DA97-07129C	ASSY COVER T/WATER; AW2,ASSY,-,-,-,-,-	SA	1
26	2	RI292	DA97-06324C	ASSY COVER-MOTOR DAMPER; AW2-PJT,NTR,0.5W	SA	1
27	2	RI190	DA97-07526A	ASSY COVER-RAIL PANTRY L; AW2 CD,-,-,-,-	SA	1

No.	Lvl.	Loc.	Material Code	Description & Specification	SNA	Qty.
28	2	RI191	DA97-07527B	ASSY COVER-RAIL PANTRY R; AW2 CD,EUROPE	SA	1
29	2	RI192	DA97-07521A	ASSY COVER-SLIDE PANTRY; AW2 CD,-,-,-,-,-	SA	1
30	2	RI189	DA97-07520B	ASSY CASE-PANTRY; AW2 CD	SA	1
31	2	RI070	DA29-00003G	FILTER WATER-ASSY; -,ATOP,-,-,D81, H143,-	SNA	1

3. Cabinet

Exploded View



Parts List

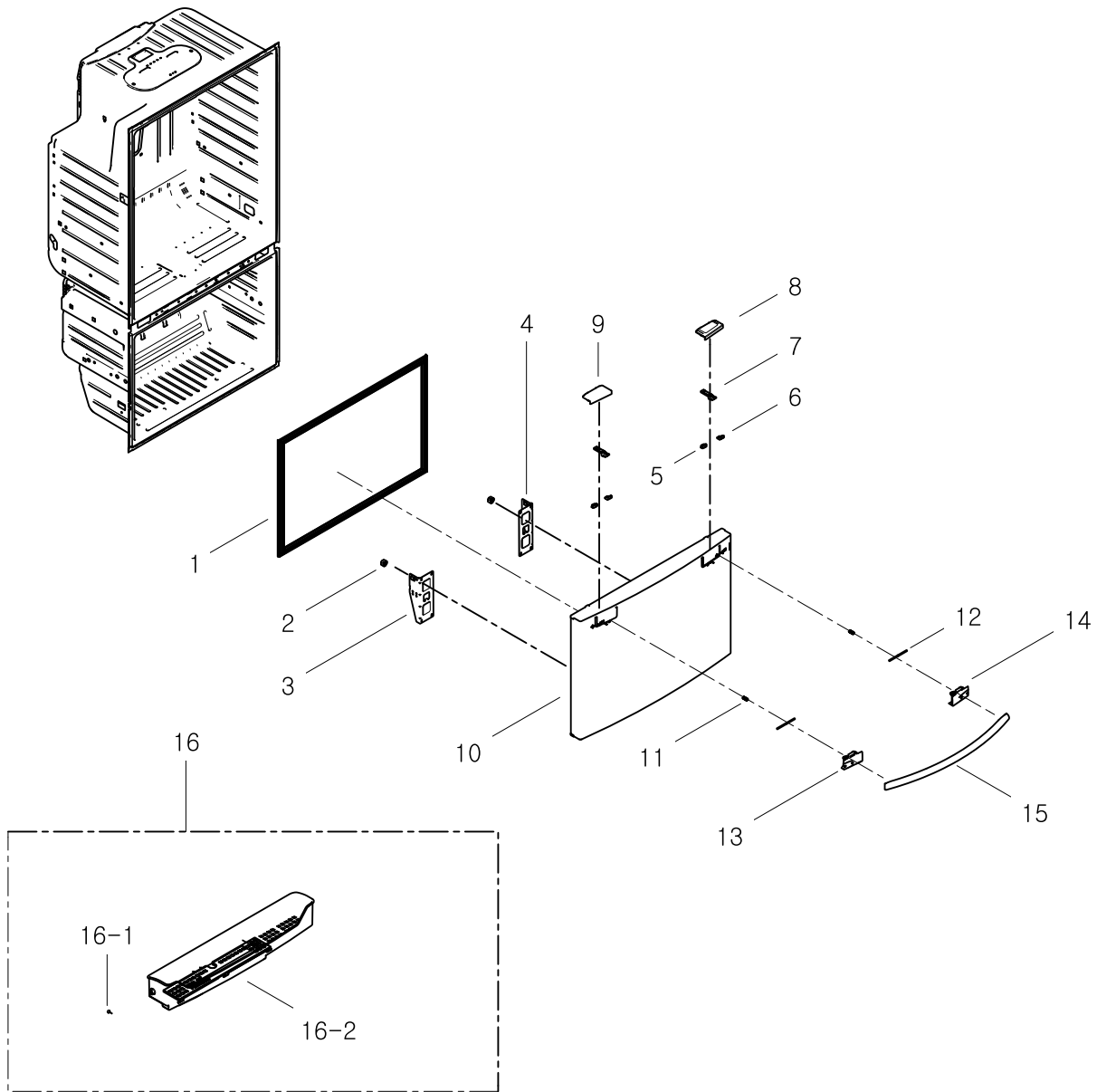
No.	Lvl.	Loc.	Material Code	Description & Specification	SNA	Qty.
1	2	RO284	DA97-07571K	ASSY TOP-TABLE; AW2,CREAMY STS, SENSOR HU	SA	1
2	2	RO041	DA97-07822F	ASSY HINGE-UPP L; AW2 CD,T2.9,CREMMY STS,	SA	1
3	2	RO042	DA97-04875G	ASSY HINGE UPP-R; AW2,-,-,-,Creamy-STS,	SA	1
4	2	RO184	DA67-02304A	CAP-TOP TABLE; AW2 CD,ABS,-,-,-,CREAMY ST	SA	2
5	2	RD067	DA97-06491A	ASSY COVER-PCB PANEL; AW2-PJT,-,-,-,-,-	SA	1
6	2	RO347	DA97-07556B	ASSY COVER-PIPE WATER; AW2 CD	SA	1
7	2	RM030	DA63-00586B	COVER-TUBE FILTER; A-TOP,PP,-,W76,L83,-,-	SA	1
8	2	RY762	DA60-00259B	FITTING-TUBE FITTING; TUBE FITTING B,PC,3	SA	1
9	2	RO089	DA97-07827G	ASSY VALVE WATER; AW2,Israel,220~240V	SA	1
10	2	RR824	DA97-05362C	ASSY PIPE-WATER; AW-PJT(BEST),CD,TIM	SA	1
11	2	RY756	DA63-06410A	GROMMET HINGE-MID; AW3,POM,T2.0,W22.6,L23	SA	2
12	2		DA97-11370B	ASSY HINGE MID-R; AW3,ZnDC	SA	1
13	2	RO536	DA61-07234A	HINGE-MID L; AW,ZN,T4.5,W127,L50,ZnDC 2	SA	1
14	3	RH012	DA61-01920A	CASTER-RIVET; (ZPC2),MSWR10,OD8.0,L58	SA	2
15	3	RO360	DA61-04702A	CASTER-FRONT; AW-PJT,PP,-,35,NTR,35,PP+TP	SA	2
16	2	RO287	DA63-04975A	COVER-LEG FRONT; AW2 CD,PP,T2.5,-,-,-,C	SA	1
17	3	RO100	DA61-04977A	FOOT-FRONT; AW2-PJT,PP+MSWR10,-,BLACK,-,-	SA	2
18	2	RH001	DA97-08447C	ASSY COVER-COMP; AW2 ND,SEAL NOT	SA	1
19	2	RH015	DA63-01866A	COVER RELAY; NORYL,T2.0,SSEC,BLACK,HOOK	SA	1
20	3	RO354	DA34-00004B	RELAY PROTECTOR O/L; 4TM308RFBYY-82,BK190	SA	1
21	2	RT094	DA97-02805J	ASSY PIPE CONNECT-SUCTION; GGH09	SA	1
22	2	RO002	DA97-07547A	ASSY CHASSIS-COMP; AW2-CD,-,-,-,-,PP+TP	SA	1
23	2	RH732	DA63-02617A	GROMMET COMP; USP05,EPDM,OD18.5,BLACK	SA	4
24	2	RH002	NC4EVA5ALM/E01	COMPRESSOR,BLDC IPM,15.32CC,220-240V,FAN; COMPRESSOR,BLDC IPM,15.32CC,220-240V,FAN	SA	1
25	2	RR028	DA31-00010D	FAN-ASS'Y; ET,ZIPEL,ABS+GLASSFIBER,UNIT,	SA	1
26	2	RZ110	DA97-04049H	ASSY CAP-DRAIN; ASSY,L224.5	SA	2
27	2	RH003	DA97-07756G	ASSY TRAY-DRAIN WATER; AW2-PJT,4.0PITCH,S	SA	1

Exploded Views and Parts List

No.	Lvl.	Loc.	Material Code	Description & Specification	SNA	Qty.
27-1	3	RW002	DA97-05093F	ASSY PIPE-SPIRAL COND; AW1-PJT, SPIRAL PIT	SA	1
27-2	3	RO361	DA63-05084B	TRAY-DRAIN WATER; AW2 TIM, PP, PP SCRAP	SA	1
28	1	RO326	DA92-00215L	ASSY PCB SUB INVERTER; 15,5V, GGH A++, ENV2	SA	1
29	2	RO007	DA41-00537A	PCB MAIN; AW2-PJT, FR-4, 2, 0, T1.6, 197*247, -	SNA	1
30	3	RC034	DA97-07147A	ASSY SUPPORT-FOOT FRONT; AW2-PJT, -, -, -, -	SA	2

4. FRE-Door

Exploded View



Parts List

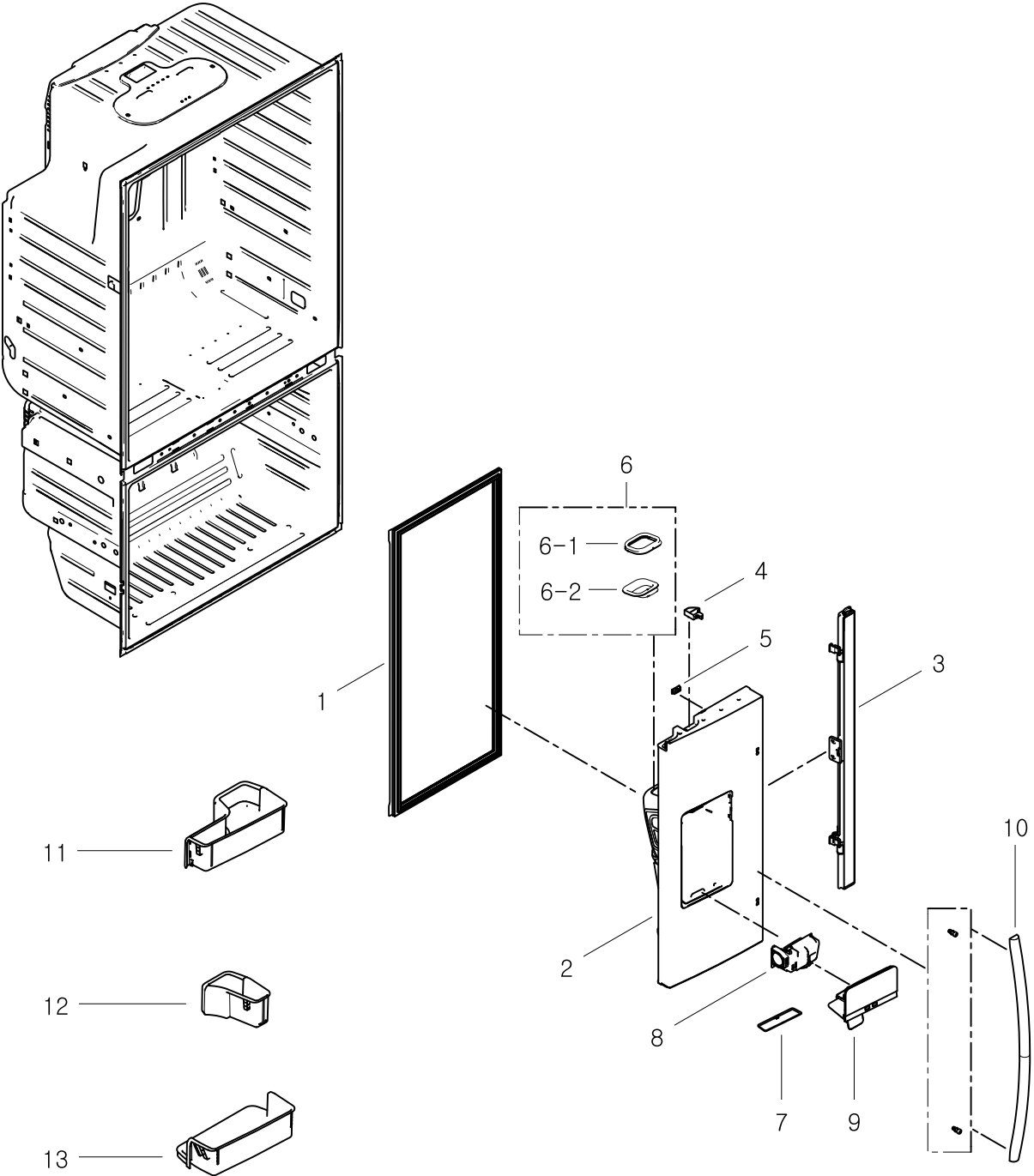
No.	Lvl.	Loc.	Material Code	Description & Specification	SNA	Qty.
1	3	RU513	DA97-05557Y	ASSY-GASKET DOOR FRE; AW-PJT,GRAY,AW NEW-	SA	1
2	3	RD086	DA61-02904B	SUPPORT-DOOR POSITION,IN; AW-PJT,HIPS,-,-	SA	2
3	3	RD092	DA61-03153B	HANGER-RAIL FRONT L; AW-PJT,SECC1,T2.0,CO	SA	1
4	3	RD093	DA61-03155B	HANGER-RAIL FRONT R; AW-PJT,SECC1,T2.0,CO	SA	1

Exploded Views and Parts List

No.	Lvl.	Loc.	Material Code	Description & Specification	SNA	Qty.
5	3	RD160	DA61-04254A	FIXER-SHAFT HANDLE L; AW-PJT,POM,-,NTR,EA	SA	2
6	3	RD159	DA61-04255A	FIXER-SHAFT HANDLE R; AW-PJT,POM,-,NTR,EA	SA	2
7	3	RD158	DA61-04258C	SLIDER-HANDLE FRE; AW-PJT,POM,-,-,CREAM	SA	2
8	3	RD155	DA63-04248B	COVER-HANDLE FRE R; AW-PJT,ABS,-,-,-,-,	SA	1
9	3	RD156	DA63-04247B	COVER-HANDLE FRE L; AW-PJT,ABS,-,-,-,-,	SA	1
10	3	RD001	DA91-02705R	ASSY DOOR FOAM FRE; AW2-11,REAL STS,STS	SA	1
11	3	RD157	DA61-04335B	SPRING ETC-EASY HANDLE; 08 AW1,2-PJT,HSWR	SA	2
12	3	RK756	DA66-00579A	SHAFT-CAP HANDLE; AW-PJT,SM45C,105,5,ZPC3	SA	2
13	3	RD152	DA67-02291A	CAP-HANDLE FRE L; AW2-PJT,PC-ABS,-,-,-,CR	SA	1
14	3	RD153	DA67-02292A	CAP-HANDLE FRE R; AW2-PJT,PC-ABS,-,-,-,CR	SA	1
15	4	RO392	DA64-03945C	HANDLE BAR-FRE; AW2-11,AL,Versailles STS(SA	1
16	3	RD016	DA97-12963A	ASSY GUARD FRE; AW2 CD,HIPS,T2.3,COOL WHI	SA	1
16-1	4	RI220	DA63-02750A	GROMMET-COVER SLIDE; ET05-PJT,RUBBER,-,-,	SA	2
16-2	4	RD354	DA63-07181A	GUARD-FRE; AW2_CD,HIPS,COOL-WHITE	SNA	1

5. REF-Door-L

Exploded View

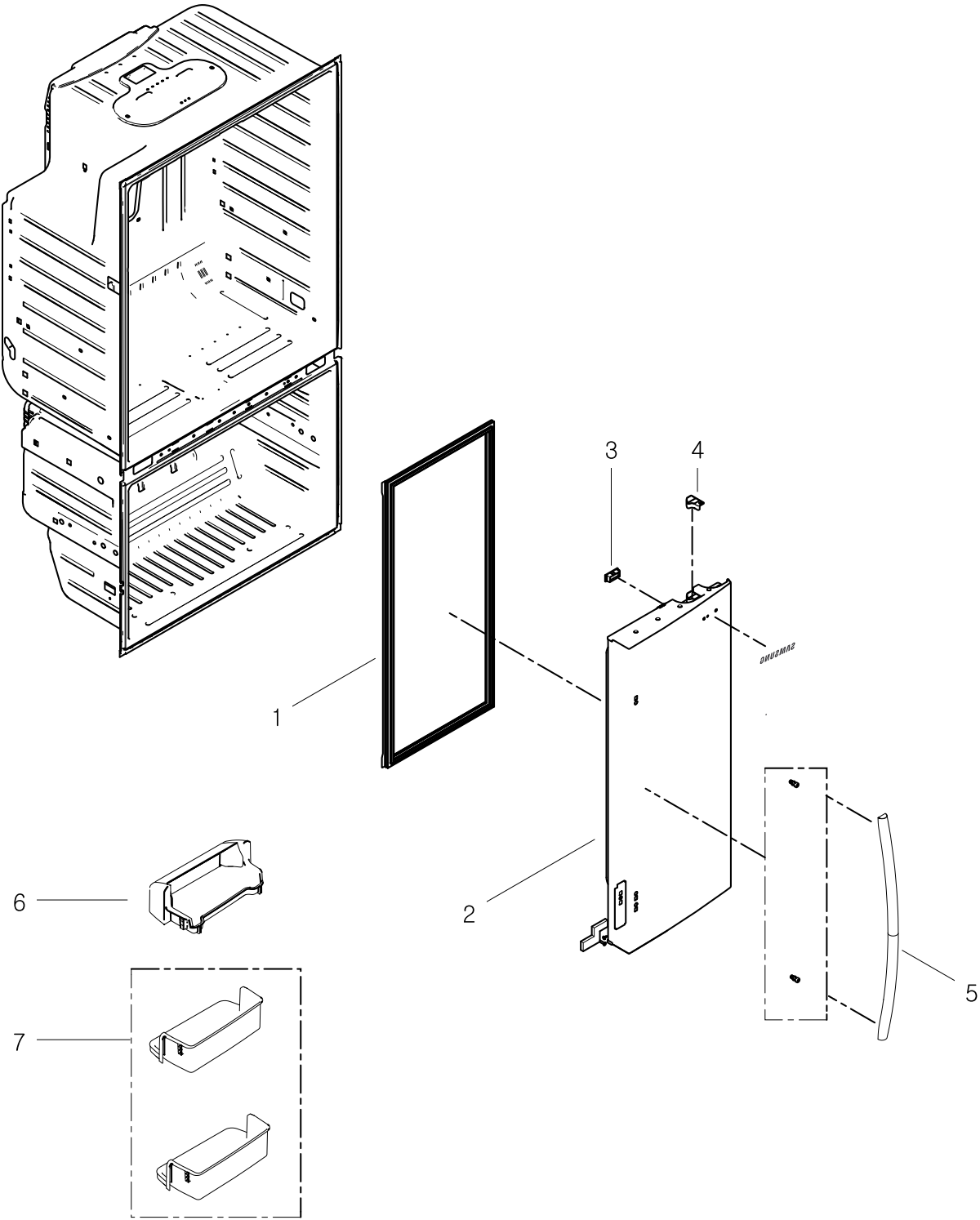


Parts List

No.	Lvl.	Loc.	Material Code	Description & Specification	SNA	Qty.
1	2	RR238	DA97-05253E	ASSY-GASKET DOOR REF; AW-PJT,GRAY,-,-	SA	1
2	2	RE100	DA91-03644Q	ASSY DOOR FOAM-REF L; RFG23U*,RS,RS,EUROP	SA	1
3	2	RE131	DA97-06417M	ASSY-FRENCH; AW2,SILVER	SA	1
4	5	RO175	DA66-00442B	CAM-AUTO CLOSE L; AW-PJT,NY6,-,-,CREAMY S	SA	1
5	5	RY484	DA61-02738F	MAGNET-ASSY; AW,ABS,5mm,7mm,18mm,CREAMY-S	SA	1
6	2	RR159	DA97-05353A	ASSY CAP-CHUTE ICE; AW-PJT(BEST),-,-,-,-	SA	1
6-1	3	RE161	DA63-03698A	GASKET-CAP CHUTE ICE; AW-PJT(BEST),SILICO	SA	1
6-2	3	RD266	DA67-01729A	CAP-CHUTE ICE; AW-PJT,ABS(HG-0760H),-,-,-	SA	1
7	2	RO489	DA63-03695B	TRAY-DISPENSER; AW-PJT,ABS(HG-0760H),-,-,-	SA	1
8	2	RE092	DA97-07361H	ASSY CASE-ICE ROUTE; AW2,CREAMY STS,MOLD	SA	1
9	2	RD026	DA97-11207L	ASSY COVER-DISPENSER; AW-CD,ABS+REAL STS,	SA	1
10	4	RO384	DA64-03756C	HANDLE BAR-REF; AW3,AL,T1.3,Versailles ST	SNA	2
11	2	RE152	DA97-07544A	ASSY GUARD-DISPENSER; AW2 CD,-,-,-,-,-	SA	1
12	2	RE367	DA97-07570A	ASSY GUARD REF-MID; AW2 CD,-,-,-,-,-	SA	1
13	2	RR191	DA97-07542A	ASSY GUARD-REF L; AW2 CD,-,-,-,-,-	SA	1

6. REF-Door-R

Exploded View



Parts List

No.	Lvl.	Loc.	Material Code	Description & Specification	SNA	Qty.
1	2	RR238	DA97-05253E	ASSY-GASKET DOOR REF; AW-PJT,GRAY,-,-	SA	1
2	2	RE101	DA91-03906A	ASSY DOOR FOAM-REF R; RFG23U*,RS,RS,EUROP	SA	1
3	5	RY484	DA61-02738F	MAGNET-ASSY; AW,ABS,5mm,7mm,18mm,CREAMY-S	SA	1
4	5	RO573	DA66-00441B	CAM-AUTO CLOSE R; AW-PJT,NY6,-,-,CREAMY S	SA	1
5	4	RO384	DA64-03756C	HANDLE BAR-REF; AW3,AL,T1.3,Versailles ST	SNA	2
6	2	RE028	DA97-07543A	ASSY GUARD-DAIRY; AW2 CD,-,-,-,-,-	SA	1
7	2	RR190	DA97-07541A	ASSY GUARD-REF R; AW2 CD,-,-,-,-,-	SA	2