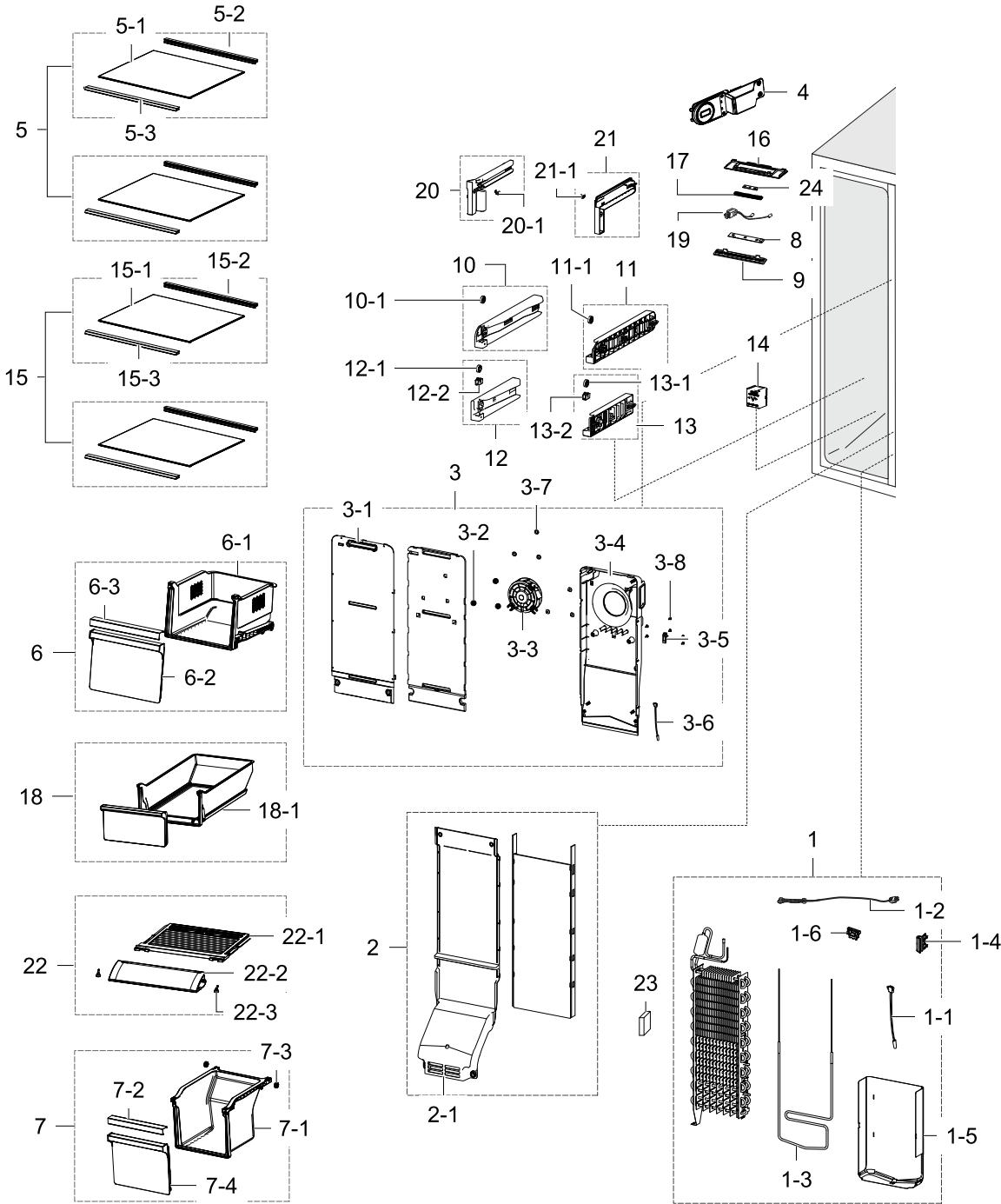


1. Freezer

Exploded View



Parts List

No.	Lvl.	Loc.	Material Code	Description & Specification	SNA	Qty.
1	2	RF011	DA96-01029A	ASSY EVAP-FRE; LATOUR,230V,300W	SA	1
1-1	3	RY453	DA32-00029P	SENSOR TEMP; DTN-C502G6X,DKST1329GW,NEXT-	SA	1
1-2	3	RY464	DA47-00301H	THERMO FUSE-ASSY; AC250V,10A,109~110S	SA	1
1-3	3		DA47-00463A	HEATER METAL SHEATH; AC230V,LATOUR, 176.3	SA	1
1-4	3	RK215	DA61-00603A	FIXER SENSOR; n-PJT,PP,T2.0,NATURAL,HB,BJ	SA	1
1-5	3	RT112	DA61-04026A	PLATE DRAIN; ES-PJT,SSEC,GI	SA	1
1-6	3	RF217	DA61-05160A	FIXER FUSE; CULLI_09,PP,T2.0,NATURAL,HB,B	SA	1
2	2	RF005	DA97-13743A	ASSY COVER EVAP-FRE; LATOUR,ASSY	SA	1
2-1	3	RF527	DA63-07495A	COVER EVAP-FRE; LATOUR,PP,HB,COOL WHITE,B	SNA	1
3	2	RF439	DA97-13745G	ASSY COVER MULTI-FRE; FSR FS/CD,LATOUR,NO	SA	1
3-1	3		DA63-07493C	COVER MULTI-FRE FRONT; FSR CD/FS,PP,HB,CO	SNA	1
3-2	3	RI086	DA63-04118A	GROMMET-MOTOR; GUGGENHEIM,SI,ID8,OD18,WHI	SA	3
3-3	3		DA31-00337A	MOTOR BLDC FAN; ARES2120RB,12V,2.6W,REF29	SA	1
3-4	3		DA63-08238B	COVER MULTI-FRE REAR; PP,GRAY,RECYCLE	SNA	1
3-5	3	RY447	DA61-06851A	FIXER-COVER DAMPER; POLARIS,POM,NATURAL,K	SA	1
3-6	3	RI270	DA32-00006R	SENSOR TEMP; DKST1329GW,PX-41C, 502AT,AW-	SA	1
3-7	3	RF494	DA60-40104J	WASHER; T3-PJT,STS304,PI 4.2,WHITE,T0.8	SA	3
3-8	3	RR008	6002-000213	SCREW-TAPPING; TH,+,1,M4,L12,ZPC(WHT),SWR	SA	40
4	2	RF222	DA97-14619B	ASSY CASE AUGER MOTOR; GGH14,230V	SA	1
5	2	RF024	DA97-14799A	ASSY SHELF-FRE UP; FSR CD	SA	2
5-1	3	RF259	DA01-01001B	GLASS-SHELF FRE UP; T3.2,GLASS	SNA	2
5-2	3		DA64-04395F	TRIM SHELF-FRE REAR; LATOUR,HIPS,S834S1,C	SNA	4
5-3	3	RF208	DA64-04407F	TRIM SHELF-FRE FRONT; LATOUR,ABS,ABS+SOFT	SNA	4
6	2		DA97-14709A	ASSY CASE BASKET-UP; FSR CD	SA	1
6-1	3		DA61-09840A	CASE BASKET-UP; FSR CD,PP,COOL WHITE,BJ75	SNA	1
6-2	3		DA63-07486A	COVER BASKET-FRONT; LATOUR,GPPS,TP BLUE,G	SNA	1
6-3	3		DA64-04565C	TRIM BASKET-FRE; LATOUR,HIPS,HI425EH,COOL	SNA	2

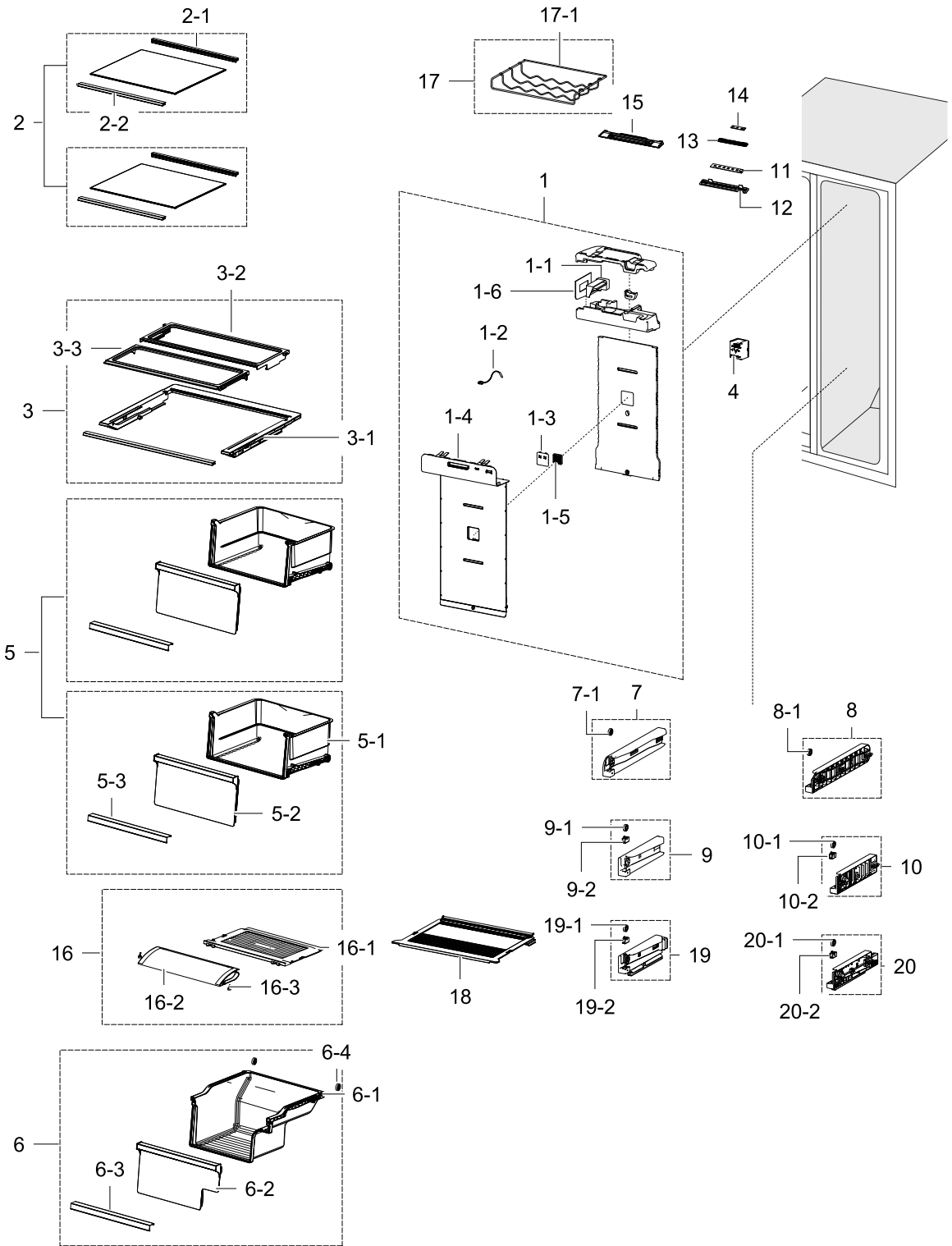
No.	Lvl.	Loc.	Material Code	Description & Specification	SNA	Qty.
7	2		DA97-14710B	ASSY CASE BASKET-LOW; FSR CD	SA	1
7-1	3		DA61-09847A	CASE BASKET-LOW; FSR CD,PP,COOL WHITE,HB,	SNA	1
7-2	3		DA64-04565C	TRIM BASKET-FRE; LATOURL,HIPS,HI425EH,COOL	SNA	2
7-3	3	RR069	DA66-10104A	ROLLER-FRE; POM,D22,NATURAL	SC	4
7-4	3		DA63-07486B	COVER BASKET-FRONT; LATOUR,GPPS,TP BLUE,2	SNA	1
8	3		DA96-01119A	ASSY LAMP LED; 3EA,FR-4,150*12,WHITE,SMAW	SA	1
9	2	RU022	DA63-05431A	COVER-LED SIDE; AW3,SAN,NTR	SA	2
10	3		DA97-14747A	ASSY RAIL-LOW LEFT; FSR	SNA	2
10-1	4	RR069	DA66-10104A	ROLLER-FRE; POM,D22,NATURAL	SC	10
11	3		DA97-14745A	ASSY RAIL-LOW RIGHT; FSR	SNA	2
11-1	4	RR069	DA66-10104A	ROLLER-FRE; POM,D22,NATURAL	SC	10
12	3		DA97-14144A	ASSY RAIL-LOW LEFT; LATOUR,PP,WITH ROLLER	SNA	2
12-1	4	RR069	DA66-10104A	ROLLER-FRE; POM,D22,NATURAL	SC	10
12-2	4	RR250	DA71-20277A	FIXER-ROLLER; SR-62,PA66,T2.0	SA	6
13	3		DA97-14143A	ASSY RAIL-LOW RIGHT; LATOUR,PP,WITH ROLLE	SNA	2
13-1	4	RR069	DA66-10104A	ROLLER-FRE; POM,D22,NATURAL	SC	10
13-2	4	RR250	DA71-20277A	FIXER-ROLLER; SR-62,PA66,T2.0	SA	6
14	2	RI222	DA63-02902A	COVER-FIXER HOUSING,V; NEXT,GALVALUM,T0.3	SA	2
15	2	RF087	DA97-14800A	ASSY SHELF-FRE LOW; FSR CD	SA	2
15-1	3	RF359	DA01-01001C	GLASS-SHELF FRE LOW; T3.2,GLASS	SNA	2
15-2	3		DA64-04395F	TRIM SHELF-FRE REAR; LATOURL,HIPS,S834S1,C	SNA	4
15-3	3	RF208	DA64-04407F	TRIM SHELF-FRE FRONT; LATOURL,ABS,ABS+SOFT	SNA	4
16	2		DA67-03879A	CAP AIR-OUT; FSR-CD,ABS,HB,HG-0760GP,COOL	SA	1
17	2	RY725	DA63-03623D	COVER-LAMP; TWIN,PC,T2.0,W35,L152,TRANSPA	SA	2
18	2		DA97-14790A	ASSY CASE BASKET-FRE UP; FSR CD	SA	1
18-1	3		DA61-09856A	CASE BASKET-FRE UP; FSR CD,GPPS,TP BLUE,G	SA	1
19	3	RR877	DA96-00424Y	ASSY WIRE HARNESS-LED; ALL,12VDC,ALL,UL,A	SNA	1
20	2		DA97-14857A	ASSY RAIL-FRE UP LEFT; FSR CD,SANCK BIN R	SA	1
20-1	3	RK245	DA63-02079A	GROMMET-RAIL; A-TOP,PA6,WIRE-BOX,A,B-TYPE	SA	2

Exploded Views and Parts List

No.	Lvl.	Loc.	Material Code	Description & Specification	SNA	Qty.
21	2		DA97-14858A	ASSY RAIL-FRE UP RIGHT; FSR CD,SANCK BIN	SA	1
21-1	3	RK245	DA63-02079A	GROMMET-RAIL; A-TOP,PA6,WIRE-BOX,A,B-TYPE	SA	2
22	2		DA97-14715A	ASSY COVER DRAWER-FRE FLIP; FSR CD	SA	1
22-1	3		DA61-09854A	FIXER COVER-FRE; FSR CD,PP,NATURAL,BJ750	SNA	1
22-2	3		DA63-07861A	COVER DRAWER-FRE FLIP; FSR CD,GPPS,TP BLU	SNA	1
22-3	3	RY448	DA63-06107A	GROMMET-DRAWER FLIP; POLARIS,SI,transpare	SA	4
23	2	RW964	DA62-01018A	SEAL CUTT-RUBBER; RR2500K,RUBBER,BLACK,T5	SA	1
24	3		DA41-00519P	ASSY LAMP LED; 3ea,CEM-1,100*20,WHITE,SMA	SA	2

2. Fridge

Exploded View



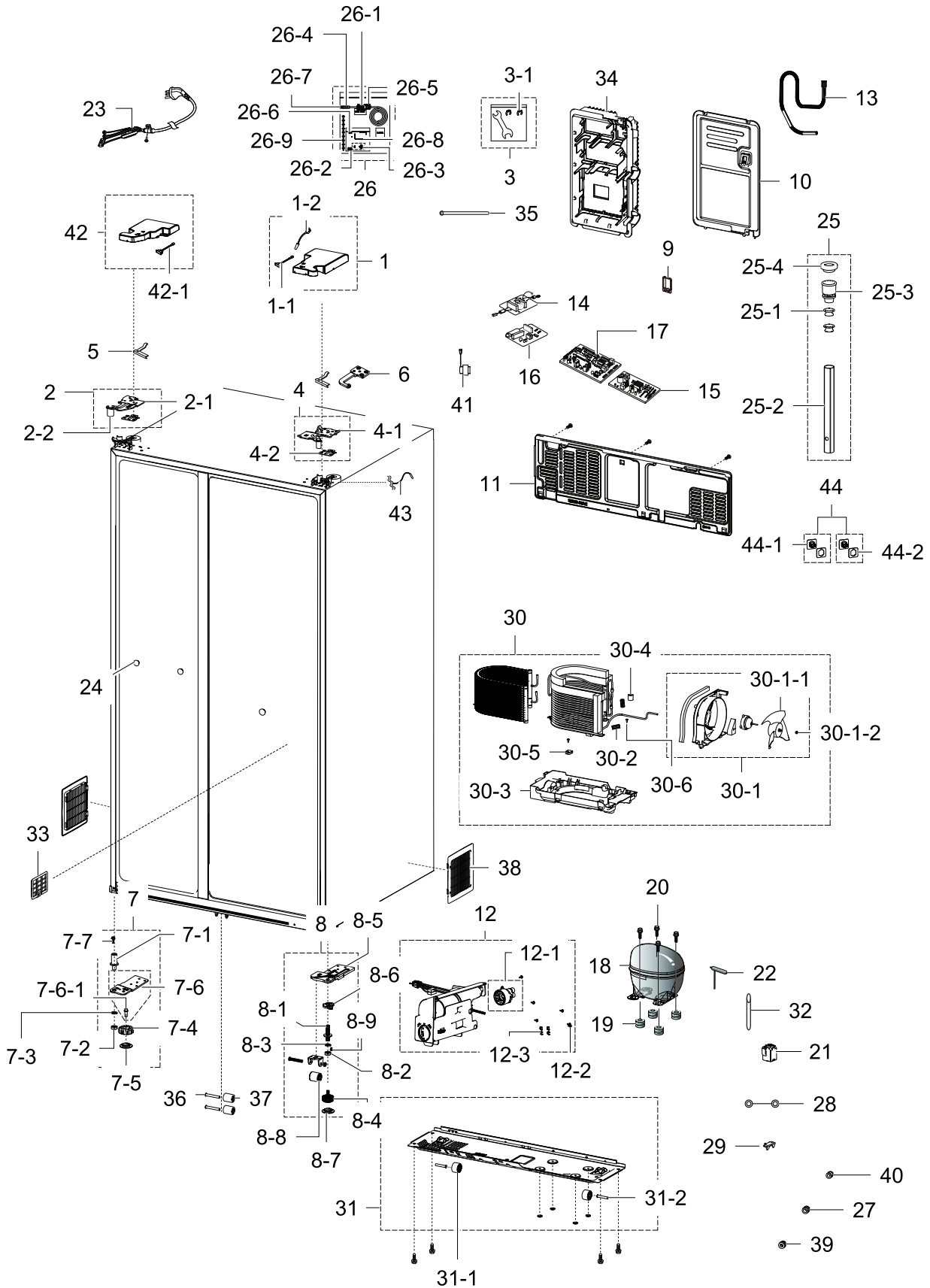
Parts List

No.	Lvl.	Loc.	Material Code	Description & Specification	SNA	Qty.
1	2	RI483	DA97-16564D	ASSY COVER DAMPER-REF; LATOUR,ALL AROUND	SA	1
1-1	3	RY026	DA31-00043E	MOTOR DC-DAMPER; -, -, DC 12V,Max 60mA, -,	SA	1
1-2	3	RR375	DA32-10105R	SENSOR TEMP; 502AT,ET-PJT,-50~50,5V,1000	SA	1
1-3	3		DA63-07224A	COVER-DEODORIZER; BAROSA,PP,T2.0,COOL WHI	SA	1
1-4	3	RI566	DA63-08436C	COVER DAMPER-REF; LATOUR,PP,T2.0,HB,COOL	SNA	1
1-5	3	RG022	DA02-90106R	CATALYST-LTC; ALL,T5,W40,L40	SA	1
1-6	3		DA62-04268A	SEAL DAMPER-REF; LATOUR,PE OPEN CELL,WHIT	SA	1
2	2	RI037	DA97-14801A	ASSY SHELF-REF; FSR CD	SA	2
2-1	3		DA64-04395K	TRIM SHELF-REAR; FSR CD,HIPS,S834S1,COOL	SNA	2
2-2	3		DA64-04407H	TRIM SHELF-FRONT; FSR-CD,ABS,775E,COOL WH	SNA	2
3	2	RI492	DA97-14797A	ASSY SHELF FOLDER; FSR-CD	SA	1
3-1	3		DA67-03874A	SHELF FOLDER-B; FSR-CD,HIPS,COOL WHITE	SA	1
3-2	3		DA67-03875A	SHELF FOLDER-A; FSR-CD,PP,COOL WHITE	SA	1
3-3	3		DA67-03876A	SHELF FOLDER-FRONT; FSR-CD,PP,COOL WHITE	SA	1
4	2	RI222	DA63-02902A	COVER-FIXER HOUSING,V; NEXT,GALVALUM,T0.3	SA	2
5	2	RI002	DA97-14711A	ASSY CASE VEG-UP; FSR CD	SA	2
5-1	3		DA61-09851A	CASE VEG-UP; FSR CD,PP,COOL WHITE,BJ750	SNA	2
5-2	3	RI572	DA63-07487A	COVER VEG-FRONT; LATOUR,GPPS,TP BLUE,G116	SNA	2
5-3	3		DA64-04565D	TRIM BASKET-REF; LATOUR,HIPS,HI425EH,COOL	SNA	3
6	2	RI001	DA97-14713A	ASSY CASE VEG-LOW; FSR CD	SA	1
6-1	3		DA61-09849A	CASE VEG-LOW; FSR CD,PP,COOL WHITE,HB,BJ7	SNA	1
6-2	3	RI572	DA63-07862A	COVER VEG-FRONT; FSR CD,GPPS,HB,G1441S1	SNA	1
6-3	3		DA64-04565D	TRIM BASKET-REF; LATOUR,HIPS,HI425EH,COOL	SNA	3
6-4	3	RR069	DA66-10104A	ROLLER-FRE; POM,-, -,D22,-, -,	SC	4
7	3		DA97-14747A	ASSY RAIL-LOW LEFT; FSR	SNA	2
7-1	4	RR069	DA66-10104A	ROLLER-FRE; POM,-, -,D22,-, -,	SC	10
8	3		DA97-14745A	ASSY RAIL-LOW RIGHT; FSR	SNA	2
8-1	4	RR069	DA66-10104A	ROLLER-FRE; POM,-, -,D22,-, -,	SC	10

No.	Lvl.	Loc.	Material Code	Description & Specification	SNA	Qty.
9	3		DA97-14144A	ASSY RAIL-LOW LEFT; LATOUR,PP,WITH ROLLER	SNA	2
9-1	4	RR069	DA66-10104A	ROLLER-FRE; POM,-,-,D22,-,-,	SC	10
9-2	4	RR250	DA71-20277A	FIXER-ROLLER; SR-62,PA66,T2.0	SA	6
10	3		DA97-14143A	ASSY RAIL-LOW RIGHT; LATOUR,PP,WITH ROLLE	SNA	2
10-1	4	RR069	DA66-10104A	ROLLER-FRE; POM,-,-,D22,-,-,	SC	10
10-2	4	RR250	DA71-20277A	FIXER-ROLLER; SR-62,PA66,T2.0	SA	6
11	3		DA96-01119B	ASSY LAMP LED; 6,FR-4,150*12,WHITE,SMAW25	SA	1
12	2	RU022	DA63-05431A	COVER-LED SIDE; AW3,SAN,NTR	SA	2
13	2	RY725	DA63-03623D	COVER-LAMP; TWIN,PC,T2.0,W35,L152,TRANSPA	SA	2
14	3		DA41-00519P	ASSY LAMP LED; 3ea,CEM-1,100*20,WHITE,SMA	SA	2
15	2		DA67-03879A	CAP AIR-OUT; FSR-CD,ABS,HB,HG-0760GP,COOL	SA	1
16	2		DA97-14716A	ASSY COVER DRAWER-REF FLIP; FSR CD	SA	1
16-1	3		DA61-09853A	FIXER COVER-REF; FSR CD,PP,NATURAL,BJ750	SA	1
16-2	3		DA63-07860A	COVER DRAWER-REF FLIP; FSR CD,SAN,HB,-,HF	SA	1
16-3	3	RY448	DA63-06107A	GROMMET-DRAWER FLIP; POLARIS,SI,transpare	SA	4
17	2		DA97-16323A	ASSY RACK WINE; HM10,ASSY	SA	1
17-1	3	RI160	DA75-00266B	RACK-WINE; HERMES10,MSWR70,-,W437.0,L289.	SA	1
18	2		DA61-09997A	FIXER VEG FLIP; RH9000HC,HIPS,NATURAL,S83	SA	1
19	3		DA97-15047A	ASSY RAIL-LOW LEFT; FSR-CD,HIPS,WITH ROLL	SNA	1
19-1	4	RR069	DA66-10104A	ROLLER-FRE; POM,-,-,D22,-,-,	SC	10
19-2	4	RR250	DA71-20277A	FIXER-ROLLER; SR-62,PA66,T2.0	SA	6
20	3		DA97-15048A	ASSY RAIL-LOW RIGHT; FSR-CD,HIPS, WITH RO	SNA	1
20-1	4	RR069	DA66-10104A	ROLLER-FRE; POM,-,-,D22,-,-,	SC	10
20-2	4	RR250	DA71-20277A	FIXER-ROLLER; SR-62,PA66,T2.0	SA	6

3. Cabinet

Exploded View



Parts List

No.	Lvl.	Loc.	Material Code	Description & Specification	SNA	Qty.
1	2		DA97-14033A	ASSY COVER HINGE-REF; LATOUR,FSR	SA	1
1-1	3	RY001	DA34-00043A	SWITCH REED; UL1007 AWG 22,100mm,DEM1-B50	SA	2
1-2	3	RO302	DA32-00034B	SENSOR HUMIDITY; DA32-00034B, HCPV-200H-1	SA	1
2	2		DA97-14042A	ASSY HINGE-UP LEFT; LATOUR,RO,FSR	SA	1
2-1	3		DA61-09269A	HINGE-UP LEFT; LATOUR,PO-SPHC,T3.0, RO,F*	SNA	1
2-2	3	RK777	DA63-50192A	SHIM-HINGE UPP; RD-PVC,-,T1.0	SA	1
3	2		DA99-04198A	ASSY INSTALL; FSR CD,USA	SA	1
3-1	3	RR094	DA61-04522A	CLIP-FITTING LOCK; AW,POM,-,1/4inch	SA	4
4	2		DA97-14041A	ASSY HINGE-UP RIGHT; LATOUR,FSR	SA	1
4-1	3		DA61-09274A	HINGE-UP RIGHT; LATOUR,PO-SPHC,T3.0, FSC	SNA	1
4-2	3	RK777	DA63-50192A	SHIM-HINGE UPP; RD-PVC,-,T1.0	SA	1
5	2		DA61-04932B	FIXER-HINGE;PO-SPHC,T3,Zn coating	SA	2
6	2		DA61-09237A	HINGE-UP RIGHT; FOOD SHOW CASE,PO-SPHC,T4	SA	1
7	3		DA97-14046B	ASSY HINGE-LOW LEFT; FSR CD,DISPENSER	SA	1
7-1	4		DA66-00716D	SHAFT HINGE-LOW LEFT; FSR CD,SM45C,OD18.3	SNA	1
7-2	4	RX003	6021-000171	NUT-HEXAGON; 3C,M12,SN PLT,SS34	SA	1
7-3	4		6031-001297	WASHER-SPRING; SCP1,ID12.3,OD21.5,T2,ZPC(SA	1
7-4	4	RO100	DA61-07972B	FOOT-FRONT; POLARIS,PP,BLACK,INSERT NUT,	SA	1
7-5	4	RO049	DA61-07973B	FOOT; POLARIS,PP,BLACK,PP_S	SA	1
7-6	4		DA61-09275B	HINGE-LOW LEFT; FSR CD,PO-SPHC,T5.0,DISPE	SNA	1
7-6-1	5	RY454	DA66-00793A	SHAFT-LEG FRONT; POLARIS,SWCH10A,BLACK,EL	SA	1
7-7	4	RR335	6003-001435	SCREW-TAPTYPE; HWH,+,S,M5,L12.7,ZPC2(WHT)	SA	1
8	3		DA97-14047B	ASSY HINGE-LOW RIGHT; FSR-CD,CASTER ADD	SA	1
8-1	4		DA66-00911C	SHAFT HINGE; POLARIS,SWCH10A,WHITE,FORGIN	SA	1
8-2	4	RX003	6021-000171	NUT-HEXAGON; 3C,M12,SN PLT,SS34	SA	1
8-3	4		6031-001297	WASHER-SPRING; SCP1,ID12.3,OD21.5,T2,ZPC(SA	1
8-4	4	RO100	DA61-09458A	FOOT-FRONT; PPI BLACK	SA	1
8-5	4		DA61-09276A	HINGE-LOW RIGHT; LATOUR,PO-SPHC,T7.0	SNA	1

Exploded Views and Parts List

No.	Lvl.	Loc.	Material Code	Description & Specification	SNA	Qty.
8-6	4		DA66-00891A	CAM-HINGE RISER REF LOW; MONTES ALPHA,NY-	SA	1
8-7	4	RO049	DA61-09459A	FOOT; PPI BLACK	SA	1
8-8	4	RO360	DA61-04702A	CASTER-FRONT; AW-PJT,PP,NATURAL,32, PP+TP	SA	1
8-9	4	RR131	6002-000217	SCREW-TAPPING; TH,+,NO,1,M4,L8,ZPC(WHT),S	SA	1
9	2	RM030	DA63-00586B	COVER-TUBE FILTER; A-TOP,PP,HB,NATURAL,BJ	SA	1
10	2		DA97-13181C	ASSY COVER PBA-MAIN; ROMANEE-CONTI	SA	1
11	2	RH001	DA97-12749B	ASSY COVER COMP; POLARIS,GI-SGCC,T0.25	SA	1
12	2		DA97-14655G	ASSY CASE WATER FILTER; FSR CD	SA	1
12-1	3		DA97-08006L	ASSY CASE FILTER; H920G	SNA	1
12-2	3	RR008	6002-000213	SCREW-TAPPING; TH,+,1,M4,L12,ZPC(WHT),SWR	SA	40
12-3	3	RR094	DA61-04522A	CLIP-FITTING LOCK; AW,POM,-,-,1/4inch	SA	4
13	2		DA62-03897A	PIPE-CONNECT SUCTION FRE; ROMANEE-CONTI,C	SA	1
14	2	RH069	DA27-00043A	COIL FILTER; SSLF-203F,4.0mH, 14.0mH,60*8	SA	1
15	1		DA92-00483D	ASSY PCB INVERTER; INVERTER,FSR,163*98.5m	SA	1
16	1		DA92-00486A	ASSY MODULE; STD #8 SMPS,FOOD SHOWCASE,45	SA	1
17	1	RY475	DA92-00715D	ASSY PCB MAIN; MAIN PBA,RH9000HWC,178*197	SA	1
18	2		NF34H9151AME01	CMP,REFRIGERATOR,R-600A; CMP,REFRIGERATOR,R-600A	SA	1
19	2	RH732	DA63-02617A	GROMMET COMP; USP05,EPDM,OD27.0,BLACK	SA	4
20	2		6011-004061	BOLT-HEX; M6,L42.6,SWCH10A	SA	4
21	2	RH015	DA63-06122A	COVER RELAY; MSV,MPPO,T2.0,BLACK,V-0	SA	1
22	2	RH044	DA62-04309B	DRYER; C1220,114,SINGLE MOUTH,9g	SA	1
23	2		3903-000794	CBF-POWER CORD; AT,E.U,EU3F,3C,250V,16A,B	SA	1
24	2	RK037	DA67-30266K	CAP SCREW; A-TOP,PP,T1.5,HB,BJ750, EP542R	SA	3
25	2	RZ110	DA97-04049E	ASSY CAP-DRAIN; AW3	SA	1
25-1	3	RG141	DA61-05021A	FIXER-DRAIN; HAEMIL,PP,CARMEN WINE,HB,BJ7	SA	1
25-2	3	RH890	DA62-01266B	TUBE PVC; AW3,SF-PVC,BLACK	SA	1
25-3	3	RZ111	DA67-01301A	CAP-DRAIN; AW4,HIPS,HB,S834S1,NATURAL	SA	1
25-4	3	RO161	DA63-02761A	GROMMET-DRAIN; RS18RK,NBR,-,-,-,-,BLK,-	SA	1
26	2	RI069	DA97-11752A	ASSY-INSTALL FILTER; GUGGENHEIM	SA	1
26-1	3		DA60-00336A	FITTING TUBE; POM,1/4	SA	1
26-2	3	RR094	DA61-04522A	CLIP-FITTING LOCK; AW,POM,-,-,1/4inch	SA	4

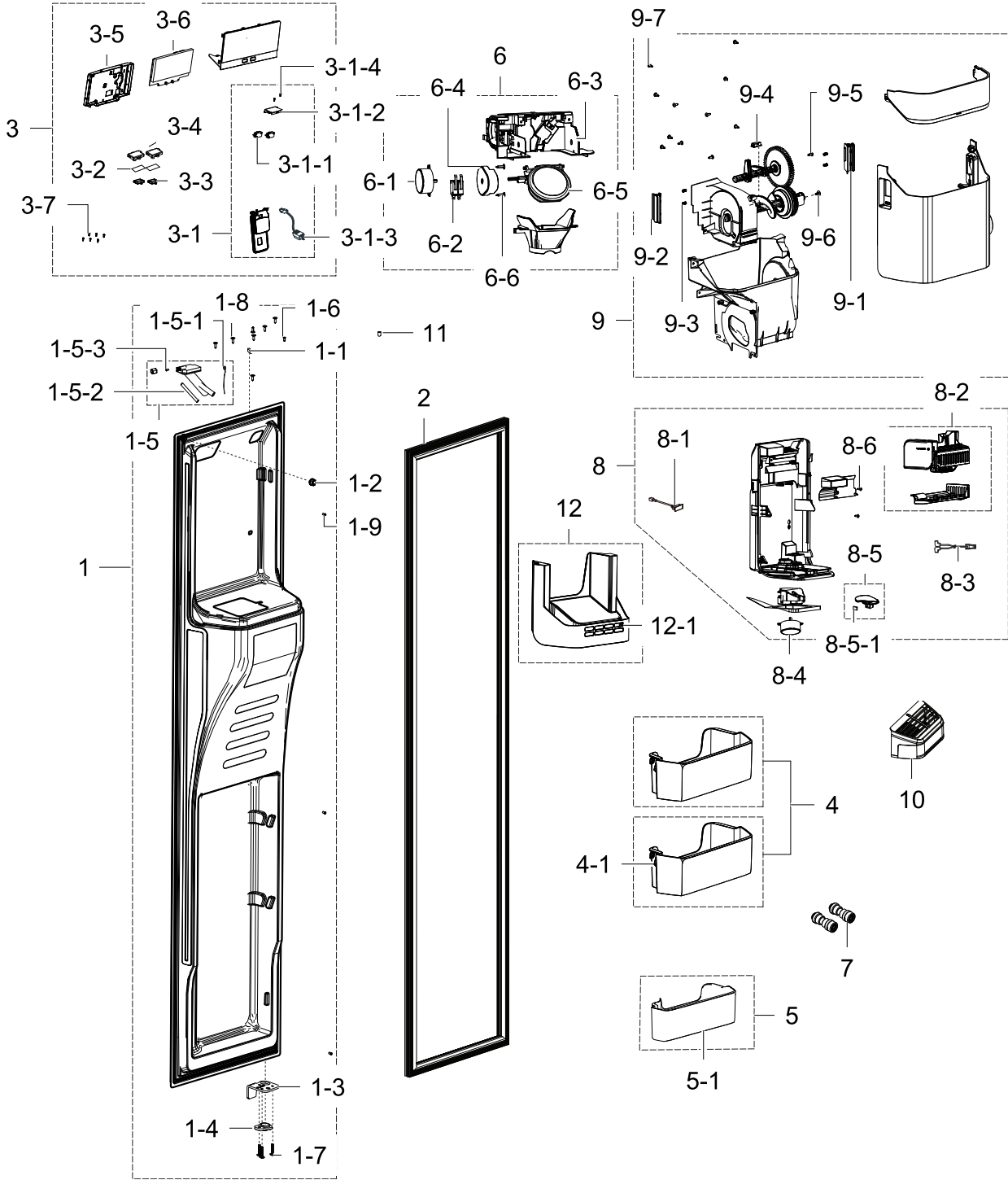
No.	Lvl.	Loc.	Material Code	Description & Specification	SNA	Qty.
26-3	3	RC001	DA62-01329A	PIPE-CONNECT WATER PACKING; ET-PJT,BRASS,	SA	1
26-4	3	RO207	DA62-01378B	VALVE-FITTING PU; AT06,C3604BD-F,-,-,-,-	SA	1
26-5	3	RU304	DA63-04744A	COVER-CHECK VALVE; HM,PP,HB,GRAY,CNTK-P-1	SA	1
26-6	3	RW963	DA65-20110B	CABLE CLAMP; PA66	SA	8
26-7	3	RR072	DA74-00070B	VALVE-FITTING NUT; A-TOP,CU,12,C3604 BD-F	SA	2
26-8	3		DA80-00002F	WRENCH-SPANNER; AW3,SM45C,Zn PLATING	SA	1
26-9	3	RR008	6002-000213	SCREW-TAPPING; TH,+,1,M4,L12,ZPC(WHT),SWR	SA	40
27	2		DA60-00280A	FITTING-LOKRING 33; GRAND/SAM/HERMES,11SM	SA	1
28	2	RK934	DA39-20389L	ASSY WIRE HARNESS-EARTH; ALL,FREE VOLT,UL	SC	1
29	2	RO354	DA34-00004C	RELAY PROTECTOR O/L; 4TM319SFBYY-82,BK190	SC	1
30	2	RH003	DA97-15976E	ASSY TRAY DRAIN WATER; SBS,PFC	SA	1
30-1	3	RO132	DA97-15765C	ASSY SUPPORT-CIRCUIT MOTOR; RH9000K	SA	1
30-1-1	4	RG062	DA31-00320A	FAN; HM12,ABS+GLASSFIBER,GR-4010/NTR	SC	1
30-1-2	4	RR053	DA61-20128A	SPRING ETC-FAN; STS304,PI8.8,ID7.8,OD9.8,	SA	1
30-2	3		DA63-07323A	GROMMET-IMMERSION PIPE B; ROMANEE CONTI,N	SA	2
30-3	3	RH885	DA63-08237A	TRAY DRAIN-WATER; FSR CD,PP,HB,GRAY,PFC C	SNA	1
30-4	3	RX020	DA63-40171B	GROMMET-SUCT PIPE A; NBR,-,ID4,OD20	SC	1
30-5	3	RH054	DA63-04424A	GROMMET-COND SUB; GUGGENHEIM,NBR,-,-,-,-,-,	SA	1
30-6	3	RR008	6002-000213	SCREW-TAPPING; TH,+,1,M4,L12,ZPC(WHT),SWR	SA	40
31	2		DA97-12557D	ASSY CHASSIS COMP; FSR FS/CD,NO HANDLE	SA	1
31-1	3	RR242	DA61-04703A	CASTER-REAR; AW-PJT,PP,NATURAL,PP+TPE	SA	2
31-2	3	RX039	DA66-00649B	SHAFT-CASTER; POLARIS,MSWR10,L44,ID8.0,OD	SA	2
32	2	RH026	DA73-10190U	PIPE-CONNECT DISC,B; TD-PJT,CU,C1220T,OD6	SA	1
33	2		DA63-07481A	COVER AIR-REF; LATOUR,PP,HB,COOL WHITE,BJ	SA	1
34	3	RO366	DA63-07186B	COVER-PBA MAIN; ROMANEE-CONTI,GI-SGCC,T0.	SNA	1
35	2		DB61-00206A	HOLDER-WIRE; GI-SGCC,BLACK	SNA	1
36	3	RH012	DA61-01920A	FIXER-CASTER; ZPC2,MSWR10,OD8.0,L58	SA	2
37	3	RO360	DA61-04702A	CASTER-FRONT; AW-PJT,PP,NATURAL,32, PP+TP	SA	2

Exploded Views and Parts List

No.	Lvl.	Loc.	Material Code	Description & Specification	SNA	Qty.
38	2	RH778	DA63-07680A	COVER UNIT; AW3-14,ABS,HB,INOX GRAY,HG-07	SA	2
39	2		DA60-00281A	FITTING LOKRING;SUM23,St 56	SA	1
40	2		DA60-00279A	FITTING-LOKRING 16; GRAND/SAM/HERMES,11SM	SA	1
41	2		DA27-00047A	COIL-HARMONIC; 3mH,0.46 ohm,69*40*39	SA	1
42	2		DA97-14032C	ASSY COVER HINGE-FRE; FSR-CD/FS	SA	1
42-1	3	RY001	DA34-00043A	SWITCH REED; UL1007 AWG 22,100mm,DEM1-B50	SA	1
43	3	RK745	DA32-10109Q	SENSOR TEMP; 502AT, PX-41C,DKST1329GW,ET-	SC	1
44	2		DA97-17246A	ASSY GROMMET; POLARIS,POM	SA	2
44-1	3		DA61-11159A	FIXER COVER; POM,NATURAL	SNA	2
44-2	3		DA62-02944B	SEAL-GROMMET FIXER; POLARIS,PE FOAM,BLACK	SNA	2

4. Freezer Door

Exploded View



Parts List

No.	Lvl.	Loc.	Material Code	Description & Specification	SNA	Qty.
1	2	RD001	DA91-04630E	ASSY DOOR FOAM-FRE; FSR CD,ICE BLUE,FSR H	SA	1
1-1	5	RY479	DA61-03769A	MAGNET-A; HERMES,FERRITE,1600Gauss	SA	1
1-2	5		DA97-11151D	ASSY FIXER-MOVABLE; HAEMIL,CREAMY STS,MAT	SA	1
1-3	5	RU471	DA61-07527A	STOPPER-DOOR FRE LOW; POLARIS,SHP1,T4.0,W	SA	1
1-4	5	RD202	DA66-00558B	CAM HINGE-RISER UPP L; POLARIS,NY-66,BLAC	SA	1
1-5	5	RO131	DA97-06542G	ASSY PIPE-WATER ICE; POLARIS-EXP,230V,IN	SA	1
1-5-1	6	RO552	DA47-00104H	HEATER-WATER PIPE; AC230V,HM12_INDOOR, 11	SNA	1
1-5-2	6		DA62-01368L	PIPE-WATER LINE; ATOP, ET, AD,PE RT,-,B23	SA	3
1-5-3	6	RM020	DA71-20208A	FIXER-VALVE WATER B; SR-S7180,PA6,-,BLUE	SA	1
1-6	5		6002-001547	SCREW-TAPPING; FH,+,NO,1,M4,L10,ZPC(WHT),	SA	1
1-7	5	RR007	6001-001377	SCREW-MACHINE; TH,+,-,M5,L25,ZPC(WHT),SWR	SA	3
1-8	5	RR016	6002-001122	SCREW-TAPPING; FH,+,NO,1,M4,L14,ZPC(WHT),	SC	6
1-9	4		6002-001547	SCREW-TAPPING; FH,+,NO,1,M4,L10,ZPC(WHT),	SA	3
2	2	RU513	DA97-04568W	ASSY-GASKET DOOR FRE; POLARIS,SC-97487,W3	SA	1
3	2		DA97-14704B	ASSY COVER DISPENSER; FSR_GLOBAL,NO OPTIO	SA	1
3-1	3		DA97-12628M	ASSY LEVER DISPENSER; ROMANEE CONTI,STS C	SA	1
3-1-1	4		3405-001119	SWITCH-MICRO; 250VAC,1A,80,SPST-NO,T105	SA	2
3-1-2	4	RE059	DA63-05449A	COVER SWITCH; AW3,ABS,NATURAL,HG-0760GP	SA	1
3-1-3	4		DA96-00106J	ASSY WIRE HARNESS-DISPENSER; ALL,12VDC,AL	SA	1
3-1-4	4	RR014	6002-000630	SCREW-TAPPING; PH,+,NO,2S,M3,L8,ZPC(WHT),	SA	2
3-2	3	RK964	DA41-00217A	ASSY PCB KIT; LED DISPENSER LAMP,AD,17*31	SA	2
3-3	3	RU012	DA61-05687A	CASE LAMP-LED; SSED,GP,TP BLUE,147F,HI	SA	2
3-4	3	RE310	DA63-02446A	COVER-LAMP-LED; EPEL,ABS,-,W39.6,L22.6,-,	SA	2
3-5	3	RO464	DA63-06377A	COVER PCB-PANEL REAR; OPUS1,HIPS,GRAY,CNT	SA	1
3-6	3		DA92-00635A	ASSY MODULE; LED TOUCH DISPLAY,RH9000HWC,	SA	1

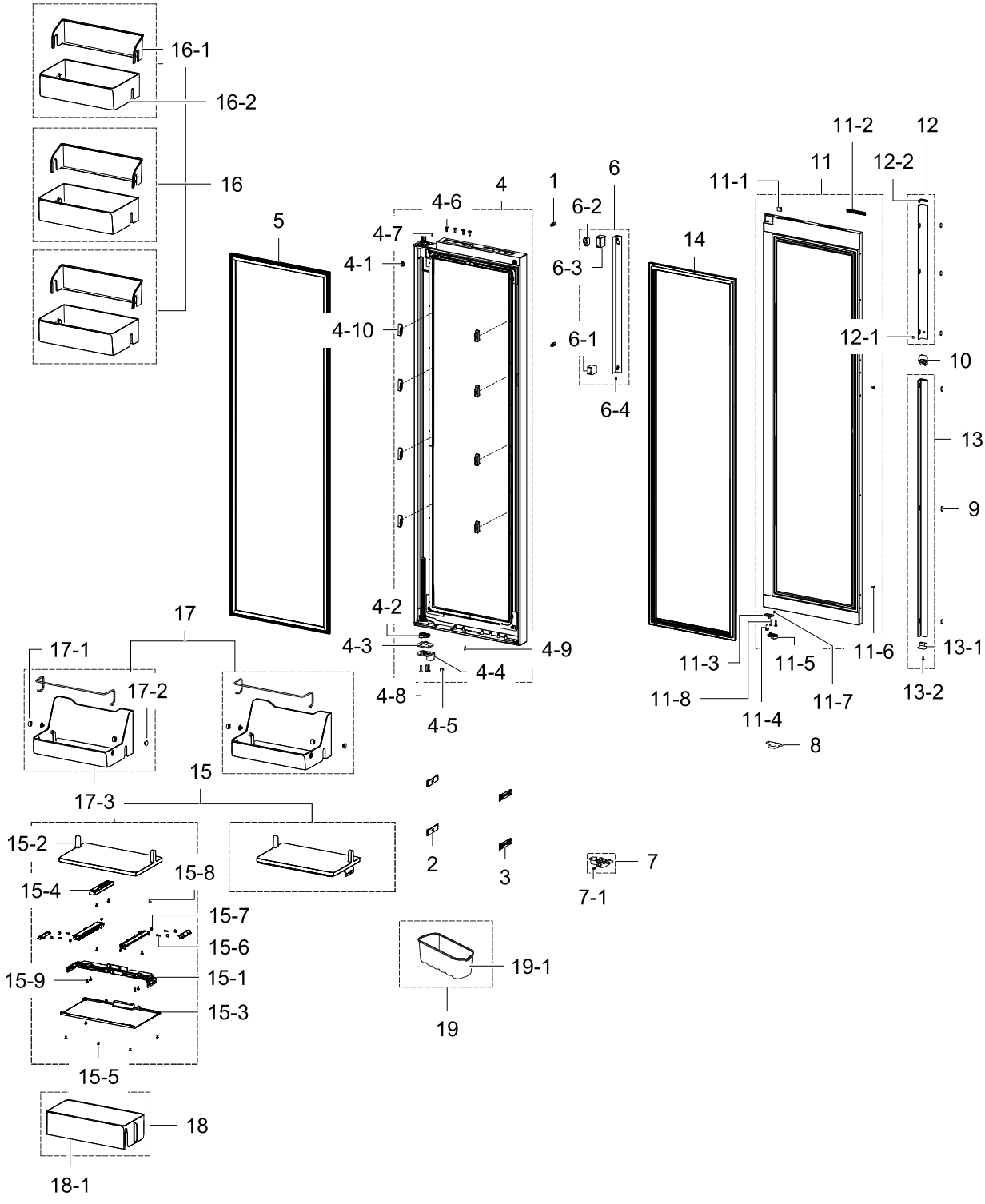
No.	Lvl.	Loc.	Material Code	Description & Specification	SNA	Qty.
3-7	3	RR014	6002-000630	SCREW-TAPPING; PH,+ ,NO,2S,M3,L8,ZPC(WHT),	SA	6
4	2	RD017	DA97-14068B	ASSY GUARD-FRE UP; FOOD SHOWCASE,GLOBAL	SA	2
4-1	3	RD351	DA63-07520A	GUARD-FRE UP; FOOD SHOW CASE,GPPS,T3.0,TP	SNA	2
5	2	RI141	DA97-14069B	ASSY GUARD-FRE LOW; FOOD SHOW CASE,GLOBAL	SA	1
5-1	3		DA63-07521A	GUARD-FRE LOW; FOOD SHOW CASE,GPPS,T3.0,T	SNA	1
6	2		DA97-06473J	ASSY CASE ICE-ROUTE; FSR CD,220V	SA	1
6-1	3	RF261	DA31-00079A	MOTOR GEARED AC DISP; MVLA15AR11/MCFA182A	SA	1
6-2	3		3405-001117	SWITCH-MICRO; 125/250VAC,1A,80gf,SPST-NO	SA	2
6-3	3	RE130	DA61-04373A	CASE ICE ROUTE; GUGGENHEIM,ABS,NATURAL,HG	SA	1
6-4	3	RD199	DA66-00309A	CAM-GEAR MOTOR; QUEEN,POM,NATURAL,K300	SA	1
6-5	3	RD068	DA97-00883E	ASSY COVER-ICE ROUTE; QUEEN-PJT,-,-,-,-,-	SA	1
6-6	3	RR017	6002-001364	SCREW-TAPPING; FH,+,-,1,M4,L14,CR PLT,SWR	SA	2
7	2	RY761	DA60-00258B	FITTING-TUBE; TUBE FITTING A,PP,1/4,1/4'-	SA	2
8	2		DA97-14253B	ASSY ICE MAKER-INDOOR; GGH2,230V	SA	1
8-1	3	RY001	DA34-00043C	SWITCH REED; 13mm,UL1007 AWG 22,100,HOOK	SA	1
8-2	3	RM061	DA97-13415A	ASSY ICE MAKER; GGH-PJT,220~240V	SA	1
8-3	3	RY001	DA97-00151B	SWITCH REED; UL1007 AWG 22,230,35151-0210	SA	1
8-4	3	RF261	DA31-00079A	MOTOR GEARED AC DISP; MVLA15AR11/MCFA182A	SA	1
8-5	3		DA97-14563A	ASSY MAGNET; RS-H260A,NGIS	SNA	1
8-5-1	4		DA33-10011A	MAGNET; SSM-390,T2,W5,L7,-,	SA	1
8-6	3	RR012	6002-000471	SCREW-TAPPING; TH,+,-,1,M4,L12,PASS,STS30	SA	6
9	2	RZ003	DA97-14263A	ASSY TRAY ICE; GGH2,IN-DOOR	SA	1
9-1	3	RM051	DA66-00587A	LEVER-BUCKET L; GUGGENHEIM,ABS,29.8,76.7,	SC	1
9-2	3	RM052	DA66-00588A	LEVER-BUCKET R; GUGGENHEIM,ABS,29.8,76.7,	SA	1
9-3	3	RM049	DA61-04378A	SPRING ETC-BUCKET LEVER; GUGGENHEIM,STS30	SA	4
9-4	3	RY482	DA61-02738A	MAGNET-ASS'Y; CORE-PJT,Strontium ferrite,	SA	1
9-5	3	RR113	6002-000473	SCREW-TAPPING; TH,+ ,NO,1,M4,L14,PASS,STS3	SA	1

Exploded Views and Parts List

No.	Lvl.	Loc.	Material Code	Description & Specification	SNA	Qty.
9-6	3	RS707	DA60-10107A	SCREW MACHINE; -,+,-,M4,L10,PASS,STS304,-	SA	1
9-7	3	RR012	6002-000471	SCREW-TAPPING; TH,+,-,1,M4,L12,PASS,STS30	SA	6
10	2	RM003	DA97-06568C	ASSY COVER-ICE MAKER; GUGGENHEIM(EXP),COO	SA	1
11	2	RU302	DA73-00211A	RUBBER-CAP HOSE; i4-PJT,SILICON,GRAY	SA	1
12	2	RD017	DA97-14991A	ASSY GUARD-FRE UP; FSR	SA	1
12-1	3	RD351	DA63-07858A	GUARD-FRE UP; FSR-CD,HIPS,COOL WHITE	SC	1

5. Fridge Door

Exploded View



Parts List

No.	Lvl.	Loc.	Material Code	Description & Specification	SNA	Qty.
1	2		DA61-11161A	FIXER HANDLE; AW3-14,SWRCH10A,M8	SA	2
2	2		DA67-04224A	CAP REINF; RH9000K,ABS,HG-0760GP,COOL WHI	SA	2
3	2		DA67-04223A	CAP REINF; RH9000K,ABS,HG-0760GP,COOL WHI	SA	2
4	2		DA91-04556G	ASSY DOOR FOAM-REF IN; REF-IN,BEST,VCM,AL	SA	1
4-1	5		DA97-11151D	ASSY FIXER-MOVABLE; HAEMIL,CREAMY STS,MAT	SA	1
4-2	5		DA66-01035A	CAM-RISER REF MID UPP; FOOD SHOWCASE,NY-6	SA	1
4-3	5		DA61-09137A	HINGE-LOW REF OUT; FOOD SHOWCASE,SHP1,ELE	SA	1
4-4	5		DA61-09264A	STOPPER DOOR-REF LOW; FOOD SHOWCASE,PO-SP	SA	1
4-5	4		DA63-07538A	GROMMET-A; MOUTON12,SI,COOL WHITE,NAME TA	SA	2
4-6	4	RR016	6002-001122	SCREW-TAPPING; FH,+,NO,1,M4,L14,ZPC(WHT),	SC	4
4-7	5		6002-001547	SCREW-TAPPING; FH,+,NO,1,M4,L10,ZPC(WHT),	SA	1
4-8	5	RR007	6001-001377	SCREW-MACHINE; TH,+,-,M5,L25,ZPC(WHT),SWR	SA	3
4-9	5	RR227	6001-000715	SCREW-MACHINE; TH,+,-,M5,L16,ZPC(WHT),SWR	SA	1
4-10	5		DA61-10323A	FIXER GUARD-UP; RH6900JC,HIPS,COOL WHITE,	SA	8
5	2	RR238	DA97-04568V	ASSY-GASKET DOOR REF; POLARIS,SC-97487,W4	SA	1
6	2	RO013	DA97-13873E	ASSY HANDLE-REAR; FSR,AL,Hair line(V)+Ano	SA	1
6-1	3		DA67-03674A	CAP-HANDLE REF IN LOW; FOOD SHOW CASE,ABS	SA	1
6-2	3		DA61-09327A	BRACKET HANDLE; FOOD SHOW CASE,POM,NATURA	SA	1
6-3	3		DA67-03673A	CAP-HANDLE REF IN UPP; FOOD SHOW CASE,ABS	SA	1
6-4	3	RS030	6009-001526	SCREW-SET; -,HEX,-,#10-24 UNC 2B,L9,PASS,	SA	1
7	2		DA97-14090A	ASSY COVER LATCH; FOOD SHOW CASE,GRAY	SA	1
7-1	3		6002-001547	SCREW-TAPPING; FH,+,NO,1,M4,L10,ZPC(WHT),	SA	1
8	2		DA64-04574A	LOCKER; FOOD SHOWCASE,POM,CREAMY STAINLES	SA	1

No.	Lvl.	Loc.	Material Code	Description & Specification	SNA	Qty.
9	2		DA67-03677C	CAP HANDLE-SIDE; FSR,ABS,LX-0970L,GLOW ME	SA	5
10	2		DA67-03727A	CAP HANDLE-REF; FOOD SHOW CASE,ABS,MP-016	SA	1
11	2	RE001	DA91-04189T	ASSY DOOR FOAM-REF; FSR CD/FS, REF-OUT,RE	SA	1
11-1	5	RY478	DA61-03769B	MAGNET; SVETA,MAGNET,T5,W15,L18	SA	1
11-2	3	RO716	DA64-04021D	MASCOT; ALL,Ni,T0.06,L90	SA	1
11-3	5	RO111	DA61-09426A	STOPPER DOOR-REF; FOOD SHOW CASE,PO-SPHC,	SA	1
11-4	5	RE128	DA63-07566A	GROMMET HINGE-REF LOW; FOOD SHOWCASE,PA66	SA	1
11-5	5		DA66-01044A	CAM AUTO CLOSE-RIGHT; FOOD SHOWCASE,POM,C	SA	1
11-6	4		6002-001547	SCREW-TAPPING; FH,+,NO,1,M4,L10,ZPC(WHT),	SA	3
11-7	5		6002-001547	SCREW-TAPPING; FH,+,NO,1,M4,L10,ZPC(WHT),	SA	1
11-8	5	RR023	6009-001475	SCREW-SPECIAL; FH,+,-,M5,L25(15.5),PASS,S	SA	2
12	2		DA97-13874A	ASSY HANDLE-REF UP; FOOD SHOW CASE,AL	SA	1
12-1	3		DA63-07634B	GROMMET HANDLE; FOOD SHOW CASE,SI,LIGHT G	SA	1
12-2	3		DA67-03675A	CAP-HANDLE REF OUT UPP; FOOD SHOW CASE,AB	SA	1
13	2		DA97-13875A	ASSY HANDLE-REF LOW; FOOD SHOW CASE,AL	SA	1
13-1	3		DA67-03676A	CAP-HANDLE REF OUT LOW; FOOD SHOW CASE,AB	SA	1
13-2	3	RR016	6002-001122	SCREW-TAPPING; FH,+,NO,1,M4,L14,ZPC(WHT),	SC	22
14	2		DA97-13915A	ASSY GASKET-REF; FOOD SHOW CASE,DARK-GRAY	SA	1
15	2		DA97-13891A	ASSY TRAY-MIDDLE; FOOD SHOW CASE,ASSY,STA	SA	2
15-1	3		DA61-09252A	REINF-MIDDLE FRONT; FOOD SHOWCASE,CR-SPCC	SA	2
15-2	3	RU521	DA63-07523A	TRAY-REF; FOOD SHOW CASE,ABS,COOL WHITE	SA	2
15-3	3		DA63-07630A	COVER RAIL; FOOD SHOWCASE,HIPS,COOL WHITE	SA	2
15-4	3		DA97-13895A	ASSY RAIL-UP; FOOD SHOW CASE,ASSY	SNA	2
15-5	3	RR014	6002-000630	SCREW-TAPPING; PH,+,NO,2S,M3,L8,ZPC(WHT),	SA	16
15-6	3		DA61-11135A	STOPPER ROLLER; SWRCH10A,FH2 M3 L15	SNA	8

Exploded Views and Parts List

No.	Lvl.	Loc.	Material Code	Description & Specification	SNA	Qty.
15-7	3		DA63-07538A	GROMMET-A; MOUTON12,SI,COOL WHITE,NAME TA	SA	8
15-8	3		DA63-07559A	GROMMET-LOW; FOOD SHOWCASE,SI,WHITE	SA	2
15-9	3	RR008	6002-000213	SCREW-TAPPING; TH,+,1,M4,L12,ZPC(WHT),SWR	SA	40
16	2		DA97-13728G	ASSY GUARD-REF UP; FOOD SHOW CASE,NO PRIN	SA	3
16-1	3		DA61-09441A	GUIDE; LATOUR,PP,RP344N,NATURAL	SA	3
16-2	3		DA63-07516D	GUARD-REF UP; FOOD SHOW CASE,GPPS,TP BLUE	SA	3
17	2		DA97-13729G	ASSY GUARD-REF MIDDLE; FOOD SHOW CASE,NO	SA	2
17-1	3	RE431	DA61-09373A	STOPPER DOOR-A; FOOD SHOW CASE,PC,3022IR,	SNA	4
17-2	3		DA61-09404A	STOPPER DOOR-B; FOOD SHOW CASE,PC,3022IR,	SNA	4
17-3	3		DA63-07517C	GUARD-REF MIDDLE; FOOD SHOW CASE,GPPS,ICE	SNA	2
18	2	RI161	DA97-13730C	ASSY GUARD-REF LOW; FOOD SHOW CASE,NO PRI	SA	1
18-1	3	RU461	DA63-07518B	GUARD-REF SUB; FOOD SHOW CASE,GPPS,-,TP B	SNA	1
19	2	RG125	DA97-02806F	ASSY TRAY-EGG; ROSSO,TP BLUE	SC	1
19-1	3	RE355	DA63-02492A	TRAY EGG; EPEL,GPPS,T2.5,H120.0,TP BLUE,T	SC	1