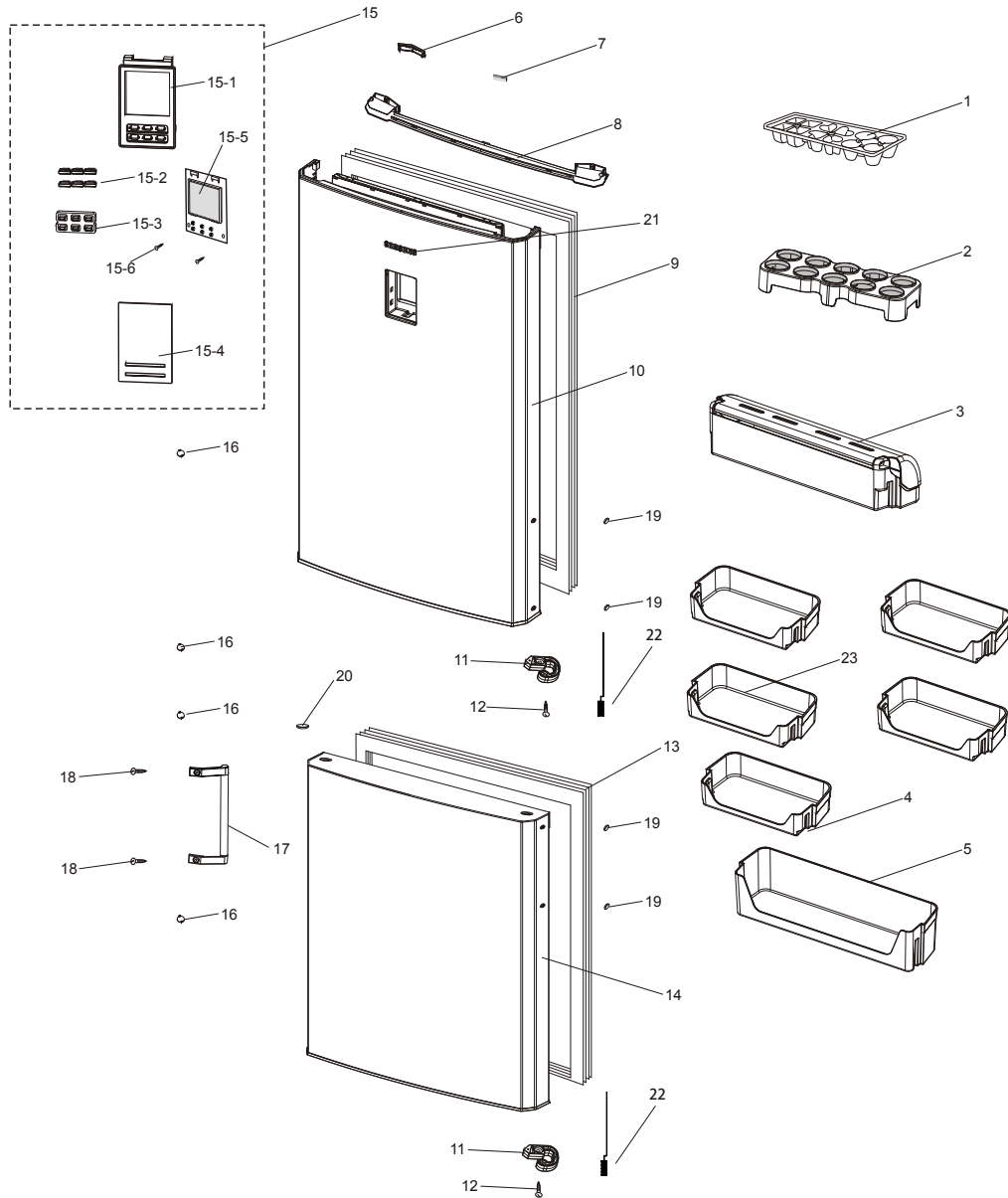


# EXPLODED VIEW PART LIST

## Door



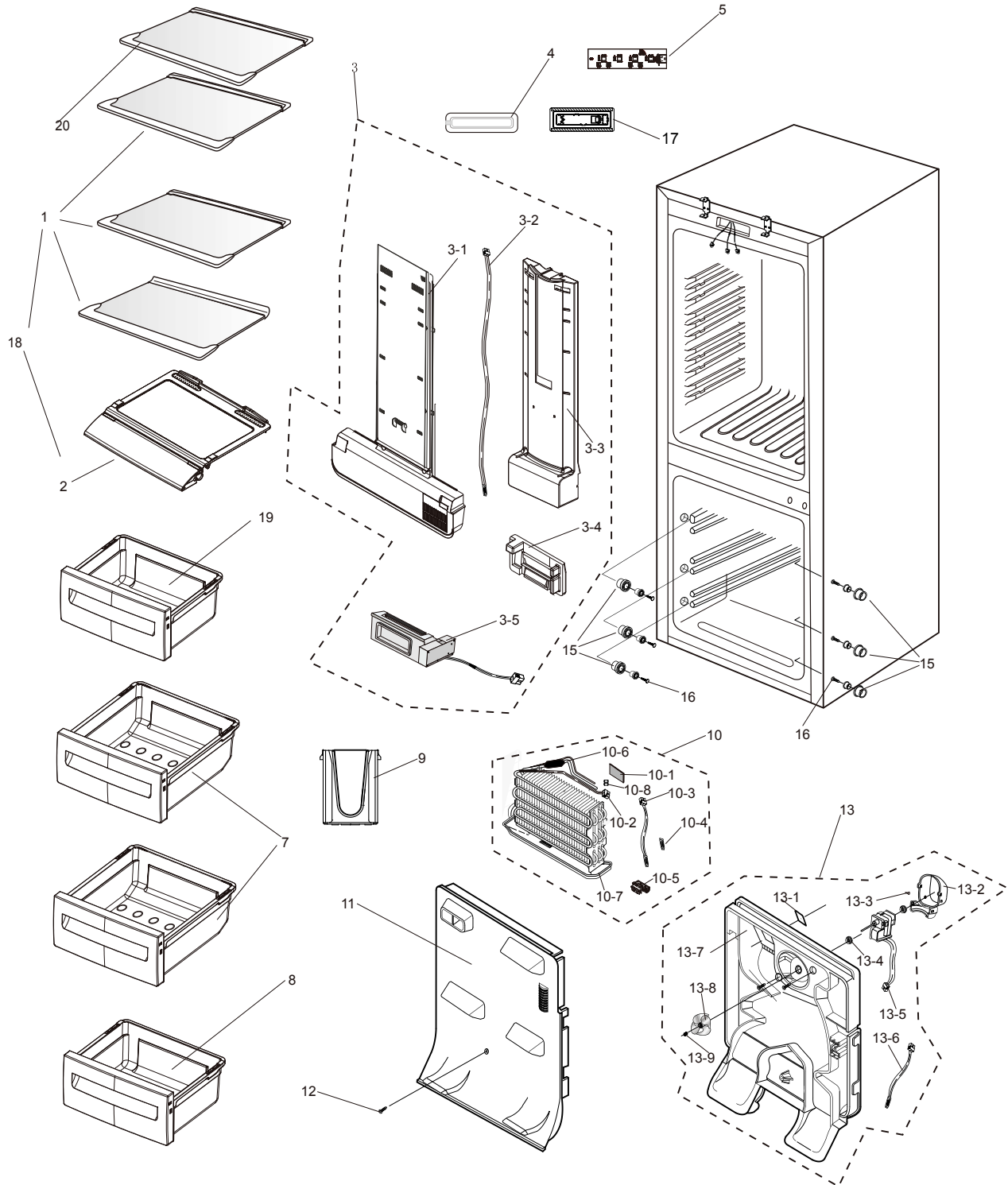
# EXPLODED VIEW PART LIST

## • Parts List of Door

NO	CODE NO	PART NAME	Specification	Quantity	SA/SNA	SVC NO
1	DA63-02856A	TRAY-ICE	CTA,PP,T1.2,-,-,-,-,-	1	SA	A0582
2	DA63-06422A	TRAY EGG	NW2-PJT,SSEC,PP,white,T2,98.2,1	1	SA	A0656
3	DA97-06559A	ASSY GUARD-DAIRY	W07,RL40,ABS+GPPS,-,-,-	1	SA	M0094
4	DA97-06559A	ASSY GUARD-DAIRY	W07,RL40,ABS+GPPS,-,-,-	1	SA	M0094
5	DA63-03798A	GUARD BOTTLE	W07,GPPS,-,-,-,-,-	1	SA	A0151
6	DA67-01795F	CAP-SPACER DOOR	W07,ABS,T1.2,-,-,-,SC-0603	1	SA	Z1155
7	DA61-03099A	MAGNET-H/B	N07-PJT,SSEC,FERRITE,OD6	1	SA	Z1156
8	DA63-03785F	COVER DOOR-UPP	W07,ABS,T1.2,-,-,-,-,SC-0	1	SA	Z1154
9	DA63-04297G	GASKET DOOR-REF	W07,RL40,PVC-SF,-,W542,L	1	SA	A0083
10	DA91-02724F	ASSY DOOR FOAM REF	RL40E,IH,-,-,-,SHORT	1	SA	A0052
11	DA61-03672E	STOPPER DOOR	W07,POM(TP-20),DY0034,INOX	1	SA	A0640
12	6002-001341	SCREW-TAPPING	BH,+,-,1,M4,L16,DACRO,SWRC	1	SNA	G0412
13	DA63-04297J	GASKET DOOR-FRE	W07,RL40,PVC-SF,-,W542,L	1	SA	A0081
14	DA91-02554J	ASSY DOOR FOAM FRE	W07,IH,-,-,G,D-TYPE,-	1	SA	A0051
15	DA97-13056E	ASSY COVER-CONTROL	W07,ASSY,IH	1	SA	G0082
15-1	DA61-03697H	CASE-INLAY	W07,ABS,T1.5,VERSAILLES SILVE	1	SNA	0
15-2	DA64-02252E	BUTTON-PANEL	W07,ABS,-,-,VERSAILLES SILV	6	SNA	0
15-3	DA63-03803A	GROMMET-BUTTON PANEL	W07,RUBBER	1	SNA	0
15-4	DA64-02265A	INLAY	W07,PMMA	1	SNA	0
15-5	DA41-00484B	ASSY PCB KIT LED	LED,W07	1	SNA	G0069
15-6	6002-001106	SCREW-TAPPING	TH,+,-,SJ2823-87,M3.5,L9.5	2	SNA	G0412
16	DA67-01472G	CAP-SCREW HANDLE	W07,ABS+PA,T1.2,SC-0506	2	SA	A0826
17	DA97-05953V	ASSY HANDLE-BAR	W07,ASSY,SC-05061S,VERSA	1	SA	A0810
18	6002-001122	SCREW-TAPPING	FH,+,-,NO,1,M4,L14,ZPC(WHT),	2	SNA	G0412
19	DA67-01473F	CAP-HOLE DOOR	W07,PP,SC-06034R,INOX	2	SC	Z1161
20	DA67-01800F	CAP-HOLE DOOR FRE	W07,ABS,-,-,-,SC-06034	1	SA	Z1153
21	DA64-04020A	MASCOT	ALL,NI,-,T0.05,L80	1	SA	M0196
22	DA61-03684C	SPRING ETC-EARTH	W07,STS304,L110	2	SA	A0663
23	DA63-03799A	GUARD VARIETY	W07,GPPS,-,-,-,-,-	4	SA	A0153

# EXPLODED VIEW PART LIST

## Fridge and Freezer



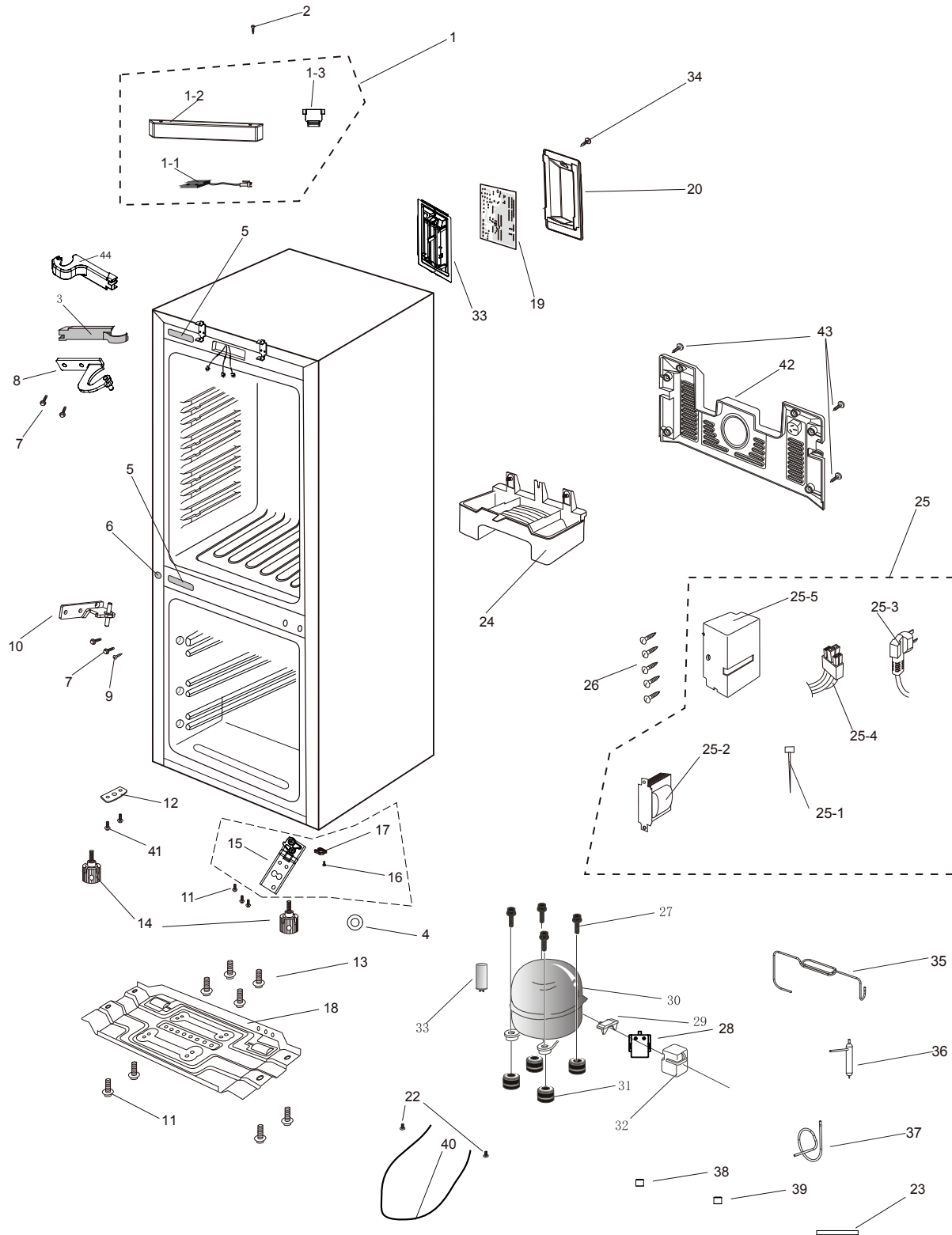
# EXPLODED VIEW PART LIST

## • Parts List of Fridge and Freezer

NO	CODE NO	PART NAME	Specification	Quantity	SA/SNA	SVC NO
1	DA97-05405B	ASSY SHELF REF	W07, GLASS+PP	3	SA	A0185
2	DA63-05682A	COVER-MULTI REF	W07, RL40, PP, W91527, M1600	1	SA	A0689
3	DA97-10598A	ASSY COVER MULTI	W07, RL40	1	SA	0
3-1	DA63-05682A	COVER-MULTI REF	W07, RL40, PP, W91527, M1600	1	SA	A0689
3-2	DA32-00012F	SENSOR TEMP	502AT, W07-PJT, -, -, -, REF, -,	1	SA	A1018
3-3	DA62-01841A	INSULATION-MULTI REF A	W07, RL40, FOAM-PS	1	SNA	0
3-4	DA62-01843A	INSULATION-MULTI REF B	W07, RL40Z, FOAM-PS	1	SNA	0
3-5	DA31-00218B	MOTOR DC-DAMPER	-, -, DC12V, Max60mA, -, -,	1	SA	G0242
4	DA63-05460B	COVER LAMP	SUPER STAR, GPPS, W35, L145, tran	1	SA	A0280
5	DA41-00675J	ASSY PCB KIT	110*20mm, CEM-1	1	SA	Z1144
7	DA97-05407B	ASSY TRAY-UP	W07, -, -, -, GPPS+PP, FILM	2	SA	A0015
8	DA97-05408B	ASSY TRAY-LOW	W07, -, -, -, GPPS+PP, FILM	1	SA	A0013
9	DA63-05574A	COVER-FIXER-HOUSING	W07, SGCC, T0.4, L46	1	SA	Z1137
10	DA96-00401P	ASSY EVAP-FRE	W07, 240V, 50Hz, PL	1	SA	A0163
10-1	DA72-00088A	SEAL-BUTYL RUBBER	C-P, BUTYL-RUBBER, -, T3,	1	SNA	0
10-2	DA47-00263F	HEATER DEFROST	W07, 250W, 240V	1	SA	A0753
10-3	DA47-00138F	THERMO FUSE-ASSY	W07-PJT, G4A01, 77C, 250V,	1	SC	A1008
10-4	DA32-00012K	SENSOR TEMP	W07-PJT, 5 V, pink, 380	1	SA	A1018
10-5	DA61-03716A	FIXER-SENSOR EVAP	W07, PP, -, -, -	1	SNA	M9009
10-6	DA59-00364A	EVAP FRE	W07-PJT, -, AL, -, -, -, -, -	1	SNA	A0742
10-7	DA67-00979B	DRAIN EVAP-FRE	W07-PJT, GALVA, T0.35	1	SNA	0
11	DA97-05485D	ASSY COVER EVAP-FRONT	W07, IMPROVE ENERGY	1	SA	A0661
12	6002-001341	SCREW-TAPPING	BH, +, -, 1, M4, L16, DACRO, SWRC	1	SNA	G0412
13	DA97-05993Q	ASSY COVER EVAP-REAR	W07, 240V	1	SA	A0667
13-1	DA62-01090B	SEAL DUCT	RL33, EPDM, BLACK, T8, W93, L95, -	1	SNA	0
13-2	DA61-01441A	CASE-MOTOR	BCD-290, PP, -, -, -, NTR, -	1	SNA	0
13-3	DA63-40167A	GROMMET-COVER CHIL	SILICON, L16, WHITE	2	SNA	M2002
13-4	DA63-40115A	GROMMET-MOTOR	L20, SILICON-RUBBER, -, -, -, -	2	SNA	A0218
13-5	DA31-00197F	FAN-MOTOR AC	RL34E, PBT+GF, 5.7W, LIUSHENG,	1	SNA	Z1139
13-6	DA32-00012L	SENSOR TEMP	W07-PJT, 5 V, WHITE, 400	1	SA	A1018
13-7	DA63-03787B	COVER EVAP-REAR	W07, PP, NTR, IMPROVE ENERG	1	SNA	G0236
13-8	DA31-00019A	FAN-PROPELLER	-, SR-32, 35, NTR, -, -, -, -	1	SA	Z1138
13-9	DA61-20128A	SPRING ETC-FAN	STS304, PI8.8, ID7.8, OD9.8,	1	SNA	A0768
15	DA66-00825A	ROLLER-TRAY	W07, POM	6	SA	Z1140
16	DA60-10130B	SCREW-TAPPING	TH, -, -, M4.2, L13, ZPC(WHT), S	5	SNA	G0412
17	DA97-08671B	ASSY CASE LAMP	CC-PJT, ASSY NTR	1	SA	A0189
18	DA97-12164A	ASSY SHELF	W07	1	SA	A0692
19	DA97-06512A	ASSY TRAY-CHILLED ROOM	W07, RL40, -, -, -, -	1	SA	M0314
20	DA97-06513B	ASSY COVER-CHILLED	W07, RL40, -, -, -, -, -	1	SA	Z1240

# EXPLODED VIEW PART LIST

## Overall Assembly



# EXPLODED VIEW PART LIST

## • Parts List of Overall Assembly

NO	CODE NO	PART NAME	Specification	Quantity	SA/SNA	SVC NO
1	DA90-04072E	ASSY COVER TOP-FRONT	W07,EE,,,INOX,	1	SA	Z1141
1-1	DA34-00046B	SWITCH-REED	KYESH,JST,200V,0.5A,DC,L90	1	SA	Z1142
1-2	DA63-03795F	COVER TOP-FRONT	W07,EE,ABS,-,-,-,-,SC-	1	SNA	A0820
1-3	DA67-01799E	CAP-HOLE TOP	W07,ABS,-,-,-,SC-06034R,INO	1	SNA	0
2	6002-001341	SCREW-TAPPING	BH,+,-,1,M4,L16,DACRO,SWRC	1	SNA	G0412
3	DA63-03790E	COVER HINGE-UP R	W07,ABS,SC-06034R,INOX	1	SA	A0239
4	DA60-40102C	WASHER-PLAIN	VH-MODEL,NY-6,ID8.5,OD16,T1	1	SA	A0822
5	DA67-01798A	CAP-HINGE HOLE	W07,ABS,T2,-,-,-,-	2	SNA	A0549
6	DA67-00429K	CAP-SCREW	W07,PP,-,-,-,SC-06034R,INOX	1	SA	A0270
7	DA61-02049A	FIXER-SCREW	SSEC,ZPC(WHT),BOLT,6*16	4	SNA	0
8	DA97-05488D	ASSY HINGE UPP	RL34,T4,PAINT ZN	1	SA	A0705
9	6002-001184	SCREW-TAPPING	FH,+,-,1,M4,L12,ZPC(WHT),S	1	SNA	G0412
10	DA61-03688A	HINGE-MID	W07,SCP1,T4,-,-,-,-,PAINT Cr	1	SA	A0831
11	DA60-10124A	SCREW-HEX	HWH,-,-,M6,L16,ZPC(WHT,YEL),SW	3	SNA	T0072
12	DA61-04391A	REINF CABI LEG	SBS,2007GVE,SCP1,T1.5	1	SA	0
13	DA61-02049A	FIXER-SCREW	SSEC,ZPC(WHT),BOLT,6*16	4	SNA	0
14	DA61-00851A	LEG-FRONT	BCD-230FBN,PP+MSWR10	2	SA	Z1128
15	DA97-05489A	ASSY HINGE LOW	RL34,T3,-,-,-,-,PAINT ZN	1	SA	A0515
16	DA61-02972A	FIXER HINGE-LOW	CTA,FE1018,M5,L10,-,-	1	SNA	0
17	DA61-03673A	STOPPER HINGE-LOW	W07,POM,-,-,-,-,-	1	SNA	0
18	DA90-04051A	ASSY BASE COMP	RL34,SGCC,T1	1	SA	Z1148
19	DA92-00283A	ASSY PCB MAIN	SEGMENT,W07 MAIN PBA,127*1	1	SA	A0952
20	DA63-03794D	COVER PCB-MAIN	W07,ABS,T2,5VA,ANTI-BURNI	1	SA	Z1143
21	6002-001341	SCREW-TAPPING	BH,+,-,1,M4,L16,DACRO,SWRC	1	SNA	G0412
22	6006-001170	SCREW-TAPPING	TH,+,-,WT,TC,M4,L10,ZPC(WHT)	2	SNA	G0412
23	DA73-00050G	PIPE-CONN	TP2(M),ID5.15,OD6.35,T0.6	1	SA	0
24	DA63-01834E	TRAY WATER-DRAIN	W07,2010GVE,PP,BLACK,RE	1	SA	Z1150
25	DA97-10583A	ASSY CASE JUNCTION	W07,EE,LED LAMP,UCP2	1	SA	A0249
25-1	6501-000123	CABLE TIE	DACT-140,-,3.6,146,WHT(NTR),NY	1	SNA	0
25-2	DA26-00044A	TRANS POWER	RL34E,240V,16V,0.45A,48	1	SA	Z1149
25-3	DA39-00196C	CBF-POWER CORD	EU,UCP-2,STRIP & RING TER	1	SA	A0273
25-4	DA39-00282S	WIRE HARNESS-RELAY	SSEC-E,EE,SAMSUNG COM	1	SNA	A0574
25-5	DA61-03682C	CASE JUNCTION	W07,ABS,TC100V,5VA,big cap	1	SA	A0250
26	DA60-10130B	SCREW-TAPPING	TH,-,-,M4.2,L13,ZPC(WHT),S	5	SNA	G0412
27	DA60-20008A	BOLT-HEX	SWCH45K,WHITE,ZPC	4	SA	A0564
28	DA35-00103D	RELAY-PTC THERMISOR	PTHTM330MD3,33ohm 38	1	SA	M0206
29	DA34-10004A	RELAY PROTECTOR O/L	4TM189PHBYY-53,ST 5.	1	SA	A0575
30	MSE4A0QL1U/ CF1	COMPRESSOR	RSCR,10.68CC,220-240V,STAITC	1	SA	0
31	DA63-02617A	GROMMET COMP	USP05,EPDM,OD27.0,BLACK	4	SA	Z1112
32	DA63-04553A	COVER RELAY	N300X,T2.1,V-0,5VA,SSEC,BLAC	1	SNA	Z1032
33	DA61-03679A	CASE PCB-MAIN	W07,HIPS,ANTI-BURNING,-,-,	1	SA	A1122
34	6006-001170	SCREW-TAPPING	TH,+,-,WT,TC,M4,L10,ZPC(WHT)	2	SNA	G0412

