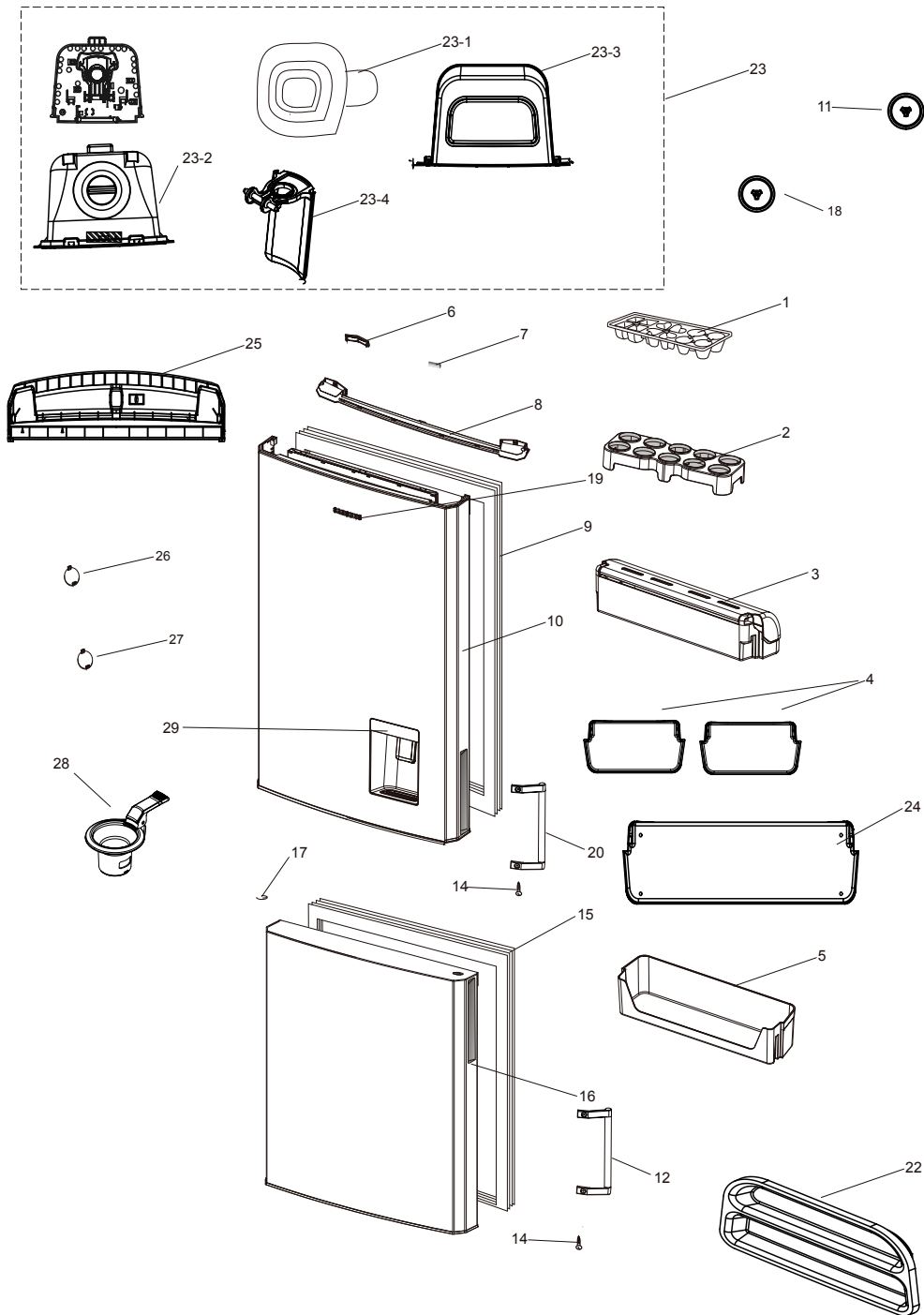


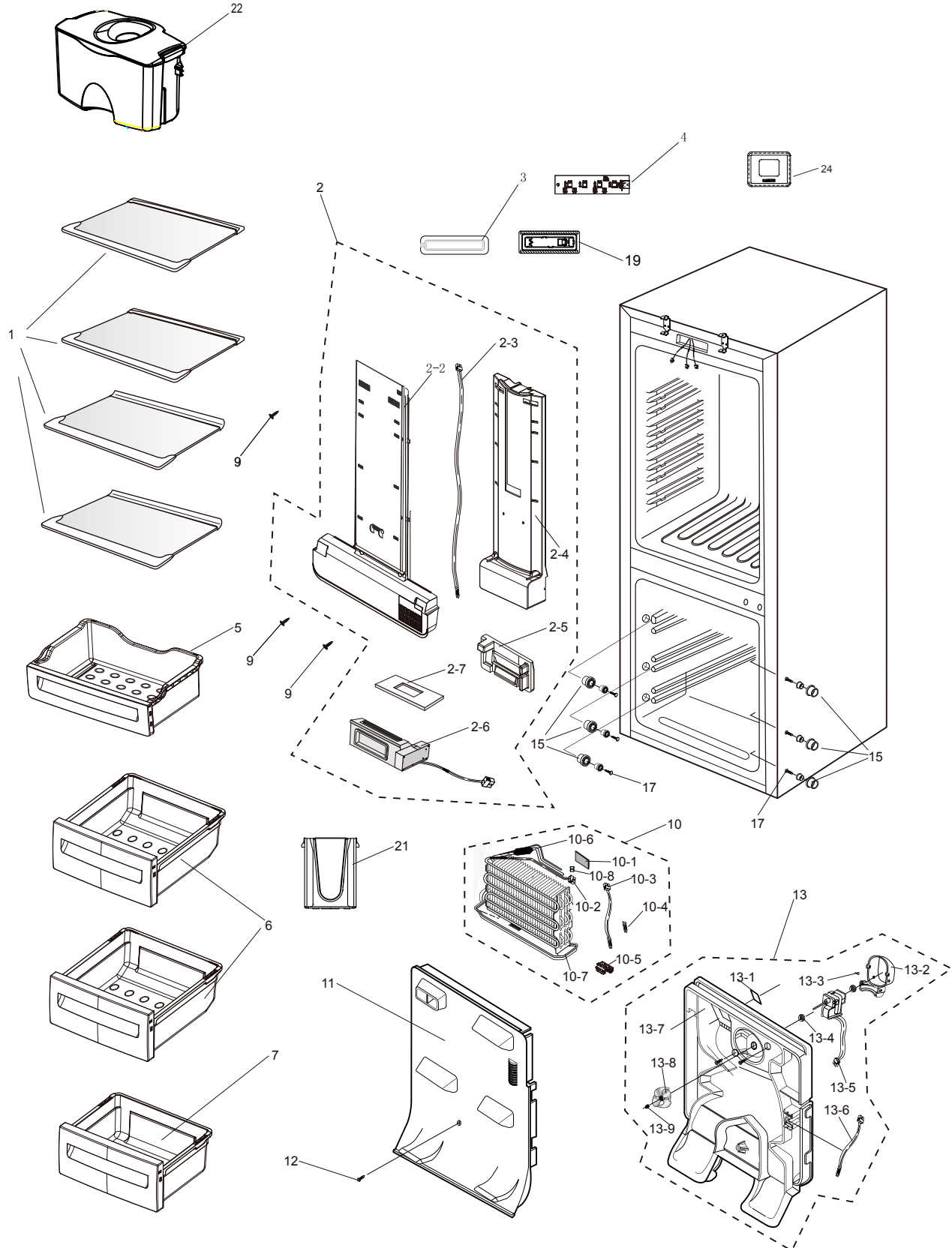
EXPLODED VIEW PART LIST

Door



EXPLODED VIEW PART LIST

Fridge and Freezer



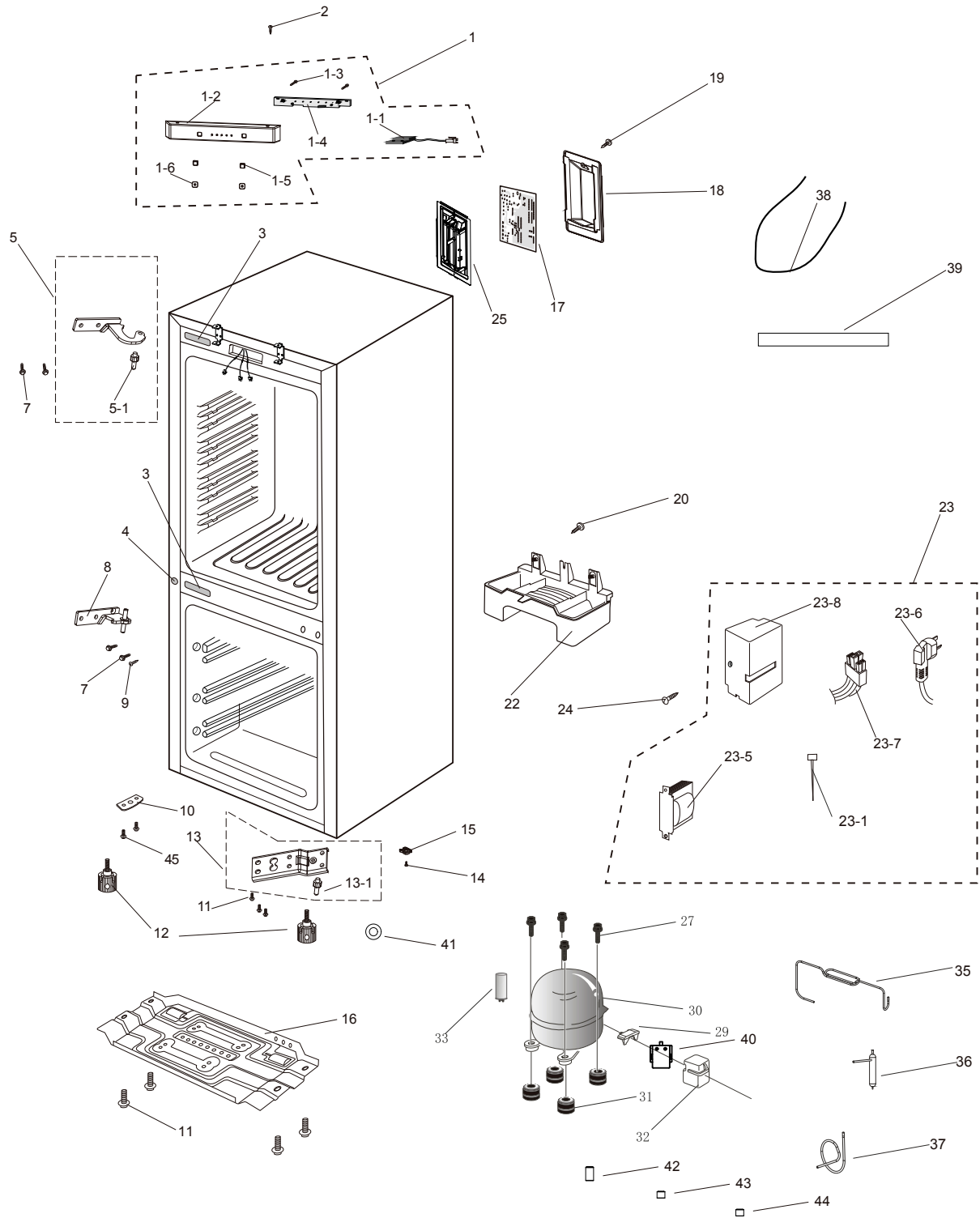
EXPLODED VIEW PART LIST

• Parts List of Fridge and Freezer

NO	CODE NO	PART NAME	Specification	Quantity	SA/SNA	SVC NO
1	DA97-05405B	ASSY SHELF REF	W07, GLASS+PP	4	SA	A0185
2	DA97-10598A	ASSY COVER MULTI	W07, RL40	1	SA	0
2-2	DA63-05682A	COVER-MULTI REF	W07, RL40, PP, W91527, M1600	1	SA	A0689
2-3	DA32-00012F	SENSOR TEMP	DKST1329, W07, -, -, -, -, REF, -, -	1	SA	A1018
2-4	DA62-01841A	INSULATION-MULTI REF A	W07, RL40, FOAM-PS	1	SNA	0
2-5	DA62-01843A	INSULATION-MULTI REF B	W07, RL40Z, FOAM-PS	1	SNA	0
2-6	DA31-00218B	MOTOR DC-DAMPER	-, -, -, DC12V, Max60mA, -, -, -	1	SA	G0242
2-7	DA62-01637C	SEAL-COVER MULTI LOW	W07, AOPUSAILUO, OJC-	1	SNA	0
3	DA63-05460B	COVER LAMP	SUPER STAR, GPPS, W35, L145, tran	1	SA	A0280
4	DA41-00675J	ASSY PCB KIT	110*20mm, CEM-1	1	SA	Z1144
5	DA97-05408B	ASSY TRAY-LOW	W07, -, -, -, -, GPPS+PP, FILM	1	SA	A0013
6	DA97-05407B	ASSY TRAY-UP	W07, -, -, -, -, GPPS+PP, FILM	2	SA	A0015
7	DA97-05406A	ASSY TRAY-VEG	W07, GPPS+PP, film	1	SA	A0018
9	6002-001341	SCREW-TAPPING	BH, +, -, 1, M4, L16, DACRO, SWRC	3	SNA	G0412
10	DA96-00401P	ASSY EVAP-FRE	W07, 240V, 50Hz, PL	1	SA	A0163
10-1	DA72-00088A	SEAL-BUTYL RUBBER	C-P, BUTYL-RUBBER, -, T3,	1	SNA	0
10-2	DA47-00263F	HEATER DEFROST	W07, 250W, 240V	1	SA	A0753
10-3	DA47-00138F	THERMO FUSE-ASSY	W07-PJT, G4A01, 77C, 250V,	1	SC	A1008
10-4	DA32-00012K	SENSOR TEMP	DKST1329, W07, -, -, -, -, REF, -, -	1	SA	A1018
10-5	DA61-03716A	FIXER-SENSOR EVAP	W07, PP, -, -, -	1	SNA	M9009
10-6	DA59-00364A	EVAP FRE	W07-PJT, -, AL, -, -, -, -, -, -	1	SNA	A0742
10-7	DA67-00979B	DRAIN EVAP-FRE	W07-PJT, GALVA, T0.35	1	SNA	0
11	DA97-05485D	ASSY COVER EVAP-FRONT	W07, IMPROVE ENERGY	1	SA	A0661
12	6002-001341	SCREW-TAPPING	BH, +, -, 1, M4, L16, DACRO, SWRC	1	SNA	G0412
13	DA97-05993Q	ASSY COVER EVAP-REAR	W07, 240V	1	SA	A0667
13-1	DA62-01090B	SEAL DUCT	RL33, EPDM, BLACK, T8, W93, L95, -	1	SNA	0
13-2	DA61-01441A	CASE-MOTOR	BCD-290, PP, -, -, -, NTR, -	1	SNA	0
13-3	DA63-40167A	GROMMET-COVER CHIL	SILICON, L16, WHITE	1	SNA	M2002
13-4	DA63-40115A	GROMMET-MOTOR	L20, SILICON-RUBBER, -, -, -, -	2	SNA	A0218
13-5	DA31-00197F	FAN-MOTOR AC	RL34E, PBT+GF, 5.7W, LIUSHENG,	1	SNA	Z1139
13-6	DA32-00012L	SENSOR TEMP	DKST1329, W07, -, -, -, -, REF, -, -	1	SA	A1018
13-7	DA63-03787B	COVER EVAP-REAR	W07, PP, NTR, IMPROVE ENER	1	SNA	G0236
13-8	DA31-00019A	FAN-PROPELLER	-, SR-32, 35, NTR, -, -, -, -	1	SA	Z1138
13-9	DA61-20128A	SPRING ETC-FAN	STS304, PI8.8, ID7.8, OD9.8,	1	SNA	A0768
15	DA66-00825A	ROLLER-TRAY	W07, POM	6	SA	Z1140
17	6002-001341	SCREW-TAPPING	BH, +, -, 1, M4, L16, DACRO, SWRC	6	SNA	G0412
19	DA97-08671B	ASSY CASE LAMP	CC-PJT, ASSY NTR	1	SA	A0189
21	DA63-05574A	COVER-FIXER-HOUSING	W07, SGCC, T0.4, L46	1	SA	Z1137
22	DA97-06749A	ASSY TANK WATER-REF	W07-PJT, RL40W, -, -, -, -	1	SA	Z1147
24	DA97-00713C	ASSY-THERMO GUIDE	XEF, THERMO, COOL WHITE	1	SA	E0010

EXPLODED VIEW PART LIST

Overall Assembly



EXPLODED VIEW PART LIST

• Parts List of Overall Assembly

NO	CODE NO	PART NAME	Specification	Quantity	SA/SNA	SVC NO
1	DA90-04803B	ASSY COVER TOP-FRONT	W07,SEMI,,,PS,	1	SA	Z1141
1-1	DA34-00046B	SWITCH-REED	KYESH,JST,200V,0.5A,DC,L90	1	SA	Z1142
1-2	DA63-03792B	COVER TOP-FRONT	W07,ABS,SC-03186R,SEMI,L	1	SNA	A0820
1-3	6002-001341	SCREW-TAPPING	BH,+,-,1,M4,L16,DACRO,SWRC	1	SNA	G0412
1-4	DA41-00483A	ASSY PCB KIT LED	W07,LED	1	SA	G0069
1-5	DA63-03804A	GROMMET-BUTTON SELECT	W07,RUBBER,-,-,-,-	2	SNA	0
1-6	DA64-02262B	BUTTON-SELECT	W07,ABS,SC-03186R,LG-121h,	2	SNA	0
2	6002-001341	SCREW-TAPPING	BH,+,-,1,M4,L16,DACRO,SWRC	1	SNA	G0412
3	DA67-01798A	CAP-HINGE HOLE	W07,ABS,T2,-,-,-,-	2	SNA	A0549
4	DA67-00429G	CAP-SCREW	CTA,PP,-,-,-,H05N19B5/L,-	1	SNA	A0270
5	DA97-05488D	ASSY HINGE UPP	RL34,T4,PAINT ZN	1	SA	A0705
5-1	DA66-00500A	SHAFT HINGE	W07,SM45C,-,-,-,-,M6	1	SNA	0
7	DA60-10124A	SCREW-HEX	HWH,-,-,M6,L16,ZPC(WHT,YEL),SW	4	SNA	T0072
8	DA61-03688A	HINGE-MID	W07,SCP1,T4,-,-,-,-,PAINT Cr	1	SA	A0831
9	6002-001184	SCREW-TAPPING	FH,+,-,1,M4,L12,ZPC(WHT),S	1	SNA	G0412
10	DA61-04391A	REINF CABI LEG	SBS,2007GVE,SCP1,T1.5	1	SA	0
11	DA60-10124A	SCREW-HEX	HWH,-,-,M6,L16,ZPC(WHT,YEL),SW	7	SNA	T0072
12	DA61-00851A	LEG-FRONT	BCD-230FBN,PP+MSWR10	2	SA	Z1128
13	DA97-05489A	ASSY HINGE LOW	RL34,T3,-,-,-,-,PAINT ZN	1	SA	A0515
13-1	DA66-00500A	SHAFT HINGE	W07,SM45C,-,-,-,-,M6	1	SNA	0
14	DA61-02972A	FIXER HINGE-LOW	CTA,FE1018,M5,L10,-,-	1	SNA	0
15	DA61-03673A	STOPPER HINGE-LOW	W07,POM,-,-,-,-,-	1	SNA	0
16	DA90-04051A	ASSY BASE COMP	RL34,SGCC,T1	1	SA	Z1148
17	DA92-00280A	ASSY PCB MAIN	SEMI,W07,127*100mm	1	SA	A0952
18	DA63-03794D	COVER PCB-MAIN	W07,ABS,T2,5VA,ANTI-BURNI	1	SA	Z1143
19	6002-001341	SCREW-TAPPING	BH,+,-,1,M4,L16,DACRO,SWRC	1	SNA	G0412
20	DA60-10130B	SCREW-TAPPING	TH,-,-,M4.2,L13,ZPC(WHT),S	1	SNA	G0412
22	DA63-01834E	TRAY WATER-DRAIN	W07,2010GVE,PP,BLACK,RE	1	SA	Z1150
23	DA97-11908H	ASSY CASE JUNCTION	W07,electric,WITHOUT	1	SNA	A0249
23-1	6501-000124	CABLE TIE	DA-200,T1.2,W4.5,L213.2,NTR,NY	2	SNA	0
23-5	DA26-00036A	TRANS POWER	-,W07,-,-,240V,16V,0.35A,-,5	1	SA	Z1149
23-6	DA96-00795A	ASSY POWER CORD	UCP-2,EUROPE,16A,H05VV-F	1	SNA	Z1187
23-7	DA39-00497B	WIRE HARNESS-RELAY	W07,machine,without c	1	SNA	A0574
23-8	DA61-07593A	CASE JUNCTION	W07 NEW,ABS,NTR,5VA,big ca	1	SNA	A0250
24	DA60-10130B	SCREW-TAPPING	TH,-,-,M4.2,L13,ZPC(WHT),S	1	SNA	G0412
25	DA61-03679A	CASE PCB-MAIN	W07,HIPS,ANTI-BURNING,-,-,	1	SA	A1122
27	DA60-20008A	BOLT-HEX	SWCH45K,WHITE,ZPC	4	SA	A0564
29	DA34-10004A	RELAY PROTECTOR O/L	4TM189PHBYY-53,ST 5.	1	SA	A0575
30	MSA4A1QL1B/ CF1	COMPRESSOR	VH-MODEL,NY-6,ID8.5,OD16,T1	1	SA	0

