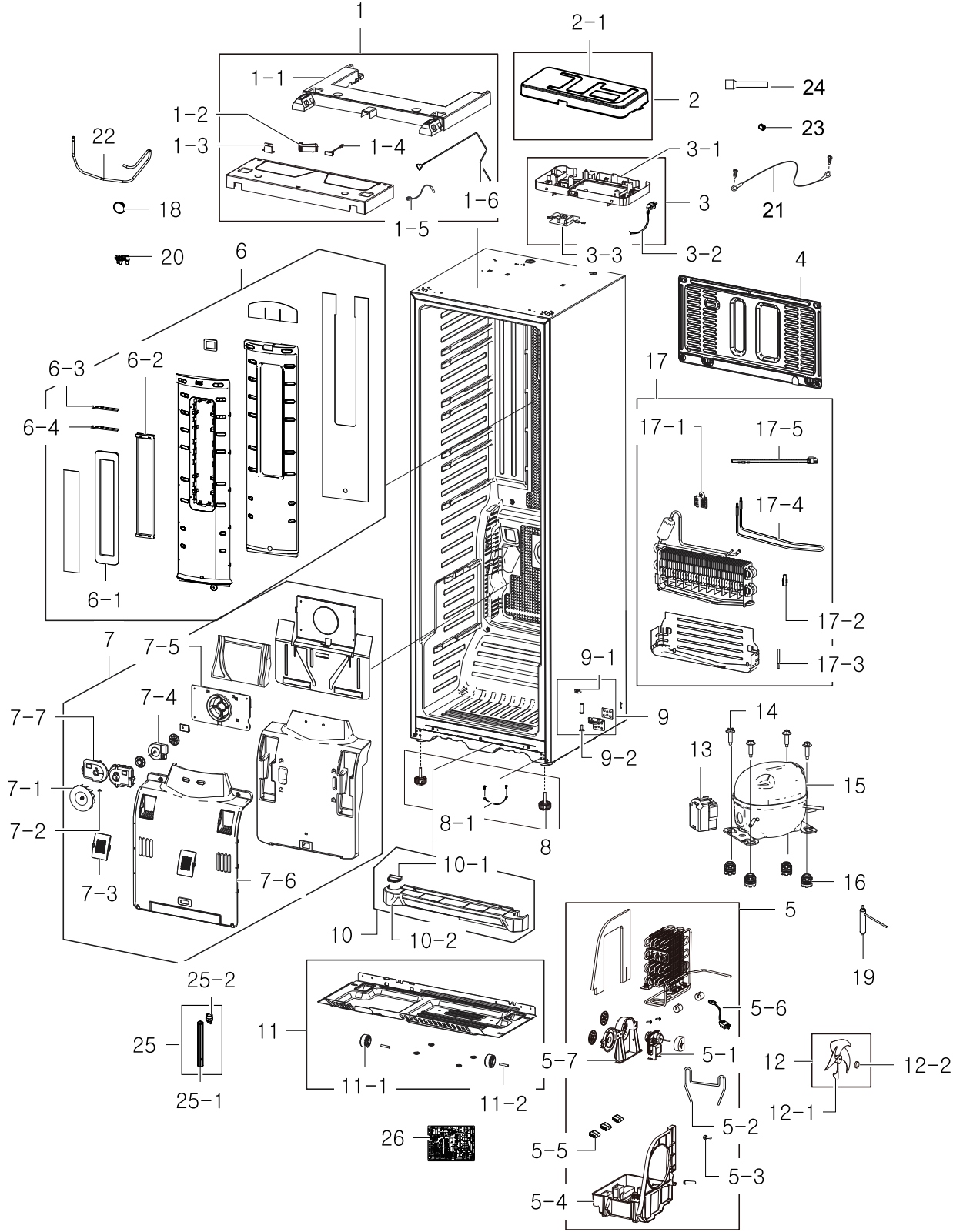


1. Fridge

Exploded View



Parts List

No.	Lvl.	Loc.	Material Code	Description & Specification	SNA	Qty.
1	2	RO284	DA97-11921A	ASSY TOP-TABLE; TWIN,ASSY,Snow White(SC-9	SA	1
1-1	3	RO275	DA64-04001A	TOP TABLE-REAR; TWIN,ABS,SNOW-WHITE,SC-97	SA	1
1-2	3	RO454	DA63-04855A	COVER-WIRE HINGE L; TWIN-PJT,PP,T1.8,SNOW	SA	1
1-3	3	RO184	DA67-02269A	CAP-TOP TABLE; TWIN,ABS,SNOW WHITE,SC-975	SA	1
1-4	3	RY459	DA34-00043C	SWITCH REED-ASS'Y; 200VDC,1.5A,-	SA	1
1-5	3	RR347	DA32-10109X	SENSOR TEMP; PX-41C,502AT-2,A-TOP,-,5V,-,	SC	1
1-6	3	RO200	DA96-00285P	ASSY W/HARNESS-CABI; TWIN-INVERTER,REF BA	SA	1
2	3	RO286	DA63-03020B	COVER PCB-PANEL; CORE-PJT,SBHG1,T0.5,-,-,	SA	1
2-1	3	RO286	DA63-03020B	COVER PCB-PANEL; CORE-PJT,SBHG1,T0.5,-,-,	SA	1
3	2	RO270	DA97-08449G	ASSY CASE-PBA MAIN; TWIN,ASSY,Fridge(XSA)	SA	1
3-1	3	RO285	DA61-05371B	CASE-PCB PANEL; TWIN,ABS,NATURAL,VH-0815,	SA	1
3-2	3	RK076	DA39-10115D	CBF-POWER CORD; UCP-2,250V,10/16A,L2100,-	SA	1
3-3	3	RH083	DA27-00032A	COIL FILTER-EMI; 400L,8.0mH,60*82mm,BOX,S	SA	1
4	2	RH001	DA97-07461C	ASSY COVER COMP; TWIN-PJT,ASSY	SA	1
5	2	RH003	DA97-11922A	ASSY TRAY DRAIN WATER; TWIN	SA	1
5-1	3	RR088	DA31-00146B	MOTOR BLDC; DRCP5030LA,1550,DC12V,230mA,-	SC	1
5-2	3	RH067	DA61-05424A	FIXER-PIPE TUBE; TWIN-PJT,AL	SA	1
5-3	3	RR066	DA63-40167A	GROMMET-COVER CHIL; SILICON,L16,WHITE	SA	1
5-4	3	RH885	DA63-04832B	TRAY DRAIN-WATER; TWIN-PJT,PP SCRAP,Non C	SA	1
5-5	3	RH054	DA63-04424A	GROMMET-COND SUB; GUGGENHEIM,NBR,-,-,-,-,	SA	3
5-6	3	RY713	DA39-00060F	WIRE HARNESS-MOTOR; -,-,-,-,-,-,C-FAN(BLD	SA	1
5-7	3		DA61-03653A	BRACKET-MOTOR; TD-PJT,PP(BJ-730),-,-,-,-,NT	SA	1
6	2	RG173	DA97-07475D	ASSY COVER MULTI-REF LED; TWIN_35, LED,PP	SA	1
6-1	3	RI499	DA67-02221A	CAP-LAMP LED REF; TWIN-PJT,PP,-,-,-,-,NTR,B	SA	1
6-2	3	RF515	DA63-04854A	COVER-LAMP LED; TWIN-PJT,GPPS,-,-,-,-,-,-	SA	1
6-3	3	RK390	DA41-00519F	PBA-LED LAMP; 12V,65*10*1.6T ,3EA,100mm,T	SA	1
6-4	3	RK391	DA41-00519G	PBA-LED LAMP; 12V,65*10*1.6T,TWIN	SA	1
7	2	RI008	DA97-07385E	ASSY COVER EVAP-REF; TWIN-PJT,BLDC,220V~2	SA	1

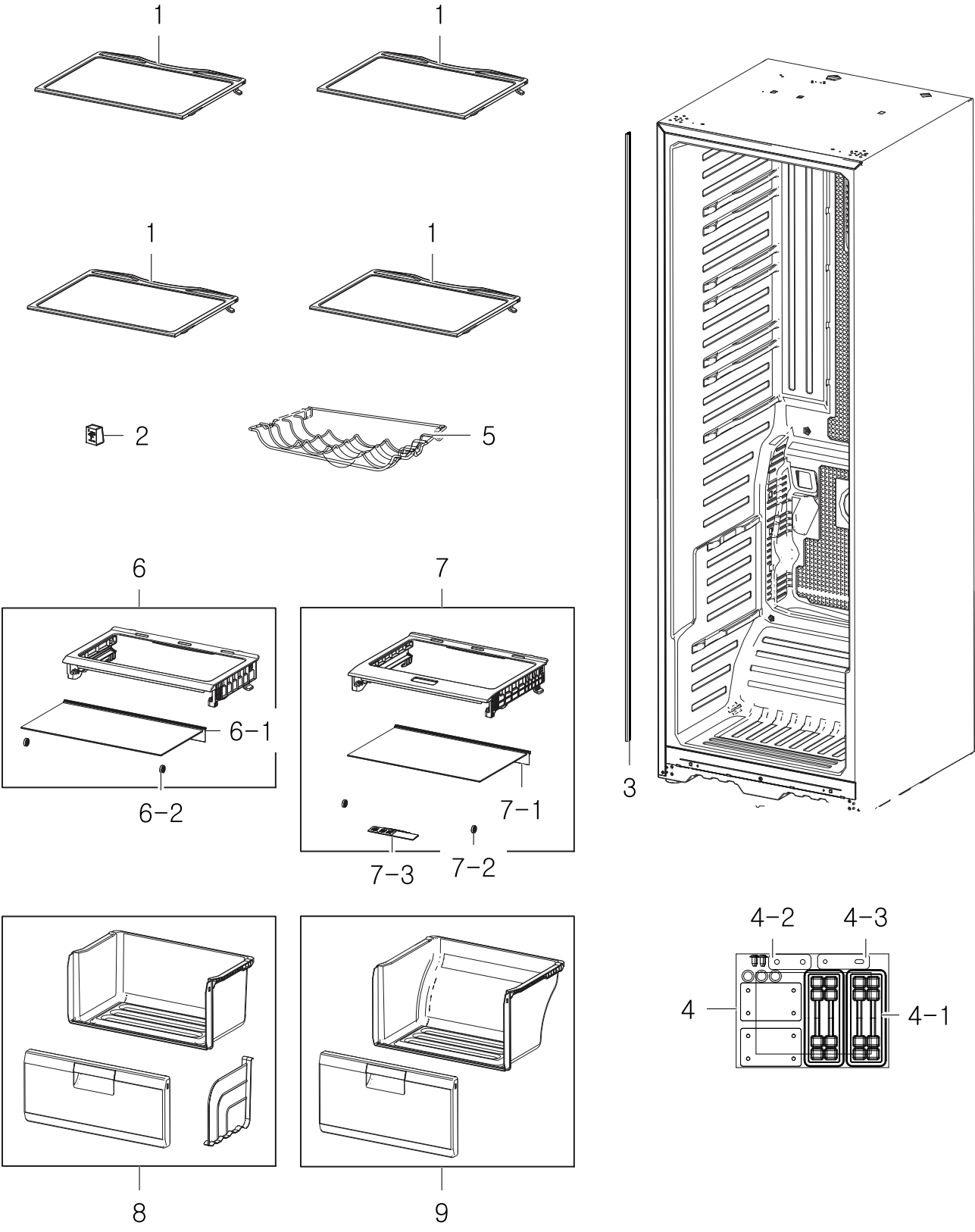
No.	Lvl.	Loc.	Material Code	Description & Specification	SNA	Qty.
7-1	3	RK183	DA31-00123A	FAN-BACKWARD; USP 05,ABS,HP0760/2.0mmAq/0	SC	1
7-2	3	RR053	DA61-20128A	SPRING ETC-FAN; STS304,PI8.8,ID7.8,OD9.8,	SA	1
7-3	3	RI500	DA63-02707A	COVER-PURIFIER; NEXT,PP,-,-,-,-,SC-0274	SA	1
7-4	3	RF431	DA31-00146E	MOTOR FAN-BLDC; DREP5020LB,0.267,3.2,2520	SA	1
7-5	3	RY172	DA61-00417A	CASE MOTOR; A-TOP,ABS,-,-,-,NTR,SBS	SA	1
7-6	3	RG175	DA63-04847A	COVER-EVAP REF; TWIN-PJT,PP,-,-,-,-,COO	SA	1
7-7	3	RF455	DA63-01809B	COVER MOTOR-BLDC; AT,PP,NTR,CNTK-P-100,PP	SA	1
8	3	RO100	DA61-00805F	FOOT-FRONT; REF-ALL,PP+MSWR10,BLACK,PP_S	SA	2
8-1	3	RK925	DA39-00429A	WIRE HARNESS-EARTH; YellowGreen,ST710489-	SC	1
9	2	RO038	DA97-07375A	ASSY HINGE LOW-R; TWIN-PJT,RIGHT	SA	1
9-1	3	RR981	DA66-00401A	CAM-RISER; SAPPHIRE-PJT,NY-66,BLACK,2110R	SA	1
9-2	3	RR332	6009-001548	SCREW-SPECIAL; FH,HEX,-,M6,L20,ZPC3(WHT),	SA	1
10	2	RO003	DA97-07462A	ASSY COVER LEG FRONT; TWIN-PJT,PP,SNOW WH	SA	1
10-1	3	RO261	DA67-02216A	CAP-HINGE LOW; TWIN-PJT,PP,SNOW WHITE	SA	1
10-2	3	RO287	DA63-04830A	COVER LEG-FRONT; TWIN-PJT,PP,SNOW WHITE,S	SA	1
11	2	RO002	DA97-07465A	ASSY CHASSIS-COMP; TWIN-PJT,SBHG1,T1.0,-,	SA	1
11-1	3	RR242	DA61-40126B	CASTER-REAR; REF-ALL,PP,NATURAL	SC	2
11-2	3	RH064	DA60-90146A	PIN-CASTER; SR-289-429,MSWR10,OD6.0,L38,Z	SA	2
12	2	RI085	DA31-00010B	FAN-ASSY; -,P,S-P/J,ASSY,-,UNIT,120	SA	1
12-1	3	RG064	DA31-20102C	FAN SIROCCO; -,P,S-P/J,ABS,-,UNIT,120,HR0	SA	1
12-2	3	RR053	DA61-20128A	SPRING ETC-FAN; STS304,PI8.8,ID7.8,OD9.8,	SA	1
13	2		DA63-06122A	COVER-RELAY; MSV,N300X,T2.1,BLACK	SA	1
14	3	RH043	DA62-20008A	TUBE-SHRINKAGE; SR-L5786,PVC,T0.25,ID5.0,	SNA	2
15	2		MSV488AL1R/E01	COMPRESSOR,BLDC IPM,8.82CC,115/220V,STAI; COMPRESSOR,BLDC IPM,8.82CC,115/220V,STAI	SA	1
16	2	RH732	DA63-02617A	GROMMET COMP; USP05,EPDM,OD27.0,BLACK	SA	4
17	2	RI016	DA96-00569J	ASSY EVAP-REF; TWIN,230V,110W	SA	1
17-1	3	RK215	DA61-00603A	FIXER-SENSOR; n-PJT,PP,-,-,-	SA	1
17-2	3	RU391	DA61-06809A	FIXER-HEATER; TWIN-PJT,PP,NTR	SA	1

Exploded Views and Parts List

No.	Lvl.	Loc.	Material Code	Description & Specification	SNA	Qty.
17-3	3	RF089	DA32-00006L	SENSOR TEMP-DEF SENSOR; PX41C,TD-PJT,TGV2	SC	1
17-4	3	RF205	DA47-00299A	HEATER-METAL SHEATH REF; TWIN REF,110W,23	SA	1
17-5	3	RR342	DA47-00301F	THERMO FUSE-ASSY; TWIN,250V,10A,109~110	SA	1
18	2	RK037	DA67-30266K	CAP-SCREW; A-TOP,PP,SC-02740R,-,-,Cool-wh	SA	2
19	2	RH044	DA62-04309C	DRYER; C1220T,6	SA	1
20	2	RO354	DA34-00004B	RELAY PROTECTOR O/L; BK190GL2C,S/T_11.4A,	SA	1
21	2	RK934	DA39-20389L	WIRE HARNESS-EARTH; 1,YELLOW/GREEN,ST 710	SC	1
22	2	RH085	DA62-03415A	PIPE-CONNECT SUCTION; TWIN-PJT,C1220T-0,O	SA	1
23	2	RX042	DA63-40171D	GROMMET-SUCT PIPE B; RAIL L20,NR,ID5.5,OD	SA	1
24	2	RH026	DA73-10190U	PIPE-CONNECT DISC,B; TD-PJT,C1220-T,OD6.3	SA	1
25	2	RR859	DA97-06589A	ASSY TUBE-DRAIN; MT-PJT,SOFT-PVC,NBR(BLAC	SA	1
25-1	3	RK899	DA62-01265A	TUBE-PVC; W2-PJT,SF-PVC,T0.7,OD20.2,L206,	SA	1
25-2	3	RO162	DA63-00951C	GROMMET-DRAIN HOSE; V2-PJT,NBR,BLACK	SA	1
26	1	RY475	DA92-00245A	ASSY PCB MAIN; 12V,5V,LED DISPLAY,TWIN-PJ	SA	1

2. Fridge2

Exploded View

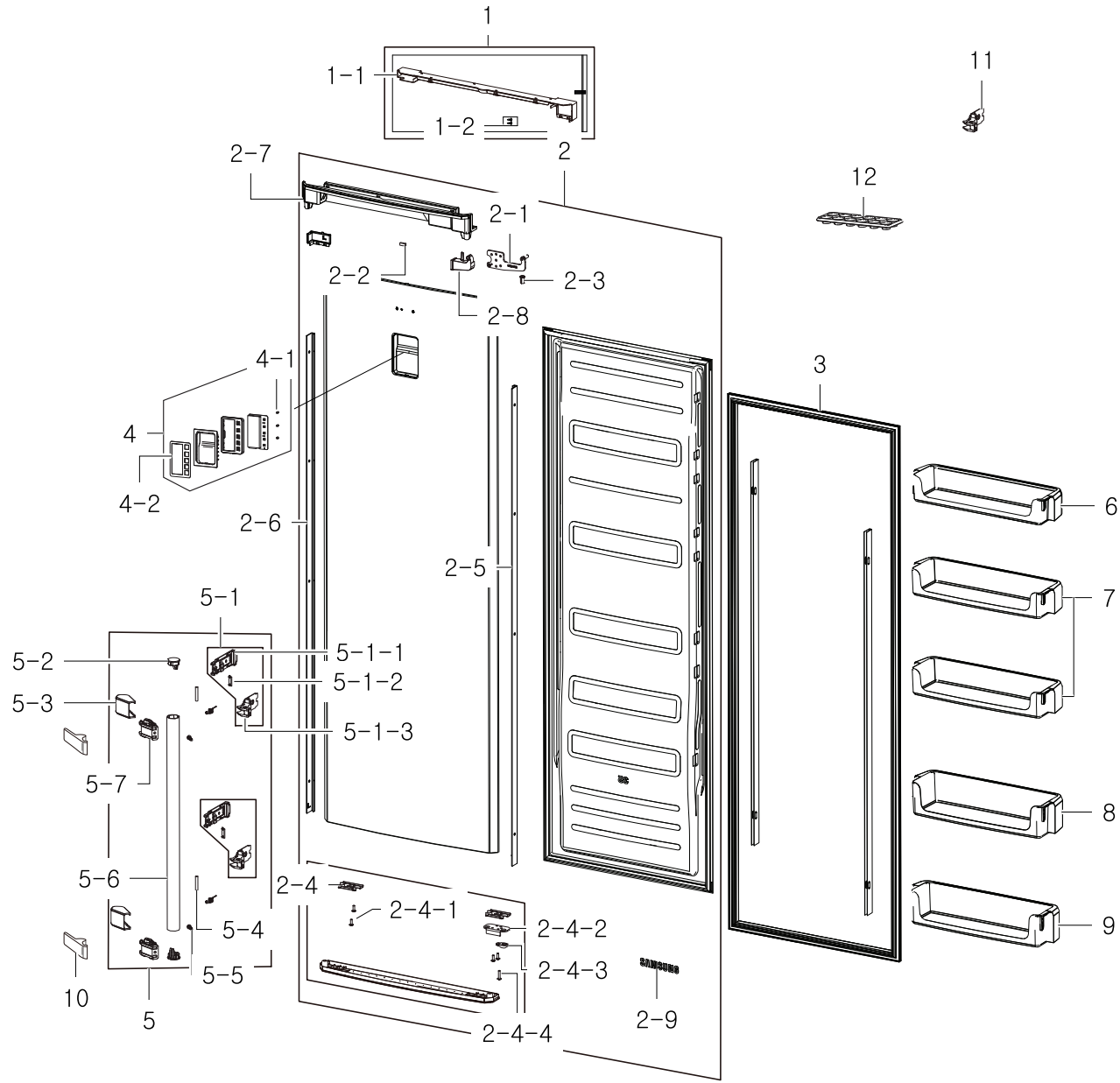


Parts List

No.	Lvl.	Loc.	Material Code	Description & Specification	SNA	Qty.
1	2	RI650	DA67-01446B	SHELF REF; CORE(NORMAL),PP+GLASS,-,W365.4	SA	4
2	2	RI222	DA63-02902B	COVER-FIXER HOUSING V; NEXT-PJT,GALVA,T0.	SA	1
3	2	RO341	DA61-05433N	FIXER-JOINING STRIP; TWIN,ABS,SNOW-WHITE(SA	1
4	2	RO336	DA97-07991A	ASSY INS-FIXER; TWIN-PJT	SA	1
4-1	3	RO337	DA61-05413A	FIXER; TWIN,NBR,T3.0,NTR	SA	2
4-2	3	RO338	DA97-07990A	ASSY-FIXER LOW; TWIN-PJT	SA	1
4-3	3	RO340	DA61-05611A	FIXER-BACK; TWIN-PJT,SGCC1,NTR	SA	1
5	2	RI160	DA75-00243A	RACK-WINE; CORE-PJT,MSWR70,OD6.0,PE-COATI	SA	1
6	2	RI041	DA97-07454B	ASSY SHELF REF-UPP; TWIN-PJT,SOURCING GLA	SA	1
6-1	3	RE046	DA64-02885A	TRIM-PLATE ABSORBER; TWIN-PJT,ABS+PVC,P-1	SA	1
6-2	3		DA66-00690A	ROLLER-SHELF; TWIN,POM,22,NTR	SA	2
7	2	RI039	DA97-07455C	ASSY SHELF REF-LOW; TWIN-PJT,SOURCING GLA	SA	1
7-1	3	RE046	DA64-02885A	TRIM-PLATE ABSORBER; TWIN-PJT,ABS+PVC,P-1	SA	1
7-2	3		DA66-00690A	ROLLER-SHELF; TWIN,POM,22,NTR	SA	2
7-3	3	RI262	DA64-02860A	KNOB-HUMIDITY; TWIN,ABS,T2.0,W155.9 D36.0	SA	1
8	2	RI002	DA97-07399C	ASSY CASE-VEG UPP; TWIN-PJT,Normal	SA	1
9	2	RI001	DA97-07400A	ASSY CASE-VEG LOW; TWIN-PJT,-,-,-,NORMA	SA	1

3. Water Dispenser Door

Exploded View



Parts List

No.	Lvl.	Loc.	Material Code	Description & Specification	SNA	Qty.
1	2	RO271	DA97-08050A	ASSY COVER-WIRE DOOR R; TWIN-PJT,SNOW WHI	SA	1
1-1	3	RO274	DA63-04851A	COVER-WIRE DOOR R; TWIN-PJT,ABS,SNOW WHIT	SC	1
1-2	3	RR986	DA67-00859E	CAP-DOOR HANDLE; CORE,ABS,HG-0760GP,SNOW	SA	2
2	2	RE001	DA91-02851A	ASSY DOOR FOAM REF-E; TWIN-35,SNOW WHITE,	SA	1

Exploded Views and Parts List

No.	Lvl.	Loc.	Material Code	Description & Specification	SNA	Qty.
2-1	5	RO040	DA97-07376A	ASSY HINGE UPP; TWIN-PJT,-,-,-,-,-,-	SA	1
2-2	5	RY479	DA61-03769A	MAGNET-A; HERMES,-,5x7x18,-,-,1200Gauss	SA	1
2-3	5	RO116	DA63-04850A	GROMMET HINGE; TWIN-PJT,NY-66,T2.0,-,L20,	SNA	1
2-4	5	RE043	DA61-00776A	STOPPER DOOR; ES-PJT,SPCC,T3.0	SA	1
2-4-1	5	RR227	6001-000715	SCREW-MACHINE; TH,+,-,M5,L16,ZPC(WHT),SWR	SA	4
2-4-2	5	RE043	DA61-00776A	STOPPER DOOR; ES-PJT,SPCC,T3.0	SA	1
2-4-3	5	RO105	DA66-00344A	CAM-HINGE RISER LOW; USP05(ATOP,ET),NY-66	SC	1
2-4-4	5	RR007	6001-001377	SCREW-MACHINE; TH,+,-,M5,L25,ZPC(WHT),SWR	SA	2
2-5	4		DA61-05352A	REINF-PLATE DOOR R; TWIN-35,25,SHP1,L1550	SNA	1
2-6	4		DA61-05353A	REINF-PLATE DOOR L; TWIN-35,25,SHP1,L1550	SNA	1
2-7	5	RO511	DA67-02223A	CAP DOOR-UPP; TWIN-PJT,ABS,T2.0,SNOW WHIT	SNA	1
2-8	5	RO456	DA63-04849A	COVER-WIRE HINGE R; TWIN-PJT,PP,T1.8,SNOW	SA	1
2-9	3	RO716	DA64-04020B	MASCOT; ALL,NI,T0.05,L80	SA	1
3	2	RO756	DA97-07366G	ASSY-GASKET DOOR; TWIN-PJT(R35,F25),-,W53	SA	1
4	2	RE486	DA97-07381A	ASSY COVER-DISPLAY REF; TWIN-PJT,-,-,-,-,	SA	1
4-1	3	RR239	6002-000466	SCREW-TAPPING; PH,+,-,2S,M3,L8,ZPC(WHT),MSW	SA	3
4-2	3	RR558	DA41-00612A	ASSY PCB KIT LED; TWIN-PJT,DOOR REF,FR-1,	SA	1
5	2	RD210	DA97-08023A	ASSY HANDLE-EASY; TWIN-PJT,ASSY	SA	1
5-1	3	RO262	DA97-07907A	ASSY HANDLE-SUB EASY; TWIN-PJT,SNOW WHITE	SA	2
5-1-1	4	RD215	DA61-05174A	SLIDER-HANDLE; TWIN-PJT,POM,SNOW WHITE	SA	2
5-1-2	4	RO263	DA73-00238A	RUBBER-HANDLE; TWIN-PJT,SILICON,SNOW WHIT	SA	2
5-1-3	4	RE473	DA61-05173A	SUPPORT-HANDLE A; TWIN-PJT,ABS+PA,HB,HI70	SA	2
5-2	3	RK020	DA67-02024B	CAP-HANDLE SIDE; CORE,ABS,-,-,-,NTN,SILVE	SA	2
5-3	3	RD212	DA63-04929A	COVER-SUPT HANDLE FRONT; TWIN-PJT,ABS,SNO	SA	2
5-4	3	RD211	DA66-00664A	SHAFT-HANDLE; TWIN-PJT,STS304,L25.6,EASY	SA	2
5-5	3	RR331	6009-001512	SCREW-SPECIAL; BH,+,-,M4,L16,ZPC(WHT),SWR	SA	2

No.	Lvl.	Loc.	Material Code	Description & Specification	SNA	Qty.
5-6	3	RO391	DA64-03108A	HANDLE BAR; TWIN-PJT,AL,L422,NATURAL SILV	SA	1
5-7	3	RE476	DA61-05172A	SUPPORT-HANDLE B; TWIN-PJT,NY-66,SNOW WHI	SA	2
6	2	RE365	DA63-04872A	GUARD REF-UPP; TWIN-PJT,GPPS,NTR,168N	SA	1
7	2	RE057	DA63-04875A	GUARD REF-MID; TWIN-PJT,GPPS,NTR,168N	SA	2
8	2	RE343	DA63-04873A	GUARD BOTTLE; TWIN-PJT,GPPS,NTR,168N	SA	1
9	2	RE368	DA63-04874A	GUARD REF-LOW; TWIN-PJT,GPPS,NTR,168N	SA	1
10	2	RD213	DA63-04928A	COVER-SLIDER HANDLE; TWIN-PJT,ABS,SNOW WH	SA	2
11	6	RR377	DA66-00073C	SHAFT-WASHER, C; RD-PVC,SR-32,35,-,-,-,T1	SA	1
12	3	RE355	DA67-40297A	TRAY-EGG; SR-5056,GPPS,T2.5,-,-,-,-,-	SA	1