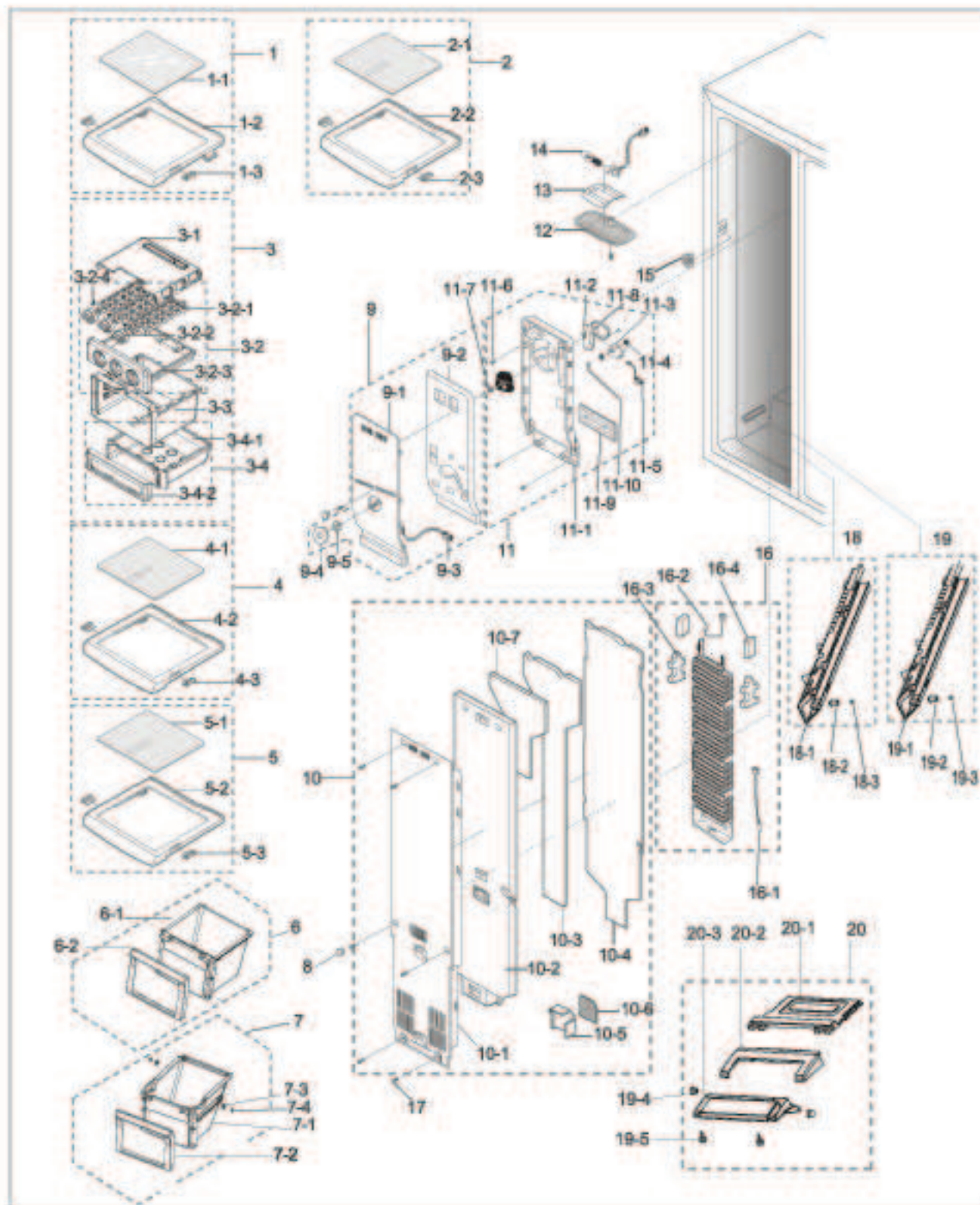
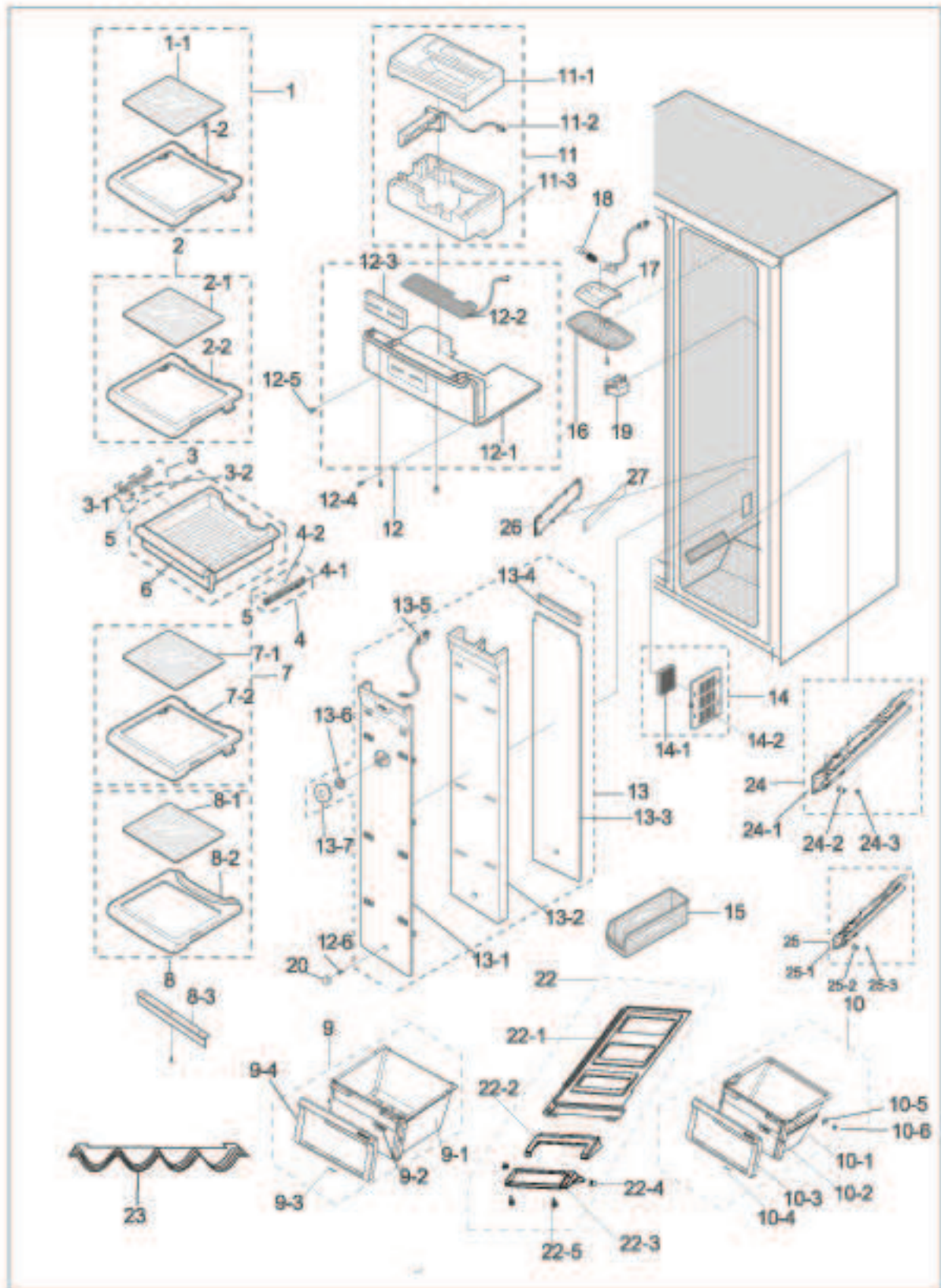


7. Exploded View And Parts List

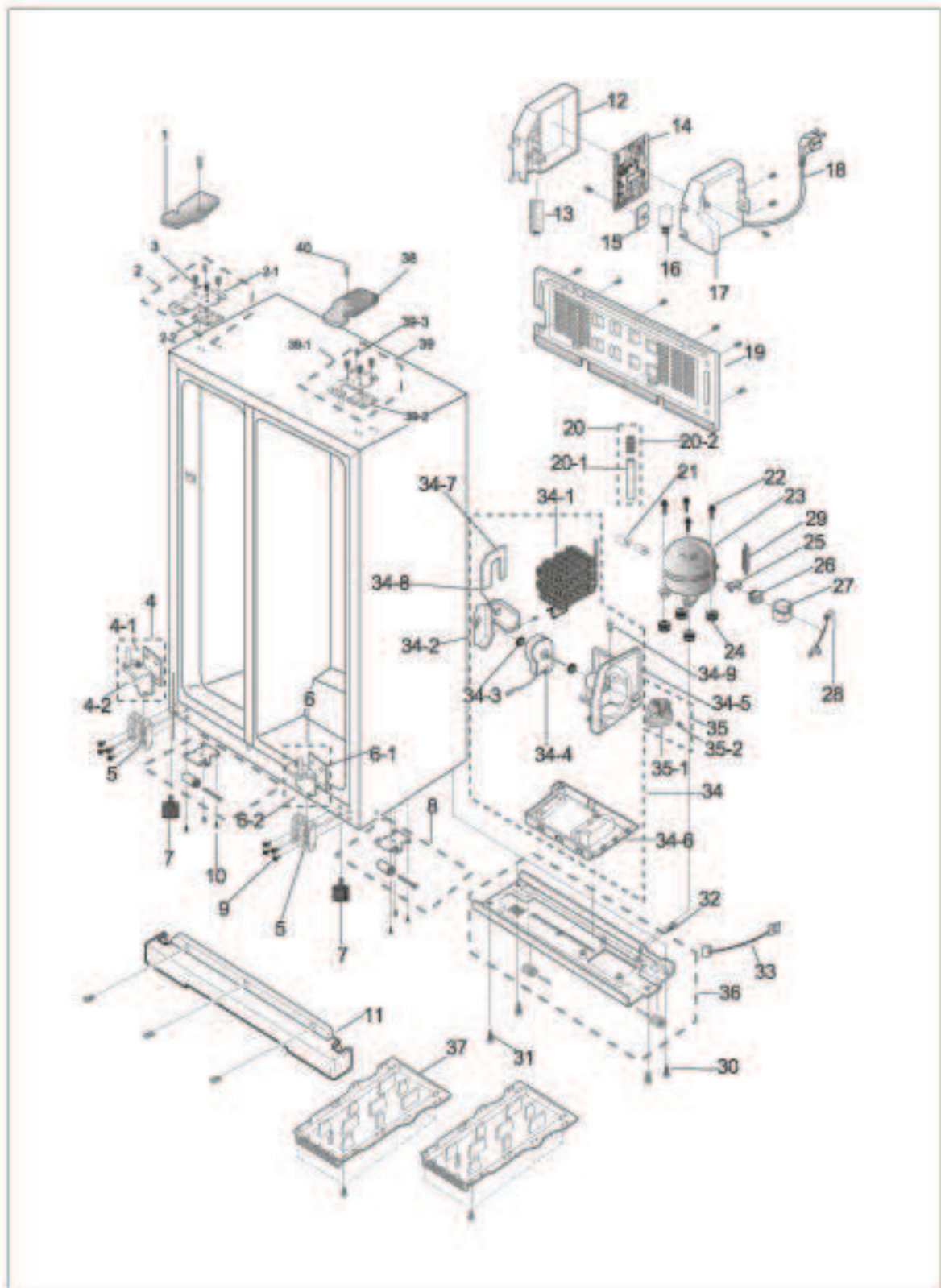
7-1. Freezer Parts List



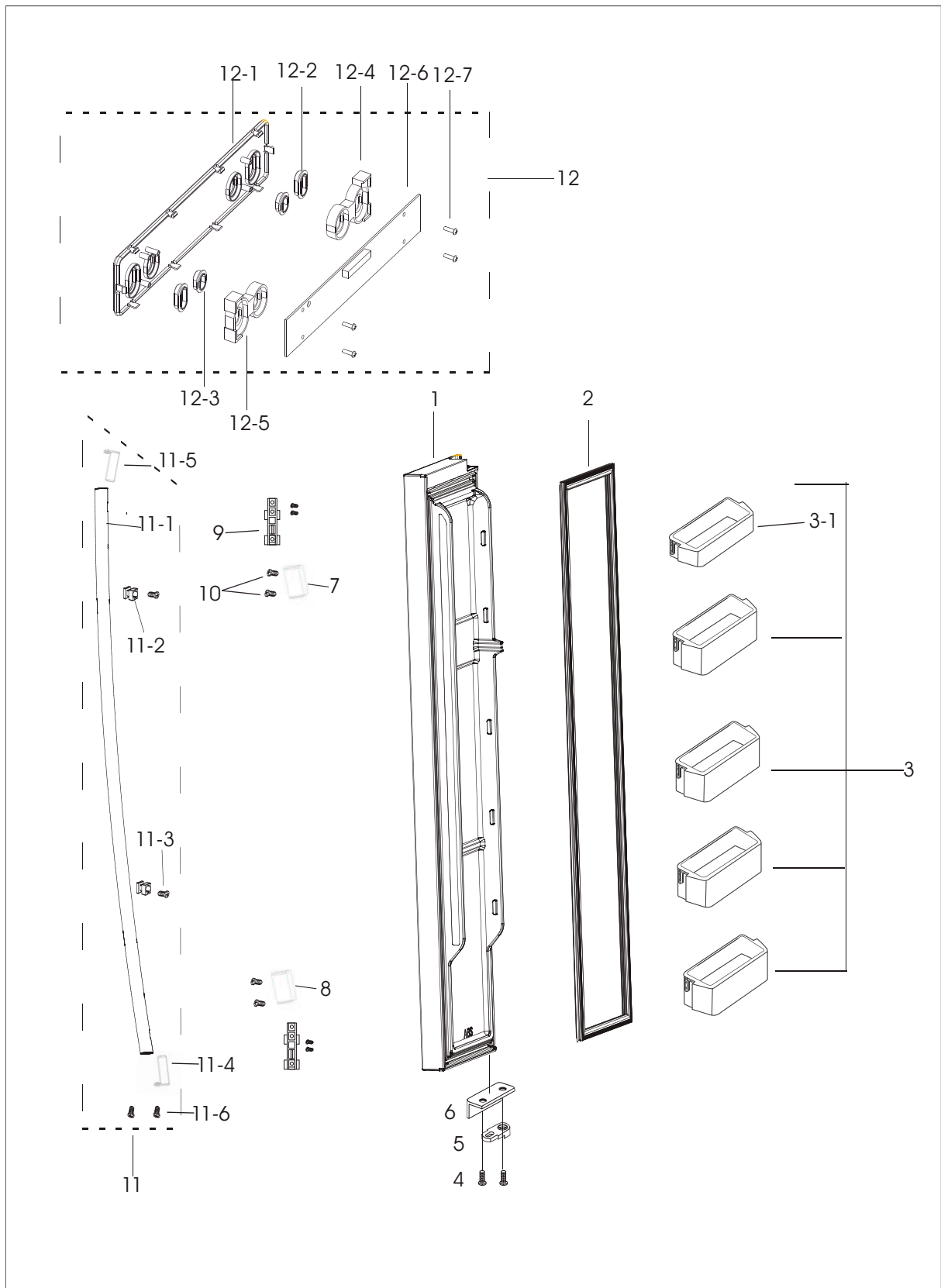
7-2.Fridge Parts



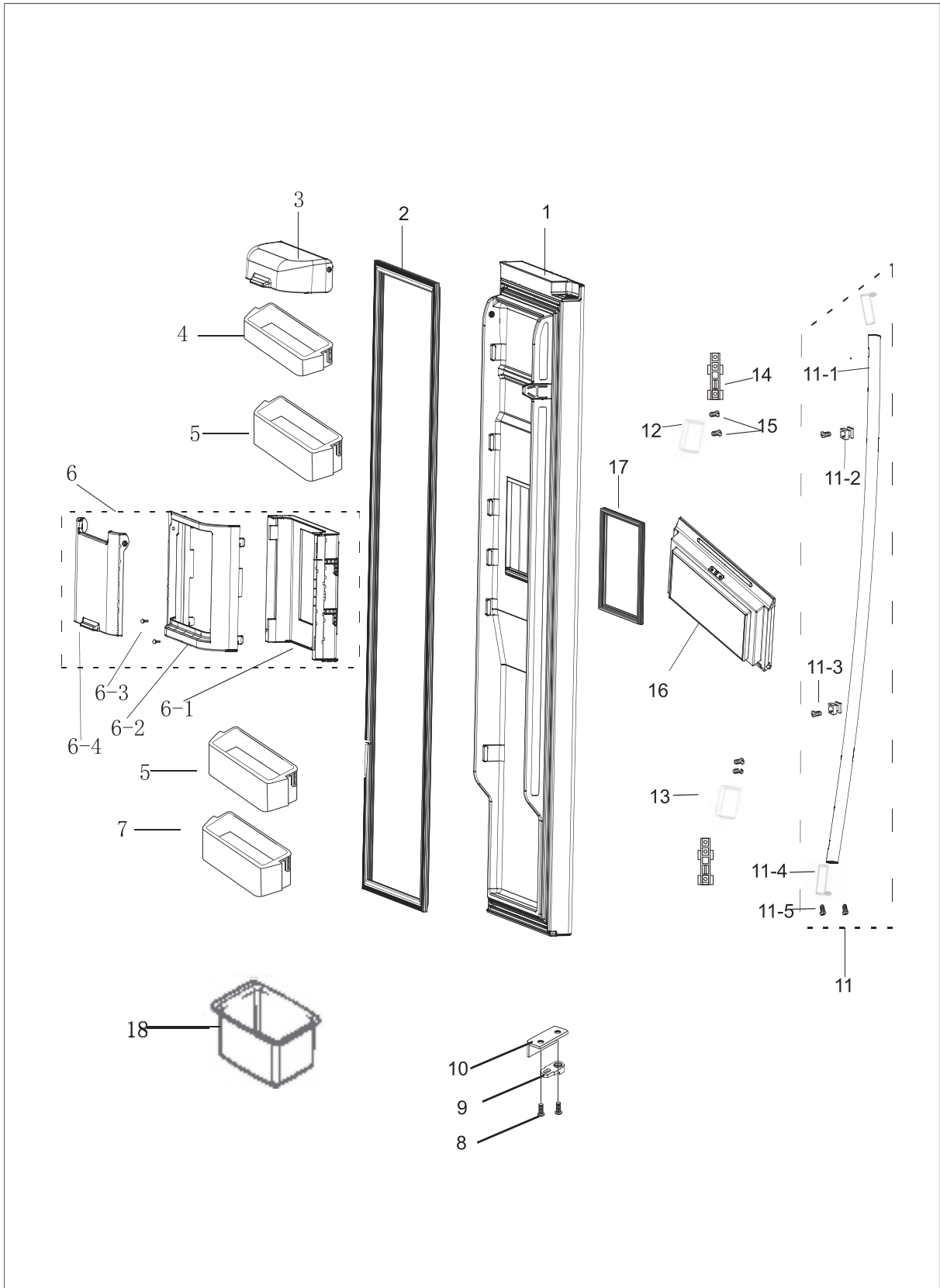
7-3 Refrigerator Accessories



7-4. Freezer Door Accessories



7-5. Fridge Door Parts List



Part List

SVCcod	CODE NO	Description	Spec	Q'ty	SA/SNA
RC024	DA66-00343A	CAM-RISER	USP05(ATOP,ET),NY-66(2110R),BL	1	SA
RD001	DA91-02403E	ASSY DOOR FOAM FRE	RS20BR,CR,PS,NLOCK,-,	1	SA
RD001	DA90-03908E	ASSY DOOR FRE	RS20CR,CB,CT,HT,-,PS,N07,E	1	SA
RD012	DA97-01800E	ASSY-GASKET DOOR FRE	N-PJT,W332,H1533,-,	1	SA
RD016	DA63-03484A	GUARD FRE	N07-PJT,SSEC,EXP,PP,T2.8,W110.	5	SA
RD017	DA63-03509A	GUARD FRE-UPP	N07-PJT,SSEC,EXP,PP,T2.8,W	1	SA
RD141	DA63-03363D	COVER-CONTROL FRONT	N07-PJT,SSEC,ABS,T3,	1	SA
RD169	DA66-00344A	CAM-HINGE RISER LOW	USP05(ATOP,ET),NY-66	1	SA
RD169	DA66-00344A	CAM-HINGE RISER LOW	USP05(ATOP,ET),NY-66	1	SA
RE001	DA90-03909H	ASSY DOOR REF	RS20BR,-,PS,N07,EXP,NLOCK,	1	SA
RE001	DA91-02404P	ASSY DOOR FOAM REF	RS20BR,PS,NLOCK,-,-,S	1	SA
RE015	DA63-03366A	COVER DOOR-RECESS	N07-PJT,SSEC,GPPS,T2.5	1	SA
RE024	DA63-03482A	GUARD REF-UPP	N07-PJT,SSEC,EXP,PP,T2.8,W	2	SA
RE025	DA63-03483A	GUARD REF-LOW	N07-PJT,SSEC,EXP,PP,T2.8,W	2	SA
RE036	DA97-04598B	ASSY HOME BAR	N07-PJT,SSEC,-,-,SC-05014T	1	SA
RE037	DA64-01985A	MASCOT	SBS,AL,T1.6,-,L90,Fixing-type,Siv	1	SA
RE048	DA67-01553B	HOME BAR DOOR-OUT	N07-PJT,SSEC,ABS,-,AL-	1	SA
RE052	DA63-03351B	GASKET HOME BAR-OUT	N07-PJT,SSEC,PVC,-,W	1	SA
RE239	DA97-01800F	ASSY-GASKET DOOR REF	N-PJT,W420,H1533,-,	1	SA
RE256	DA63-03481A	GUARD-DAIRY	N07-PJT,SSEC,EXP,PP,T2.8,W15	1	SA
RE257	DA63-03358A	COVER-GUARD DAIRY	N07-PJT,SSEC,ABS,T2.5,	1	SA
RF005	DA97-00153D	ASSY COVER EVAP-FRONT	? 1 ? N-PJT,R-600a,-,-,-	1	SA

Part List

SVCcod	CODE NO	Description	Spec	Q'ty	SA/SNA
RF008	DA63-01085B	COVER DUCT-FRE	N-PJT,PP,-,-,-,SC-02740R,	1	SA
RF008	DA63-01086A	COVER-DUCT REAR FRE	N-PJT,PP,-,-,-,-,-	1	SA
RF011	DA96-00109B	ASSY EVAP-FRE	N-PJT,19-LINE,230V,-,-,-,-	1	SA
RF022	DA97-01932B	ASSY SHELF-FRE LOW(ET)	ET-PJT,Cool-white	2	SA
RF030	DA47-00135B	HEATER-EVAP SUB	N-PJT NEW,-,-,125W,-,230	1	SA
RF031	DA63-01075A	COVER LAMP	N-PJT,PP,-,-,-,-,-,-	2	SA
RF037	DA63-00713A	COVER-MOTOR	OMEGA,PP,-,-,-,-,-,BLDC	1	SA
RF037	DA63-01809A	COVER MOTOR-BLDC	BLDC-NEW,PP,NTR,-,-,-,-	1	SA
RF041	DA34-10120D	SWITCH DOOR-F	-,slide,-,-,250V,-,0.5A,-,	1	SA
RF118	DA63-01061B	COVER EVAP-FRONT	N-PJT,PP,-,-,-,SC-02740	1	SA
RF132	DA97-04059A	ASSY SHELF FRE-MID	N06-PJT,SSEC,COOL WHI	1	SA
RF133	DA97-00124B	ASSY SHELF FRE-UPP	N-PJT,COOL WHITE	1	SA
RF154	DA97-00128D	ASSY-COVER DUCT FRONT,FRE	N-PJT,SSEC,230	1	SA
RH002	MK4A5QR1U/SJ2	COMPRESSOR	220-240V-50HZ,RSCR,	1	SA
RH003	DA66-00034A	TRAY-DRAIN WATER	-,PP,T2.0,-,-,-,-,-	1	SA
RH004	DA63-10352A	COVER-RELAY	-,URENE UWF-02F01,T2.0,-,-,-	1	SA
RH006	DA34-10003V	RELAY PROTECTOR O/L	4TM265RHBYY-53,	1	SA
RH007	DA35-10013B	RELAY-PTC	J531Q35E330M385-2,385V.6A	1	SA
RH014	DA62-01469A	DRYER	190NISA,CU,ID18.85,L120,-,-,-	1	SA
RH015	DA63-02617A	GROMMET COMP	USP05,EPDM,BLACK,-,-,-,-,-	4	SA
RH068	DA39-20389E	WIRE HARNESS-EARTH	,-,-,-,-,GREEN/YEL,-	1	SA
RH069	DA63-40237G	GROMMET-DISCHARGE	?? ID4.0 OD32 H20,NR,-,-,	2	SA

Part List

SVCcod	CODE NO	Description	Spec	Q'ty	SA/SNA
RH069	DA63-40237G	GROMMET-DISCHARGE	ID4.0 OD32 H20,NR,-,-,	2	SA
RH069	DA63-40237H	GROMMET-DISCHARGE	ID6.0 OD20 H20,NBR,-,-	1	SA
RH081	DA97-00136E	ASSY-COVER COMP	N-PJT,SSEC,07,-,-,-	1	SA
RI002	DA97-00118B	ASSY CASE-VEG UPP	N-PJT,Cool-select zone	1	SA
RI003	DA34-10110E	SWITCH DOOR-R	-,Sliding,-,-,250V,-,0.5A,	1	SA
RI009	DA63-01066B	COVER-VEG LOW(N)	N-PJT,HIPS,Cool-white,S	1	SA
RI012	DA97-00355D	ASSY INS-DAMPER,REF	n-PJT,-,-,-,-,-,-,-	1	SA
RI020	DA63-01077B	COVER-PURIFIER	N-PJT,PP,COOL-WHITE,SC-02	1	SA
RI021	DA63-00798B	COVER-SENSOR,A	N-PJT,ABS,-,-,-,-,-,-,-	1	SA
RI021	DA63-00798B	COVER-SENSOR,A	N-PJT,ABS,-,-,-,-,-,-,-	1	SA
RI033	DA97-01247B	ASSY RAIL-LOW L(ET)	ET-PJT,Cool-white,SC	1	SA
RI034	DA97-01248B	ASSY RAIL-LOW R(ET)	ET-PJT,Cool-white,SC	1	SA
RI081	4713-001189	LAMP-INCANDESCENT	240V,-,30W,-,-,-,25x84	2	SA
RI085	DA31-00052A	FAN PROPELLER	-,N-PJT,ABS,5 WING, 7 145	1	SA
RI086	DA63-01808A	GROMMET-MOTOR,FRONT	BLDC,NBR,BLACK,-,-,-	1	SA
RI098	DA32-00024C	SENSOR TEMP	-,N-PJT,SSEC,-,-,-,-,R-F DEF	1	SA
RI098	DA32-00024C	SENSOR TEMP	-,N-PJT,SSEC,-,-,-,-,R-F DEF	1	SA
RI098	DA32-00024B	SENSOR TEMP	-,N-PJT,SSEC,-,-,-,-,R-SENSO	1	SA
RI098	DA32-00024A	SENSOR TEMP	-,N-PJT,SSEC,502AT,5V,-,-,EX	1	SA
RI098	DA32-00024A	SENSOR TEMP	-,N-PJT,SSEC,502AT,5V,-,-,EX	1	SA
RI134	DA96-00042A	ASSY-HARNESS MOTOR	A-TOP UL(MOTOR),C-FAN	1	SA
RI381	DA63-01074D	TRAY-REF	^{???} N07-PJT,SSEC,GPPS,-,W390,L393,-	1	SA

Part List

SVCcod	CODE NO	Description	Spec	Q'ty	SA/SNA
RI382	DA67-40250G	TRAY-UTILITY	N07-PJT,SSEC,GPPS,-,-,-,1	1	SA
RI383	DA39-00227B	WIRE HARNESS-SUB	N-PJT,SSEC,-,UL,-,-,-,-	1	SA
RI384	DA47-00225A	HEATER-COVER DAMPER	-,N-PJT,SSEC,-,3W,-,	1	SA
RI501	DA97-00117C	ASSY-CASE VEG LOW	N-PJT,SSEC,07,COOL-SEL	1	SA
RI508	DA63-01635B	COVER-DAMPER REF	N-PJT,HIPS,COOL-WHITE,S	1	SA
RI522	DA63-00799A	COVER-SENSOR,B	A-TOP,GPPS,-,-,-,-,NORM	1	SA
RI522	DA63-00799A	COVER-SENSOR,B	A-TOP,GPPS,-,-,-,-,NORM	1	SA
RI534	DA97-00825D	ASSY SHELF REF-LOW	N-PJT,COOL WHITE	1	SA
RI537	DA97-00126C	ASSY SHELF REF-UPP	N-PJT,COOL WHITE	3	SA
RI557	DA47-10148M	THERMO FUSE-ASSY	-,-,250V,10A,77Ω,-,-,-	1	SA
RI567	DA31-00010D	FAN-ASS'Y	-,ET,ZIPEL,ASSY,-,UNIT,: : 150	1	SA
RI851	DA61-20128A	SPRING ETC-FAN	-,STS304,PI7.8,-,OD1.0,-,	1	SA
RI851	DA61-20128A	SPRING ETC-FAN	-,STS304,PI7.8,-,OD1.0,-,	1	SA
RL038	DA64-02029B	BUTTON-B	N07-PJT,SSEC,ABS,L20.6,W14.6,H6	2	SA
RL249	DA02-00128A	TAPE ETC-AL	N07-PJT,SSEC,-,-,T0.16,W160,	1	SA
RM015	DA61-02785A	SUPPORT-TRAY ICE	N06,SSEC,ABS,-,-,-,COOL	1	SA
RM025	DA61-02779B	CASE-ICE CUBE	N07-PJT,SSEC,GPPS,-,-,-,16	1	SA
RO002	DA97-00133F	ASSY-CHASSIS COMP	N-PJT,SSEC,T1.4,-,-	1	SA
RO003	DA63-03407B	COVER LEG-FRONT	N07-PJT,SSEC,PP,H90,W85,	1	SA
RO004	2501-001186	C-OIL	5uF,400V,BK,43x55mm,15mm	1	SA
RO005	DA39-10115E	CBF-POWER CORD	ET-PJT,-,UCP-2,-,-,-,-,-	1	SA
RO007	DA41-00437A	PBA MAIN	^{24?} N07-PJT,SSEC,-,FR-1,T1.6,W148,L	1	SA

Part List

SVCcod	CODE NO	Description	Spec	Q'ty	SA/SNA
RO017	DA97-04647C	ASSY HANDLE-BAR	N07-PJT,SSEC,EXP,ABS,-,-	1	SA
RO017	DA97-04647C	ASSY HANDLE-BAR	N07-PJT,SSEC,EXP,ABS,-,-	1	SA
RO038	DA61-01608A	HINGE-LOW REF	10.5mm,SCP1,T4.5,-,T3.0,-,	1	SA
RO041	DA61-01874B	HINGE-UP L(ET)	ET-PJT,SHP1,T3.0,EXP,-,-,	1	SA
RO042	DA61-01875B	HINGE-UP R(ET)	ET-PJT,SHP1,T3.0,EXP,-,-,	1	SA
RO045	DA63-02232N	COVER HINGE-UP,R	N-PJT,ABS,-,-,-,-,SC-	1	SA
RO047	DA61-00261A	CASE PCB-PANEL	A-TOP,N-ABS,-,-,-,-,-	1	SA
RO052	DA41-00436B	PBA PANEL	N07-PJT,SSEC,-,CEM-1,T1.6,W220	1	SA
RO058	DA67-01559A	CAP-HANDLE LOW	ABS(MP-0160R),A-TOP M/C,J	1	SA
RO058	DA67-01559A	CAP-HANDLE LOW	ABS(MP-0160R),A-TOP M/C,J	1	SA
RO066	DA26-00032C	TRANS POWER	-,N07-PJT,-,-,230V,12.5V/15V	1	SA
RO074	DA61-03151B	BRACKET HINGE-LOW	N07-PJT,SSEC,AL6063,T3	2	SA
RO091	DA62-00131E	PIPE-CONNECT ASSY	N-PJT,SSEC,07,CU,C1220	1	SA
RO233	DA61-01607B	HINGE-LOW FRE	10.5mm,SCP1,T4.5,-,T3.0,-,	1	SA
RO241	DA63-00783A	COVER PCB-PANEL	A-TOP,N-ABS,-,-,-,-,-	1	SA
RO247	DA97-03202B	ASSY-SHIM HINGE UPP	N-PJT,SSEC,T1.0,HIPS	1	SA
RO247	DA97-03202B	ASSY-SHIM HINGE UPP	N-PJT,SSEC,T1.0,HIPS	1	SA
RW749	DA39-00084E	WIRE HARNESS-COMP	N-PJT,SSEC,-,UL,-,-,-,	1	SA