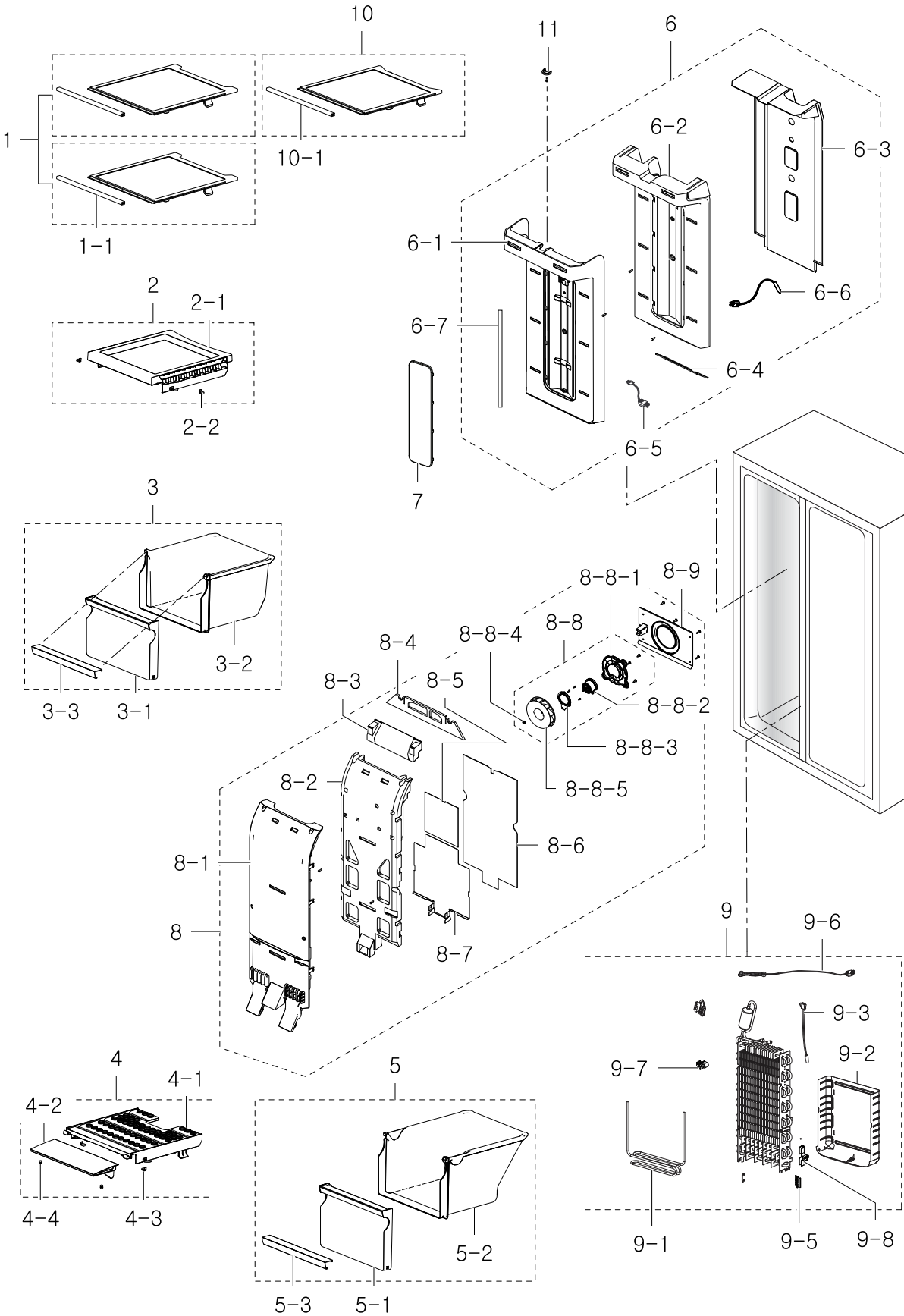


1. Freezer

Exploded View



Parts List

No.	Lvl.	Loc.	Material Code	Description & Specification	SNA	Qty.
1	2		DA97-12800A	ASSY SHELF-FRE TOP; HM12-PJT	SA	2
1-1	3		DA64-03678E	TRIM-SHELF FRONT; HM12,ABS,SD-0150,COOL W	SA	2
2	2	M0310	DA97-12766A	ASSY SHELF FRE-LOW; HM10-SEPM,RAIL TWO-PI	SA	1
2-1	3	Z1179	DA67-03384A	SHELF FRE-LOW; HM10,ABS,T2.5,W309.6,L328.	SA	1
2-2	3	G0587	DA63-00202C	GROMMET-RAIL; TD-PJT,NY-66,W10.7,COOL WHI	SA	2
3	2	Z1189	DA97-12803A	ASSY CASE-BASKET HIGH; HM12-PJT	SA	1
3-1	3	A1182	DA63-07075A	COVER-BASKET HIGH; HM12,GPPS,HB,NATURAL,G	SNA	1
3-2	3		DA61-08435A	CASE-BASKET HIGH; HM12,GPPS,NATURAL,HB,G-	SNA	1
3-3	3		DA64-03862H	TRIM-TRAY FRE; HERMES-12,HIPS,S834S1,COOL	SA	1
4	2		DA97-12807A	ASSY COVER-SLIDE BASKET; HM12-PJT	SA	1
4-1	3	G0408	DA63-07054A	COVER-BASKET LOW; HM10-SEPM,ABS,TRP,UT-05	SNA	1
4-2	3		DA63-07077A	COVER SLIDE-BASKET; HM12,PETG,HB,NATURAL,	SA	1
4-3	3	G0587	DA63-00202C	GROMMET-RAIL; TD-PJT,NY-66,W10.7,COOL WHI	SA	2
4-4	3		DA63-07113A	GROMMET-COVER SIDE; HM12,SILICON,Transpar	SA	2
5	2	A0496	DA97-12804A	ASSY CASE-BASKET LOW; HM12-PJT	SA	1
5-1	3	G0408	DA63-07074A	COVER-BASKET LOW; HM12,GPPS,HB,NATURAL,G-	SNA	1
5-2	3	G0407	DA61-08434A	CASE-BASKET LOW; HM12,GPPS,NATURAL,HB,G-1	SNA	1
5-3	3		DA64-03862H	TRIM-TRAY FRE; HERMES-12,HIPS,S834S1,COOL	SA	1
6	2	M0304	DA97-12821A	ASSY COVER MULTI-FRE; HM12,IN-DOOR,NOMAL	SA	1
6-1	3		DA63-07061A	COVER-MULTI FRE; HM12,PP,T2.0,COOL-WHITE,	SNA	1
6-2	3		DA62-03721A	INSULATION-MULTI FRE; HM12,FOAM-PS,WHITE	SNA	1
6-3	3		DA61-08424A	PLATE-INS MULTI FRE; HM12,PP,T2.0,BLACK,R	SNA	1
6-4	3		DA62-03766A	SEAL-MULTI FRE LOW; HM12,OJC-3000,WHTIE,T	SNA	1

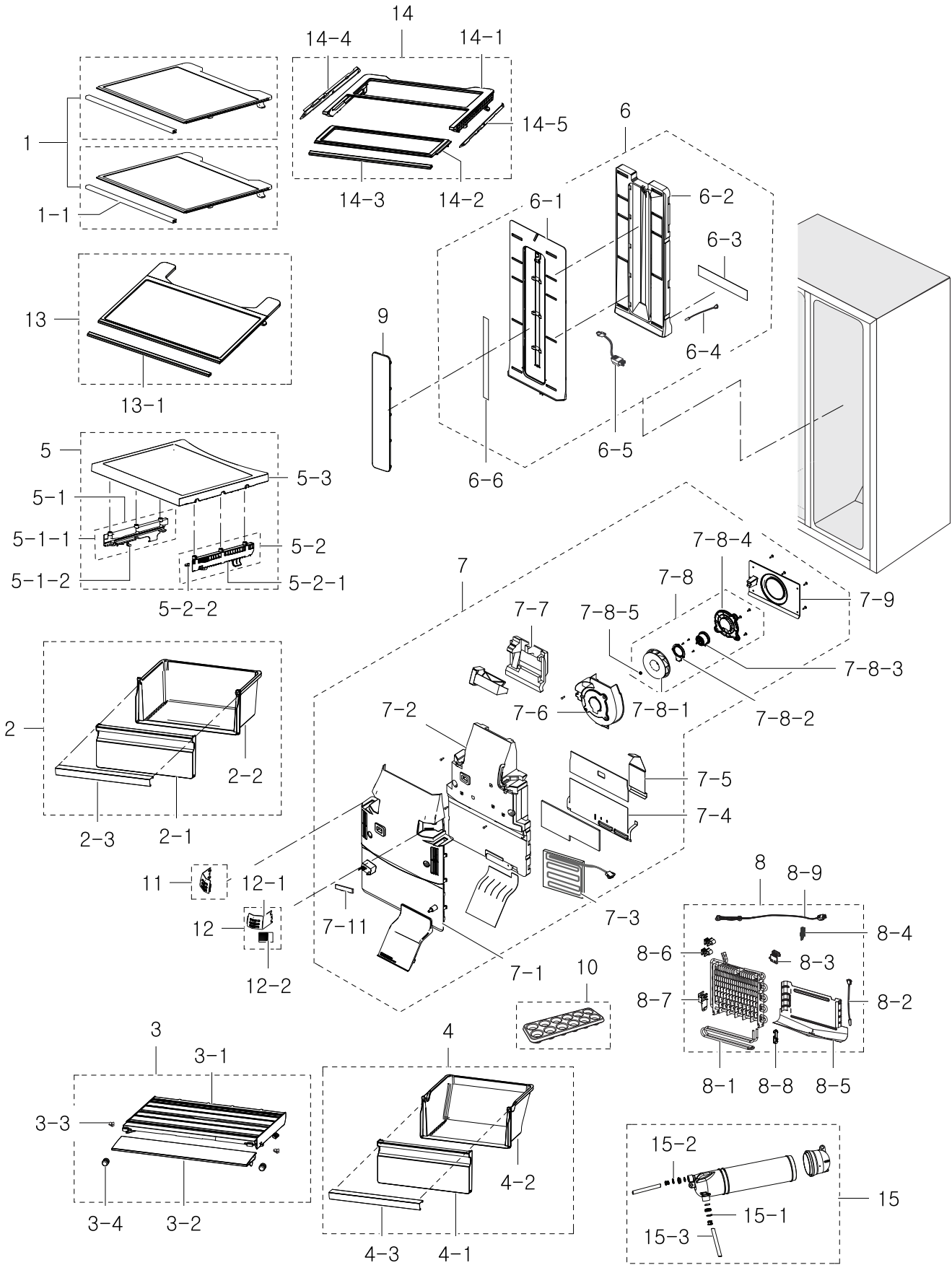
No.	Lvl.	Loc.	Material Code	Description & Specification	SNA	Qty.
6-5	3		DA96-00768M	ASSY W/HARNESS-LED LAMP; HM12, FRE,12Vdc	SA	1
6-6	3	A0696	DA32-00006D	SENSOR TEMP-F DEF SENSOR; PX-41C,502AT-2,	SA	1
6-7	3	G0090	DA41-00749C	PBA-LED LAMP; HAEMIL,CEM-1,335X20X1.6T,1	SA	1
7	2	M0152	DA63-05297A	COVER-LAMP FRE; HM10,LED,PP,NATURAL,BJ730	SA	1
8	2	M0303	DA97-12820A	ASSY COVER EVAP-FRE; HM12,BASIC, AIO Slim	SA	1
8-1	3		DA63-07060A	COVER EVAP-FRE; HM12,PP,T2.0,COOL-WHITE,B	SNA	1
8-2	3		DA62-03720A	INSULATION-EVAP FRE A; HM12,FOAM-PS,WHITE	SNA	1
8-3	3		DA62-03722A	INSULATION-EVAP FRE B; HM12,FOAM-PS,WHITE	SNA	1
8-4	3		DA62-03765A	SEAL-COVER EVAP FRE HIGH; HM12,OJC-3000,W	SNA	1
8-5	3		DA61-08591A	PLATE-INS EVAP FRE HIGH; HM12,PP,T1.0,NAT	SNA	1
8-6	3		DA62-03764A	SEAL-COVER EVAP FRE REAR; HM12,FOAM-PE+AL	SNA	1
8-7	3		DA61-05991C	PLATE-EVAP HEATER FRE; HERMES,GL-SAZCC,T0	SA	1
8-8	3	M0005	DA96-00968A	ASSY MOTOR-FAN; DREP8020RB,DC 12V,1870,HM	SA	1
8-8-1	4		DA61-08439A	BRACKET-MOTOR; HM12,ABS,NTR,AIO Q7 MOTOR	SNA	1
8-8-2	4	A0998	DA31-00305B	MOTOR BLDC; DREP8020RA,1870+-4%,DC 12V,0.	SNA	1
8-8-3	4		DA61-08440A	BRACKET-MOTOR SUB; HM12,HIPS,NTR,AIO Q7 M	SNA	1
8-8-4	4	A0768	DA61-20128A	SPRING ETC-FAN; STS304,PI8.8,ID7.8,OD9.8,	SNA	1
8-8-5	4	M0160	DA31-00292A	FAN-BACKWARD; OPUS1,ABS,NTR	SNA	1
8-9	3	M0143	DA61-08425A	CASE-MOTOR FRE; HM12,ABS,GRAY,CNTKA-204,S	SA	1
9	2	A0163	DA96-00675U	ASSY EVAP-FRE; HM12,FIN TUBE,A1070,230V,2	SA	1
9-1	3	G0515	DA47-00320L	HEATER-SHEATH-METAL FRE; HM10,INCOLOY840,	SA	1
9-2	3		DA61-05989B	PLATE-DRAIN EVAP FRE; HERMES,GL-SAZCC,T0.	SNA	1
9-3	3	A1018	DA32-00029N	SENSOR TEMP; DTN-C502G6X,NEXT-PJT,40~110	SA	1
9-5	3	A0744	DA61-05160A	FIXER-FUSE; CULLI_09,PP,NATURAL,BJ750	SNA	1
9-6	3	A1008	DA47-00301F	THERMO FUSE-ASSY; TWIN,250V,10A,109~110	SA	1

Exploded Views and Parts List

No.	Lvl.	Loc.	Material Code	Description & Specification	SNA	Qty.
9-7	3	M0475	DA61-06013A	FIXER-WIRE; AW3-PJT,PP,NTR	SNA	2
9-8	3	G0521	DA61-06691A	FIXER-WIRE FRE SUB; HM/GGH/HAEMIL,PP,NTR,	SA	1
10	2		DA97-12799A	ASSY SHELF-FRE MID; HM12-PJT	SA	1
10-1	3		DA64-03678E	TRIM-SHELF FRONT; HM12,ABS,SD-0150,COOL W	SA	2
11	2	G0200	DA61-01797A	FIXER GROMMET-DOOR; T3-PJT,PP,SC-02740R	SA	1

2. Fridge

Exploded View



Parts List

No.	Lvl.	Loc.	Material Code	Description & Specification	SNA	Qty.
1	2		DA97-12798A	ASSY SHELF-REF TOP; HM12-PJT	SA	2
1-1	3		DA64-03678D	TRIM-SHELF FRONT; HM12,ABS,SD-0150,COOL W	SA	2
2	2	Z1188	DA97-12801A	ASSY CASE-VEG HIGH; HM12-PJT	SA	1
2-1	3		DA63-07072A	COVER-VEG HIGH; HM12,GPPS,HB,NATURAL,G-11	SNA	1
2-2	3	A0677	DA61-08432A	CASE-VEG HIGH; HM12,GPPS,NATURAL,HB,G-116	SNA	1
2-3	3		DA64-03862J	TRIM-TRAY FRE; HERMES-12,HIPS,S834S1,COOL	SA	1
3	2		DA97-12806A	ASSY COVER-SLIDE VEG; HM12-PJT	SA	1
3-1	3	G0544	DA63-07017A	COVER-VEG LOW; HM10-SEPM,ABS,TRP,UT-0510	SNA	1
3-2	3		DA63-07076A	COVER SLIDE-VEG; HM12,PETG,HB,NATURAL,T90	SNA	1
3-3	3	G0587	DA63-00202C	GROMMET-RAIL; TD-PJT,NY-66,W10.7,COOL WHI	SA	2
3-4	3		DA63-07113A	GROMMET-COVER SIDE; HM12,SILICON,Transpar	SA	2
4	2	M0236	DA97-12802A	ASSY CASE-VEG LOW; HM12-PJT	SA	1
4-1	3		DA63-07073A	COVER-VEG LOW; HM12,GPPS,Transparency,G-1	SNA	1
4-2	3	M0268	DA61-08433A	CASE-VEG LOW; HM12,GPPS,NATURAL,HB,G-1161	SNA	1
4-3	3		DA64-03862J	TRIM-TRAY FRE; HERMES-12,HIPS,S834S1,COOL	SA	1
5	2	G0284	DA97-12764A	ASSY SHELF REF-LOW; HM10-SEPM,RAIL-TWO PI	SA	1
5-1	3	G0565	DA97-05233B	ASSY RAIL-BOX L; HERMES-PJT,T2.0,W17,L260	SA	1
5-1-1	4		DA61-03413B	RAIL-BOX L; HERMES-PJT,TALC PP,-,-,NATU	SNA	1
5-1-2	4	G0587	DA63-00202C	GROMMET-RAIL; TD-PJT,NY-66,W10.7,COOL WHI	SA	1
5-2	3	G0566	DA97-05234B	ASSY RAIL-BOX R; HERMES-PJT,T2.0,W17,L260	SA	1
5-2-1	4		DA61-03412B	RAIL-BOX R; HERMES-PJT,TALC PP,-,-,NATU	SNA	1
5-2-2	4	G0587	DA63-00202C	GROMMET-RAIL; TD-PJT,NY-66,W10.7,COOL WHI	SA	1
5-3	3	A0682	DA67-03385A	SHELF REF-LOW; HM10,ABS,T2.5,W444.7,L383.	SA	1
6	2	G0239	DA97-12823A	ASSY COVER MULTI-REF; HM12,COOL WHITE,LED	SA	1

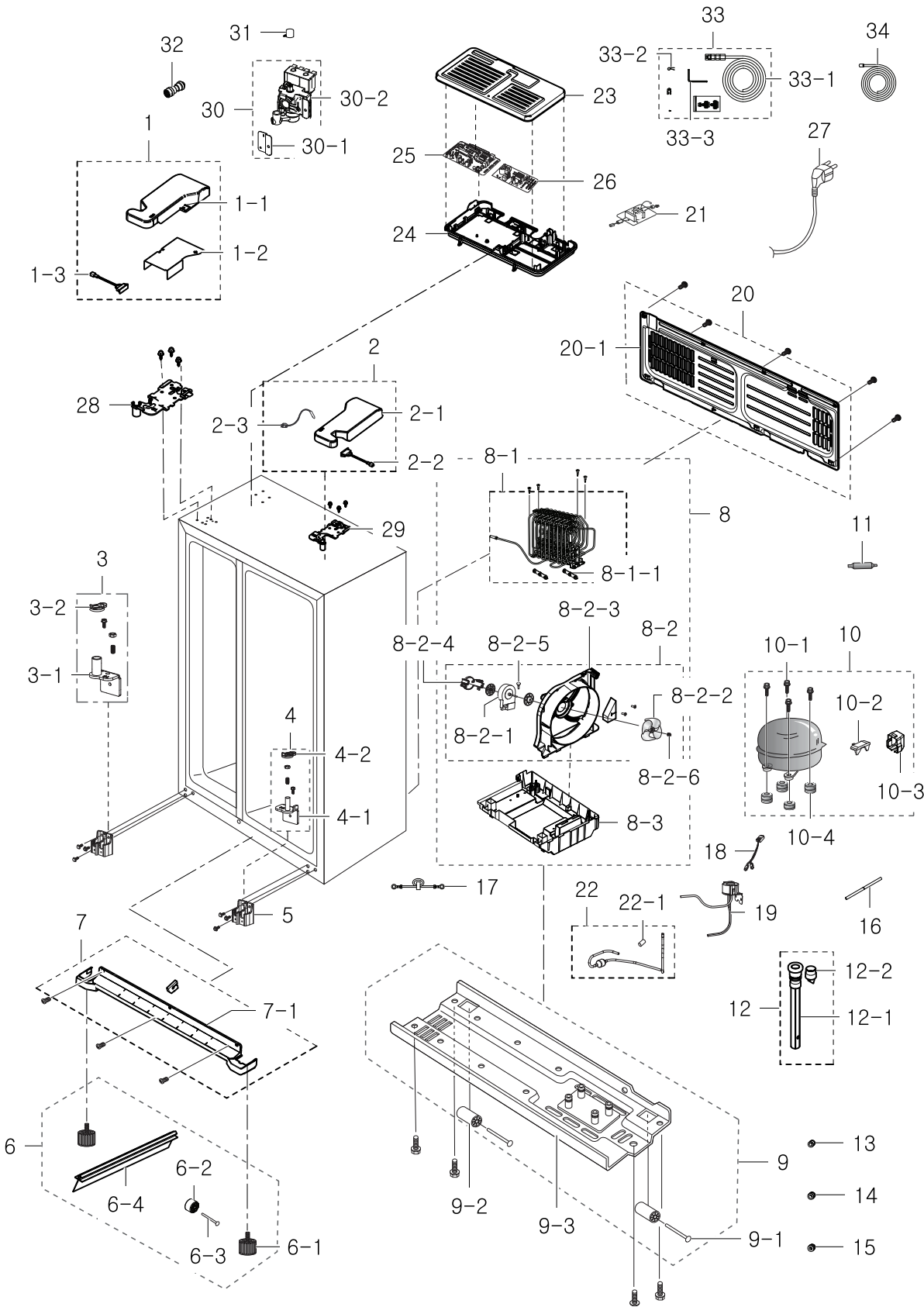
No.	Lvl.	Loc.	Material Code	Description & Specification	SNA	Qty.
6-1	3	A0689	DA63-07081A	COVER-MULTI REF; HM12,PP,COOL WHITE(SC-02	SNA	1
6-2	3	A0695	DA62-03726A	INSULATION-MULTI REF; HM12,FOAM-PS,WHITE,	SNA	1
6-3	3		DA61-03361A	PLATE-MULTI REF REAR; HERMES,PP,T0.6,-,-,	SNA	1
6-4	3	A1018	DA32-10105U	SENSOR TEMP; 502AT,A-TOP,-50~50,5V,-,-,RO	SA	1
6-5	3	G0563	DA96-00424F	ASSY W/HARNESS-LED LAMP; ALL,12VDC,UL,IEC	SA	1
6-6	3	T0096	DA41-00519Y	PBA COSMO-LED LAMP; SSEDA,FR-4,490*20,9 E	SA	1
7	2	Z1177	DA97-12824A	ASSY COVER EVAP-REF; HM12,COOL WHITE,BASI	SA	1
7-1	3		DA63-07079A	COVER EVAP-REF; HM12,PP,COOL WHITE(SC-027	SNA	1
7-2	3		DA62-03727A	INSULATION EVAP-REF A; HM12,FOAM-PS,WHITE	SNA	1
7-3	3	G0514	DA47-00258A	HEATER-WATER TANK; -,HERMES,-,5W,-,230V,-	SA	1
7-4	3		DA61-05993B	PLATE-EVAP HEATER REF; HERMES,AL,T0.3	SA	1
7-5	3		DA61-06244A	PLATE-DRAIN INS EVAP REF; HERMES,A1100,T0	SA	1
7-6	3		DA61-08437A	GUIDE AIR-REF; HM12,HIPS,HG-1760SF,COOL W	SA	1
7-7	3		DA62-03734A	INSULATION EVAP-REF B; HM12,FOAM-PS,WHITE	SNA	1
7-8	3	M0005	DA96-00968A	ASSY MOTOR-FAN; DREP8020RB,DC 12V,1870,HM	SA	1
7-8-1	4	M0160	DA31-00292A	FAN-BACKWARD; OPUS1,ABS,NTR	SNA	1
7-8-2	4		DA61-08440A	BRACKET-MOTOR SUB; HM12,HIPS,NTR,AIO Q7 M	SNA	1
7-8-3	4	A0998	DA31-00305B	MOTOR BLDC; DREP8020RA,1870+-4%,DC 12V,0.	SNA	1
7-8-4	4		DA61-08439A	BRACKET-MOTOR; HM12,ABS,NTR,AIO Q7 MOTOR	SNA	1
7-8-5	4	A0768	DA61-20128A	SPRING ETC-FAN; STS304,PI8.8,ID7.8,OD9.8,	SNA	1
7-9	3		DA61-08438A	PLATE-MOTOR REF; HM12,ABS,NTR,ABS,AIO Q7	SA	1
7-11	3	G0090	DA41-00749C	PBA-LED LAMP; HAEMIL,CEM-1,335X20X1.6T,1	SA	1
8	2	A0184	DA96-00676K	ASSY EVAP-REF; HERMES,FIN PIPE,A1070S-H14	SA	1
8-1	3	A0921	DA47-00321L	HEATER-METAL SHEATH; HM10-PJT,NCOLOY840,1	SA	1
8-2	3	A1018	DA32-00029R	SENSOR TEMP; DTN-C502G6X,SSEDA-PJT,40~110	SA	1
8-3	3		DA61-03683A	FIXER-SENSER; AW-PJT,PP,-,NTR,FH-44N	SNA	1

Exploded Views and Parts List

No.	Lvl.	Loc.	Material Code	Description & Specification	SNA	Qty.
8-4	3	A0744	DA61-05160A	FIXER-FUSE; CULLI_09,PP,NATURAL,BJ750	SNA	1
8-5	3	M0404	DA61-05702B	PLATE-DRAIN EVAP REF; HERMES, GUGGENHEIM,	SNA	1
8-6	3	M0475	DA61-06013A	FIXER-WIRE; AW3-PJT,PP,NTR	SNA	2
8-7	3	G0519	DA61-06062A	PLATE-EVAP BRACKET REF; HERMES/GUGGENHEIM	SA	1
8-8	3	G0522	DA61-06700A	FIXER-HEATER WIRE REF; HM/GGH/HAEMIL,PP,N	SA	2
8-9	3	A1008	DA47-00301B	THERMO FUSE-ASSY; HERMES,250V,10A,109~110	SA	1
9	2	A0710	DA63-07034A	COVER-LAMP REF; HM10-SEPM,PP,NTR	SA	1
10	2	Z1106	DA63-07014A	TRAY-EGG; HM10,GPPS,-,HB,NATURAL,Stylon 6	SA	1
11	2		DA63-07080A	COVER-DEODORIZER L; HM12,PP,COOL WHITE(SC	SA	1
12	2		DA97-12822A	ASSY COVER-DEODORIZER R; HM12,COOL WHITE	SA	1
12-1	3		DA63-07083A	COVER-DEODORIZER R; HM12,PP,COOL WHITE(SC	SA	1
12-2	3	G0513	DA02-90106R	CATALYST-LTC; ALL,T5,W40,L40	SA	1
13	2	A0909	DA97-12797A	ASSY SHELF-REF MID; HM12-PJT	SA	1
13-1	3		DA64-03678D	TRIM-SHELF FRONT; HM12,ABS,SD-0150,COOL W	SA	2
14	2		DA97-12805A	ASSY SHELF-FOLD; HM12-PJT	SA	1
14-1	3		DA67-03397A	SHELF-FOLD FRAME; HM12,PP,COOL WHITE	SA	1
14-2	3		DA67-03398A	SHELF-FOLD FRONT; HM12,ABS,COOL WHITE,QSD	SA	1
14-3	3		DA64-03678F	TRIM-SHELF FRONT; HM12-PJT,ABS,COOL WHITE	SA	1
14-4	3		DA61-01236B	REINF-SHELF L; ET-PJT,SECC1,COOL WHITE,FO	SNA	1
14-5	3		DA61-01235B	REINF-SHELF R; ET-PJT,SECC1,-,-,COOL WH	SNA	1
15	2	M0042	DA97-12702B	ASSY TANK WATER; HM10 SEPM,ASSY,NTR	SA	1
15-1	3		DA61-04521A	CLIP-FITTING LOCK; AW,POM,-,5/16inch	SNA	1
15-2	3		DA61-04522A	CLIP-FITTING LOCK; AW,POM,-,1/4inch	SNA	1
15-3	3		DA62-02429U	PIPE-WATER LINE; A-TOP08,LLDPE,OD7.93,100	SNA	1

3. Cabinet

Exploded View



Parts List

No.	Lvl.	Loc.	Material Code	Description & Specification	SNA	Qty.
1	2	A0241	DA97-12758A	ASSY COVER HINGE-UPP L; HM10-SEPM,T2.5,15	SNA	1
1-1	3	A0913	DA63-07032A	COVER-HINGE UPP L; HM10-SEPM,ABS,T2.5,156	SA	1
1-2	3	M0289	DA61-08395A	PLATE-COVER HINGE; HM10-SEPM,GI-SGCC,T0.4	SA	1
1-3	3	G0068	DA34-00043C	SWITCH REED-ASS'Y; 200VDC,1.5A,-	SA	1
2	2	A0243	DA97-06159L	ASSY COVER HINGE-UPP R; HM10,T2.5,W96.1,L	SA	1
2-1	3	A0244	DA63-04180C	COVER HINGE-UPP R; GUGGENHEIM(EXP),ABS,T2	SA	1
2-2	3	G0068	DA34-00043C	SWITCH REED-ASS'Y; 200VDC,1.5A,-	SA	1
2-3	3	A1108	DA32-00034B	SENSOR HUMIDITY; SHT20P,POLARIS,5V,1mA,0	SA	1
3	2	M0245	DA97-06158B	ASSY HINGE LOW-L; GUGGENHEIM,BLK	SA	1
3-1	3	A0947	DA61-04191A	HINGE-LOW L; GUGGENHEIM,SHP1,T4.5,-,-,-,-	SNA	1
3-2	3	G0556	DA66-00560B	CAM HINGE-RISER LOW L; GUGGENHEIM,NY-66,B	SA	1
4	2	M0246	DA97-06157B	ASSY HINGE LOW-R; GUGGENHEIM,BLK	SA	1
4-1	3		DA61-04190A	HINGE-LOW R; GUGGENHEIM,SHP1,T4.5,-,-,-,-	SNA	1
4-2	3	G0555	DA66-00559A	CAM HINGE-RISER LOW R; GUGGENHEIM,NY-66,-	SA	1
5	2	G0520	DA61-06104B	BRACKET HINGE-LOW; HM10,AL,43.5,55.4	SA	2
6	2		DA97-12691A	ASSY CABINET-BOTTOM FRAME; HM10-SEPM	SNA	1
6-1	3	A0577	DA61-00805F	FOOT-FRONT; REF-ALL,PP+MSWR10,BLACK,PP_S	SA	2
6-2	3	M0145	DA61-04702A	CASTER-FRONT; AW-PJT,PP,-,35,NTR,35,PP+TP	SA	1
6-3	3	M0146	DA61-01920A	CASTER-RIVET; (ZPC2),MSWR10,OD8.0,L58	SA	2
6-4	3	M0296	DA64-02472A	TRIM-BLADE; HERMES-PJT,PVC,-,-,L375.2,NAT	SA	1
7	2		DA97-08351A	ASSY COVER LEG-FRONT; HM10,89.3,910.9	SA	1
7-1	3	A0807	DA63-05292A	COVER LEG-FRONT; HM10,PP,STS-KP,BJ730,NTR	SA	1
8	2	A0749	DA97-12869A	ASSY TRAY-DRAIN WATER; HM12,W242.4,L322.4	SA	1
8-1	3	M0349	DA97-03962F	ASSY PIPE-SPIRAL COND; HM12	SA	1
8-1-1	4	M0181	DA63-40128A	GROMMET-SUB COND; -,NBR,-,-,-,-,-,DARK-	SA	2
8-2	3	M0116	DA97-12842A	ASSY SUPPORT-CIRCUIT MOTOR; HM12,160mm FA	SA	1
8-2-1	4		DA31-00305C	MOTOR BLDC-CIRCUIT; DRCP8020LA,1120+-6%,1	SC	1

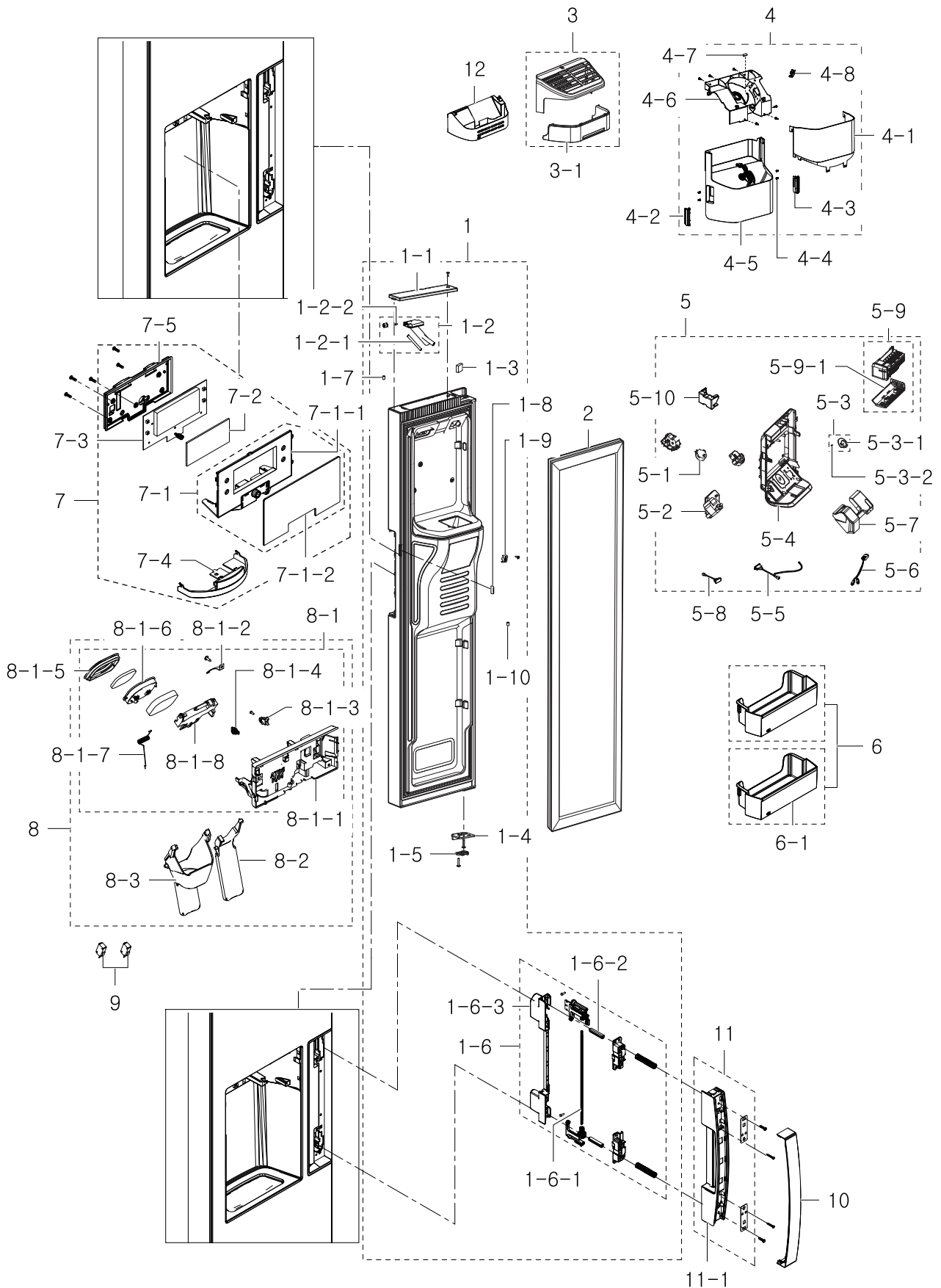
No.	Lvl.	Loc.	Material Code	Description & Specification	SNA	Qty.
8-2-2	4	A0769	DA31-00320A	FAN; HM12,ABS+GLASSFIBER,GR-4010/NTR	SC	1
8-2-3	4	A0907	DA61-08427A	SUPPORT-CIRCUIT MOTOR; HM12,ABS,CNTK A-20	SC	1
8-2-4	4	A0908	DA61-08428A	BRACKET-CIRCUIT MOTOR; HM12,ABS,GRAY,ABS_	SC	1
8-2-5	4	A0218	DA63-07065A	GROMMET-MOTOR; HM12,NBR,BLACK	SA	1
8-2-6	4	A0768	DA61-20128A	SPRING ETC-FAN; STS304,PI8.8,ID7.8,OD9.8,	SNA	1
8-3	3		DA97-13057B	ASSY TRAY DRAIN WATER-SUB; HM12 SEPM	SA	1
9	2	A0738	DA97-12777A	ASSY CHASSIS-COMP; HM10,IN_DOOR	SNA	1
9-1	3	M0146	DA61-01920A	CASTER-RIVET; (ZPC2),MSWR10,OD8.0,L58	SA	2
9-2	3	A0527	DA61-04703A	CASTER-REAR; AW-PJT,PP,-,35,NTR,35,PP+TPE	SA	2
9-3	3	G0580	DA97-12818A	ASSY CHASSIS-COMP SUB; HM10,IN_DOOR	SA	1
10	2	Z1180	NC4EVA5ALM/AK1	COMPRESSOR,BLDC IPM,15.32CC,220-240V,FAN; COMPRESSOR,BLDC IPM,15.32CC,220-240V,FAN		1
10-1	3	A0564	DA60-20008A	BOLT-HEX; SWCH45K, WHITE,ZPC	SA	4
10-2	3	A0575	DA34-00004B	RELAY PROTECTOR O/L; BK190GL2C,S/T_11.4A,	SA	1
10-3	3	Z1032	DA63-01866A	COVER RELAY; NORYL,T2.0,SSEC,BLACK,HOOK	SA	1
10-4	3	Z1112	DA63-02617A	GROMMET COMP; USP05,EPDM,OD27.0,BLACK	SA	4
11	2	A0669	DA62-04309A	DRYER; ALL,C1220T,9	SA	1
12	2	A1100	DA97-04045A	ASSY TUBE-DRAIN; ET-PJT,SOFT-PVC	SA	2
12-1	3	G0070	DA62-01268A	TUBE-PVC; A-TOP,SF-PVC,T0.7,OD19.4,L215,-	SA	2
12-2	3	G0202	DA63-00951C	GROMMET-DRAIN HOSE; V2-PJT,NBR,BLACK	SA	2
13	2		DA60-00279A	FITTING-LOKRING 16; GRAND/SAM/HERMES,11SM	SA	1
14	2		DA60-00280A	FITTING-LOKRING 33; GRAND/SAM/HERMES,11SM	SA	1
15	2		DA60-00281A	FITTING-LOKRING 43; GRAND/SAM/HERMES,11SM	SA	1
16	2	A0523	DA73-10190U	PIPE-CONNECT DISC,B; TD-PJT,C1220-T,OD6.3	SA	1
17	2	A0562	DA39-20389L	WIRE HARNESS-EARTH; 1,YELLOW/GREEN,ST 710	SA	1
18	2	A0620	DA96-00964A	ASSY W/HARNESS-MAIN; HM12, DISP., HOMEBAR	SNA	1
19	2	G0568	DA97-07070B	ASSY MOTOR-STEP VALVE; JM-PJT,-	SA	1
20	2	M0076	DA97-12759A	ASSY COVER COMP; HM10-SEPM,SGCC,T0.3	SA	1
20-1	3	Z1131	DA63-07209A	COVER COMP; HM12,GI-SGCC,T0.3	SNA	1
21	2	M0489	DA27-00041B	COIL FILTER; SSLF-203AF1,14.0mH,60*82mm,B	SA	1

Exploded Views and Parts List

No.	Lvl.	Loc.	Material Code	Description & Specification	SNA	Qty.
22	2		DA97-12874A	ASSY PIPE-CONNECT; HERMES PJT	SA	1
22-1	3	M0334	DA63-40171D	GROMMET-SUCT PIPE B; RAIL L20,NR,ID5.5,OD	SA	1
23	2	G0089	DA63-05419A	COVER PCB-PANEL; HAEMIL_CULLI,GI-SGCC,T0.	SA	1
24	2	A0927	DA61-08393A	CASE PCB-PANEL; HM10-SEPM,ABS,NTR,VE-0858	SA	1
25	1	A0952	DA92-00406A	ASSY PCB MAIN; LED DISPLAY,HM12-PJT A++,1	SNA	1
26	2	M0309	DA92-00215L	ASSY PCB INVERTER; GGH A++,15,5V,ENV2 Cu	SNA	1
27	2	A0273	DA39-10115D	CBF-POWER CORD; UCP-2,250V,10/16A,L2100,-	SA	1
28	2	M0286	DA61-04188B	HINGE-UPP L; GUGGENHEIM(EXP),SHP1,T3.0,-,	SA	1
29	2	A0813	DA61-04189B	HINGE-UPP R; GUGGENHEIM(EXP),SHP1,T3.0,-,	SA	1
30	2	M0315	DA97-07827J	ASSY VALVE WATER; HM10,NO FLOW SENSOR, 22	SA	1
30-1	3		DA61-05859A	BRACKET-WATER VALVE; HM10,GI-SGCC,T1.6,FL	SNA	1
30-2	3	G0527	DA62-02291E	VALVE WATER; HM10-INDOOR,SCP1,1.0~8.0K,GR	SC	1
31	2		DA67-03471A	CAP-NUT; HM12,SILICON,14,BLUE	SNA	1
32	2	T0093	DA60-00258B	FITTING-TUBE; TUBE FITTING A,PP,1/4'- 1/4	SA	2
33	2	A0684	DA97-11752D	ASSY-INSTALL FILTER; HM10	SA	1
33-1	3	G0525	DA62-00159C	PIPE-WATER LINE; ZIPEL,LLDPE,ID4.30,OD6.3	SA	1
33-2	3	G0589	DA65-20110B	CLAMP; -,NY-66,-,-,DN-5N,PI8.0	SA	8
33-3	3	Z1222	DA80-00002F	WRENCH-SPANNER; AW3,SM45C,Zn PLATING	SA	1
34	2	G0585	DA97-12871A	ASSY PIPE WATER-LINE; HM12,CAP TUBE , 1/4	SA	1

4. Freezer Door

Exploded View



Parts List

No.	Lvl.	Loc.	Material Code	Description & Specification	SNA	Qty.
1	2	A0051	DA91-03832A	ASSY DOOR FOAM FRE; RS77,ALF,IN DOOR I/M	SA	1
1-1	5	M0060	DA63-04341A	COVER-CAP DOOR FRE; GUGGENHEIM,ABS,-,W61.	SA	1
1-2	5	M1100	DA97-06542A	ASSY PIPE-WATER ICE; GUGGENHEIM(EXP),230V	SA	1
1-2-1	6	G0526	DA62-01368F	PIPE-WATER LINE; PERT,4.2,6.35,1000,ORANG	SA	2
1-2-2	6	M0278	DA71-20208A	FIXER-VALVE WATER B; SR-S7180,NY-6,OD6.1,	SA	1
1-3	5	A0534	DA61-03769A	MAGNET-A; HERMES,-,5x7x18,-,-,1200Gauss	SNA	1
1-4	5	M0221	DA61-04195A	STOPPER-DOOR L; GUGGENHEIM,SHP1,T3.0,-,-,	SA	1
1-5	5	M0265	DA66-00558B	CAM HINGE-RISER UPP L; POLARIS,NY-66,BLAC	SA	1
1-6	4	G0570	DA97-08290M	ASSY CASE-HANDLE FRONT; HM10,VERSAILLES S	SA	1
1-6-1	5	G0558	DA66-00713B	SHAFT-GEAR EASY; HM10,MSWR10,257,4.5	SA	1
1-6-2	5	G0225	DA66-00726B	SHAFT-HANDLE; HM10,SUM22,OD9	SNA	2
1-6-3	5	G0550	DA64-03164A	HANDLE BASE-EASY; HM10,ABS,27.9,336.1,NOB	SA	1
1-7	5	M0208	DA73-00211A	RUBBER-CAP HOSE; i4-PJT,SILICON,GRAY	SA	1
1-8	4	M0177	DA63-05588A	GROMMET-LEVER; HM10-PJT,SILICON,GRAY,HRC	SA	1
1-9	5		DA61-03467B	FIXER-HOSE; AW-PJT,HIPS,NTR	SA	1
1-10	5	M0208	DA73-00211A	RUBBER-CAP HOSE; i4-PJT,SILICON,GRAY	SA	1
2	2	G0573	DA97-12398F	ASSY-GASKET DOOR; FRE, HM10,GRAY,L1587,W3	SA	1
3	2	M0305	DA97-12817A	ASSY COVER-ICE MAKER; HM10-SEPM,135.6,299	SA	1
3-1	3		DA63-05291A	COVER-ICE MAKER B; HM10,SAN,124.3,293.9,N	SA	1
4	2	M0122	DA97-12772A	ASSY TRAY-ICE BUCKET; HM10,IN_DOOR	SA	1
4-1	3	G0552	DA64-04212A	WINDOW BUCKET; HM10,PETG,T90G,NATURAL	SA	1
4-2	3		DA66-00587A	LEVER-BUCKET L; GUGGENHEIM,ABS,29.8,76.7,	SC	1
4-3	3	G0557	DA66-00588A	LEVER-BUCKET R; GUGGENHEIM,ABS,29.8,76.7,	SA	1
4-4	3		DA61-04378A	SPRING ETC-BUCKET LEVER; GUGGENHEIM,STS30	SNA	4
4-5	3		DA63-04359C	TRAY ICE-BUCKET FRONT; HM10,ABS,COOL WHIT	SA	1

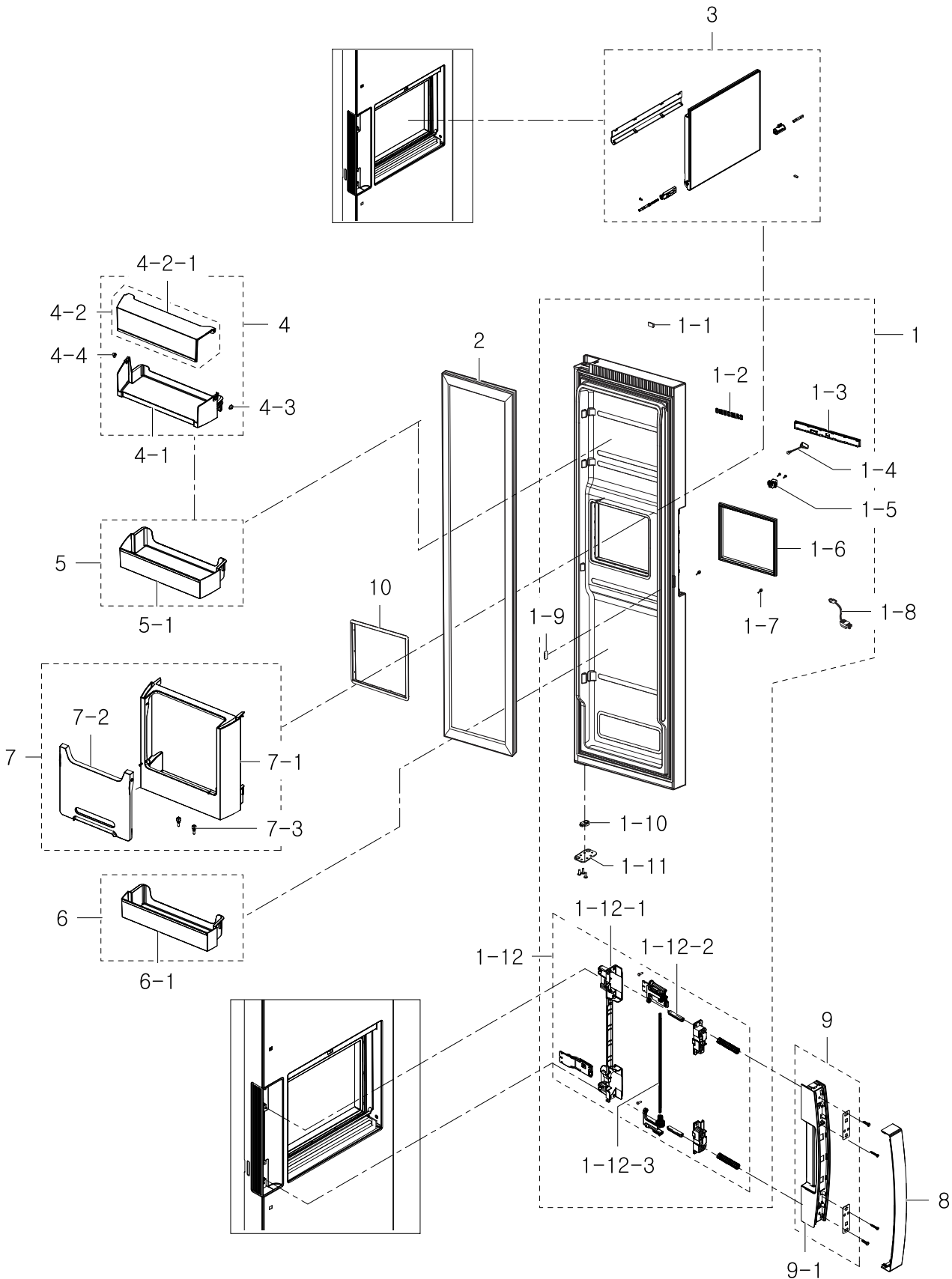
No.	Lvl.	Loc.	Material Code	Description & Specification	SNA	Qty.
4-6	3		DA63-04354C	COVER-CRUSHER BUCKET; GUGGENHEIM,ABS,HB,N	SA	1
4-7	3	M0485	DA61-02738A	MAGNET-ASS'Y; CORE-PJT,Strontium ferrite,	SA	1
4-8	3		DA65-00051A	CLAMPER CORE-HELIX; GUGGENHEIM,STS304,-,-	SNA	1
5	2	M0299	DA97-12778A	ASSY CASE AUGER MOTOR; HM10,IN_DOOR	SA	1
5-1	3	M0200	DA31-00079A	MOTOR GEARED-DISP; 15.2/18.2 rpm,50/60Hz,	SA	1
5-2	3	M0199	DA31-00210E	MOTOR GEARED-AUGER; ISG-3245SSB,150kgf.cm	SA	1
5-3	3	G0572	DA97-11248A	ASSY-CAM LEVER CUBE; SEDA,INDOOR	SA	1
5-3-1	4	M0396	DA66-00589A	CAM-LEVER CUBE; GUGGENHEIM,POM,T17.9,55	SA	1
5-3-2	4	A0534	DA33-10011A	MAGNET; SSM-390,T2,W5,L7,-,	SNA	1
5-4	3	M0393	DA61-04363B	CASE-AUGER MOTOR; HM10,GGH,ABS,COOL WHITE	SC	1
5-5	3	G0068	DA34-00043C	SWITCH REED-ASS'Y; 200VDC,1.5A,-	SA	1
5-6	3		DA96-00036P	ASSY-WIRE HARNESS SUB; GUGGENHEIM-PJT,100	SNA	1
5-7	3	M0395	DA63-04362B	COVER-MOTOR AUGER SUB; GUGGENHEIM,HIPS,NT	SA	1
5-8	3	G0564	DA97-00151B	SWITCH REED; UL1007 AWG#22,100,Molex 2P,2	SA	1
5-9	3	A0104	DA97-11092A	ASSY ICE MAKER; GGH-PJT,220~240V,50Hz	SA	1
5-9-1	4	M0394	DA63-04355A	COVER-HEATER ICE MAKER; GUGGENHEIM,ABS,47	SA	1
5-10	3		DA63-05515A	COVER-MOTOR AUGER COIL; GGH,ABS,NTR	SA	1
6	2		DA97-12783A	ASSY GUARD-FRE LOW; HM12,GPPS,NTR	SA	2
6-1	3	M0365	DA63-07068A	GUARD-FRE LOW; HM12,GPPS,T2.5,288.1,123.3	SA	2
7	2	G0282	DA97-12819A	ASSY COVER DISP; HM12,DISPENSER, EXP	SA	1
7-1	3		DA97-12811A	ASSY COVER DISP-SUB; HM12,ACRYL+ABS,ULTRA	SA	1
7-1-1	4	M0027	DA63-07086A	COVER DISPENSER; HM12,ABS,Ebony Black	SNA	1
7-1-2	4		DA64-04247B	WINDOW-COVER DISPENSER; HM12,ACRYL,T3.0,M	SNA	1
7-2	3	A0566	DA64-04242A	INLAY-DISPLAY; HM12-PJT,PET,T0.1,W134,L63	SA	1
7-3	3	G0069	DA92-00393A	ASSY PCB KIT LED; BLUE LED TOUCH*5,DISPEN	SA	1
7-4	3	G0547	DA64-02982C	BUTTON-DISPENSER; HM09,ABS,NOBLE GRAY,VER	SA	1
7-5	3	G0540	DA63-05058B	COVER-PBA PANEL DISPENSER; HM10,HIPS,NTR	SA	1
8	2		DA97-12776A	ASSY COVER-PCB PANEL REAR; HM10,IN_DOOR	SNA	1

Exploded Views and Parts List

No.	Lvl.	Loc.	Material Code	Description & Specification	SNA	Qty.
8-1	3	G0581	DA97-12836A	ASSY COVER-PCB PANEL REAR SUB; HM10,IN_DO	SA	1
8-1-1	4	G0532	DA63-03259C	COVER PCB-PANEL REAR; A-TOP 06,ABS(HG-076	SA	1
8-1-2	4	G0518	DA61-01616A	SPRING ETC-LEVER DISP WATER; AD,STS304,-,	SA	1
8-1-3	4		DA61-01868B	BRACKET-OIL DAMPER; ABS,AD,-,-,-,NTR,-	SNA	1
8-1-4	4		DA61-01869A	OIL DAMPER; AD,PC+POM,120g/Cm,OD15	SNA	1
8-1-5	4	G0530	DA63-01972A	GASKET-COVER ICE ROUTE; AD,SILICON,T1.5,-	SA	1
8-1-6	4	G0529	DA63-01971B	COVER-ICE ROUTE B; AD,ABS,-,-,-,-,NATUR	SA	1
8-1-7	4	M0216	DA61-01651A	SPRING ETC-COVER ICE ROUTE; AD,STS304,1.0	SNA	1
8-1-8	4	G0528	DA63-01970A	COVER-ICE ROUTE A; AD,ABS,T2.5,-,-,-,-,BL	SA	1
8-2	3		DA66-00685A	LEVER-DISPENSER WATER; HM09,SAN,NTR	SA	1
8-3	3		DA66-00684A	LEVER-DISPENSER ICE; HM09,SAN,NTR	SA	1
9	2	M0225	DA34-00011B	SWITCH MICRO; 250V,16A,Max 200g	SA	2
10	2	G0551	DA64-03166C	TRIM-HANDLE; HM10,A6063,VERSAILLES STS(SC	SA	1
11	2	G0571	DA97-08521A	ASSY HANDLE-FRONT; HM10,EASY-HANDLE	SA	1
11-1	3	G0549	DA64-03163A	HANDLE-FRONT EASY; HM10,ABS,40.3,352,NOBL	SA	1
12	2	A0623	DA63-07057A	GUARD FRE-UPP; HM10-SEPM,HIPS,COOL WHITE,	SA	1

5. Fridge Door

Exploded View



Parts List

No.	Lvl.	Loc.	Material Code	Description & Specification	SNA	Qty.
1	2	A0052	DA91-03855F	ASSY DOOR FOAM REF; HM10-G,P,Z OPTION,ALF	SA	1
1-1	5	A0534	DA61-03769A	MAGNET-A; HERMES,-,5x7x18,-,-,1200Gauss	SNA	1
1-2	3	M0196	DA64-04021B	MASCOT; ALL,NI,T0.05,L90	SA	1
1-3	5	G0545	DA63-07018A	COVER-LATCH REF; HM10-SEPM,ABS,NOBLE-GRAY	SA	1
1-4	5	G0068	DA34-00043C	SWITCH REED-ASS'Y; 200VDC,1.5A,-	SA	1
1-5	5	A0835	DA97-07117B	ASSY-LATCH B; SRT749XWSM,POM,BLK,SPRING	SA	1
1-6	5	M0388	DA63-05526G	GASKET HOME BAR-REF; HERMES10(75),SF-PVC,	SA	1
1-7	5	G0531	DA63-02750A	GROMMET-COVER SLIDE; ET05-PJT,SILICON,WHI	SA	2
1-8	5	A0063	DA96-00624A	ASSY W/HARNES-DOOR REF; 100~240V,HM10(IN	SA	1
1-9	4	M0177	DA63-05588A	GROMMET-LEVER; HM10-PJT,SILICON,GRAY,HRC	SA	1
1-10	5	G0554	DA66-00557A	CAM HINGE-RISER UPP R; GUGGENHEIM,NY-66,-	SA	1
1-11	5	M0222	DA61-04196A	STOPPER-DOOR R; GUGGENHEIM,SHP1,T3.0,-,-,	SA	1
1-12	4	G0570	DA97-08290M	ASSY CASE-HANDLE FRONT; HM10,VERSAILLES S	SA	1
1-12-1	5	G0550	DA64-03164A	HANDLE BASE-EASY; HM10,ABS,27.9,336.1,NOB	SA	1
1-12-2	5	G0225	DA66-00726B	SHAFT-HANDLE; HM10,SUM22,OD9	SNA	2
1-12-3	5	G0558	DA66-00713B	SHAFT-GEAR EASY; HM10,MSWR10,257,4.5	SA	1
2	2	G0574	DA97-12398G	ASSY-GASKET DOOR; REF,HM10,GRAY,L1587,W46	SA	1
3	2		DA97-07447V	ASSY HOME BAR REF; HM10-SEPM,75MM,REAL ST	SA	1
4	2	M0094	DA97-12780A	ASSY GUARD-DAIRY; HM12,GPPS,NTR	SA	1
4-1	3	A0155	DA63-07063A	GUARD-DAIRY; HM12,GPPS,NATURAL,T3.0,W423,	SA	1
4-2	3	A0660	DA63-07070A	COVER-GUARD DAIRY; HM12,GPPS,T2.5,415.4,1	SA	1
4-2-1	4	A0660	DA63-07070B	COVER-GUARD DAIRY; HM12-SEPM,GPPS,T2.5,W4	SA	1
4-3	3		DA67-02920A	CAP-HINGE DAIRY R; HERMES,POM,NTR	SA	1
4-4	3		DA67-02921A	CAP-HINGE DAIRY L; HERMES,POM,NTR	SA	1
5	2		DA97-12781A	ASSY GUARD-REF TOP; HM12,GPPS,NTR	SA	1
5-1	3		DA63-07067A	GUARD-REF TOP; HM12,GPPS,T2.5,416.6,172.7	SA	1

No.	Lvl.	Loc.	Material Code	Description & Specification	SNA	Qty.
6	2	G0400	DA97-12779A	ASSY GUARD-REF LOW; HM12,GPPS,NTR	SA	1
6-1	3	M0369	DA63-07062A	GUARD-REF LOW; HM12,GPPS,T2.5,416.6,128.3	SA	1
7	2		DA97-12782A	ASSY GUARD-H/B RECESS; HM12,GPPS,NTR	SA	1
7-1	3		DA63-07066A	GUARD-HOME BAR RECESS; HM12,GPPS,T3,416.6	SA	1
7-2	3	G0546	DA63-07056A	COVER-DOOR RECESS; HM10-SEPM,GPPS,W329.2,	SA	1
7-3	3		DK63-00260A	GROMMET-VESSEL; HNR4023/3017,SILICON,W5,L	SA	2
8	2	G0551	DA64-03166C	TRIM-HANDLE; HM10,A6063,VERSAILLES STS(SC	SA	1
9	2	G0571	DA97-08521A	ASSY HANDLE-FRONT; HM10,EASY-HANDLE	SA	1
9-1	3	G0549	DA64-03163A	HANDLE-FRONT EASY; HM10,ABS,40.3,352,NOBL	SA	1
10	2	M0401	DA64-03152A	TRIM-CASE HOME BAR OUT; HM10,ABS,HG-0760,	SA	1