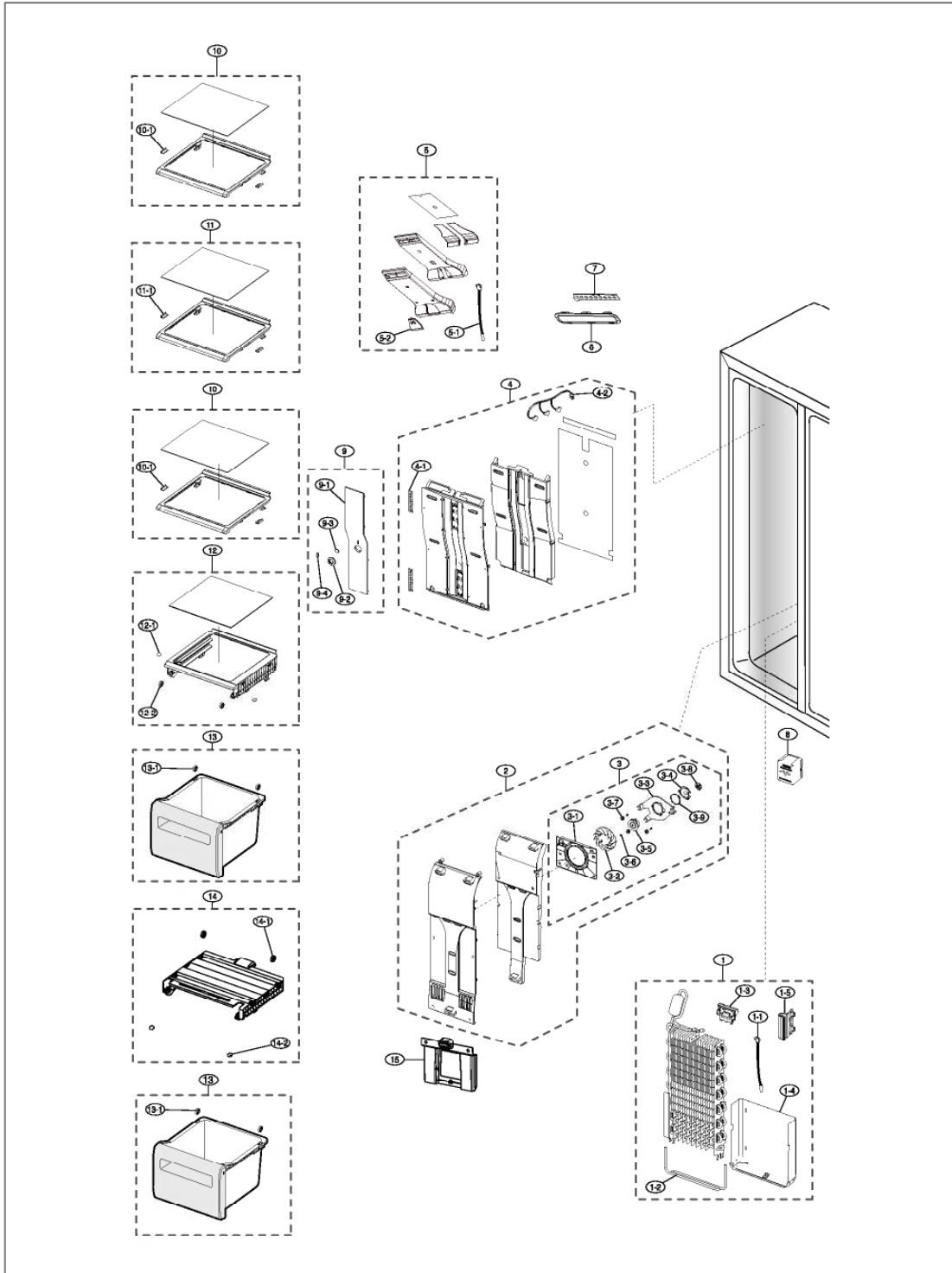


5 . EXPLODED VIEW & PART LIST

5-1) Freezer (RSG5U**, RSG5P**, RSG5J**)	80
5-2-1) Fridge (RSG5U**, RSG5P**)	82
5-2-2) Fridge (RSG5J**)	85
5-3) Cabinet & Unit (RSG5U/P/J**/PC**)	88
5-4-1) Freezer Door (RSG5U**, RSG5P**, RSG5J**)	91
5-4-2) Freezer Door (RSG5PC**)	94
5-5-1) Fridge Door (RSG5U**, RSG5J**)	97
5-5-2) Fridge Door (RSG5P**)	99
5-5-3) Fridge Door (RSG5PC**)	102

5 . EXPLODED VIEW & PART LIST

5-1) Freezer (RSG5U**, RSG5P**, RSG5J**)



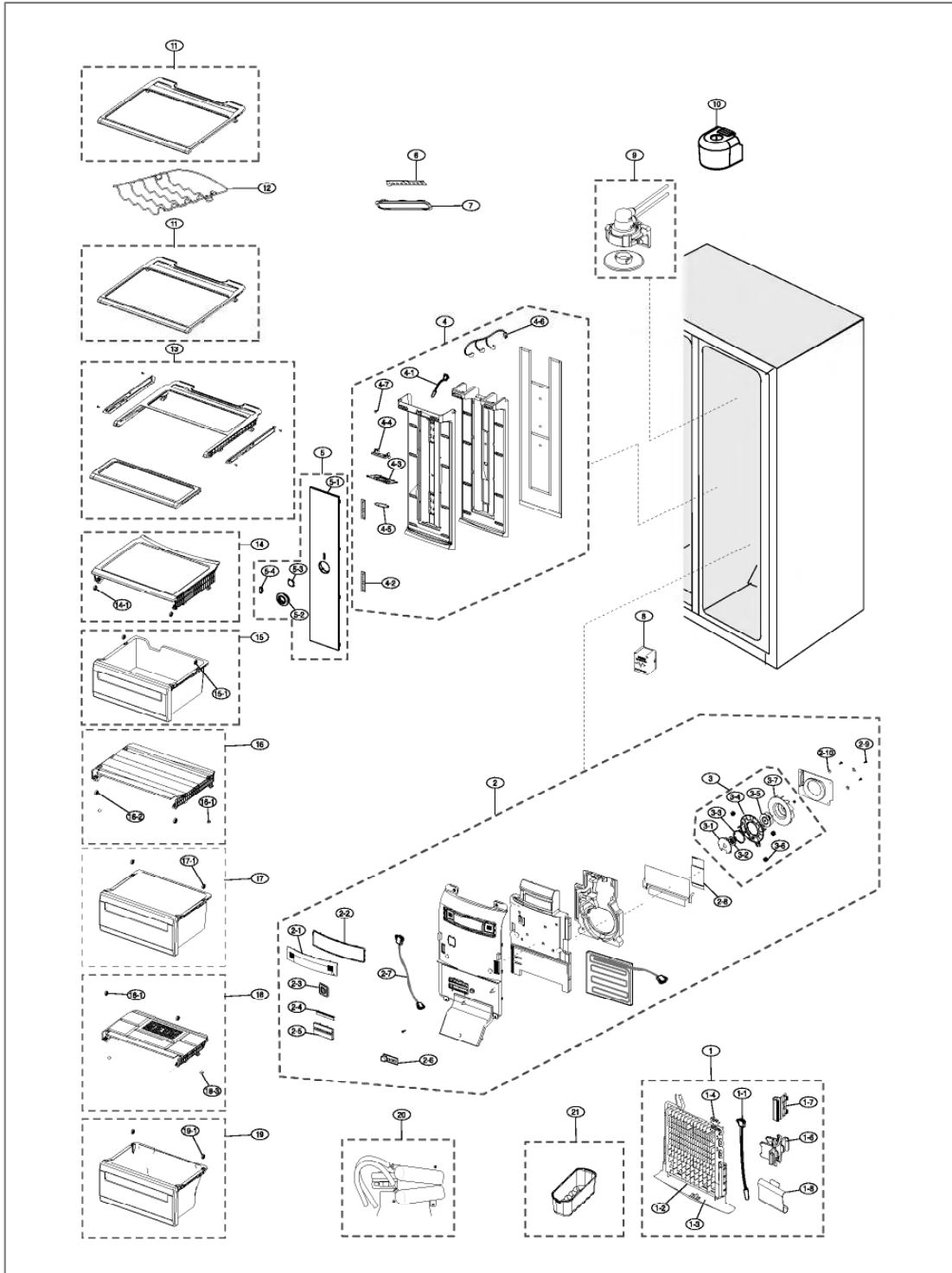
EXPLODED VIEW & PART LIST

■ Parts List of Freezer (RSG5U**, RSG5P**, RSG5J**)

NO	CODE-NO	PART NAME	Spec	Quantity	Remark	SA/SNA
1	DA96-00437F	ASSY EVAP-FRE	GGH09-PJT,EU(R,G),230V,HEATER-METAL SHEATH	1		SNA
1-1	DA32-00029E	SENSOR TEMP	DTN-SAU003S,-40-110°...5V...Without TPA,WHT,400MM	1		SA
1-2	DA47-00246K	HEATER SHEATH-FRE	-,GUGGENHEIM,-,230W,-,230V/230.0,-,-	1		SA
1-3	DA61-02901A	FIXER-SENSOR EVAP	PP,NTR	1		SA
1-4	DA61-05990A	PLATE-DRAIN EVAP FRE	AL,T0.4	1		SA
1-5	DA47-00301F	THERMO FUSE-ASSY	120V/250V,15A/10A,109-110,200mm	1		SA
2	DA97-06098D	ASSY-COVER EVAP FRE	Guggenheim,230V,-,EXP	1		SA
3	DA97-06096A	ASSY MOTOR-FAN FRE	GUGGENHEIM,BLDC,130.5	1		SA
3-1	DA61-04111A	PLATE-FAN MOTOR FRE	GUGGENHEIM,ABS+GLASSFIBER,T2.0,-,-,NATURAL,10%	1		SA
3-2	DA31-00213A	FAN-BACKWARD	-,GUGGENHEIM,ABS,PI 130.5,WING 11	1		SA
3-3	DA61-04110A	BRACKET-MOTER FRE	GUGGENHEIM,ABS+GLASSFIBER,NATURAL,10%	1		SA
3-4	DA61-04129A	BRACKET-MOTOR REF B	-,ABS,T2.0,-,-,NTR,-	1		SA
3-5	DA31-00211A	MOTOR BLDC-COMPACT	DREP5060RA,1800,-,DC 12V,...,3.0 W,-,CW,...	1		SA
3-6	6002-000520	SCREW-TAPPING	TH,+,-,2,M4,L12,ZPC(WHT),SWRCH18A,-	3		SA
3-7	DA63-04118A	GROMMET-MOTOR	GUGGENHEIM,SILICON,-,-,ID8,OD18,WHITE,-	3		SA
3-8	DA63-04130A	GROMMET-MOTOR LOW	GUGGENHEIM,RUBBER,-,-,-,-,BLACK,-	1		SA
3-9	DA63-04131A	GROMMET-MOTOR HIGH	GUGGENHEIM,RUBBER,-,-,-,-,BLACK,-	1		SA
3-10	DA60-40104J	WASHER	-,PI 4.2,-,T0.8,T3-PJT,-,-,STS304,-	1		SA
4	DA97-06444A	ASSY COVER-MULTI FRE	GUGGENHEIM,-,-,-,-,-,white,DISP,LED	1		SA
4-1	DA41-00519B	PBA-LED LAMP	GGH-PJT,F-ROOM,FR-4,3chip 6EA,12V,50/60Hz	2		SA
4-2	DA96-00424B	ASSY W/HARNESS-LED LAMP	GUGGENHEIM,W/H LED LAMP	1		SA
5	DA97-06469B	ASSY COVER-ICE DUCT FRE	GUGGENHEIM,DISP,WHITE,SENSOR TEMP L150	1		SA
5-1	DA32-10109Y	SENSOR TEMP	502AT,A-TOP,-,5V,-,-,R-SENSOR,BLUE,350MM	1		SC
5-2	DA67-02035A	CAP-SENSOR ICE DUCT	GUGGENHEIM,PP,T2.0,-,-,COOL WHITE,DISP TYPE	1		SA
6	DA63-04119A	COVER LAMP-LED FRONT	GUGGENHEIM,ABS NATURAL,T2.0,-,-,-,-,-	1		SA
7	DA41-00519B	PBA-LED LAMP	GGH-PJT,F-ROOM,FR-4,3chip 6EA,12V,50/60Hz	1		SA
8	DA63-02902B	COVER-FIXER HOUSING V	NEXT-PJT,GALVA,T0.3,W31,L42,-,-,-	1		SA
9	DA97-06100A	ASSY-COVER LAMP FRE	GUGGENHEIM,LED TYPE,-,-	1		SA
9-1	DA63-04117A	COVER LAMP-FRE	GUGGENHEIM,PP,T2.0,-,-,-,-,TRP,-	1		SA
9-2	DA63-04121A	COVER-SENSOR MID A	GUGGENHEIM,ABS,T2.0,-,-,-,-,AL PLATE	1		SA
9-3	DA63-04122A	COVER-SENSOR MID B	GUGGENHEIM,GPPS,T2.0,-,-,-,-,SMOG	1		SA
9-4	DA63-04123A	COVER-SENSOR MID C	GUGGENHEIM,ABS,T2.0,-,-,-,-,AL PLATE	1		SA
10	DA97-06438A	ASSY SHELF FRE-TOP	GUGGENHEIM-PJT,DISP	2	RSG5*U**	SA
	DA97-06205A	ASSY SHELF FRE-MID B	GUGGENHEIM-PJT,BEST,TRIM-DECO		RSG5*C**	
10-1	DA64-00090B	TRIM-SHELF	A-TOP,LDPE,WHITE,-,-,-,-	2		SA
11	DA97-06439A	ASSY SHELF FRE-MID A	GUGGENHEIM-PJT,DISP	1	RSG5*U**	SA
	DA97-07885A	ASSY SHELF FRE-MID A	GGH09,BEST,TRIM-DECO		RSG5*C**	
11-1	DA64-00090B	TRIM-SHELF	A-TOP,LDPE,WHITE,-,-,-,-	2		SA
12	DA97-06137A	ASSY SHELF-FRE LOW	GUGGENHEIM,HIPS	1		SA
12-1	DA63-04402A	GROMMET-COVER SUB	GUGGENHEIM,SILICON,-,-,-,-,-	2		SA
12-2	DA66-10104C	ROLLER-FRE	GUGGENHEIM,POM,OD22,-,NTR,-,-	2		SA
13	DA97-06133E	ASSY CASE-BASKET UP	GUGGENHEIM,-,-,-,-,SAN+HIPS,EXPORT	2		SA
13-1	DA66-10104C	ROLLER-FRE	GUGGENHEIM,POM,OD22,-,NTR,-,-	2		SA
14	DA97-06135A	ASSY COVER-BASKET LOW	GUGGENHEIM,-,-,-,-,-,SAN	1		SA
14-1	DA66-10104C	ROLLER-FRE	GUGGENHEIM,POM,OD22,-,NTR,-,-	2		SA
14-2	DA63-04402A	GROMMET-COVER SUB	GUGGENHEIM,SILICON,-,-,-,-,-	2		SA
15	DA63-04543A	COVER EVAP-FRE SUB	Guggenheim-PJT,ABS,T2.0,-,-,-,-,COOL WHITE,-	1		SA

EXPLODED VIEW & PART LIST

5-2-1) Fridge (RSG5U**, RSG5P**)



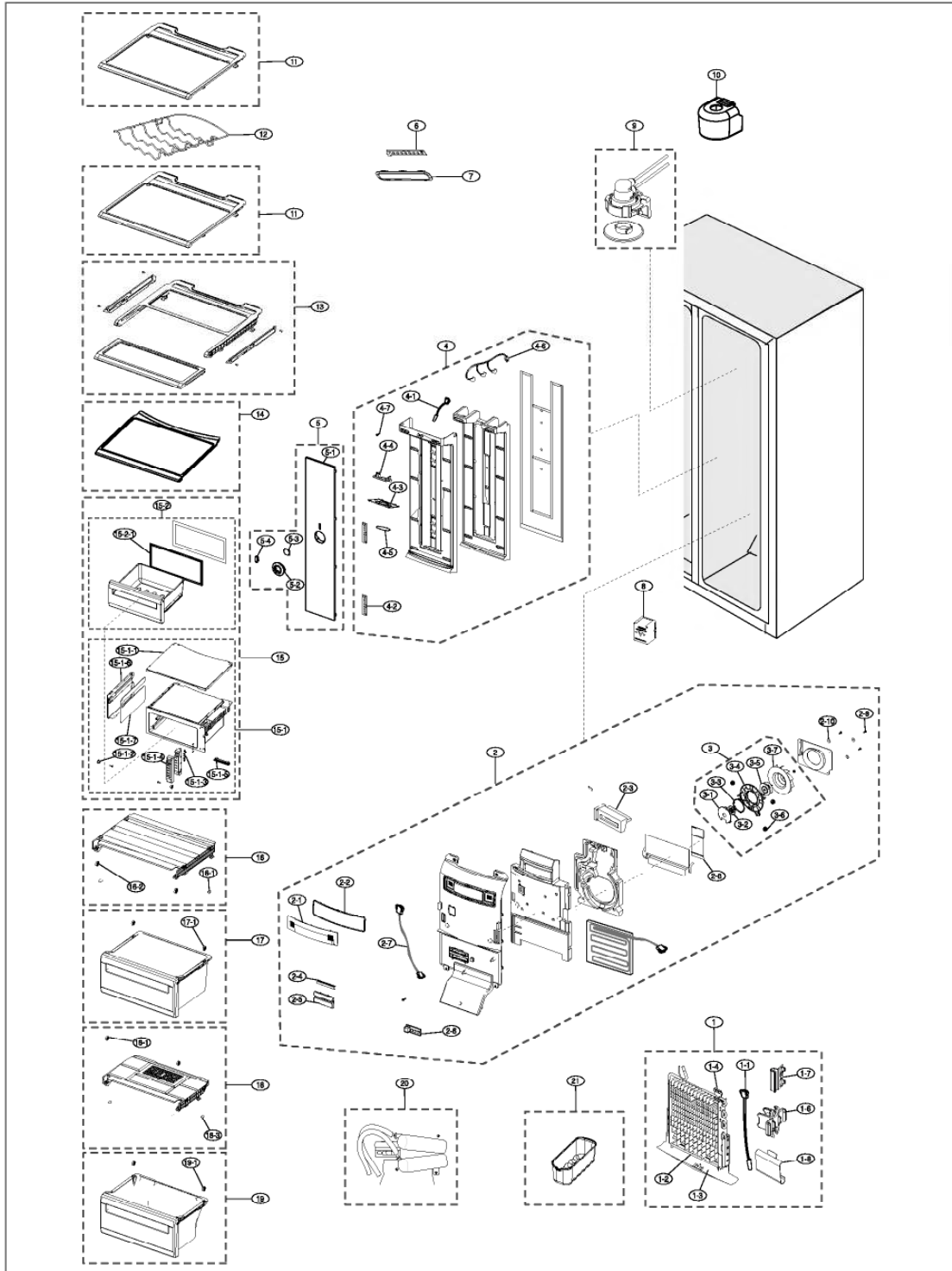
EXPLODED VIEW & PART LIST

■ Parts List of Fridge (RSG5U**, RSG5P**)

NO	CODE-NO	PART NAME	Spec	Quantity	Remark	SA/SNA
1	DA96-00440F	ASSY EVAP-REF	GGH09,PIN,230V,140W,HEATER-METAL SHEATH	1		SA
1-1	DA32-00029E	SENSOR TEMP	DTN-SAU003S,-40-110°...5V...Without TPA,WHT,400MM	1		SA
1-2	DA47-00247M	HEATER SHEATH-REF	-GUGGENHEIM,-140W,-230V,377.8...	1		SA
1-3	DA61-03358A	PLATE-DRAIN EVAP REF	HERMES,GALVANUM,TO.3,...	1		SA
1-4	DA61-02901A	FIXER-SENSOR EVAP	CORE-PJT,PP,-NTR,-	1		SA
1-5	DA47-00301E	THERMO FUSE-ASSY	GGH,-120V/250V,15A/10A,109-110°...,,400mm,...	1		SA
1-6	DA61-04922A	FIXER-HEATER REF	HERMES-PJT,PP,T2.5,NTR,-	1		SA
1-7	DA61-05160A	FIXER-FUSE	CULLI_09,PP,BJ-730,NTR,-	1		SA
1-8	DA61-05192A	FIXER-HEATER	CULLI_09,AL,TO.6,-A1100P-H24	1		SA
1-9	DA61-05333A	FIXER-EVAP SUB	GGH,AL,2.0	1		SA
2	DA97-06097J	ASSY-COVER EVAP REF	GUGGENHEIM,LED,CHILD,DISP 230V,SEAL ADD,-	1		SA
2-1	DA63-04129B	COVER-PURIFIER LOW	GUGGENHEIM,PP,.....,COOL WHITE,EXP	1		SA
2-2	DA64-02468A	TRIM-PURIFIER LOW	GUGGENHEIM,ABS,....,AL PLATE,-	1		SA
2-3	DA61-04393A	GUIDE AIR-REF	GUGGENHEIM-PJT,HIPS,....,CHILLD ROOM	1		SA
2-4	DA64-02599A	TRIM-LED REF LOW	GUGGENHEIM,HIPS,-,T1.5,-WHT,-	1		SA
2-5	DA63-04128A	COVER-LED REF LOW	GUGGENHEIM,SAN,.....	1		SA
2-6	DA96-00392A	ASSY-LAMP_LED	CUBIC,ROOM LAMP_LED 60mA	1		SA
2-7	DA96-00424C	ASSY W/HARNES-LED LAMP	GUGGENHEIM,W/H LED LAMP VEG	1		SA
2-8	DA61-04436A	PLATE-DRAIN INS EVAP REF	GUGGENHEIM,ALUMINIUM,TO.3,...	1		SA
2-9	6002-000471	SCREW-TAPPING	TH,+,1MM,L12,PASS,STS304-	3		SA
2-10	DA60-40104J	WASHER	-,PI 4.2,-,TO 8,T3-PJT,-,STS304-	1		SA
3	DA97-06095A	ASSY MOTOR-FAN REF	GUGGENHEIM,BLDC P1130.5	1		SA
3-1	DA61-04129A	BRACKET-MOTOR REF B	-ABS,T2.0,-,NTR,-	1		SA
3-2	DA63-04130A	GROMMET-MOTOR LOW	GUGGENHEIM,RUBBER,....,BLACK,-	1		SA
3-3	DA63-04131A	GROMMET-MOTOR HIGH	GUGGENHEIM,RUBBER,....,BLACK,-	1		SA
3-4	DA61-04128A	BRACKET-MOTOR REF A	GUGGENHEIM-PJT,ABS+GLASSFIBER,T2.0,-,NTR,10%	1		SA
3-5	DA31-00211B	MOTOR BLDC-COMPACT	DREPS060RB,1550,-DC 12V,....,3.0 W,-,CW,.....	1		SA
3-6	DA63-04118A	GROMMET-MOTOR	GUGGENHEIM,SILICON,....,ID8,OD18,WHITE,-	3		SA
3-7	DA31-00213A	FAN-BACKWARD	-GUGGENHEIM,ABS,PI 130.5,WING 11	1		SA
4	DA97-06101C	ASSY-COVER MULT REF	GUGGENHEIM,LED,EXP,-	1		SA
4-1	DA32-10109W	SENSOR TEMP	PX-41C,502AT-2,A-TOP,5V,F,R-SENSOR,BLUE,250mm	1		SC
4-2	DA41-00519A	PBA-LED LAMP	GGH-PJT,R-ROOM,FR-4,3chip 8EA,12V,50/60Hz	2		SA
4-3	DA63-04126A	COVER-PURIFIER HIGH A	GUGGENHEIM,PP,.....,COOL-WHITE,-	1		SA
4-4	DA63-04127A	COVER-PURIFIER HIGH B	GUGGENHEIM,NIPS,.....	1		SA
4-5	DA64-02465A	TRIM-PURIFIER UPP	GUGGENHEIM,ABS,....,AL PLATE,-	1		SA
4-6	DA96-00424A	ASSY W/HARNES-LED LAMP	geggenheim,W/H LED LAMP	1		SA
4-7	6003-000333	SCREW-TAPTYPE	RH,+,2S,M3,L10,ZPC(WHT),SWRCH18A,-	2		SA
5	DA97-06092A	ASSY COVER-LAMP REF	GUGGENHEIM,.....,LED	1		SA
5-1	DA63-04120A	COVER LAMP-LED REF	GUGGENHEIM,PP,T2.0,.....	1		SA
5-2	DA63-04121A	COVER-SENSOR MID A	GUGGENHEIM,ABS,T2.0,.....,AL PLATE	1		SA
5-3	DA63-04122A	COVER-SENSOR MID B	GUGGENHEIM,GPPS,T2.0,.....,SMOG	1		SA
5-4	DA63-04123A	COVER-SENSOR MID C	GUGGENHEIM,ABS,T2.0,.....,AL PLATE	1		SA
6	DA41-00519B	PBA-LED LAMP	GGH-PJT,F-ROOM,FR-4,3chip 8EA,12V,50/60Hz	1		SA
7	DA63-04119A	COVER LAMP-LED FRONT	GUGGENHEIM,ABS NATURAL,T2.0,.....	1		SA
8	DA63-02902B	COVER-FIXER HOUSING V	NEXT-PJT,GALVA,TO.3,W31,L42,.....	1		SA
9	DA97-06317A	ASSY CASE-FILTER	AW,.....	1		SA
10	DA63-04150B	COVER-FILTER	AW,HIPS,-,96.0,73.6,-,COOL WHITE,1c™ SILK PRINTING	1		SA
11	DA67-01929A	SHELF REF-TOP	GUGGENHEIM-PJT,PP+GLASS,SC-02740R,-	2	RSG5*U**	SA
	DA97-06205A	ASSY SHELF REF-TOP BEST	GUGGENHEIM-PJT,BEST, TRIM-DECO		RSG5*C**	
12	DA75-00208A	RACK-WINE	GUGGENHEIM-PJT,STS204,OD5.0,.....	1		SA
13	DA97-06102A	ASSY-SHELF REF-FOLD	GUGGENHEIM-PJT,-,BETTER,-	1	RSG5*U**	SA

EXPLODED VIEW & PART LIST

5-2-2) Fridge (RSG5J**)



EXPLODED VIEW & PART LIST

■ Parts List of Fridge (RSG5J**)

NO	CODE-NO	PART NAME	Spec	Quantity	Remark	SA/SNA
1	DA96-00440F	ASSY EVAP-REF	GGH09,PIN,230V,140W,HEATER-METAL SHEATH	1		SA
1-1	DA32-00029E	SENSOR TEMP	DTN-SAU003S,-40-110°...5V...Without TPA,WHT,400MM	1		SA
1-2	DA47-00247M	HEATER SHEATH-REF	-GUGGENHEIM,-,140W,-,230V,377.8,...	1		SA
1-3	DA61-03358A	PLATE-DRAIN EVAP REF	HERMES,GALVANUME,T0.3,...	1		SA
1-4	DA61-02901A	FIXER-SENSOR EVAP	CORE-PJT,PP,-,NTR,-	1		SA
1-5	DA47-00301E	THERMO FUSE-ASSY	GGH,-,120V/250V,15A/10A,109-110°...,,;400mm,...	1		SA
1-6	DA61-04922A	FIXER-HEATER REF	HERMES-PJT,PP,T2.5,NTR,-	1		SA
1-7	DA61-05160A	FIXER-FUSE	CULLI_09,PP,BJ-730,NTR,-	1		SA
1-8	DA61-05192A	FIXER-HEATER	CULLI_09,AL,T0.6,-,A1100P-H24	1		SA
1-9	DA61-05333A	FIXER-EVAP SUB	GGH,AL,2.0	1		SA
2	DA97-06097L	ASSY-COVER EVAP REF	GUGGENHEIM,LED,CHILD,DISP 230V,SEAL ADD,-	1		SA
2-1	DA63-04129B	COVER-PURIFIER LOW	GUGGENHEIM,PP,.....,COOL WHITE,EXP	1		SA
2-2	DA64-02468A	TRIM-PURIFIER LOW	GUGGENHEIM,ABS,....,AL PLATE,-	1		SA
2-3	DA31-00043L	MOTOR DC-DAMPER	NSBA001TG1,MAX 60mA,387,DC 12V,PRINTED-HEATER	1		SA
2-4	DA64-02599A	TRIM-LED REF LOW	GUGGENHEIM,HIPS,-,T1.5,-,WHT,-	1		SA
2-5	DA63-04128A	COVER-LED REF LOW	GUGGENHEIM,SAN,.....	1		SA
2-6	DA96-00392A	ASSY-LAMP_LED	CUBIC,ROOM LAMP_LED 60mA	1		SA
2-7	DA96-00424C	ASSY W/HARNES-LED LAMP	GUGGENHEIM,W/H LED LAMP VEG	1		SA
2-8	DA61-04436A	PLATE-DRAIN INS EVAP REF	GUGGENHEIM,ALUMINIUM,T0.3,...	1		SA
2-9	6002-000471	SCREW-TAPPING	TH,+,1M4,L12,PASS,STS304-	3		SA
2-10	DA60-40104J	WASHER	-,PI 4.2,-,T0.8,T3-PJT,-,STS304-	1		SA
3	DA97-06095A	ASSY MOTOR-FAN REF	GUGGENHEIM,BLDC P1130.5	1		SA
3-1	DA61-04129A	BRACKET-MOTOR REF B	-ABS,T2.0,-,NTR,-	1		SA
3-2	DA63-04130A	GROMMET-MOTOR LOW	GUGGENHEIM,RUBBER,.....,BLACK,-	1		SA
3-3	DA63-04131A	GROMMET-MOTOR HIGH	GUGGENHEIM,RUBBER,.....,BLACK,-	1		SA
3-4	DA61-04128A	BRACKET-MOTOR REF A	GUGGENHEIM-PJT,ABS+GLASSFIBER,T2.0,-,NTR,10%	1		SA
3-5	DA31-00211B	MOTOR BLDC-COMPACT	DREPS060RB,1550,-,DC 12V,....,3.0 W,....,CW,.....	1		SA
3-6	DA63-04118A	GROMMET-MOTOR	GUGGENHEIM,SILICON,....,ID8,OD18,WHITE,-	3		SA
3-7	DA31-00213A	FAN-BACKWARD	-GUGGENHEIM,ABS,PI 130.5,WING 11	1		SA
4	DA97-06101C	ASSY-COVER MULT REF	GUGGENHEIM,LED,EXP,-	1		SA
4-1	DA32-10109W	SENSOR TEMP	PX-41C,502AT-2,A-TOP,5V,F,R-SENSOR,BLUE,250mm	1		SA
4-2	DA41-00519A	PBA-LED LAMP	GGH-PJT,F-ROOM,FR-4,3chip 8EA,12V,50/60Hz	2		SA
4-3	DA63-04126A	COVER-PURIFIER HIGH A	GUGGENHEIM,PP,.....,COOL-WHITE,-	1		SA
4-4	DA63-04127A	COVER-PURIFIER HIGH B	GUGGENHEIM,NIPS,.....	1		SA
4-5	DA64-02465A	TRIM-PURIFIER UPP	GUGGENHEIM,ABS,....,AL PLATE,-	1		SA
4-6	DA96-00424A	ASSY W/HARNES-LED LAMP	geggenheim,W/H LED LAMP	1		SA
4-7	6003-000333	SCREW-TAPTYPE	RH,+,2S,M3,L10,ZPC(WHT),SWRCH18A,-	2		SA
5	DA97-06092A	ASSY COVER-LAMP REF	GUGGENHEIM,.....,LED	1		SA
5-1	DA63-04120A	COVER LAMP-LED REF	GUGGENHEIM,PP,T2.0,.....	1		SA
5-2	DA63-04121A	COVER-SENSOR MID A	GUGGENHEIM,ABS,T2.0,.....,AL PLATE	1		SA
5-3	DA63-04122A	COVER-SENSOR MID B	GUGGENHEIM,GPPS,T2.0,.....,SMOG	1		SA
5-4	DA63-04123A	COVER-SENSOR MID C	GUGGENHEIM,ABS,T2.0,.....,AL PLATE	1		SA
6	DA41-00519B	PBA-LED LAMP	GGH-PJT,F-ROOM,FR-4,3chip 6EA,12V,50/60Hz	1		SA
7	DA63-04119A	COVER LAMP-LED FRONT	GUGGENHEIM,ABS NATURAL,T2.0,.....	1		SA
8	DA63-02902B	COVER-FIXER HOUSING V	NEXT-PJT,GALVA,T0.3,W31,L42,.....	1		SA
9	DA97-06317A	ASSY CASE-FILTER	AW,.....	1		SA
10	DA63-04150B	COVER-FILTER	AW,HIPS,-,96.0,73.6,-,COOL WHITE,16™ SILK PRINTING	1		SA
11	DA67-01929A	SHELF REF-TOP	GUGGENHEIM-PJT,PP+GLASS,SC-02740R,-	2	RSG5*U**	SA
	DA97-06205A	ASSY SHELF REF-TOP BEST	GUGGENHEIM-PJT,BEST,TRIM-DECO		RSG5*C**	
12	DA75-00208A	RACK-WINE	GUGGENHEIM-PJT,STS204,OD5.0,.....	1		SA
13	DA97-06102A	ASSY-SHELF REF-FOLD	GUGGENHEIM-PJT,-,BETTER,-	1	RSG5*U**	SA

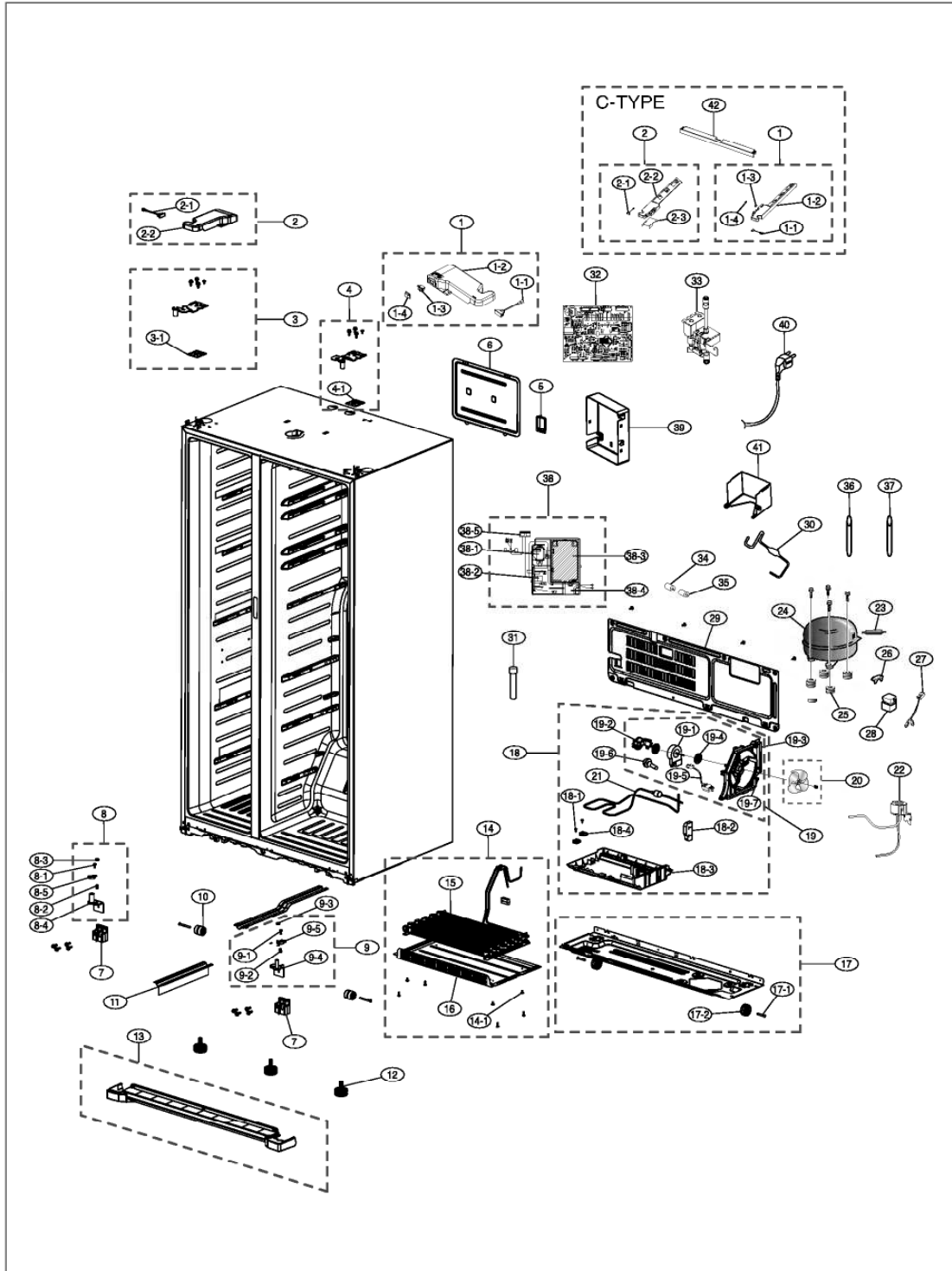
EXPLODED VIEW & PART LIST

■ Parts List of Fridge (RSG5J**)

NO	CODE-NO	PART NAME	Spec	Quantity	Remark	SA/SNA
13	DA97-06189A	ASSY SHELF REF-FOLD BEST	GUGGENHEIM-PJT,BEST, TRIM-DECO		RSG5**C**	SA
14	DA67-02047A	SHELF REF-CONVERTBLE	GUGGENHEIM,PP+GLASS,,,COOL-WHITE,-	1		SA
14-1	DA66-10104C	ROLLER-FRE	GUGGENHEIM,POM,OD22,,NTR,,	2		SA
15	DA97-06130B	ASSY-CONVERTIBLE	GUGGENHEIM,EXP,230V,,	1		SA
15-1	DA97-06138B	ASSY CASE-CONVERTIBLE	GGH,EXP_230V,,,,	1		SA
15-1-1	DA67-01935A	SHELF REF-CONVERTIBLE SUB	GUGGENHEIM,ABS,,,COOL-WHITE,-	1		SA
15-1-2	DA66-00151A	ROLLER-FRONT	A-TOP,POM,*16,-,WHT,-,CONVERTIBLE	2		SA
15-1-3	DA64-02436A	BUTTON-CONVERTIBLE	CULLINAN 08,HIPS,-,COOL-WHITE,-	1		SA
15-1-4	DA63-04169A	COVER-CONTROL CONVERTIBLE	GUGGENHEIM,HIPS,,,,,COOL-WHITE,-	1		SA
15-1-5	DA63-03056B	COVER-LED	SAPPHIRE-PJT,SAN,,,,,DOM,CLEARNESS,-	1		SA
15-1-6	DA61-04420A	PLATE-CONVERTBLE	GUGGENHEIM,SBHG1,,,,,	1		SA
15-1-7	DA47-00282A	HEATER-CONVERTIBLE	-,GUGGENHEIM,-,3W,-,230V,176330V,-,3750mm,-	1		SA
15-2	DA97-06139B	ASSY TRAY-CONVERTIBLE	GGH_EXP,,,,,	1		SA
15-2-1	DA63-01783H	GASKET-CONVERTIBLE	GUGGENHEIM,SF-PVC,,,,,SC-97527R,,CONVERTIBLE	1		SA
16	DA97-06136A	ASSY COVER-VEG UP	GUGGENHEIM,,,,,,SAN	1		SA
16-1	DA63-04402A	GROMMET-COVER SUB	GUGGENHEIM,SILICON,,,,,,	2		SA
16-2	DA66-10104C	ROLLER-FRE	GUGGENHEIM,POM,OD22,,NTR,,	2		SA
17	DA97-06132E	ASSY CASE-VEG MID	GUGGENHEIM,,,,,SAN+HIPS,EXPORT	1		SA
17-1	DA66-10104C	ROLLER-FRE	GUGGENHEIM,POM,OD22,,NTR,,	2		SA
18	DA97-07839A	ASSY COVER VEG-LOW	GGH09,SAN	1		SA
18-1	DA66-10104C	ROLLER-FRE	GUGGENHEIM,POM,OD22,,NTR,,	2		SA
18-2	DA63-04402A	GROMMET-COVER SUB	GUGGENHEIM,SILICON,,,,,,	2		SA
19	DA97-06131E	ASSY CASE-VEG LOW	GUGGENHEIM,,,,,SAN+HIPS,EXPORT	1		SA
19-1	DA66-10104C	ROLLER-FRE	GUGGENHEIM,POM,OD22,,NTR,,	2		SA
20	DA97-08536B	ASSY TANK WATER	GUGGENHEIM,PJT,,,,,	1		SA
21	DA97-02806A	ASSY TRAY-EGG	EPEL,T2.5,W324.5,L122.2,H122.5,-	1		SA

EXPLODED VIEW & PART LIST

5-3) Cabinet & Unit (RSG5U/P/J**/PC**)



EXPLODED VIEW & PART LIST

■ Parts List of Cabinet & Unit (RSG5U/P/J**/PC**)

NO	CODE-NO	PART NAME	Spec	Quantity	Color	Remark	SA/SNA
1	DA97-07853A	ASSY COVER HINGE-UPP R	GGH09,ASSY,NOBLE GRAY	1	RS/MH/PN		SA
	DA97-07853B		GGH09,ASSY,I-BLACK		BP		
	DA97-07853C		GGH09,ASSY,TITAN GRAY		PS		
	DA97-07853D		GGH09,ASSY,SNOW WHITE		SW/EW		
	DA97-07882A	ASSY TOP TABLE-R	GGH09,ASSY,NOBLE GRAY	1	RS	RSG5PC**	SA
1-1	DA34-00043F	SWITCH REED-ASSY	200VDC,1.5A,HERMES,GGH	1			SA
1-2	DA63-05132A	COVER-HINGE UPP R	GGH09,ABS,NOBLE GRAY	1	RS/MH/PN	RSG5*U**	SA
	DA63-05132B		GGH09,ABS,I-BLACK		BP		
	DA63-05132C		GGH09,ABS,TITAN GRAY		PS		
	DA63-05132D		GGH09,ABS,SNOW WHITE		SW		
	DA64-02945A	TOP TABLE-R	GGH09,ABS,NOBLE GRAY	1	RS	RSG5PC**	SA
1-3	3402-000165	SWITCH-ROCKER	125250V,12/6A,SPST,ON-OFF	1			SA
1-4	DA63-05170A	GROMMET-COVER SWITCH	GGH09,SILICON,WHITE,NON PRINTING	1			SA
2	DA97-06160C	ASSY COVER HINGE-UPP L	GUGGENHEIM(EXP),NOBLE GRAY,INCOMBUSTIBILITY	1	RS/MH/PN	RSG5*U**	SA
	DA97-06160E		GUGGENHEIM(EXP),I-BLACK,INCOMBUSTIBILITY		BP		
	DA97-06160G		GUGGENHEIM(EXP),TITAN GRAY,INCOMBUSTIBILITY		PS		
	DA97-06160F		GUGGENHEIM(EXP),SNOW WHITE,INCOMBUSTIBILITY		SW/EW		
	DA97-07883A	ASSY TOP TABLE-L	GGH09,ASSY,NOBLE GRAY	1	RS	RSG5PC**	SA
2-1	DA34-00043C	SWITCH REED-ASS'Y	200VDC,1.5A-	1			SA
2-2	DA63-04181C	COVER HINGE-UPP L	GUGGENHEIM(EXP),NOBLE GRAY	1	RS/MH/PN	RSG5*U**	SA
	DA63-04181E		GUGGENHEIM(EXP),I-BLACK		BP		
	DA63-04181G		GUGGENHEIM(EXP),TITAN GRAY		PS		
	DA63-04181F		GUGGENHEIM(EXP),SNOW WHITE		SW		
	DA64-02944A	TOP TABLE-L	GGH09,ABS,NOBLE GRAY	1	RS	RSG5PC**	SA
2-3	DA61-04527A	PLATE-COVER HINGE	GGH09,SBHG1	1			SA
3	DA97-06155B	ASSY HINGE UPP-R	GUGGENHEIM(EXP),T3.0,-,BLACK,-,-	1			SA
3-1	DA63-50192A	SHIM-HINGE UPP	-,RD-PVC,T1.0,-,L360,-,-	1			SA
4	DA97-06156B	ASSY HINGE UPP-L	GUGGENHEIM(EXP),T3.0,-,BLACK,-,-	1			SA
4-1	DA63-50192A	SHIM-HINGE UPP	-,RD-PVC,T1.0,-,L360,-,-	1			SA
5	DA63-00586B	COVER-TUBE FILTER	A-TOP,PP,-,W76,L83,-,-,NTR,-	1			SA
6	DA97-06120A	ASSY COVER-PCB PANEL MAIN	GUGGENHEIM,SBHG1,T0.6,-,-,-,-,-	1			SA
7	DA61-04215A	BRACKET HINGE-LOW	GUGGENHEIM,AL,-,-,-,-,-	2			SA
8	DA97-06158A	ASSY HINGE LOW-L	GUGGENHEIM,-,-,BLK,-,-	1			SA
8-1	6003-001435	SCREW-TAPTYPE	HHH,-,-,S,M5L12.7ZPC(WHT),SWRCH18A,-	1			SA
8-2	6011-001442	BOLT-SOCKET	M8L13.4ZPC(BLK),SCHM435,-	1			SA
8-3	6021-001125	NUT-HEXAGON	3,M8, P1.25,ZPC(BLK),SWRCH10A,-	1			SA
8-4	DA61-04191A	HINGE-LOW L	GUGGENHEIM,SHP1,T4.5,-,-,-,-,-	1			SA
8-5	DA66-00560A	CAM HINGE-RISER LOW L	GUGGENHEIM,NY-66,-,-,BLACK,-,-,-,-	1			SA
9	DA97-06157A	ASSY HINGE LOW-R	GUGGENHEIM,-,-,BLK,-,-	1			SA
9-1	6003-001435	SCREW-TAPTYPE	HHH,-,-,S,M5L12.7ZPC(WHT),SWRCH18A,-	1			SA
9-2	6011-001442	BOLT-SOCKET	M8L13.4ZPC(BLK),SCHM435,-	1			SA
9-3	6021-001125	NUT-HEXAGON	3,M8, P1.25,ZPC(BLK),SWRCH10A,-	1			SNA
9-4	DA61-04190A	HINGE-LOW R	GUGGENHEIM,SHP1,T4.5,-,-,-,-,-	1			SA
9-5	DA66-00559A	CAM HINGE-RISER LOW R	GUGGENHEIM,NY-66,-,-,BLACK,-,-,-,-	1			SA
10	DA61-04702A	CASTER-FRONT	AW-PJT,PP,-,35,NTR,35,PP+TPE	2			
11	DA64-02605A	TRIM-BLADE	GUGGENHEIM,PVC,-,-,-,WHITE+GRAY,-	1			
12	DA61-30102A	FOOT-FRONT	SR-F5670,PP,-,YEL,T0.6,-,ZPC2-Y	3			
13	DA97-06756F	ASSY COVER LEG FRONT	GUGGENHEIM,STS-KP,REAL-STS	1	RS/PN	RSG5*U**	SA
	DA97-06756G		GUGGENHEIM,J-BLACK,EMPIRE BLACK		BP		
	DA97-06756H		GUGGENHEIM,SNOW WHITE,SNOW WHITE		SW/EW		
	DA97-06756J		GUGGENHEIM,TITAN GRAY,PLATINUM SILVER		PS		

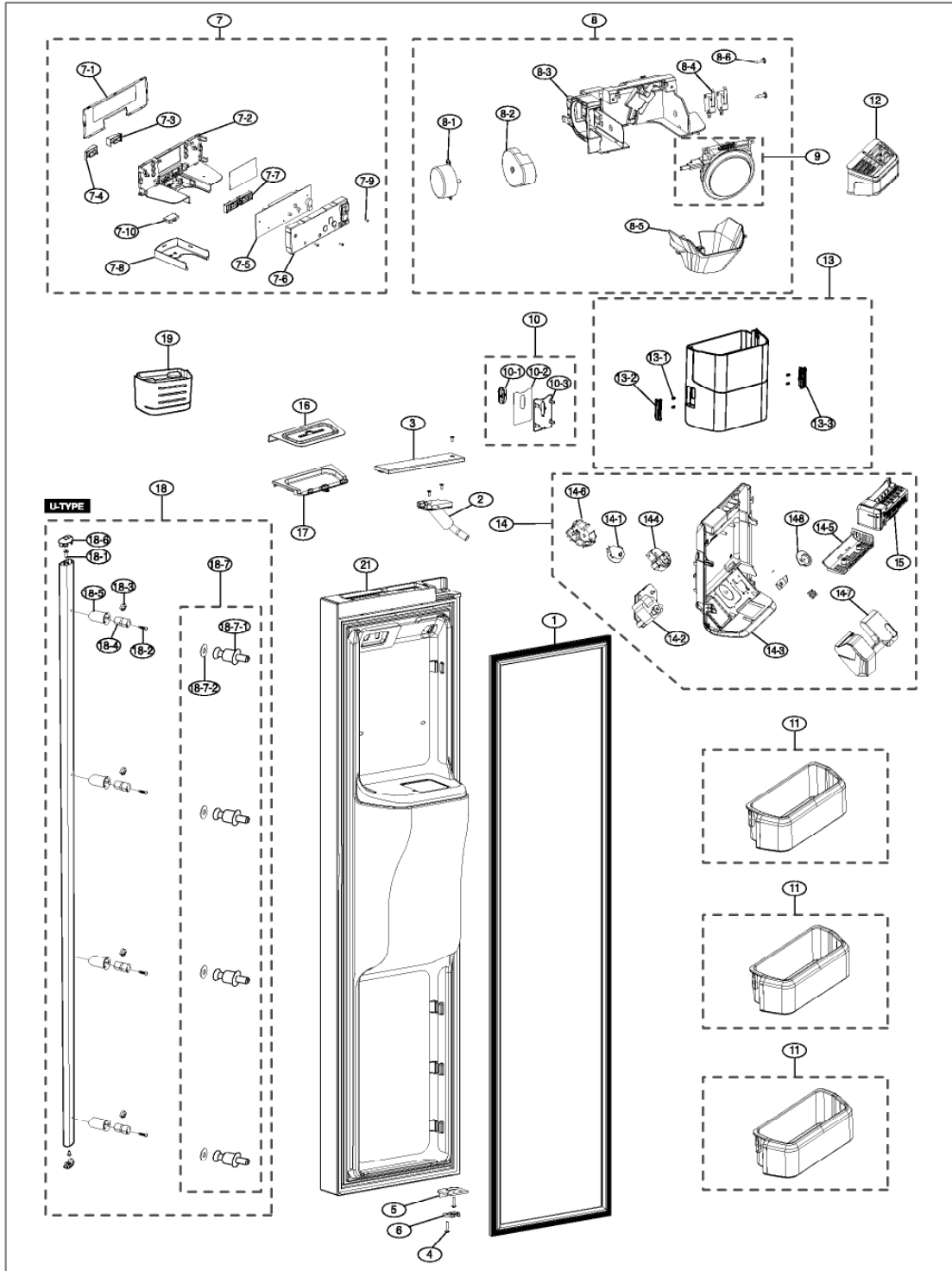
EXPLODED VIEW & PART LIST

■ Parts List of Cabinet & Unit (RSG5U/P/J**/PC**)

NO	CODE-NO	PART NAME	Spec	Quantity	Color	Remark	SA/SNA
13	DA97-06756K	ASSY COVER LEG FRONT	GUGGENHEIM,INOX,MANHATTAN SILVER	1	MH		
	DA97-07869A		GGH09, ASSY	1		RSG5PC**	
14	DA97-06123B	ASSY-CONDENSER	GUGGENHEIM,SWST,JD3.76,OD4.76,-	1			SA
14-1	6006-001170	SCREW-TAPPING	TH,+,WT,TC,M4,L10,ZPC(WHT),SWRCH18A,-	4			SA
15	DA97-06122B	ASSY-FIN CONDENSER	GUGGENHEIM,SWST,JD3.76,OD4.76,SEAL,-	1			SA
16	DA97-06508C	ASSY COVER-CONDENSER	GUGGENHEIM,SBHG1,.....,SEAL ADD	1			SA
17	DA97-06121B	ASSY CHASSIS-COMP	GUGGENHEIM,SBHG1,T1.4,....,CASTER REAR	1			SA
17-1	DA66-00649A	SHAFT-CASTER	AH/PJT,MSHR10L,46,OD8.2,-,ZPC2	2			SNA
17-2	DA61-04703A	CASTER-REAR	AH/PJT,PP,36,NTR,36,PP+TPE	2			SA
18	DA97-06206A	ASSY TRAY-DRAIN WATER	GUGGENHEIM,....,NTR,-	1			SA
18-1	6002-000520	SCREW-TAPPING	TH,+,2,M4,L12,ZPC(WHT),SWRCH18A,-	2			SNA
18-2	DA62-01800A	SEAL-SUPPORT MOTOR	GUGGENHEIM,FOAM PE,-,T15,....	1			SA
18-3	DA63-04186A	TRAY DRAIN-WATER	GUGGENHEIM,PP,T2.0,.....	1			SA
18-4	DA63-04424A	GROMMET-COND SUB	GUGGENHEIM,NBR,....,BLK,-	2			SA
19	DA97-03870C	ASSY SUPPORT-CIRCUIT MOTOR	GUGGENHEIM,....,ASSY	1			SC
19-1	DA31-00146B	MOTOR BLDC	DRCP5030LA,1560,-,DC12V/230mA,2.7W,ATOP,.....	1			SA
19-2	DA61-02355B	BRACKET-CIRCUIT MOTOR	ABS,NEXT,....,NTR,-	1			SA
19-3	DA61-02788A	SUPPORT-CIRCUIT MOTOR	ETIA-TOP,VE,ABS,T2.0,....	1			SA
19-4	DA63-01146A	GROMMET-MOTOR,REAR	A-TOP,NBR,....,D6.5,OD42,BLK,BLDC	2			SA
19-5	DA63-40167A	GROMMET-COVER CHIL	-,SILICON,T3.0,-,L16,-,BLACK,-	1			SA
19-6	6003-000003	SCREW-TAPTYPE	BH,+,B,M4,L10,ZPC(BLK),SWRCH18A,-	2			SA
19-7	DA96-00042A	ASSY-HARNESS MOTOR	A-TOP UL,(MOTOR),C-FAN,350MM	1			SA
20	DA31-00010F	FAN-ASS'Y	-,SBS,ABS+GLASS FIBER(GR-4010),150,3-wings	1			SA
21	DA97-06125A	ASSY PIPE-CONDENSER SUB	GUGGENHEIM,SWST,JD3.76,OD4.76	1			SA
22	DA97-06506B	ASSY MOTOR-STEP VALVE	GUGGENHEIM,SEAL ADD	1			SA
23	DA62-01514B	DRYER	NEXT-PJT,C1220T,OD18.70,L114,....	1			SA
24	EU4A5QL2X/E01	COMPRESSOR	15.31CC,BLDC,R-600A	1			-
25	DA63-02617A	GROMMET COMP	USPG5,EPOXY,....,OD18.5,BLACK,-	4			SA
26	DA34-00004C	RELAY PROTECTOR O/L	4TM319SFBY82,U/T,3.10A,135.61	1			SA
27	DA39-00154D	WIRE HARNESS-COMP	GGH,PVC_TUBE,-,5,YLP-06V,360,300KS IEC 30/0.18	1			SA
28	DA63-01866A	COVER RELAY	-,NORYL,T2.0,....,SSEC,BLACK,HOOK	1			SA
29	DA97-06124A	ASSY COVER-COMP	GUGGENHEIM,SBHG1,T0.3,.....	1			SA
30	DA97-02805D	ASSY PIPE CONNECT-SUCTION	GGH09	1			SA
31	DA97-04049B	ASSY CAP-DRAIN	SBS,ASSY,....,L224.5,....	2			SA
32	DA41-00649A	PBA MAIN	GGH09,DISPNESEER+Homebar,220V,50/60Hz,N	1		RSG5U/P**	SA
	DA41-00649B		GGH09,DISPNESEER+CodSelectZone,220V,50/60Hz,N	1		RSG5J**	
33	DA97-08587B	ASSY VALVE WATER	GUGGENHEIM,....,200-240V	1			SA
34	DA63-40171B	GROMMET-SUCT PIPE A	-,NBR,OD20,ID4,L20,-,Brown,-	1			SA
35	DA63-40171D	GROMMET-SUCT PIPE B	RAIL L19.5,NR,-,OD20,ID6,-,Brown,-	2			SA
36	DA73-10190U	PIPE-CONNECT DISC,B	TD-PJT,C1220-T,-,6.35,100,0.6,-	1			SA
37	DA73-10190V	PIPE-CONNECT DISC,A	TD-PJT,C1220T 12H,-,4.76,100,0.6,-	1			SA
38	DA41-00552B	CBA-PBA ASSY	GGH,ASSY PCB BOX,DISP,....,CBA,-	1			SA
38-1	DA27-00004C	COIL FILTER-REACTOR	Queen GE,7.5mH,0.6ohm,169,71.5'46'45,.....	1			SA
38-2	DA27-00019D	COIL FILTER-EMI	GGH-PJT,20mH,40mBY,33%±1,82'60,25 - +85 °...,-	1			SA
38-3	DA41-00404A	PBA SUB-PBA INVERTER	07 INVERTER,FR-4,1.6T*148'98.5,-,220-230V,50/60Hz	1			SA
38-4	DA61-04167A	CASE-PCB PANEL INV	GUGGENHEIM,ABS,....,NTR,INCOMBUSTIBLE	1			SA
38-5	DA96-00443C	ASSY WHARNESS-INVERTER BOX	GUGGENHEIM,100-240V, DISPENSER, REACTOR	1			SA
39	DA97-06839A	ASSY COVER-PCB PANEL INV	GUGGENHEIM,N-ABS,VH-0815,NTR,INCOMBUSTIBLE	1			SA
40	DA39-10115D	CBF-POWER CORD	UCP-2,250V,10*16A,L2100,-,VDE,....,300,3,1	1			SC
41	DA63-04517B	COVER-HOUSING	GUGGENHEIM,SBHG1,T0.3,W46,L65,.....	1			SA
42	DA64-02943A	TOP TABLE	GGH09,ABS,NO BLE GRAY,VERSAILLES STS	1		RSG5PC**	SA

EXPLODED VIEW & PART LIST

5-4-1 Freezer Door (RSG5U**, RSG5P**, RSG5J**)



EXPLODED VIEW & PART LIST

■ Parts List of Freezer Door (RSG5U**, RSG5P**, RSG5J**)

NO	CODE-NO	PART NAME	Spec	Quantity	Color	Remark	SA/SNA
1	DA97-04568N	ASSY-GASKET DOOR FRE	GUGGENHEIM,SC-97487,-,-	1			SA
	DA97-04568S		GUGGENHEIM,SC-97487,BLACK		BP		
2	DA97-06542A	ASSY PIPE-WATER ICE	GUGGENHEIM(EXP),230V,IN DOOR ICE MAKER	1			SA
3	DA63-04341A	COVER-CAP DOOR FRE	GUGGENHEIM,ABS,NOBLE GRAY	1	RS/MH/PN		SA
	DA63-04341C		GUGGENHEIM,ABS,-BLACK		BP		
	DA63-04341D		GUGGENHEIM,ABS,SNOW WHITE		SW/EW		
	DA63-04341E		GUGGENHEIM,ABS,TITAN GRAY		PS		
4	6001-001377	SCREW-MACHINE	TH,-,-,M6,125,ZPC(WHT),SWRCH18A,FP,-	3			SA
5	DA61-04195A	STOPPER-DOOR L	GUGGENHEIM,SHP1,73,0,-,-,-,-	1			SA
6	DA66-00558A	CAM HINGE-RISER UPP L	GUGGENHEIM,NY-66,-,-,BLACK,-,-,-,-	1			SA
7	DA97-06477K	ASSY COVER-DISPENSER	GGH09,REAL STS(COATED),EU,HEATER SW	1	RS		SA
	DA97-06476Z		GGH09,SNOW WHITE,EU,HEATER SW		SW/EW		
	DA97-07881A		GGH09,EMPIRE BLACK,EU,HEATER SW		BP		
	DA97-07881B		GGH09,PLATINUM SILVER,EU,HEATER SW		PS		
	DA97-07881C		GGH09,MAHATTAN SILVER,EU,HEATER SW		MH		
	DA97-07881D		GGH09,PLATINUM INOX,EU,HEATER SW		PN		
7-1	DA61-04384A	PLATE-COVER DISPENSER	GGH,STS430,T0,6,W239,9,L83,8,REAL-STS,COATED	1	RS		SA
7-2	DA63-04367A	COVER-DISPENSER	GUGGENHEIM,ABS,VERSAILLES STS,-	1	RS		SA
	DA63-04368A		GUGGENHEIM,ABS,SNOW WHITE,-		SW/EW		
	DA63-04368B		GUGGENHEIM,ABS,-BLACK,COATING		BP		
	DA63-04368C		GUGGENHEIM,ABS,PLATINUM SILVER,-		PS		
	DA63-04368D		GUGGENHEIM,ABS,MAHATTAN SILVER(SPRAY)-		MH		
	DA63-04368E		GUGGENHEIM,ABS,VERSAILLES STS,-		PN		
7-3	DA64-02566A	BUTTON-ICE DISPENSER	AH2,ABS,42*230,-,-,HAIRLINE	1			SA
7-4	DA64-02567A	BUTTON-WATER DISPENSER	AH2,ABS,42*230,-,-,HAIRLINE	1			SA
7-5	DA41-00522E	PBA DISPLAY-LED PANEL	GGH09,FRE,BlueLED, DISP,Vacation?,-,-,12V,5V,50Hz,N	1			SA
7-6	DA63-04361A	COVER-PCB PANEL REAR	GUGGENHEIM,ABS,-,W216,1,L75,1,-,-,NTR,-	1			SA
7-7	DA63-04482A	GROMMET-BUTTON CONTROL	GUGGENHEIM,SILICON,-,W98,0,L22,7,-,-,GRAY,-	1			SA
7-8	DA64-02596A	DECORATION-FAUCET	GUGGENHEIM,AL,-,W87,4,L119,9,-,-,-	1			SA
7-9	6003-000333	SCREW-TAPTYPE	RH,-,-,2S,M3,L10,ZPC(WHT),SWRCH18A,-	3			SA
7-10	DA97-02847A	ASSY-LAMP DOOR	EPEL,LED TYPE,-,-	1			SA
8	DA97-06473A	ASSY CASE-ICE ROUTE	GUGGENHEIM,AC223240,-,-,-,-	1			SA
8-1	DA31-00079A	MOTOR GEARED-DISP	15,2/18,2 rpm,50/60Hz,-,230V,CW/8 pole,MVLA16AR11	1			SA
8-2	DA66-00309A	CAM-GEAR MOTOR	QUEEN,PCM,-,-,NTR,-,-,-,-	1			SA
8-3	DA61-04373A	CASE-ICE ROUTE	GUGGENHEIM,ABS,-,W170,6,L83,9,EMPIRE BLACK,-	1			SA
8-4	DA34-00011A	SWITCH-MICRO	VPS33A-OF-5,MICRO,250V,15A,PBT,GP1006F,-,-,1,-	2			SA
8-5	DA61-04377A	GUIDE-ICE DISPENSER	GUGGENHEIM,ABS,-,W124,0,L65,2,TRANSPARENCY,-	1			SA
8-6	6002-001364	SCREW-TAPPING	FH,-,-,1,M4,L14,CR,PLT,SWRCH18A,-	2			SA
9	DA97-00883E	ASSY COVER-ICE ROUTE	QUEEN-PJT,-,-,-,-,-,-,-,-	1			SA
10	DA97-06479A	ASSY COVER-MICRO SWITCH	GUGGENHEIM,REAL STAINLESS,COATED,STS	1	RS		SA
	DA97-06478A		GUGGENHEIM,ABS,SNOW WHITE		SW/EW		
	DA97-06478B		GUGGENHEIM,ABS,EMPIRE BLACK		BP		
	DA97-06478C		GUGGENHEIM,ABS,PLATINUM SILVER,-		PS		
	DA97-06478D		GUGGENHEIM,ABS,MAHATTAN SILVER,-		MH		
	DA97-06478E		GUGGENHEIM,ABS,PLATINUM INOX		PN		
10-1	DA66-00600C	LEVER-PUSH	GUGGENHEIM,SILICON,COOL GRAY 11,SC-1006	1			SA
	DA66-00600A		GUGGENHEIM,SILICON,COOL GRAY 3,SC-1006		SW/EW		
11	DA97-06194E	ASSY GUARD-FRE MID	GUGGENHEIM,-,-,-,-,-,2-STAR	3			SA
12	DA97-06568A	ASSY COVER-ICE MAKER	GGH,COOL WHITE(SC-02740R),IN DOOR ICE MAKER	1			SA
13	DA97-06569A	ASSY TRAY-ICE BUCKET	GGH,COOL WHITE(SC-02740R),IN DOOR ICE MAKER	1			SA
13-1	DA61-04378A	SPRING ETC-BUCKET LEVER	GUGGENHEIM,STS304,D0,7,4,5,4,10,6,-,-,-,-	4			SNA

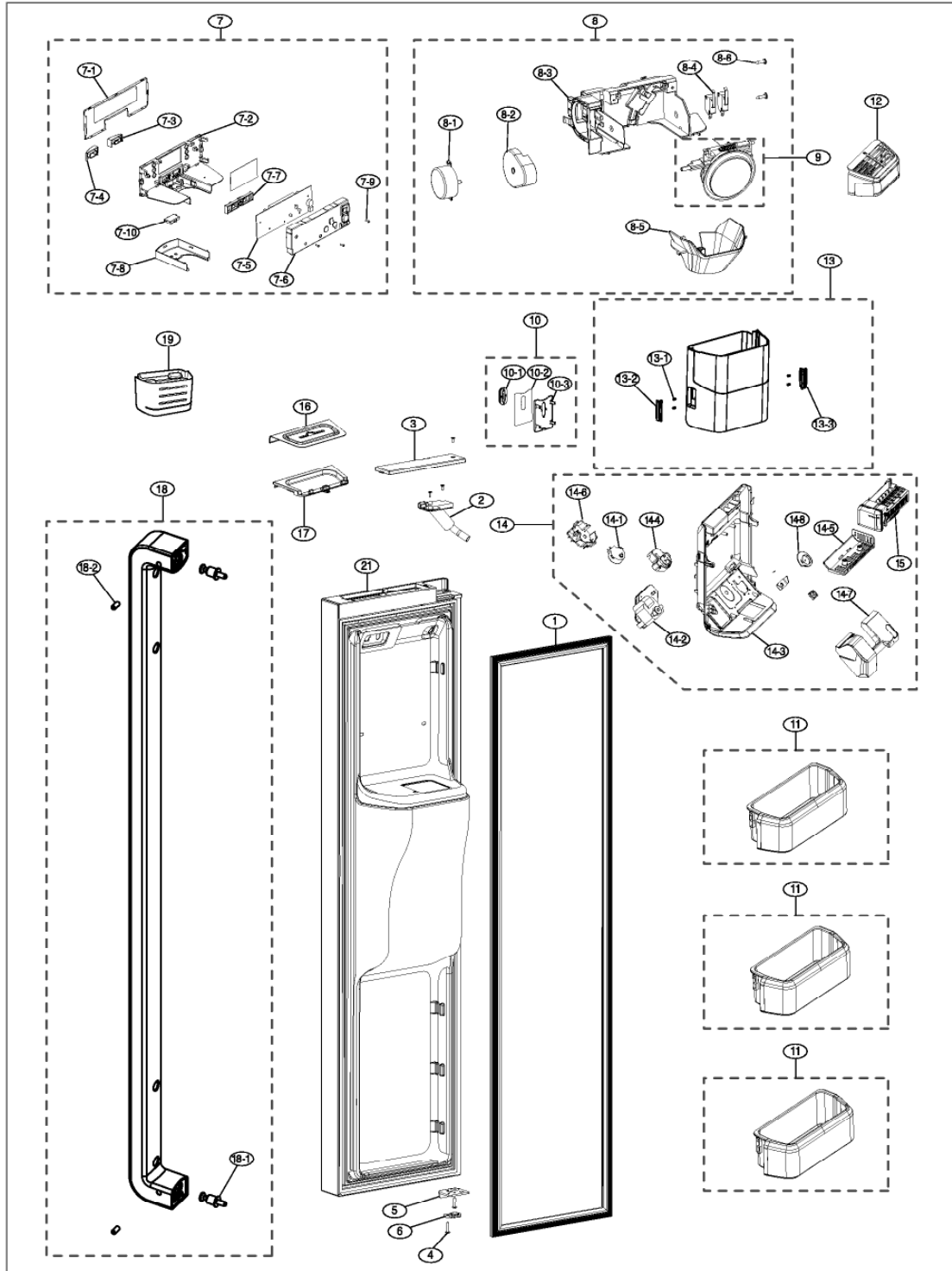
EXPLODED VIEW & PART LIST

■ Parts List of Freezer Door (RSG5U**, RSG5P**, RSG5J**)

NO	CODE-NO	PART NAME	Spec	Quantity	Color	Remark	SA/SNA				
13-2	DA66-00587A	LEVER-BUCKET L	GGH,ABS,29.8,76.7,19.4,-,COOL WHITE(SC02740R)-	1			SA				
13-3	DA66-00588A	LEVER-BUCKET R	GGH,ABS,29.8,76.7,19.4,-,COOL WHITE(SC02740R)-	1			SA				
14	DA97-06570C	ASSY CASE AUGER MOTOR	GGH,COOL WHITE,IN DOOR ICE MAKER	1			SA				
14-1	DA31-00079A	MOTOR GEARED-DISP	15.2/18.2 rpm,50/60Hz,230V,CW/8 pole,-,MVA15AR11	1			SA				
14-2	DA31-00210B	MOTOR GEARED-AUGER	ISG-3245SSB,-,-,1201.5,230,-,14.3,1.6,46T,75kgf.cm,-	1			SA				
14-3	DA61-04363A	CASE-AUGER MOTOR	GGH,ABS,171.8,415.9,291.0,COOL WHITE(SC02740R)	1			SA				
14-4	DA63-01412A	COVER-MOTOR GEARED	QUEEN,ABS,-,-,-,NTR,-	1			SA				
14-5	DA63-04355A	COVER-HEATER ICE MAKER	GGH,ABS,47.7,182.5,82.3,COOL WHT	1			SA				
14-6	DA63-04356A	COVER-MOTOR GEARED FRONT	GUGGENHEIM,PP,116,91.5,84,-,-,-	1			SA				
14-7	DA63-04362A	COVER-MOTOR AUGER SUB	GGH,N,ABS,-,244.3,115.5,-,-,COOL WHITE	1			SA				
14-8	DA66-00589A	CAM-LEVER CUBE	GUGGENHEIM,POM,T17.9,366,WHITE,-,-,-	1			SA				
15	DA97-07549A	ASSY ICE MAKER	GUGGENHEIM,220-240V,50Hz,-,-,-	1			SA				
16	DA97-06768A	ASSY TRAY-DISP	GUGGENHEIM,T0.8,W238.7,L108.9,REAL STS,COATED	1	RS		SA				
	DA63-04369A	TRAY DISPENSER	GUGGENHEIM,STS304,REAL-STAINLESS,-		RS						
	DA63-04372A		GUGGENHEIM,ABS,SNOW WHITE		SW/EW						
	DA63-04372B		GUGGENHEIM,ABS,-,BLACK		BP						
	DA63-04372C		GUGGENHEIM,ABS,PLATINUM SILVER		PS						
	DA63-04372D		GUGGENHEIM,ABS,MANHATTAN SILVER		MH						
DA63-04372E	GUGGENHEIM,ABS,VERSALLES STS		PN								
17	DA61-04386D	CASE-TRAY DISPENSER	GUGGENHEIM,ABS,-,W237.6,L106.6,NOBLE GRAY,-	1	RS/MH/PN		SA				
	DA61-04386A		GUGGENHEIM,ABS,-,W237.6,L106.6,SNOW WHITE,-		SW/EW						
	DA61-04386B		GUGGENHEIM,ABS,-,W237.6,L106.6,EMPIRE BLACK,-		BP						
	DA61-04386C		GUGGENHEIM,ABS,-,W237.6,L106.6,TITAN GRAY,-		PS						
18	DA97-06632A	ASSY HANDLE-BAR	GGH,EXP,AL,VERTICAL SILVER,SC-060347(INOX)	1	RS/MH/PN		SA				
	DA97-06632B		GGH,EXP,AL,HAIR LINE,SC-061477(NATURAL SILVER)		PS/SW/EW						
	DA97-06632C		GGH,EXP,AL,HAIR LINE,SC-07018T		BP						
18-1	6002-000213	SCREW-TAPPING	TH,-,-,1,M4,L12,ZPC(WHT),SWRCH18A,-	2			SA				
18-2	6009-001512	SCREW-SPECIAL	BH,-,-,M4,L16,ZPC(WHT),SWRCH18A,1	4			SA				
18-3	DA61-03636A	STOPPER-HANDLE	CU,INMAN,SKS,-,-,-,-	4			SA				
18-4	DA61-03726A	SUPPORT-HANDLE	HERMES,NY88,-,-,-,NTR,-	4			SA				
18-5	DA67-01809D	CAP-SUPT HANDLE	JM,ABS,SC-06038S(MANHATTAN SILVER),ONE TOUCH	4	RS/MH/PN		SA				
	DA67-01809C		JM,ABS,SC-05010S(PLATINUM SILVER),ONE TOUCH		PS/SW/EW						
	DA67-01809B		JM,ABS,-,-,SC-00477R(-BLACK),ONE TOUCH		BP						
18-6	DA67-02051A	CAP-HANDLE	GUGGENHEIM,ABS,52.0,W31.8,L17.8,NTR,AL(SILVER)	2			SA				
18-7	DA97-05529C	ASSY-BRACKET HANDLE	HERMES,PJT,SWCH10A,-,-	4			SA				
18-7-1	DA61-03725B	BRACKET-HANDLE	HERMES,SWCH10A,-,-,L31,-,-	1			SA				
18-7-2	DA63-03840A	GROMMET-HANDLE	HERMES,SILICON,T1,-,-,-,NTR,DISP,49Δ	1			SA				
19	DA63-05013A	GUARD FRE-UPP	GUGGENHEIM,HPS,COOL WHITE	1			SA				
20	DA63-04701A	GROMMET-CHASSIS	GUGGENHEIM,SILICON,-,-,-,GRAY,-	1			SA				
21	DA91-02735H	ASSY DOOR FOAM FRE	GGH09,REAL STS(COATED),U/PU-OPTION,230V	1	RS	;SKULL&L&handlet;	SA				
	DA91-02893D		GGH09,MAHATTAN SILVER,U/PU-OPTION,230V		MH			SA			
	DA91-02893E		GGH09,EMPIRE BLACK,U/PU-OPTION,230V		BP				SA		
	DA91-02893F		GGH09,SNOW WHITE,U/PU-OPTION,EU,230V		SW					SA	
	DA91-02893G		GGH09_EXP,PLATINUM SILVER,U/PU-OPTION,230V		PS						SA
	DA91-02893H		GGH09,PLATINUM INOX,U/PU-OPTION,230V		PN						
	DA91-02735E		GGH09,REAL STS(COATED),U/PU-OPTION,230V		RS	SA					
	DA91-02749S		GGH09,MAHATTAN SILVER,U/PU-OPTION,230V		MH		SA				
	DA91-02749U		GGH09,EMPIRE BLACK,U/PU-OPTION,230V		BP			;SKULL&L&handlet;			
	DA91-02749T		GGH09,SNOW WHITE,U/PU-OPTION,EU,230V		SW				SA		
	DA91-02749V		GGH09_EXP,PLATINUM SILVER,U/PU-OPTION,230V		PS					SA	

EXPLODED VIEW & PART LIST

5-4-2 Freezer Door (RSG5PC**)



EXPLODED VIEW & PART LIST

■ Parts List of Freezer Door (RSG5PC**)

NO	CODE-NO	PART NAME	Spec	Quantity	Color	Remark	SA/SNA
1	DA97-04568N	ASSY-GASKET DOOR FRE	GUGGENHEIM,SC47467,-,-	1			SA
	DA97-04568S		GUGGENHEIM,SC47467, BLACK		BP		
2	DA97-06542A	ASSY PIPE-WATER ICE	GUGGENHEIM(EXP),230V,N DOOR ICE MAKER	1			SA
3	DA63-04341A	COVER-CAP DOOR FRE	GUGGENHEIM,ABS,NOBLE GRAY	1	RS/MH/PN		SA
	DA63-04341C		GUGGENHEIM,ABS,-BLACK		BP		
	DA63-04341D		GUGGENHEIM,ABS,SNOW WHITE		SW/EW		
	DA63-04341E		GUGGENHEIM,ABS,TITAN GRAY		PS		
4	6001-001377	SCREW-MACHINE	TH,+,M6,L26,ZPC(WHT),SWRCH18A,FP,-	3			SA
5	DA61-04195A	STOPPER-DOOR L	GUGGENHEIM,SHP1,T3,0,-,-,-	1			SA
6	DA66-00558A	CAM HINGE-RISER UPP L	GUGGENHEIM,NY-66,-,-,BLACK,-,-,-,-	1			SA
7	DA97-06477K	ASSY COVER-DISPENSER	GGH09,REAL STS(COATED),EU,HEATER SW	1	RS		SA
	DA97-06476Z		GGH09,SNOW WHITE,EU,HEATER SW		SW/EW		
	DA97-07881A		GGH09,EMPIRE BLACK,EU,HEATER SW		BP		
	DA97-07881B		GGH09,PLATINUM SILVER,EU,HEATER SW		PS		
	DA97-07881C		GGH09,MAHATTAN SILVER,EU,HEATER SW		MH		
	DA97-07881D		GGH09,PLATINUM INOX,EU,HEATER SW		PN		
7-1	DA61-04384A	PLATE-COVER DISPENSER	GGH,STS430,T0.6,W239,3,L83.9,REAL,STS,COATED	1	RS		SA
7-2	DA63-04367A	COVER-DISPENSER	GUGGENHEIM,ABS,VERSAILLES STS,-	1	RS		SA
	DA63-04368A		GUGGENHEIM,ABS,SNOW WHITE,-		SW/EW		
	DA63-04368B		GUGGENHEIM,ABS,-BLACK,COATING		BP		
	DA63-04368C		GUGGENHEIM,ABS,PLATINUM SILVER,-		PS		
	DA63-04368D		GUGGENHEIM,ABS,MAHATTAN SILVER(SPRAY),-		MH		
DA63-04368E	GUGGENHEIM,ABS,VERSAILLES STS,-	PN					
7-3	DA64-02566A	BUTTON-ICE DISPENSER	AW2,ABS,42.8*23.0,-,-,HARLINE	1			SA
7-4	DA64-02567A	BUTTON-WATER DISPENSER	AW2,ABS,42.8*23.0,-,-,HARLINE	1			SA
7-5	DA41-00522E	PBA DISPLAY-LED PANEL	GGH09,FRE,BlueLED, DISP, Vibration?,...,12V, 5V,50Hz,N	1			SA
7-6	DA63-04361A	COVER-PCB PANEL REAR	GUGGENHEIM,ABS,-W216,1,L75,1,-,-,NTR,-	1			SA
7-7	DA63-04482A	GROMMET-BUTTON CONTROL	GUGGENHEIM,SILICON,-,W98,0,L22,7,-,-,GRAY,-	1			SA
7-8	DA64-02596A	DECORATION-FAUCET	GUGGENHEIM,AL,-,W87.4,L119.9,-,-,-	1			SA
7-9	6003-000333	SCREW-TAPTYPE	RH,+,2S,M3,L10,ZPC(WHT),SWRCH18A,-	3			SA
7-10	DA97-02847A	ASSY-LAMP DOOR	EPEL,LED TYPE,-,-	1			SA
8	DA97-06473A	ASSY CASE-ICE ROUTE	GUGGENHEIM,AC223240,-,-,-,-	1			SA
8-1	DA31-00079A	MOTOR GEARED-DISP	16,218,2 rpm,5060Hz,-,230V,CW/B pole,MVLA15AR11	1			SA
8-2	DA66-00309A	CAM-GEAR MOTOR	QUEEN,POM,-,-,NTR,-,-,-,-	1			SA
8-3	DA61-04373A	CASE-ICE ROUTE	GUGGENHEIM,ABS,-,W170.5,L83.9,EMPIRE BLACK,-	1			SA
8-4	DA34-00011A	SWITCH-MICRO	VPS33A-OF-5,MICRO,250V,15A,PBT,GP1006F,-,1,-	2			SA
8-5	DA61-04377A	GUIDE-ICE DISPENSER	GUGGENHEIM,ABS,-,W124,0,L65,2,TRANSPARENCY,-	1			SA
8-6	6002-001364	SCREW-TAPPING	FH,+,1,M4,L14,CR,PLT,SWRCH18A,-	2			SA
9	DA97-00883E	ASSY COVER-ICE ROUTE	QUEEN-PUT,-,-,-,-,-,-,-,-	1			SA
10	DA97-06479A	ASSY COVER-MICRO SWITCH	GUGGENHEIM,REAL,STAINLESS COATED,STS	1	RS		SA
	DA97-06478A		GUGGENHEIM,ABS,SNOW WHITE		SW/EW		
	DA97-06478B		GUGGENHEIM,ABS,EMPIRE BLACK		BP		
	DA97-06478C		GUGGENHEIM,ABS,PLATINUM SILVER,-		PS		
	DA97-06478D		GUGGENHEIM,ABS,MAHATTAN SILVER,-		MH		
	DA97-06478E		GUGGENHEIM,ABS,PLATINUM INOX		PN		
10-1	DA66-00600C	LEVER-PUSH	GUGGENHEIM,SILICON,COOL GRAY 11,SC-1006	1			SA
	DA66-00600A		GUGGENHEIM,SILICON,COOL GRAY 3,SC-1006		SW/EW		
11	DA97-06194E	ASSY GUARD-FRE MID	GUGGENHEIM,-,-,-,-,-,2-STAR	3			SA
12	DA97-06568A	ASSY COVER-ICE MAKER	GGH,COOL WHITE(SC-02740R),N DOOR ICE MAKER	1			SA
13	DA97-06569A	ASSY TRAY-ICE BUCKET	GGH,COOL WHITE(SC-02740R),N DOOR ICE MAKER	1			SA
13-1	DA61-04378A	SPRING ETC-BUCKET LEVER	GUGGENHEIM,STS304,007.4,5.4,10.6,-,-,-	4			SNA

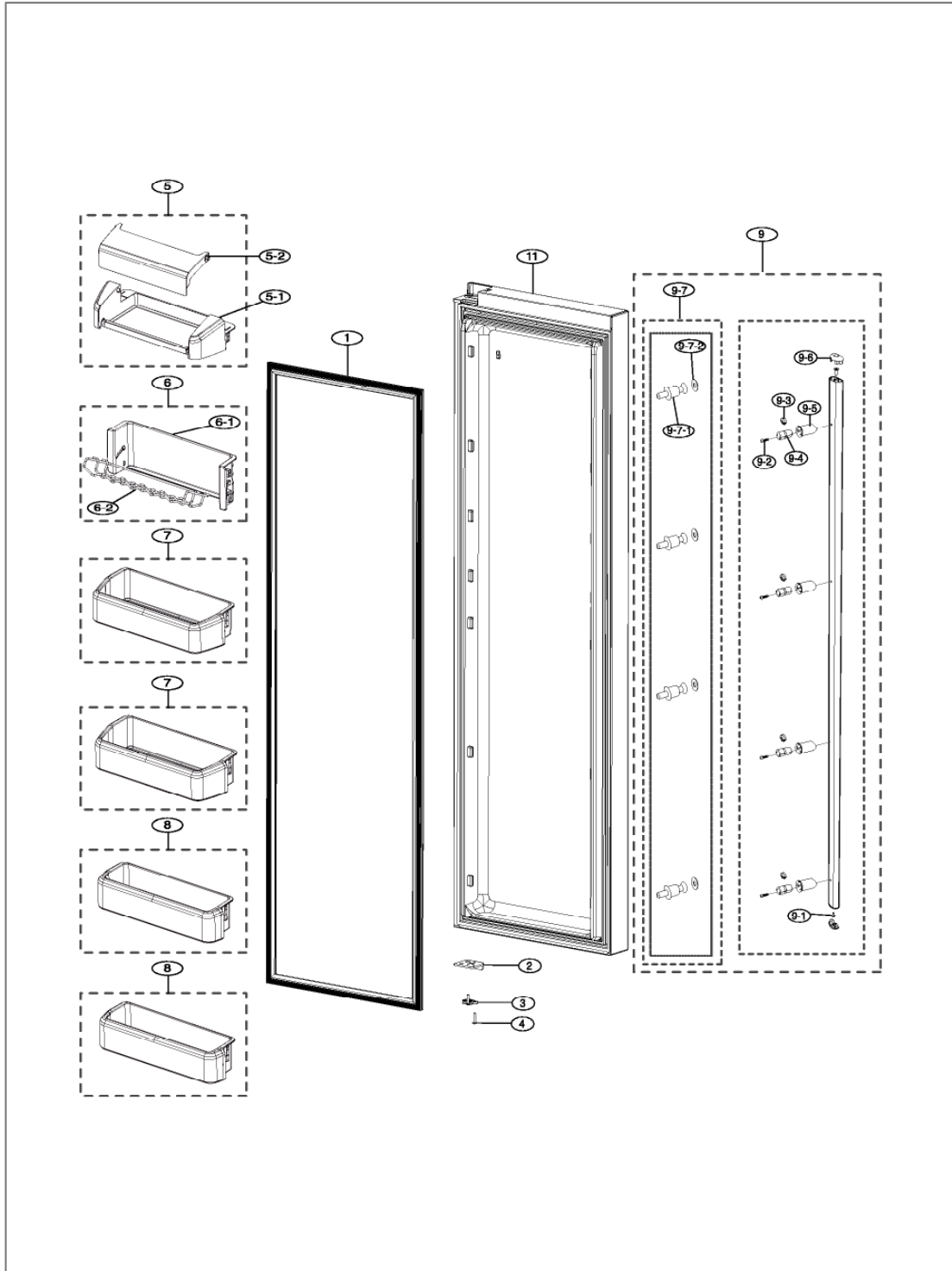
EXPLODED VIEW & PART LIST

■ Parts List of Freezer Door (RSG5PC**)

NO	CODE-NO	PART NAME	Spec	Quantity	Color	Remark	SA/SNA
13-2	DA66-00587A	LEVER-BUCKET L	GGH,ABS,29.8,76.7,18.4,-,COOL WHITE(SO22740R),-	1			SA
13-3	DA66-00588A	LEVER-BUCKET R	GGH,ABS,29.8,76.7,18.4,-,COOL WHITE(SO22740R),-	1			SA
14	DA97-06570C	ASSY CASE AUGER MOTOR	GGH,COOL WHITE,IN DOOR ICE MAKER	1			SA
14-1	DA31-00079A	MOTOR GEARED-DISP	15.2/18.2 rpm,50/60Hz,230V,CW/R pole,-,MVA15AR11	1			SA
14-2	DA31-00210B	MOTOR GEARED-AUGER	ISG-3245SSB,-,-,1201.5,230,-,14.3,1.6,45T,75kgf.cm,-	1			SA
14-3	DA61-04363A	CASE-AUGER MOTOR	GGH,ABS,171.8,416.9,291.0,COOL WHITE(SO22740R)	1			SA
14-4	DA63-01412A	COVER-MOTOR GEARED	QUEEN,ABS,-,-,-,NTR,-	1			SA
14-5	DA63-04355A	COVER-HEATER ICE MAKER	GGH,ABS,47.7,182.5,82.3,COOL WHT	1			SA
14-6	DA63-04356A	COVER-MOTOR GEARED FRONT	GUGGENHEIM,PP,H16,91.5,84,-,-,-	1			SA
14-7	DA63-04362A	COVER-MOTOR AUGER SUB	GGH,ABS,-,244.3,115.5,-,-,COOL WHITE	1			SA
14-8	DA66-00589A	CAM-LEVER CUBE	GUGGENHEIM,POM,T17.9,365,WHITE,-,-,-	1			SA
15	DA97-07549A	ASSY ICE MAKER	GUGGENHEIM,220-240V,50Hz,-,-,-	1			SA
16	DA97-06768A	ASSY TRAY-DISP	GUGGENHEIM,T0.6,W238.7,L108.9,REAL STS,COATED	1	RS		SA
	DA63-04369A	TRAY DISPENSER	GUGGENHEIM,STS304,REAL-STAINLESS,-		RS		
	DA63-04372A		GUGGENHEIM,ABS,SNOW WHITE		SW/EW		
	DA63-04372B		GUGGENHEIM,ABS,1-BLACK		BP		
	DA63-04372C		GUGGENHEIM,ABS,PLATINUM SILVER		PS		
	DA63-04372D		GUGGENHEIM,ABS,MANHATTAN SILVER		MH		
DA63-04372E	GUGGENHEIM,ABS,VERSAILLES STS		PN				
17	DA61-04386D	CASE-TRAY DISPENSER	GUGGENHEIM,ABS,-,W237.6,L106.6,NOBLE GRAY,-	1	RS/MH/PN		SA
	DA61-04386A		GUGGENHEIM,ABS,-,W237.6,L106.6,SNOW WHITE,-		SW/EW		
	DA61-04386B		GUGGENHEIM,ABS,-,W237.6,L106.6,EMPIRE BLACK,-		BP		
	DA61-04386C		GUGGENHEIM,ABS,-,W237.6,L106.6,TITAN GRAY,-		PS		
18	DA97-07848A	ASSY HANDLE-REF	GGH09, ASSY	1	RSG5PC**		SA
18-1	DA61-03403A	BRACKET-HANDLE	SWRC10A,PH,MR	2	RSG5PC**		SA
18-2	6004-000113	SCREW-SET	GGH09, STS302	2	RSG5PC**		SA
19	DA63-05013A	GUARD FRE-UPP	GUGGENHEIM,HIPS,COOL WHITE	1			SA
20	DA63-04701A	GROMMET-CHASSIS	GUGGENHEIM,SILICON,-,-,-,GRAY,-	1			SA
21	DA91-02735H	ASSY DOOR FOAM FRE	GGH09,REAL STS(COATED),U/PU-OPTION,230V	1	RS	IS220V/230V/240V/250V/260V/270V/280V/290V/300V/310V/320V/330V/340V/350V/360V/370V/380V/390V/400V/410V/420V/430V/440V/450V/460V/470V/480V/490V/500V/510V/520V/530V/540V/550V/560V/570V/580V/590V/600V/610V/620V/630V/640V/650V/660V/670V/680V/690V/700V/710V/720V/730V/740V/750V/760V/770V/780V/790V/800V/810V/820V/830V/840V/850V/860V/870V/880V/890V/900V/910V/920V/930V/940V/950V/960V/970V/980V/990V/1000V	SA
	DA91-02893D		GGH09,MAHATTAN SILVER,U/PU-OPTION,230V		MH		SA
	DA91-02893E		GGH09,EMPIRE BLACK,U/PU-OPTION,230V		BP		SA
	DA91-02893F		GGH09,SNOW WHITE,U/PU-OPTION,EU,230V		SW		SA
	DA91-02893G		GGH09_EXP,PLATINUM SILVER,U/PU-OPTION,230V		PS		SA
	DA91-02893H		GGH09,PLATINUM INOX,U/PU-OPTION,230V		PN		SA
	DA91-02735E		GGH09,REAL STS(COATED),U/PU-OPTION,230V		RS		SA
	DA91-02749S		GGH09,MAHATTAN SILVER,U/PU-OPTION,230V		MH		SA
	DA91-02749U		GGH09,EMPIRE BLACK,U/PU-OPTION,230V		BP		SA
	DA91-02749T		GGH09,SNOW WHITE,U/PU-OPTION,EU,230V		SW		SA
	DA91-02749V		GGH09_EXP,PLATINUM SILVER,U/PU-OPTION,230V		PS		SA

EXPLODED VIEW & PART LIST

5-5-1) Fridge Door (RSG5U**, RSG5J**)



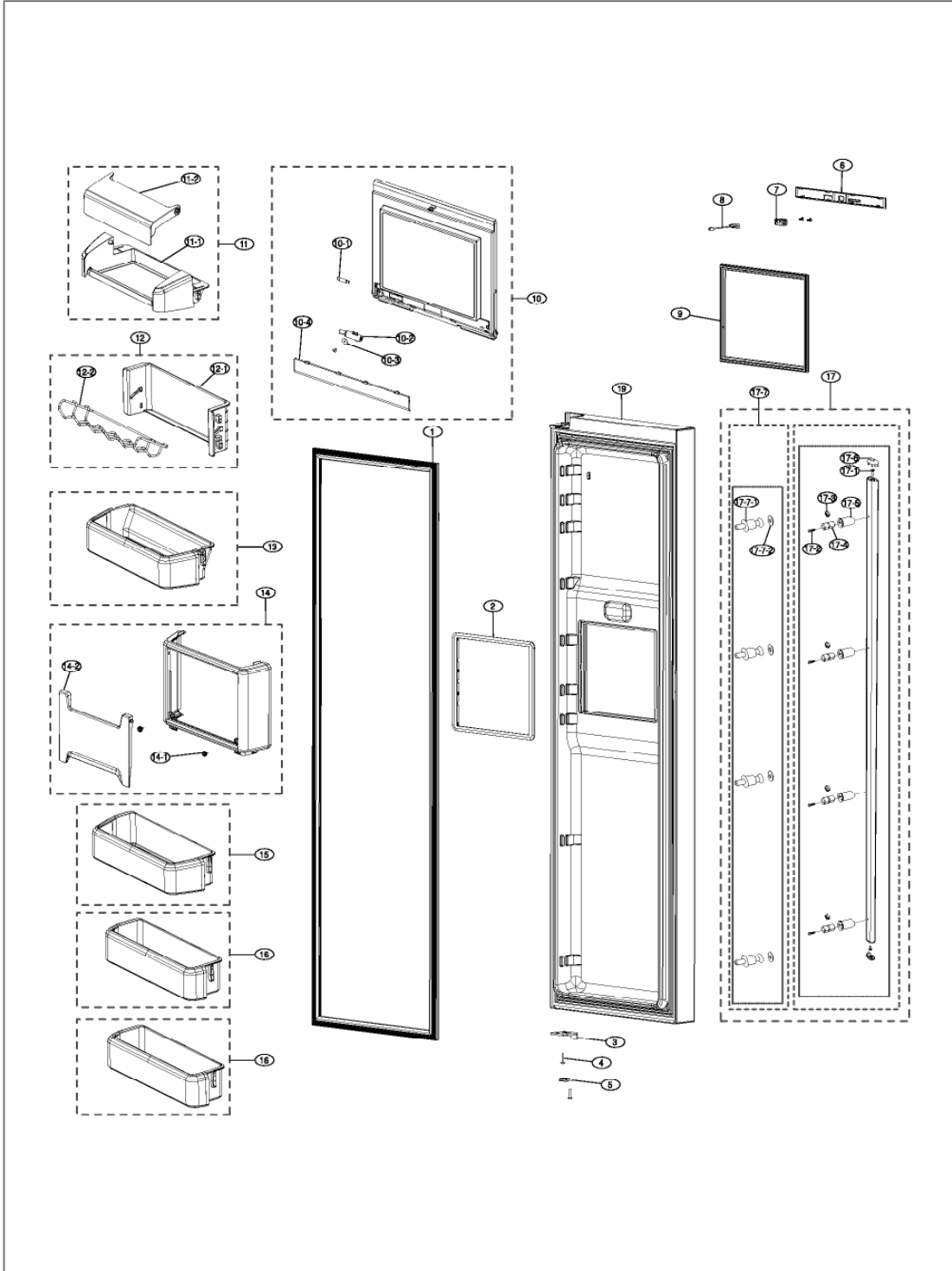
EXPLODED VIEW & PART LIST

■ Parts List of Fridge Door (RSG5U**, RSG5J**)

NO	CODE-NO	PART NAME	Spec	Quantity	Color	Remark	SA/SNA
1	DA97-04568P	ASSY-GASKET DOOR REF	GUGGENHEIM.SC#7487,-	1	BP		SA
	DA97-04568T		GUGGENHEIM.SC#7487BLACK				
2	DA61-04196A	STOPPER-DOOR R	GUGGENHEIM.S#P1.730,....	1			SA
3	DA66-00557A	CAM HINGE-RISER UPP R	GUGGENHEIM.NY#6,-,BLACK,....	1			SA
4	6001-001377	SCREW-MACHINE	TH,+,M6L26.ZPC(WHT),SWRCH18A,FP,-	3			SA
5	DA97-06178A	ASSY GUARD-DAIRY	GUGGENHEIM,.....	1			SA
5-1	DA63-04197A	GUARD-DAIRY	GUGGENHEIM.HPS,-,COOL-WHITE,-	1			SA
5-2	DA63-04198A	COVER-DAIRY	GUGGENHEIM.GPPS,....,TRP,-	1			SA
6	DA97-06549B	ASSY-CAN CARRY	GUGGENHEIM.ABS,-	1			SA
6-1	DA61-04399B	SUPPORT-RACK CAN CARRY	GUGGENHEIM.ABS,-,COOL-WHITE,-	1			SA
6-2	DA75-00209A	RACK-CAN CARRY	GUGGENHEIM.STS04,.....	1			SA
7	DA97-06177C	ASSY GUARD-REF UPP	GUGGENHEIM,.....,GPPS	2			SC
8	DA97-06175E	ASSY GUARD-REF LOW	GUGGENHEIM.Dark Gray, Coolgray,SC,WRAF VNYL Y	2			SC
9	DA97-06632A	ASSY HANDLE-BAR	GGH(EFK)AL VERTICAL SILVER,SC#06347(WOX)	1	RS/MH/PN	*U-Handle(RSG5U**)	SA
	DA97-06632B		GGH(EFK)AL HAIR LINE,SC#06147(NATURAL SILVER)		PS/SW/EW		
	DA97-06632C		GGH AL HAIR LINE,SC#07187(BALLENTEINE BLACK)		BP		
9-1	6002-000213	SCREW-TAPPING	TH,+,1M4L12.ZPC(WHT),SWRCH18A,-	2			SA
9-2	6009-001512	SCREW-SPECIAL	BH,+,M4L16.ZPC(WHT),SWRCH18A,1(DRILLING TAPPING)	4			SA
9-3	DA61-03636A	STOPPER-HANDLE	CULUNAN.SK5,....	4			SA
9-4	DA61-03726A	SUPPORT-HANDLE	HERMES.NY96,-,NTR,-	4			SA
9-5	DA67-01809D	CAP SUPT HANDLE	JM.ABS.SC#08385(MANHATTAN SILVER),ONE TOUCH	4	RS/MH/PN		SA
	DA67-01809C		JM.ABS.SC#05103(PLATINUM SILVER),ONE TOUCH		PS/SW/EW		
	DA67-01809B		JM.ABS,-,SC#0477R(BLACK),ONE TOUCH		BP		
9-6	DA67-02051A	CAP-HANDLE	GUGGENHEIM.ABS,62.0W31.8L17.8(NTRAL),SILVER)	2			SA
9-7	DA97-05529C	ASSY-BRACKET HANDLE	HERMES.PJT.SWCH10A,-	4			SA
9-7-1	DA61-03725B	BRACKET-HANDLE	HERMES.SWCH10A,-,L31,-	1			SA
9-7-2	DA63-03840A	GROMMET-HANDLE	HERMES.SILICON,T1,....,NTR,DISP, 40% GUGGENHEIM.SILICON,....,GRAY,-	1			SA
10	DA63-04701A	GROMMET-CHASSIS	GUGGENHEIM.SILICON,....,GRAY,-	1			SA
11	DA91-02737F	ASSY DOOR FOAM REF	GGH09_EXP.REAL STS(COATED),UJ,OPTION,EU,230V	1	RS	*U-Handle(RSG5U**)	SA
	DA91-02737G		GGH09_EXP.MANHATTAN SILVER,UJ,OPTION,EU,230V	1	MH		SA
	DA91-02737H		GGH09_EXP.EMPIRE BLACK,UJ,OPTION,EU,230V	1	BP		SA
	DA91-02737J		GGH09_EXP.SNOW WHITE,UJ,OPTION,EU,230V	1	SW/EW		SA
	DA91-02737K		GGH09_EXP.PLATINUM SILVER,UJ,OPTION,EU,230V	1	PS		SA

EXPLODED VIEW & PART LIST

5-5-2) Fridge Door (RSG5P**)



EXPLODED VIEW & PART LIST

■ Parts List of Fridge Door (RSG5P**)

NO	CODE-NO	PART NAME	Spec	Quantity	Color	Remark	SA/SNA
1	DA97-04568P	ASSY-GASKET DOOR REF	GUGGENHEIM,SC-97487,-	1	BP		SA
	DA97-04568T		GUGGENHEIM,SC-97487,BLACK				
2	DA64-02931A	TRIM-CASE HOME BAR OUT	GUGGENHEIM,ABS,-,COOL WHITE,-	1			SA
3	DA61-04196A	STOPPER-DOOR R	GUGGENHEIM,SHPI,T30,-,---	1			SA
4	6001-001377	SCREW-MACHINE	TH,-,M6,1.25,ZPC(WHT),SWRCH18A,FP,-	3			SA
5	DA66-00557A	CAM HINGE-RISER UPP R	GUGGENHEIM,NY-86,-,BLACK,-,---	1			SA
6	DA63-04400B	COVER-LATCH REF	GUGGENHEIM,PJT,ABS,NOBLE GRAY(SC-02008R)-	1	RS/MH/PN		SA
	DA63-04400A		GUGGENHEIM,PJT,ABS,-Black(SC-00477R)-		BP		
	DA63-04400C		GUGGENHEIM,PJT,ABS,Titan Gray(SC-03186R)-		PS		
	DA63-04400D		GUGGENHEIM,PJT,ABS,Snow White(SC-97527R)-		SW/EW		
7	DA97-07117B	ASSY-LATCH	SRT740XWSM,PCM,BLK,SPRING	1			SA
8	DA34-00043C	SWITCH REED-ASS'Y	200VDC,15A-	1			SA
9	DA63-04480A	GASKET-HOME BAR	GUGGENHEIM,PJT,SF-PVC,-,SEMI-GRAY,-,REF	1			SA
10	DA97-06534B	ASSY HOME BAR-REF	GGH-PJT,NOBLE GRAY,STS COVERING(STS430)	1	RS		SA
	DA97-06534A		GGH-PJT,TITAN GRAY,PLAIN,IN SILVER COVERING		PS		
	DA97-06534C		GGH-PJT,TITAN GRAY,PLAIN,IN INOX COVERING		PN		
	DA97-06536A		GUGGENHEIM,PJT,ABS,-Black(SC-00477R),EXP		BP		
	DA97-06536B		GGH-PJT,NOBLE GRAY,Manhattan Silver(SC-06036S)		MH		
	DA97-06536D		GUGGENHEIM,PJT,ABS,-Snow White(SC-97527R)-		SW/EW		
10-1	DA66-00564A	SHAFT-DAMPER HOME BAR	GUGGENHEIM,STS304,-,-----	1			SA
10-2	DA97-06850A	ASSY DAMPER-HOME BAR	GUGGENHEIM,-,---	1			SA
10-3	DA60-40104J	WASHER	-,PI4,2,T0&T3-PJT,-,STS304-	1			SA
10-4	DA67-01958A	CAP-DAMPER HOME BAR REF	GUGGENHEIM,ABS,-,COOL WHITE(SC-02740R)-	1			SA
11	DA97-06178A	ASSY GUARD-DAIRY	GUGGENHEIM,-,-----	1			SA
11-1	DA63-04197A	GUARD-DAIRY	GUGGENHEIM,HIPS,-,COOL-WHITE,-	1			SA
11-2	DA63-04198A	COVER-DAIRY	GUGGENHEIM,GPPS,-,-----,TRP,-	1			SA
12	DA97-06549B	ASSY-CAN CARRY	GUGGENHEIM,ABS,-,---	1			SA
12-1	DA61-04399B	SUPPORT-RACK CAN CARRY	GUGGENHEIM,ABS,-,COOL WHITE,-	1			SA
12-2	DA75-00209A	RACK-CAN CARRY	GUGGENHEIM,STS304,-,-----	1			SA
13	DA97-06495C	ASSY GUARD-REF HOME BAR UPP	GUGGENHEIM,-,-----,GPPS	1			SA
14	DA97-06182A	ASSY CASE-DOOR RECESS REF	GUGGENHEIM,-,-----	1			SA
14-1	DA63-00991A	GROMMET-DOOR RECESS	A-TOP,SILCON,-,-----,NTR,-	2			SA
14-2	DA63-04203A	COVER-DOOR RECESS REF	GUGGENHEIM,GPPS,-,-----,TRP,-	1			SA
15	DA97-07807A	ASSY GUARD-REF MID	GGH09,GPPS	1			SA
16	DA97-06175E	ASSY GUARD-REF LOW	GUGGENHEIM,-,Dark Gray, Coolgray@CWAP VINYL Y	2			SC
17	DA97-06632A	ASSY HANDLE-BAR	GGH(EXP),AL,VERTICAL SILVER,SC-06034T(INOX)	1	RS/MH/PN	*U-Handle(RSG5P)**	
	DA97-06632B		GGH(EXP),AL,HAIR LINE,SC-06147T(NATURAL SILVER)		PS/SW/EW		
	DA97-06632C		GGH(EXP),AL,HAIR LINE,SC-07016T(BALLENTEINE BLACK)		BP		
17-1	6002-000213	SCREW-TAPPING	TH,-,1M4,1.2,ZPC(WHT),SWRCH18A,-	2			SA
17-2	6009-001512	SCREW-SPECIAL	BH,-,M4,1.6,ZPC(WHT),SWRCH18A,1,DRILLING TAPPING	4			SA
17-3	DA61-03636A	STOPPER-HANDLE	CULLINAN,SKS,-,-----	4			SA
17-4	DA61-03726A	SUPPORT-HANDLE	HERMES,NY86,-,NTR,-	4			SA
17-5	DA67-01809D	CAP-SUPT HANDLE	JM,ABS,SC-06036S(MANHATTAN SILVER),ONE TOUCH	4	RS/MH/PN		SA
	DA67-01809C		JM,ABS,SC-06103S(PLATINUM-SILVER),ONE TOUCH		PS/SW/EW		
	DA67-01809B		JM,ABS,-,SC-00477R(-BLACK),ONE TOUCH		BP		
17-6	DA67-02051A	CAP-HANDLE	GUGGENHEIM,ABS,SC-0481&17&NTR,AL(SILVER)	2			SA
17-7	DA97-05529C	ASSY-BRACKET HANDLE	HERMES,PJT,SWCH10A,-,---	4			SA
17-7-1	DA61-03725B	BRACKET-HANDLE	HERMES,SWCH10A,-,L31,-,---	1			SA
17-7-2	DA63-03840A	GROMMET-HANDLE	HERMES,SILCON,T1,-,-----,NTR,DP,40% NTR,DP,40%	1			SA
18	DA63-04701A	GROMMET-CHASSIS	GUGGENHEIM,SILCON,-,-----,GRAY,-	1			SA
19	DA91-02736L	ASSY DOOR FOAM REF	GGH09_EXP,REAL,STS(OCCATED),P-OPTION,EU,230V	1	RS	*U-Handle(RSG5P)**	SA

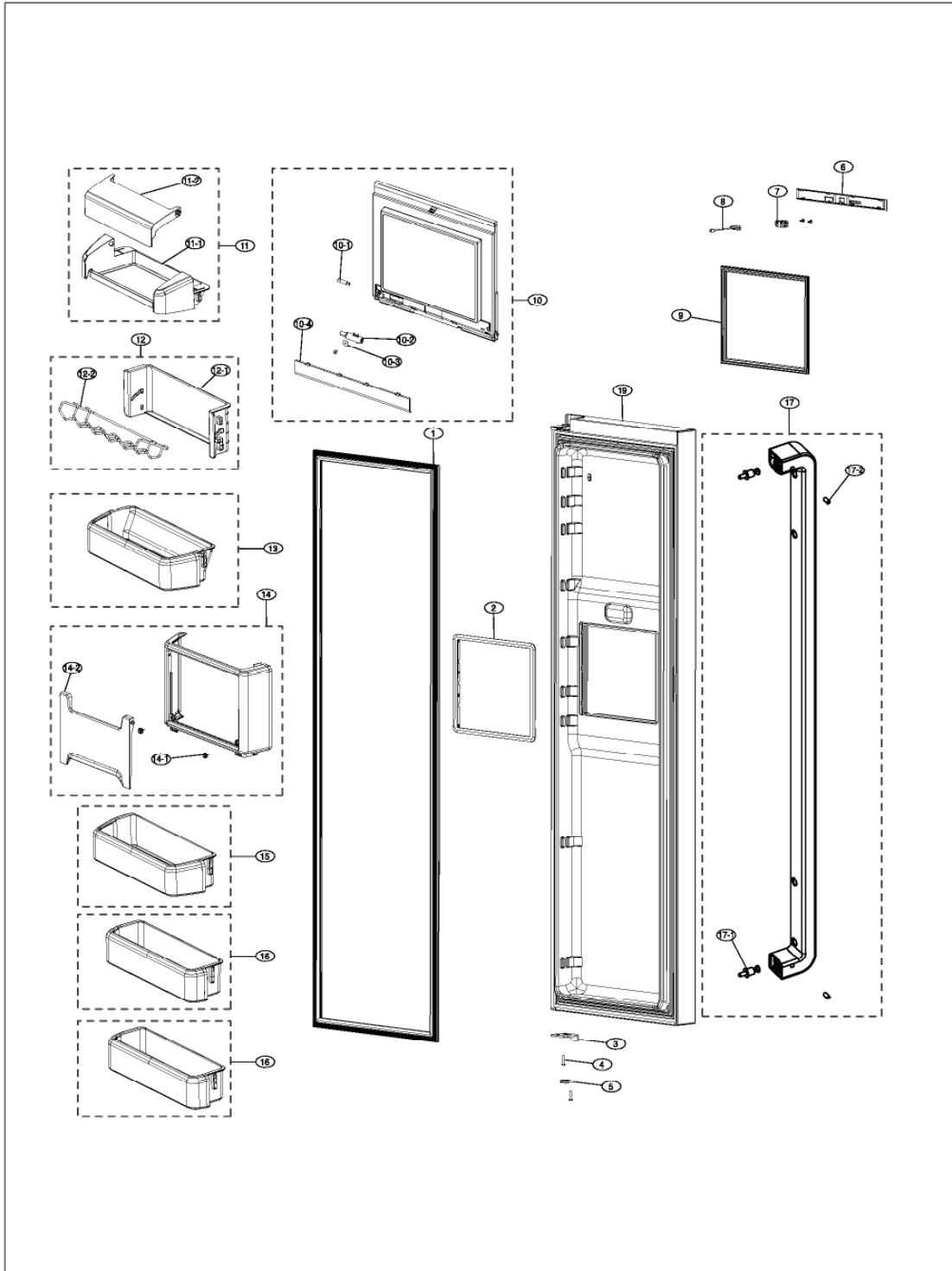
EXPLODED VIEW & PART LIST

■ Parts List of Fridge Door (RSG5P**)

NO	CODE-NO	PART NAME	Spec	Quantity	Color	Remark	SA/SNA
19	DA91-02736X	ASSY DOOR FOAM REF	GGH09_EXP_PLATINUM INOX,P-OPTION,EU,230V	1	PN	"U-Handle(RSG5PU")"	SA
	DA91-02736Y		GGH09_EXP_MANHATTAN SILVER,P-OPTION,EU,230V		MH		SA
	DA91-02736Z		GGH09_EXP_EMPIRE BLACK,P-OPTION,EU,230V	1	BP		SA
	DA91-02736A		GGH09_EXP_SNOW WHITE,P-OPTION,EU,230V	1	SW/EW		SA
	DA91-02736B		GGH09_EXP_PLATINUM SILVER,P-OPTION,EU,230V	1	PS		SA

EXPLODED VIEW & PART LIST

5-5-3) Fridge Door (RSG5PC**)



EXPLODED VIEW & PART LIST

■ Parts List of Fridge Door (RSG5PC**)

NO	CODE-NO	PART NAME	Spec	Quantity	Color	Remark	SA/SNA
1	DA97-04568P	ASSY-GASKET DOOR REF	GUGGENHEIM,SC-97487,-	1	BP		SA
	DA97-04568T		GUGGENHEIM,SC-97487,BLACK				
2	DA64-02931A	TRIM-CASE HOME BAR OUT	GUGGENHEIM,ABS,;,COOL WHITE,-	1			SA
3	DA61-04196A	STOPPER-DOOR R	GUGGENHEIM,SHPI,T3,0,;,,,	1			SA
4	6001-001377	SCREW-MACHINE	TH,+,M5L25,ZPC(WHT),SWRC18A,FP,-	3			SA
5	DA66-00557A	CAM HINGE-RISER UPP R	GUGGENHEIM,NY-96,-,BLACK,;,,,	1			SA
6	DA63-04400B	COVER-LATCH REF	GUGGENHEIM,PJT,ABS,NOBLE GRAY(SC-02009R)-	1	RS/MH/PN		SA
	DA63-04400A		GUGGENHEIM,PJT,ABS,-Black(SC-00477R)-		BP		
	DA63-04400C		GUGGENHEIM,PJT,ABS,Titan Gray(SC-03188R)-		PS		
	DA63-04400D		GUGGENHEIM,PJT,ABS,Snow White(SC-07927R)-		SW/EW		
7	DA97-07117B	ASSY-LATCH	SH7749XWISM,PCM,BLK,SPRING	1			SA
8	DA34-00043C	SWITCH REED-ASS'Y	20V(DC),5A-	1			SA
9	DA63-04480A	GASKET-HOME BAR	GUGGENHEIM,PJT,SF,PVC,;,SEMI-GRAY,-,REF	1			SA
10	DA97-06534B	ASSY HOME BAR-REF	GGH-PJT,NOBLE GRAY,STS COVERING(STS493)	1	RS		SA
	DA97-06534A		GGH-PJT,TITAN GRAY,PLAINUM SILVER COVERING		PS		
	DA97-06534C		GGH-PJT,TITAN GRAY,PLAINUM INOX COVERING		PN		
	DA97-06536A		GUGGENHEIM,PJT,ABS,-,Black(SC-00477R),EXP		BP		
	DA97-06536B		GGH-PJT,NOBLE GRAY,Manhattan Silver(SC-00366S)		MH		
	DA97-06536D		GUGGENHEIM,PJT,ABS,-,Snow White(SC-07927R)-		SW/EW		
10-1	DA66-00564A	SHAFT-DAMPER HOME BAR	GUGGENHEIM,STS304,;,,,;	1			SA
10-2	DA97-06850A	ASSY DAMPER-HOME BAR	GUGGENHEIM,;,,,;	1			SA
10-3	DA60-40104J	WASHER	-,Fl,42,;T0&T3-PJT,;,-,STS304-	1			SA
10-4	DA67-01958A	CAP-DAMPER HOME BAR REF	GUGGENHEIM,ABS,;,COOL WHITE(SC-02740R)-	1			SA
11	DA97-06178A	ASSY GUARD-DAIRY	GUGGENHEIM,;,,,;	1			SA
11-1	DA63-04197A	GUARD-DAIRY	GUGGENHEIM,HIPS,;,COOL-WHITE,-	1			SA
11-2	DA63-04198A	COVER-DAIRY	GUGGENHEIM,GPPS,;,,,;TRP,-	1			SA
12	DA97-06549B	ASSY-CAN CARRY	GUGGENHEIM,ABS,;,-	1			SA
12-1	DA61-04399B	SUPPORT-RACK CAN CARRY	GUGGENHEIM,ABS,;,COOL WHITE,-	1			SA
12-2	DA75-00209A	RACK-CAN CARRY	GUGGENHEIM,STS204,;,,,;	1			SA
13	DA97-06495C	ASSY GUARD-REF HOME BAR UPP	GUGGENHEIM,;,,,;GPPS	1			SA
14	DA97-06182A	ASSY CASE-DOOR RECESS REF	GUGGENHEIM,;,,,;	1			SA
14-1	DA63-00991A	GROMMET-DOOR RECESS	A-TOP,SILICON,;,,,;NTR,-	2			SA
14-2	DA63-04203A	COVER-DOOR RECESS REF	GUGGENHEIM,GPPS,;,,,;TRP,-	1			SA
15	DA97-07807A	ASSY GUARD-REF MID	GGH09,GPPS	1			SA
16	DA97-06175E	ASSY GUARD-REF LOW	GUGGENHEIM,;,,,;Dark Gray, Coolgray 9/CW/6AP VVVV, Y	2			SC
17	DA97-07848A	ASSY HANDLE-REF	GGH09,ASSY	1	RSG5PC**		SA
17-1	DA61-03403A	BRACKET-HANDLE	SWRC10A,FM,R	2	RSG5PC**	*U-Handle(RSG5U**)	SA
17-2	6004-000113	SCREW-SET	GGH09,STS302	2	RSG5PC**		SA
18	DA63-04701A	GROMMET-CHASSIS	GUGGENHEIM,SILICON,;,,,;GRAY,-	1			SA
19	DA91-02736L	ASSY DOOR FOAM REF	GGH09_EXP,REAL,STS(COATED),P-OPTION,EU,230V	1	RS	*U-Handle(RSG5U**)	SA
	DA91-02736X		GGH09_EXP,PLATINUM INOX,P-OPTION,EU,230V	1	PN		SA
	DA91-02736Y		GGH09_EXP,MANHATTAN SILVER,P-OPTION,EU,230V	1	MH		SA
	DA91-02736Z		GGH09_EXP,EMPIRE BLACK,P-OPTION,EU,230V	1	BP		SA
	DA91-02736A		GGH09_EXP,SNOW WHITE,P-OPTION,EU,230V	1	SW/EW		SA
	DA91-02736B		GGH09_EXP,PLATINUM SILVER,P-OPTION,EU,230V	1	PS		SA