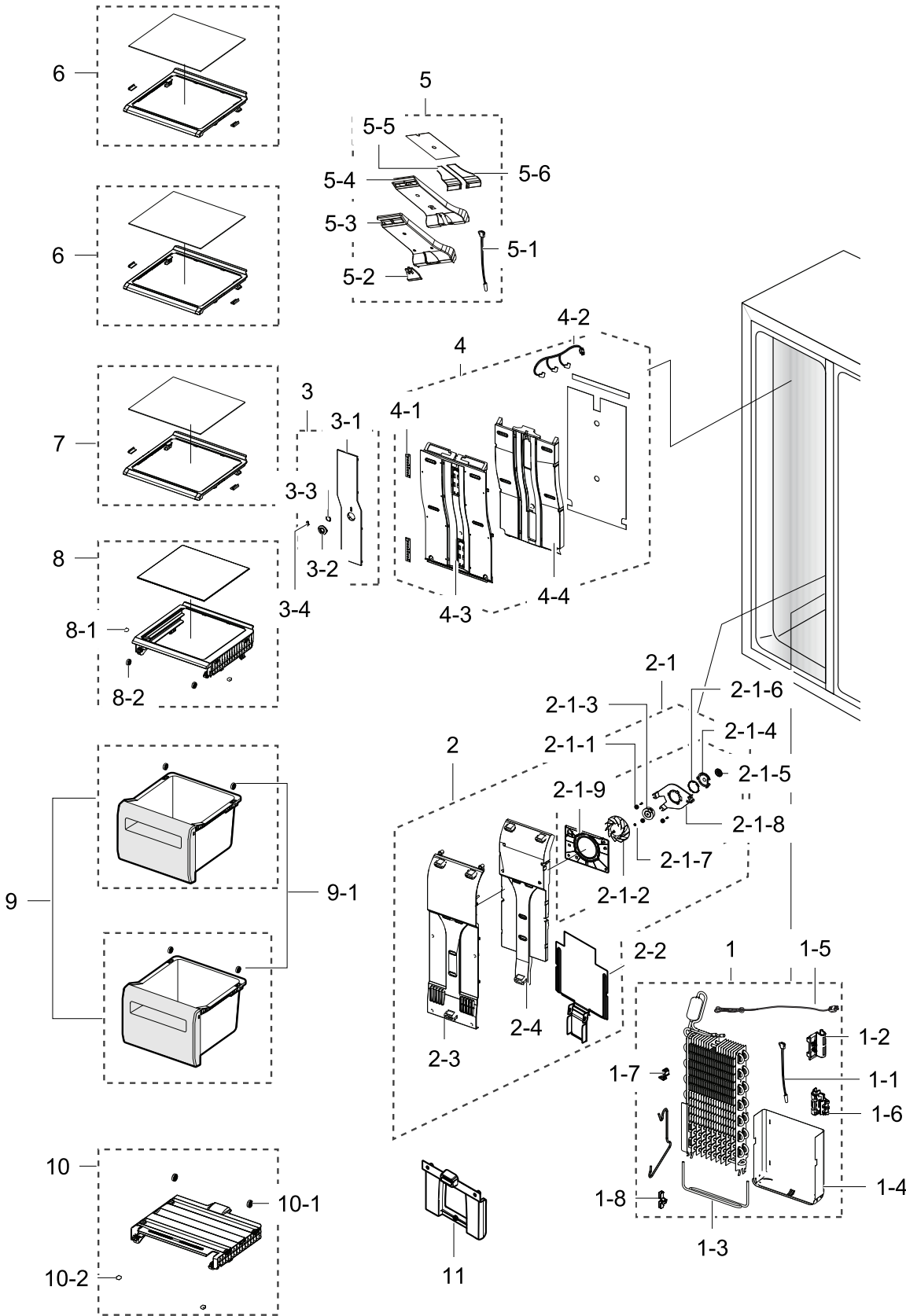


1. freezer

Exploded View



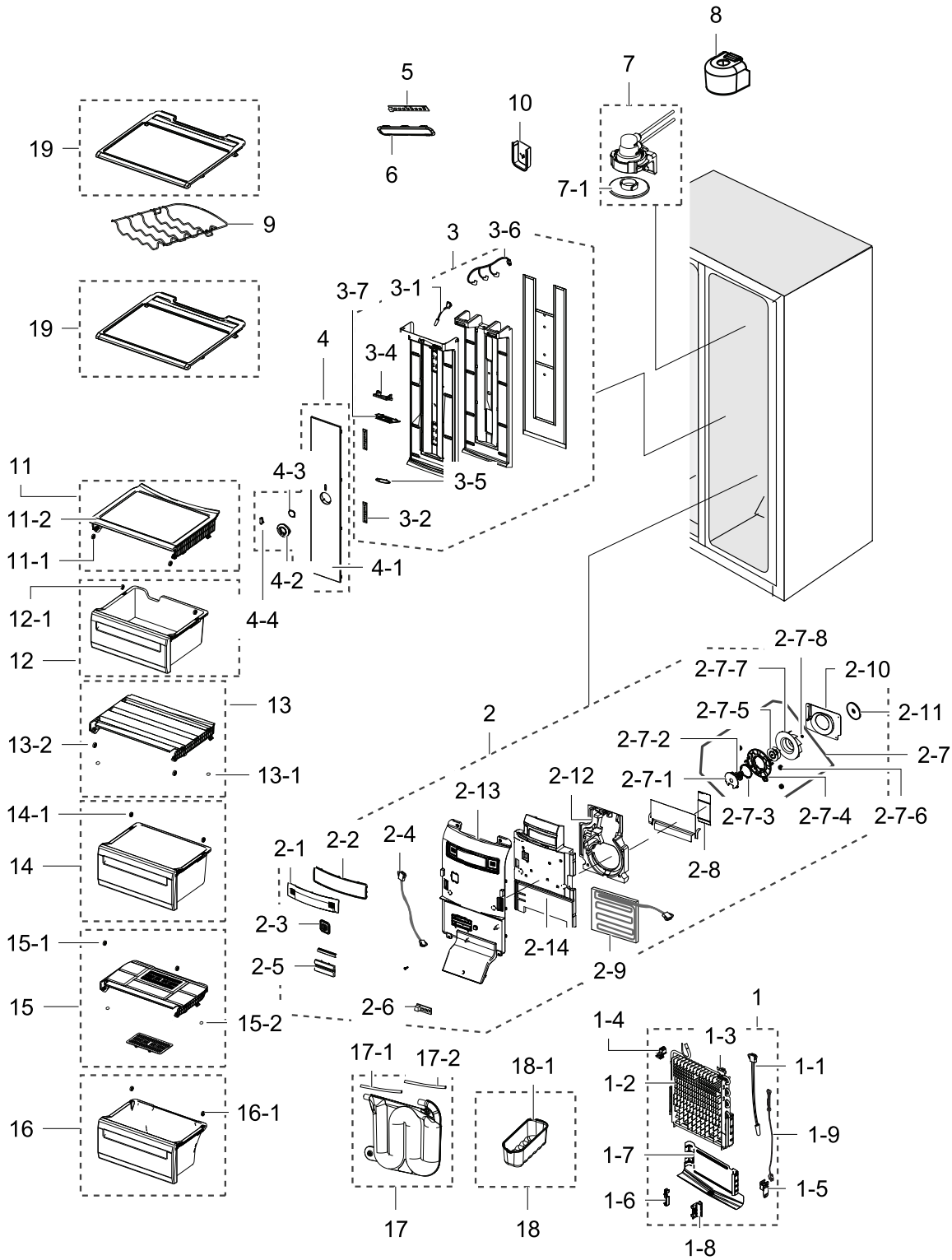
Parts List

No.	Lvl.	Loc.	Material Code	Description & Specification	SNA	Qty.
1	2	RF011	DA96-00672N	ASSY EVAP-FRE; GUGGENHEIM,FIN PIPE,A1070S	SA	1
1-1	3	RR336	DA32-00029N	SENSOR TEMP; DTN-C502G6X,DKST1329GW,NEXT-	SA	1
1-2	3	RF217	DA61-05160A	FIXER-FUSE; CULLI_09,PP,NATURAL,HB,BJ750	SA	1
1-3	3		DA47-00320K	HEATER METAL SHEATH; AC230V,GGH10 FRE, 24	SA	1
1-4	3	RF169	DA61-05990B	PLATE-DRAIN EVAP FRE; GUGGENHEIM,GL-SAZCC	SA	1
1-5	3	RR342	DA47-00301F	THERMO FUSE-ASSY; AC250V,10A,109~110S	SA	1
1-6	3	RG124	DA61-02901A	FIXER-SENSOR EVAP; CORE-PJT,PP,-,NTR,-	SA	1
1-7	3	RR006	DA61-06013A	FIXER-WIRE; AW3-PJT,PP,NTR	SC	2
1-8	3	RU374	DA61-06691A	FIXER-WIRE FRE SUB; HM/GGH/HAEMIL,PP,NTR,	SA	1
2	2	RF005	DA97-06098P	ASSY-COVER EVAP FRE; GGH,EXPORT	SA	1
2-1	3	RI389	DA97-06096B	ASSY MOTOR-FAN FRE; GUGGENHEIM,230V, PI 1	SA	1
2-1-1	4	RI086	DA63-04118A	GROMMET-MOTOR; GUGGENHEIM,SI,ID8,OD18,WHI	SA	3
2-1-2	4	RK184	DA31-00213A	FAN-BACKWARD; -,GUGGENHEIM,ABS,PI 130.5,W	SA	1
2-1-3	4	RK358	DA31-00211A	MOTOR BLDC-COMPACT; DREP5060RA,1500,12V,3	SA	1
2-1-4	4	RF149	DA61-04129B	BRACKET-MOTOR REF B; HIPS,T2.0,NTR	SA	1
2-1-5	4	RI377	DA63-04130A	GROMMET-MOTOR LOW; GUGGENHEIM,RUBBER,-,-,	SA	1
2-1-6	4	RI378	DA63-04131A	GROMMET-MOTOR HIGH; GUGGENHEIM,RUBBER,-,-	SA	1
2-1-7	4	RR053	DA61-20128A	SPRING ETC-FAN; STS304,PI8.8,ID7.8,OD9.8,	SA	1
2-1-8	4		DA61-04110B	BRACKET-MOTOR FRE; GUGGENHEIM,ABS+GLASSFI	SA	1
2-1-9	4	RI392	DA61-04111B	PLATE-FAN MOTOR FRE; GUGGENHEIM,ABS+GF,T2	SA	1
2-2	3	RF168	DA61-05992C	PLATE-EVAP HEATER FRE; GUGGENHEIM,GL-SAZC	SA	1
2-3	3	RF527	DA63-04111A	COVER EVAP-FRE; GUGGENHEIM,PP,T2.0,-,-,-,	SNA	1
2-4	3	RI232	DA62-01737A	INSULATION-EVAP FRE; GUGGENHEIM,PS FOAM,W	SNA	1
3	2	RF031	DA97-06100A	ASSY-COVER LAMP FRE; GUGGENHEIM,LED TYPE,	SA	1
3-1	3	RF396	DA63-04117A	COVER LAMP-FRE; GUGGENHEIM,PP,T2.0,-,-,-,	SA	1

No.	Lvl.	Loc.	Material Code	Description & Specification	SNA	Qty.
3-2	3	RI372	DA63-04121A	COVER-SENSOR MID A; GUGGENHEIM,ABS,T2.0,N	SA	1
3-3	3	RI373	DA63-04122A	COVER-SENSOR MID B; GUGGENHEIM,ABS,T2.0,S	SA	1
3-4	3	RI374	DA63-04123A	COVER-SENSOR MID C; GUGGENHEIM,ABS,T2.0,N	SA	1
4	2	RF439	DA97-06444A	ASSY COVER-MULTI FRE; GUGGENHEIM,-,-,-,-	SA	1
4-1	3	RK387	DA41-00519B	ASSY LAMP LED; 5ea,CEM-1,100*20,WHITE,SMA	SA	2
4-2	3	RR864	DA96-00424B	ASSY WIRE HARNESS-LED; ALL,12VDC,ALL,UL,A	SA	1
4-3	3	RF441	DA63-04357A	COVER-MULTI FRE; GUGGENHEIM,PP,T2.0,-,-,-	SNA	1
4-4	3	RI229	DA62-01870A	INSULATION-MULTI FRE; GUGGENHEIM,PS FOAM,	SNA	1
5	2	RI027	DA97-06469E	ASSY COVER-ICE DUCT FRE; GUGGENHEIM	SA	1
5-1	3	RR340	DA32-10109Y	SENSOR TEMP; 502AT, DKST1329GW, PX-41C,A-	SC	1
5-2	3	RI395	DA67-02035A	CAP-SENSOR ICE DUCT; GUGGENHEIM,PP,T2.0,-	SA	1
5-3	3	RG179	DA63-04358A	COVER-ICE DUCT FRE; GUGGENHEIM,PP,T2.0,-,	SNA	1
5-4	3		DA62-01871A	INSULATION-ICE DUCT FRE; GUGGENHEIM,PS FO	SNA	1
5-5	3		DA61-04367A	PLATE-ICE DUCT L; GUGGENHEIM,HIPS,T1.0,-,	SNA	1
5-6	3		DA61-04368A	PLATE-ICE DUCT R; GUGGENHEIM,HIPS,T1.0,-,	SNA	1
6	2	RF363	DA97-06439C	ASSY SHELF FRE-MID A; GUGGENHEIM-PJT,DISP	SA	1
7	2	RF363	DA97-06439C	ASSY SHELF FRE-MID A; GUGGENHEIM-PJT,DISP	SA	1
8	2	RF087	DA97-06137B	ASSY SHELF-FRE LOW; GUGGENHEIM,HIPS	SC	1
8-1	3	RI088	DA63-04402A	GROMMET-COVER SUB; GUGGENHEIM,SI	SA	2
8-2	3	RR351	DA66-10104C	ROLLER-FRE; GUGGENHEIM,POM,NATURAL	SA	2
9	2	RF002	DA97-06133E	ASSY CASE-BASKET UP; GUGGENHEIM,-,-,-,-S	SA	2
9-1	3	RR351	DA66-10104C	ROLLER-FRE; GUGGENHEIM,POM,NATURAL	SA	2
10	2	RI387	DA97-06135A	ASSY COVER-BASKET LOW; GUGGENHEIM,-,-,-,-	SA	1
10-1	3	RR351	DA66-10104C	ROLLER-FRE; GUGGENHEIM,POM,NATURAL	SA	2
10-2	3	RI088	DA63-04402A	GROMMET-COVER SUB; GUGGENHEIM,SI	SA	2
11	2	RF271	DA63-04543A	COVER EVAP-FRE SUB; Guggenheim-PJT,ABS,T2	SA	1

2. fridge

Exploded View



Parts List

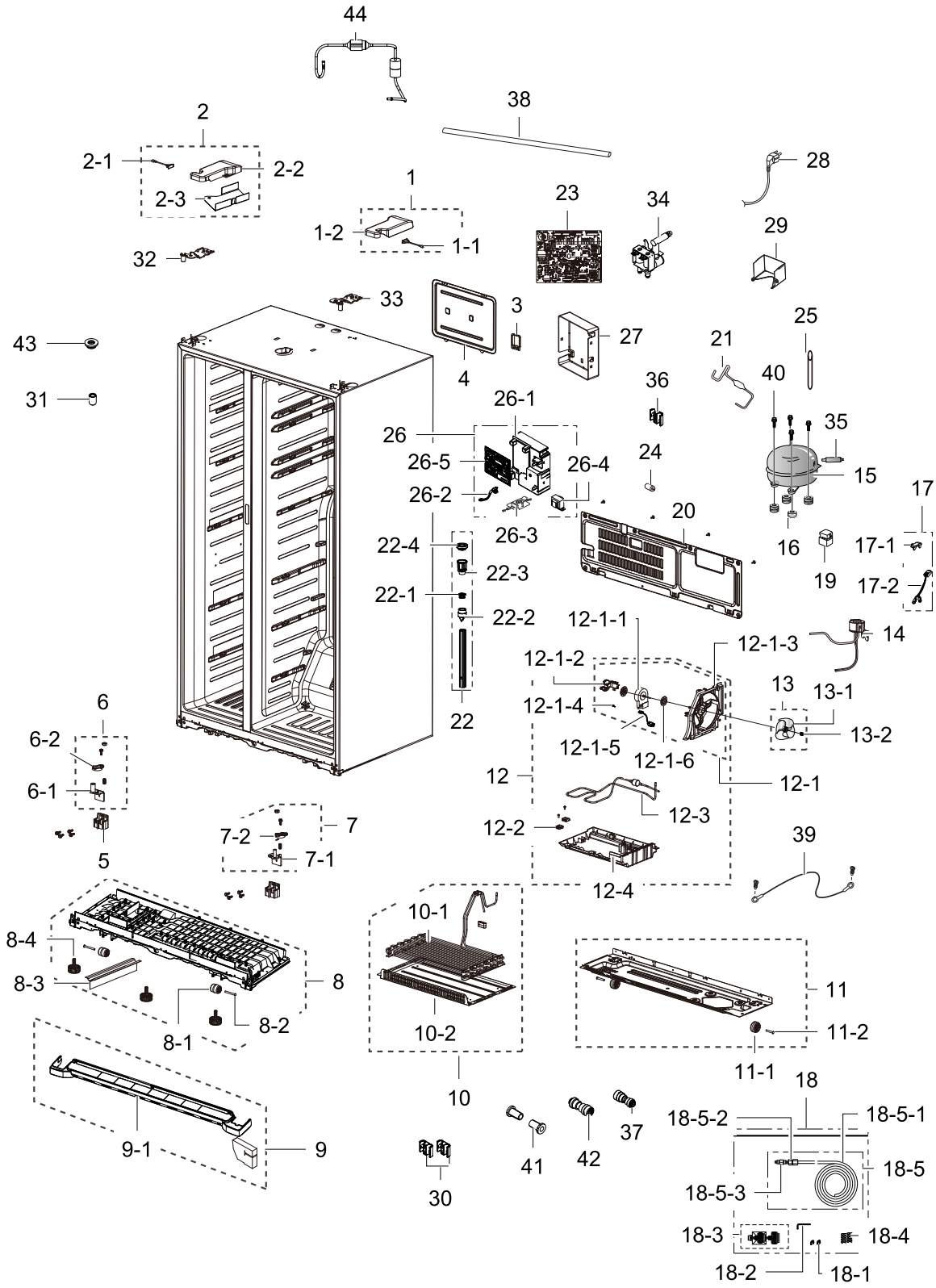
No.	Lvl.	Loc.	Material Code	Description & Specification	SNA	Qty.
1	2	RI016	DA96-00673Q	ASSY EVAP-REF; GUGGENHEIM,FIN PIPE,A1070S	SA	1
1-1	3	RY452	DA32-00029M	SENSOR TEMP; DTN-C502G6X, DKST1329GW,NEXT	SA	1
1-2	3		DA47-00321K	HEATER METAL SHEATH; AC230V,GGH10 REF, 37	SA	1
1-3	3	RK213	DA61-03683A	FIXER-SENSER; AW-PJT,PP,-,NTR,FH-44N	SA	1
1-4	3	RR006	DA61-06013A	FIXER-WIRE; AW3-PJT,PP,NTR	SC	2
1-5	3	RC049	DA61-06062A	PLATE-EVAP BRACKET REF; HERMES/GUGGENHEIM	SA	1
1-6	3	RU375	DA61-06700A	FIXER-HEATER WIRE REF; HM/GGH/HAEMIL,PP,N	SA	2
1-7	3	RF385	DA61-05702B	PLATE-DRAIN EVAP REF; HERMES, GUGGENHEIM,	SA	1
1-8	3	RF217	DA61-05160A	FIXER-FUSE; CULLI_09,PP,NATURAL,HB,BJ750	SA	1
1-9	3	RR355	DA47-00301E	THERMO FUSE-ASSY; AC250V,10A,109~110S	SA	1
2	2	RI008	DA97-11863B	ASSY-COVER EVAP REF; GGH,EUROPE,220~240V	SA	1
2-1	3	RF333	DA63-04129F	COVER-PURIFIER LOW; GGH,PP,HB,BJ750,EXP,D	SA	1
2-2	3	RG056	DA64-02468A	TRIM-PURIFIER LOW; GUGGENHEIM,ABS,MP-0160	SA	1
2-3	3	RI609	DA61-04393A	GUIDE AIR-REF; GUGGENHEIM-PJT,HIPS,-,-,-,	SA	1
2-4	3	RR865	DA96-00424C	ASSY WIRE HARNESS-LED; ALL,12VDC,ALL,UL,A	SA	1
2-5	3	RG031	DA63-04128B	COVER-LED REF LOW; GUGGENHEIM,GPPS,HF-266	SA	1
2-6	3	RR944	DA96-00392C	ASSY LAMP LED; 2ea,CEM-1,100*20,WHITE,SMA	SC	1
2-7	3	RI390	DA97-06095B	ASSY MOTOR-FAN REF; GUGGENHEIM,BLDC PI130	SA	1
2-7-1	4	RF149	DA61-04129B	BRACKET-MOTOR REF B; HIPS,T2.0,NTR	SA	1
2-7-2	4	RI377	DA63-04130A	GROMMET-MOTOR LOW; GUGGENHEIM,RUBBER,-,-,	SA	1
2-7-3	4	RI378	DA63-04131A	GROMMET-MOTOR HIGH; GUGGENHEIM,RUBBER,-,-	SA	1
2-7-4	4	RF148	DA61-04128A	BRACKET-MOTOR REF A; GUGGENHEIM-PJT,ABS+G	SA	1
2-7-5	4	RK359	DA31-00211B	MOTOR BLDC-COMPACT; DREP5060RB,1500,12V,3	SA	1
2-7-6	4	RI086	DA63-04118A	GROMMET-MOTOR; GUGGENHEIM,SI,ID8,OD18,WHI	SA	3
2-7-7	4	RK184	DA31-00213A	FAN-BACKWARD; -,GUGGENHEIM,ABS,PI 130.5,W	SA	1

Exploded Views and Parts List

No.	Lvl.	Loc.	Material Code	Description & Specification	SNA	Qty.
2-7-8	4	RR053	DA61-20128A	SPRING ETC-FAN; STS304,PI8.8,ID7.8,OD9.8,	SA	1
2-8	3	RI271	DA61-06142A	PLATE-DRAIN INS EVAP REF; GUGGENHEIM,A110	SA	1
2-9	3	RI045	DA47-00283A	HEATER-WATER TANK; AC230V,GGH, 13225ohm,4	SNA	1
2-10	3		DA61-04131A	PLATE-MOTOR REF; GUGGENHEIM,HIPS,T2.5,NAT	SA	1
2-11	3	RI549	DA61-05180A	PLATE-MOTOR FAN; GGH-PJT,STS304,T1.0,OD16	SA	3
2-12	3	RE287	DA62-02180A	INSULATION-EVAP REF B; GUGGENHEIM09,PS FO	SNA	1
2-13	3	RG175	DA63-04124A	COVER-EVAP REF; GUGGENHEIM,PP,T2.0,-,-,-,	SNA	1
2-14	3	RE288	DA62-02178A	INSULATION-EVAP REF A; GUGGENHEIM09,PS FO	SNA	1
3	2	RI019	DA97-06101D	ASSY-COVER MULT REF; GUGGENHEIM,LED/EXP	SA	1
3-1	3	RR340	DA32-10109Y	SENSOR TEMP; 502AT, DKST1329GW, PX-41C,A-	SC	1
3-2	3	RK387	DA41-00519B	ASSY LAMP LED; 5ea,CEM-1,100*20,WHITE,SMA	SA	2
3-4	3	RI376	DA63-04127A	COVER-PURIFIER HIGH B; GUGGENHEIM,MIPS,MI	SA	1
3-5	3	RF332	DA64-02465A	TRIM-PURIFIER UPP; GUGGENHEIM,ABS,MP-0160	SA	1
3-6	3	RR863	DA96-00424A	ASSY WIRE HARNESS-LED; ALL,12VDC,ALL,UL,A	SA	1
3-7	3	RI375	DA63-04126A	COVER-PURIFIER HIGH A; GUGGENHEIM,PP,-,-,	SA	1
4	2	RI391	DA97-06092A	ASSY COVER-LAMP REF; GUGGENHEIM,-,-,-,-,-	SA	1
4-1	3	RI371	DA63-04120A	COVER LAMP-LED REF; GUGGENHEIM,PP,T2.0,-,	SA	1
4-2	3	RI372	DA63-04121A	COVER-SENSOR MID A; GUGGENHEIM,ABS,T2.0,N	SA	1
4-3	3	RI373	DA63-04122A	COVER-SENSOR MID B; GUGGENHEIM,ABS,T2.0,S	SA	1
4-4	3	RI374	DA63-04123A	COVER-SENSOR MID C; GUGGENHEIM,ABS,T2.0,N	SA	1
5	2	RY433	DA41-00519V	ASSY LAMP LED; 4ea,CEM-1,100*20,WHITE,SMA	SA	2
6	2	RI370	DA63-04119B	COVER LAMP-LED FRONT; CORE,PC,T2,W145,L36	SA	2
7	2	RI006	DA97-06317A	ASSY CASE-FILTER; AW,-,-,-,-,-	SA	1
7-1	3	RM033	DA67-02270A	CAP-SUPPORT FILTER; A-TOP,PP,-,-,-,WHITE,	SA	1
8	2	RI696	DA63-04150B	COVER-FILTER; AW,HIPS,-,96.0,73.6,-,-,COO	SC	1

3. cabinet

Exploded View



Parts List

No.	Lvl.	Loc.	Material Code	Description & Specification	SNA	Qty.
1	2	RO045	DA97-06159C	ASSY COVER HINGE-UPP R; GUGGENHEIM(EXP),T	SA	1
1-1	3	RY001	DA34-00043C	SWITCH REED; 13mm,UL1007 AWG 22,100,HOOK	SA	1
1-2	3	RO455	DA63-04180C	COVER HINGE-UPP R; GUGGENHEIM(EXP),ABS,T2	SA	1
2	2	RO044	DA97-06160C	ASSY COVER HINGE-UPP L; GUGGENHEIM(EXP),-	SA	1
2-1	3	RY001	DA34-00043C	SWITCH REED; 13mm,UL1007 AWG 22,100,HOOK	SA	1
2-2	3	RK129	DA63-04181C	COVER HINGE-UPP L; GUGGENHEIM(EXP),N-ABS,	SA	1
2-3	3	RO250	DA61-04527A	PLATE-COVER HINGE; GGH-PJT,SBHG1,T0.4,91.	SA	1
3	2	RM030	DA63-00586B	COVER-TUBE FILTER; A-TOP,PP,NATURAL,BJ750	SA	1
4	2	RO461	DA97-06120A	ASSY COVER-PCB PANEL MAIN; GUGGENHEIM,SBH	SA	1
5	2	RO500	DA61-04215A	BRACKET HINGE-LOW; GUGGENHEIM,AL,-,-,-,-,-,-,-,-,-,-	SA	2
6	2	RO037	DA97-06158A	ASSY HINGE LOW-L; GUGGENHEIM,-,-,-,-,BLK,-,-	SA	1
6-1	3	RO434	DA61-04191A	HINGE-LOW L; GUGGENHEIM,SHP1,T4.5,-,-,-,-,-	SA	1
6-2	3	RD200	DA66-00560A	CAM HINGE-RISER LOW L; GUGGENHEIM,PC(HF-1	SA	1
7	2	RO038	DA97-06157A	ASSY HINGE LOW-R; GUGGENHEIM,-,-,-,-,BLK,-,-	SA	1
7-1	3	RO436	DA61-04190A	HINGE-LOW R; GUGGENHEIM,SHP1,T4.5,-,-,-,-,-	SA	1
7-2	3	RD201	DA66-00559A	CAM HINGE-RISER LOW R; GUGGENHEIM,NY-66,-	SA	1
8	2		DA97-06115N	ASSY CABI BOTT FR; GGH09,PP,DISP	SNA	1
8-1	3	RO360	DA61-04702A	CASTER-FRONT; AW-PJT,PP,NATURAL,32, PP+TP	SA	2
8-2	3	RH012	DA61-01920A	CASTER-RIVET; (ZPC2),MSWR10,-,OD8.0,L58	SA	2
8-3	3	RM102	DA64-02605A	TRIM-BLADE; GUGGENHEIM,PVC,-,-,-,-,WHITE+GR	SA	1
8-4	3	RO100	DA61-00805F	FOOT-FRONT; REF-ALL,PP+MSWR10,BLACK,PP_S	SA	2
9	2	RO003	DA97-06756K	ASSY COVER LEG FRONT; GUGGENHEIM,-,T2.5,W	SA	1
9-1	3	RO287	DA63-04467E	COVER LEG-FRONT; GUGGENHEIM,PP,T2.5,W98,L	SA	1
10	2	RH701	DA97-06123D	ASSY-CONDENSER; GUGGENHEIM,SWST,ID3.76,OD	SA	1

Exploded Views and Parts List

No.	Lvl.	Loc.	Material Code	Description & Specification	SNA	Qty.
10-1	3	RC702	DA97-06122B	ASSY-FIN CONDENSER; GUGGENHEIM,SWST,ID3.7	SA	1
10-2	3	RC022	DA97-06508F	ASSY COVER-CONDENSER; GUGGENHEIM,SBHG1,FO	SA	1
11	2	RO002	DA97-06121B	ASSY CHASSIS-COMP; GUGGENHEIM,SBHG1,T1.2,	SA	1
11-1	3	RR242	DA61-04703A	CASTER-REAR; AW-PJT,PP,NTR,35,PP+TPE	SA	2
11-2	3	RX039	DA66-00649A	SHAFT-CASTER; AW-PJT,MSWR10,L46,OD8.0,ZPC	SC	2
12	2	RH003	DA97-06206A	ASSY TRAY-DRAIN WATER; GUGGENHEIM,-,-,-,N	SA	1
12-1	3	RO132	DA97-03870C	ASSY SUPPORT-CIRCUIT MOTOR; GUGGENHEIM,-,	SA	1
12-1-1	4	RR088	DA31-00146B	MOTOR BLDC; DRCP5030LA,1550,12V,230mA,2.7	SC	1
12-1-2	4	RH039	DA61-02355B	BRACKET-CIRCUIT MOTOR; ABS,NEXT,-,-,-,NTR	SA	1
12-1-3	4	RF412	DA61-02788A	SUPPORT-CIRCUIT MOTOR; ET/A-TOP_VE,ABS,T2	SA	1
12-1-4	4	RR066	DA63-40167A	GROMMET-COVER CHIL; SIL16,WHITE	SA	1
12-1-5	4	RR925	DA96-00042A	ASSY WIRE HARNESS-MOTOR; ALL,12VDC,UL+IEC	SA	1
12-1-6	4	RO138	DA63-01146A	GROMMET-MOTOR,REAR; A-TOP,NBR,BLACK,BLDC	SA	2
12-2	3	RH054	DA63-04424A	GROMMET-COND SUB; GUGGENHEIM,NBR,-,-,-,-,	SA	2
12-3	3	RH055	DA97-06125A	ASSY PIPE-CONDENSER SUB; GUGGENHEIM,SWST,	SA	1
12-4	3	RH885	DA63-04186B	TRAY DRAIN-WATER; GUGGENHEIM,PP,T2.0,HB,G	SA	1
13	2	RK180	DA31-00010F	FAN-ASS'Y; SBS,ABS+GF,3-Wings,GR-0410	SA	1
13-1	3	RR029	DA31-00015C	FAN-TURBO; ET-PJT,ABS+GF,GR-4010	SA	1
13-2	3	RK792	DA61-03139A	SPRING ETC-FAN; -,STS304,CD1.0,-,-,L3.0,3	SA	1
14	2	RF113	DA97-07070A	ASSY MOTOR-STEP VALVE; 3-WAY,150mm,140mm	SA	1
15	2	RH002	EU4A5QL2X/E01	COMPRESSOR,BLDC,15.32CC,220-240V,FAN COO; COMPRESSOR,BLDC,15.32CC,220-240V,FAN COO		1
16	2	RH732	DA63-02617A	GROMMET COMP; USP05,EPDM,OD27.0,BLACK	SA	4
17	2	RH070	DA97-08310K	ASSY COMP-SUB; WIRE HARNESS-COMP SUB,4TM3	SA	1
17-1	3	RO354	DA34-00004C	RELAY PROTECTOR O/L; 4TM319SFBYY-82,BK190	SC	1

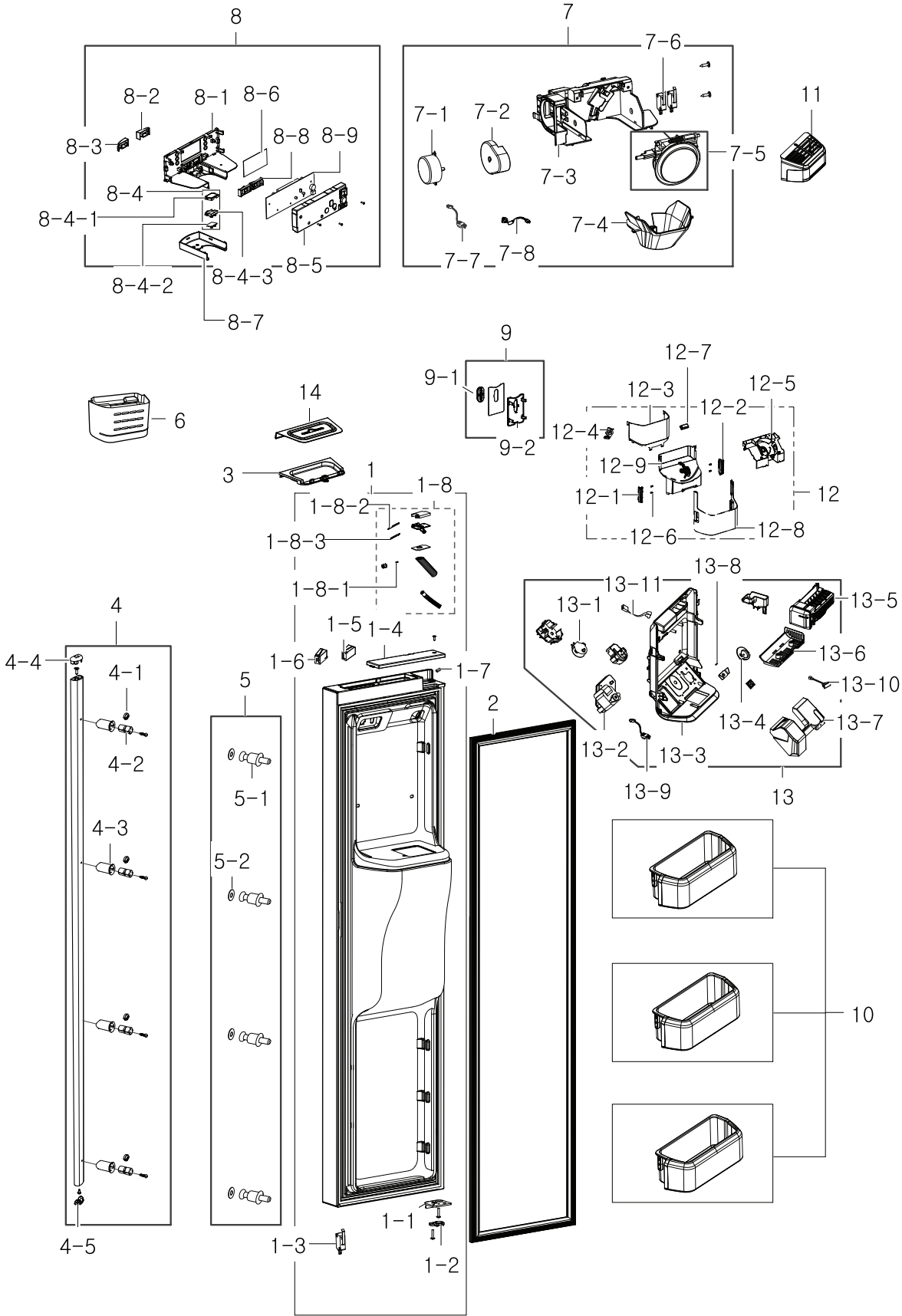
No.	Lvl.	Loc.	Material Code	Description & Specification	SNA	Qty.
17-2	3	RH741	DA39-00154D	ASSY WIRE HARNESS-COMP; ALL,FREE VOLT,UL+	SA	1
18	2	RI069	DA97-11752A	ASSY-INSTALL FILTER; GUGGENHEIM	SA	1
18-1	3	RR094	DA61-04522A	CLIP-FITTING LOCK; AW,POM,-,-,1/4inch	SA	2
18-2	3		DA80-00002F	WRENCH-SPANNER; AW3,SM45C,Zn PLATING	SA	1
18-3	3	RC001	DA62-01329A	PIPE-CONNECT WATER PACKING; ET-PJT,BRASS,	SA	1
18-4	3	RH710	DA65-20110B	CLAMP; -,NY-66,-,-,DN-5N,PI8.0	SA	8
18-5	3	RR821	DA97-00753D	ASSY PIPE-WATER; A-TOP,INVERTER,L5.5MT	SA	1
18-5-1	4	RK449	DA73-00070Q	PIPE-WATER LINE; ZIPEL,LLDPE,-,6.0,L5000,	SA	1
18-5-2	4	RR072	DA74-00070B	VALVE-FITTING NUT; A-TOP,CU,12,C3604 BD-F	SA	2
18-5-3	4	RO207	DA62-01378B	VALVE-FITTING PU; AT06,C3604BD-F,-,-,-	SA	1
19	2	RH015	DA63-01866A	COVER RELAY; NORYL,T2.0,SSEC,BLACK,HOOK	SA	1
20	2	RH001	DA97-06124C	ASSY COVER-COMP; GUGGENHEIM,SEAL NOT	SC	1
21	2	RO279	DA97-06140B	ASSY PIPE-SUCTION; GUGGENHEIM 09,ASSY	SNA	1
22	2	RZ110	DA97-04049B	ASSY CAP-DRAIN; SBS,ASSY,-,-,L224.5,-,-	SA	2
22-1	3	RG141	DA61-02443A	FIXER-DRAIN; RS18RK,HIPS,-,NTR,-	SA	2
22-2	3	RO162	DA63-00951C	GROMMET-DRAIN HOSE; V2-PJT,NBR,BLACK	SA	2
22-3	3	RZ111	DA67-01301A	CAP-DRAIN; TD09,HIPS,-,HB,S834S1,COOL WHI	SA	2
22-4	3	RO161	DA63-02761A	GROMMET-DRAIN; RS18RK,NBR,-,-,-,-,BLK,-	SA	2
23	1	RY475	DA41-00649A	ASSY PCB MAIN; GUGGENHEIM-09-PJT,TOP OF R	SA	1
24	2	RX042	DA63-40171D	GROMMET-SUCT PIPE B; RAIL L20,NBR,-,ID5.5	SA	1
25	2	RH026	DA73-10190U	PIPE-CONNECT DISC,B; TD-PJT,CU,C1220T,OD6	SA	1
26	2	RO205	DA41-00552B	CBA-PBA ASSY; GGH,ASSY PCB BOX,DISP,-,-,-	SC	1
26-1	3	RO206	DA61-04167A	CASE-PCB PANEL INV; GUGGENHEIM,ABS,-,-,-,	SA	1
26-2	3	RH057	DA96-00443C	ASSY W/HARNESS-INVERTER BOX; GUGGENHEIM,1	SA	1
26-3	3	RH069	DA27-00019H	COIL FILTER; AW3-PJT,20mH,82*60,-25 ~ +85	SA	1
26-4	3	RH069	DA27-00004D	COIL FILTER; REACTOR,7.5MH,-,169,65.5*45*	SA	1
26-5	3	RO326	DA41-00404A	ASSY PCB INVERTER; 07' INVERTER-P/J,REF T	SA	1
27	2	RH060	DA97-06839A	ASSY COVER-PCB PANEL INV; GUGGENHEIM,mPPE	SA	1
28	2	RK076	DA39-10115D	CBF-POWER CORD; UCP-2,250V,10/16A,L2100,-	SA	1
29	2	RG097	DA63-05566A	COVER-HOUSING; GGH-KENMORE,GI-SGCC,T0.5	SA	1

Exploded Views and Parts List

No.	Lvl.	Loc.	Material Code	Description & Specification	SNA	Qty.
30	2	RY480	DA61-03467B	FIXER-HOSE; AW-PJT,HIPS,NTR	SA	2
31	2	RU302	DA73-00211A	RUBBER-CAP HOSE; i4-PJT,SILICON,GRAY	SA	1
32	2	RO129	DA61-04188B	HINGE-UPP L; GUGGENHEIM(EXP),SHP1,T3.0,-,	SA	1
33	2	RO128	DA61-04189B	HINGE-UPP R; GUGGENHEIM(EXP),SHP1,T3.0,-,	SA	1
34	2	RO521	DA62-02439D	VALVE WATER; AC220-240V,120,2WAY,L-Wire,1	SA	1
35	2	RC050	DA62-02614C	DRYER-SINGLE; HAEMIL_10,C1220T,OD18.7,L11	SC	1
36	2	RY480	DA61-03467B	FIXER-HOSE; AW-PJT,HIPS,NTR	SA	2
37	2	RY762	DA60-00259B	FITTING TUBE; TUBE FITTING B,PP,1/4'-5/16	SA	1
38	2	RK436	DA62-02004A	PIPE-WATER LINE; GUGGENHEIM,PE RT,-,DISPE	SA	1
39	2	RK934	DA39-20389L	ASSY WIRE HARNESS-EARTH; ALL,FREE VOLT,UL	SC	1
40	2	RR965	DA60-20008A	BOLT-HEX; SWRCH10A,M6,L42.6(28.1),-,ZPC(S	SC	4
41	2	RM019	DA71-20207A	FIXER-VALVE WATER A; SR-S7180,PA6,OD7.4 X	SA	2
42	2	RY761	DA60-00258B	FITTING-TUBE; TUBE FITTING A,PP,1/4,1/4'-	SA	1
43	2		DA71-20252A	FIXER-GROMMET DOOR; SR-5302,ABS,-,W9175,-	SA	1
44	2	RT094	DA97-02805D	ASSY PIPE CONNECT-SUCTION; GGH09	SC	1

4. freezer door

Exploded View



Parts List

No.	Lvl.	Loc.	Material Code	Description & Specification	SNA	Qty.
1	2	RD001	DA91-03477M	ASSY DOOR FOAM FRE; GUGGENHEIM,MANHATTAN	SA	1
1-1	5	RD070	DA61-04195A	STOPPER-DOOR L; GUGGENHEIM,SHP1,T3.0,-,-,	SA	1
1-2	5	RD202	DA66-00558A	CAM HINGE-RISER UPP L; GUGGENHEIM,PC(HF-1	SC	1
1-3	4	RK822	DA34-00011A	SWITCH-MICRO; 125/250V,16A,80gf,SPST-NO	SA	1
1-4	5	RO231	DA63-04341A	COVER-CAP DOOR FRE; GUGGENHEIM,ABS,-,W61.	SA	1
1-5	4	RD302	DA63-04377B	GROMMET-TRAY DISPENSER L; GUGGENHEIM,NBR,	SA	1
1-6	4	RD303	DA63-04378B	GROMMET-TRAY DISPENSER R; GUGGENHEIM,NBR,	SA	1
1-7	5	RY479	DA61-03769A	MAGNET-A; HERMES,FERRITE,1600Gauss	SA	1
1-8	5	RO131	DA97-06542A	ASSY PIPE-WATER ICE; GUGGENHEIM(EXP),230V	SA	1
1-8-1	6	RM020	DA71-20208A	FIXER-VALVE WATER B; SR-S7180,PA6,-,BLUE	SA	1
1-8-2	6	RY760	DA62-01368F	PIPE-WATER LINE; PERT,4.2,6.35,1000,ORANG	SA	2
1-8-3	6		DA62-01368L	PIPE-WATER LINE; ATOP, ET, AD,PE RT,-,B23	SA	3
2	2	RR894	DA97-04568N	ASSY-GASKET DOOR FRE; GUGGENHEIM,SC-9748	SA	1
3	2	RO486	DA61-04386D	CASE-TRAY DISPENSER; GUGGENHEIM,ABS,-,W23	SA	1
4	2	RO140	DA97-06632L	ASSY HANDLE-BAR; GUGGENHEIM,AL,T1.5,REAL	SA	1
4-1	3	RO587	DA61-03636A	STOPPER-HANDLE; CULLINAN,SK5,-,-,-,-	SA	4
4-2	3	RO485	DA61-03726A	SUPPORT-HANDLE; HERMES,PA66,-,NTR	SA	4
4-3	3	RO527	DA67-01673G	CAP-SUPT HANDLE; JM,ABS,-,-,-,MANHATTAN P	SA	4
4-4	3	RK011	DA67-02051A	CAP-HANDLE; GUGGENHEIM,ABS,52.0,W31.8,L17	SA	1
4-5	3		DA67-02051B	CAP-HANDLE; GGH,ABS,VICTORY GRAY	SA	1
5	2	RO170	DA97-05529C	ASSY-BRACKET HANDLE; HREMES-PJT,SWCH10A,-	SA	4
5-1	3	RO171	DA61-03725B	BRACKET-HANDLE; HERMES,SWCH10A,-,L31,-,	SC	4
5-2	3	RJ720	DA63-03840A	GROMMET-HANDLE; HERMES,SI,T1,NTR,DISP, 40	SA	4
6	2	RD351	DA63-05013A	GUARD FRE-UPP; GUGGENHEIM,HIPS,COOL WHITE	SA	1
7	2	RE092	DA97-06473E	ASSY CASE-ICE ROUTE; GGH,AC220/240	SC	1
7-1	3	RF261	DA31-00079A	MOTOR GEARED-DISP; 15.2/18.2 rpm,50/60Hz,	SA	1

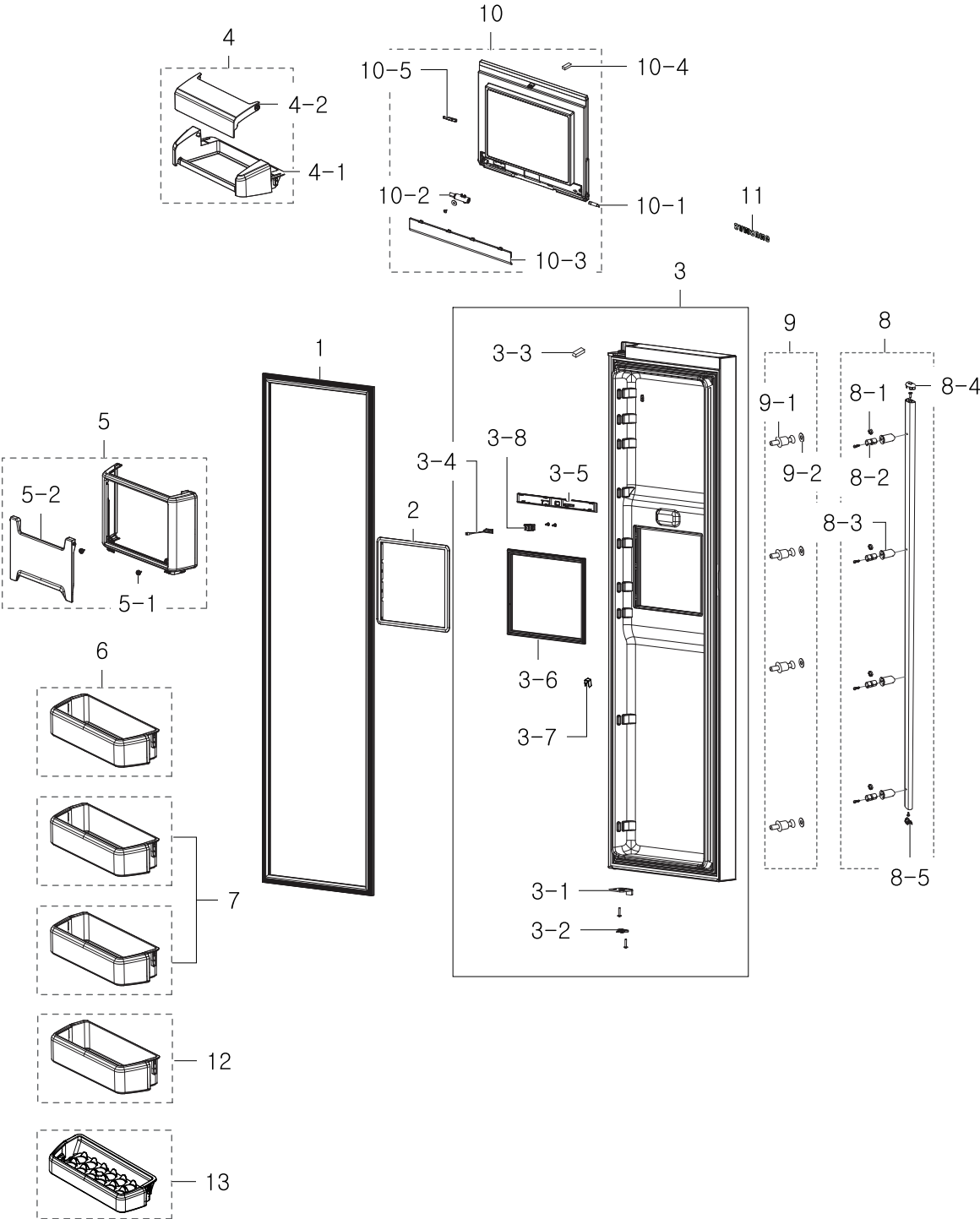
No.	Lvl.	Loc.	Material Code	Description & Specification	SNA	Qty.
7-2	3	RD199	DA66-00309A	CAM-GEAR MOTOR; QUEEN,POM,-,-,NTR,-,-,-,-	SA	1
7-3	3	RE130	DA61-04373A	CASE ICE ROUTE; GUGGENHEIM,ABS,I BLACK,-	SA	1
7-4	3	RD062	DA61-04377A	GUIDE-ICE DISPENSER; GUGGENHEIM,ABS,UT-05	SA	1
7-5	3	RD068	DA97-00883E	ASSY COVER-ICE ROUTE; QUEEN-PJT,-,-,-,-	SA	1
7-6	3	RK822	DA34-00011A	SWITCH-MICRO; 125/250V,16A,80gf,SPST-NO	SA	2
7-7	3	RE155	DA96-00106C	ASSY WIRE HARNESS-DISPENSER; AW2-PJT,W/H	SA	1
7-8	3	RF084	DA96-00192D	ASSY-HARNESS MOTOR DISP; All,FREE VOLT,UL	SC	1
8	2	RE277	DA97-07881V	ASSY COVER DISPENSER; GUGGENHEIM,BLACK SM	SA	1
8-1	3		DA61-04367A	PLATE-ICE DUCT L; GUGGENHEIM,HIPS,T1.0,-,	SNA	1
8-2	3	RE159	DA64-02566A	BUTTON-ICE DISPENSER; AW2,ALDC12,42.6*23.	SA	1
8-3	3	RE158	DA64-02567A	BUTTON-WATER DISPENSER; AW2,ALDC12,42.6*2	SA	1
8-4	3	RI147	DA97-02847A	ASSY-LAMP DOOR; EPEL,LED TYPE,-,-	SA	1
8-4-1	4	RE310	DA63-02446A	COVER-LAMP-LED; EPEL,ABS,-,W39.6,L22.6,-,	SA	1
8-4-2	4	RR492	DA41-00217B	ASSY PCB KIT; LED DISPENSER LAMP,E-PEL,17	SA	1
8-4-3	4		DA61-02093A	CASE-LAMP,LED; EPEL,GPPS,-,-,-,NTR,-	SNA	1
8-5	3	RO464	DA63-04361B	COVER-PCB PANEL REAR; GGH,HIPS,NTR,HIPS_S	SA	1
8-6	3	RD305	DA64-02582B	WINDOW-COVER DISPENSER; GUGGENHEIM,ACRYL,	SA	1
8-7	3	RD198	DA64-02596A	DECORATION-FAUCET; GUGGENHEIM,AL,W87.1,L1	SNA	1
8-8	3	RE160	DA63-04482A	GROMMET-BUTTON CONTROL; GUGGENHEIM,SI,W98	SNA	1
8-9	3	RR606	DA41-00522E	ASSY PCB KIT LED; LED DISPLAY,09 GGH-PJT,	SA	1
9	2	RI382	DA97-06478D	ASSY COVER-MICRO SWITCH; GUGGENHEIM,-,-,W	SA	1
9-1	3	RQ615	DA66-00600C	LEVER-PUSH; GUGGENHEIM,SILICON,T0.5,W31.3	SA	1
9-2	3	RG172	DA63-04375D	COVER-MICRO SWITCH; GUGGENHEIM,ABS,-,W86,	SA	1
10	2	RR460	DA97-06194E	ASSY GUARD-FRE MID; GUGGENHEIM,-,-,-,-,-,	SA	3
11	2	RM003	DA97-06568C	ASSY COVER-ICE MAKER; GUGGENHEIM(EXP),COO	SA	1

Exploded Views and Parts List

No.	Lvl.	Loc.	Material Code	Description & Specification	SNA	Qty.
12	2		DA97-06569L	ASSY CASE-ICE BUCKET; GGH,COOL WHITE,IN-D	SA	1
12-1	3	RM051	DA66-00587A	LEVER-BUCKET L; GUGGENHEIM,ABS,29.8,76.7,	SC	1
12-2	3	RM052	DA66-00588A	LEVER-BUCKET R; GUGGENHEIM,ABS,29.8,76.7,	SA	1
12-3	3	RM050	DA64-02587A	WINDOW-BUCKET; GUGGENHEIM,PETG,T90G,NATUR	SA	1
12-4	3	RF104	DA65-00051A	CLAMPER CORE-HELIX; GUGGENHEIM,STS304,-,-	SA	1
12-5	3		DA63-04354C	COVER-CRUSHER BUCKET; GUGGENHEIM,ABS,HB,N	SA	1
12-6	3	RM049	DA61-04378A	SPRING ETC-BUCKET LEVER; GUGGENHEIM,STS30	SA	4
12-7	3	RY482	DA61-02738A	MAGNET-ASS'Y; CORE-PJT,Strontium ferrite,	SA	1
12-8	3	RI381	DA63-04359A	TRAY ICE-BUCKET FRONT; GUGGENHEIM,ABS,-,3	SNA	1
12-9	3		DA63-04360A	TRAY ICE-BUCKET REAR; GUGGENHEIM,ABS,COO	SNA	1
13	2	RF416	DA97-11095A	ASSY CASE-AUGER MOTOR; GUGGENHEIM(EXP),CO	SA	1
13-1	3	RF261	DA31-00079A	MOTOR GEARED-DISP; 15.2/18.2 rpm,50/60Hz,	SA	1
13-2	3	RF434	DA31-00210E	MOTOR GEARED-AUGER; ISG-3245SSB,150kgf.cm	SA	1
13-3	3	RF417	DA61-04363B	CASE-AUGER MOTOR; HM10,GGH,HIPS,COOL WHIT	SC	1
13-4	3	RF185	DA66-00589A	CAM-LEVER CUBE; GUGGENHEIM,POM,T17.9,55	SA	1
13-5	3	RM061	DA97-07549A	ASSY ICE MAKER; GUGGENHEIM,220~240V,50Hz,	SC	1
13-6	3	RI379	DA63-04355A	COVER-HEATER ICE MAKER; GUGGENHEIM,ABS,47	SA	1
13-7	3	RF251	DA63-04362B	COVER MOTOR-AUGER SUB; HM12,HIPS,HB,COOL	SA	1
13-8	3		DA33-10011A	MAGNET; SSM-390,T2,W5,L7,-,	SA	1
13-9	3		DA96-00036P	ASSY WIRE HARNESS-AUGER; SBS,FREE VOLT,UL	SA	1
13-10	3	RY001	DA34-00043C	SWITCH REED; 13mm,UL1007 AWG 22,100,HOOK	SA	1
13-11	3	RY001	DA97-00151B	SWITCH REED; 2.5mm,UL1007 AWG 22,180,-,35	SA	1
14	2	RO489	DA63-04372D	TRAY-DISPENSER; GUGGENHEIM,ABS,-,W239.4,L	SA	1

5. fridge door

Exploded View



Parts List

No.	Lvl.	Loc.	Material Code	Description & Specification	SNA	Qty.
1	2	RE016	DA97-04568P	ASSY-GASKET DOOR REF; GUGGENHEIM,SC-9748	SA	1
2	2	RE312	DA64-02931A	TRIM-CASE HOME BAR OUT; GUGGENHEIM,ABS,-,	SA	1
3	2	RE001	DA91-02736Y	ASSY DOOR FOAM-REF; GGH09_EXP,MANHATTAN S	SA	1
3-1	5	RE439	DA61-04196A	STOPPER-DOOR R; GUGGENHEIM,SHP1,T3.0,-,-,	SA	1
3-2	5	RD203	DA66-00557A	CAM HINGE-RISER UPP R; GUGGENHEIM,NY-66,-	SA	1
3-3	5	RY479	DA61-03769A	MAGNET-A; HERMES,FERRITE,1600Gauss	SA	1
3-4	5	RY001	DA34-00043C	SWITCH REED; 13mm,UL1007 AWG 22,100,HOOK	SA	1
3-5	5	RE484	DA63-04400B	COVER-LATCH REF; GUGGENHEIM-PJT,ABS,-,-,-	SA	1
3-6	5	RE053	DA63-04480A	GASKET-HOME BAR; GUGGENHEIM-PJT,SF-PVC,-,	SA	1
3-7	5	RE195	DA63-04530A	GROMMET-CASE HOME BAR; GUGGENHEIM,SI	SA	1
3-8	5	RQ612	DA97-07117A	ASSY-LATCH; SRT749XWSM,POM,BLK,-,-	SC	1
4	2	RE028	DA97-06178A	ASSY GUARD-DAIRY; GUGGENHEIM,-,-,-,-,-	SA	1
4-1	3	RE390	DA63-04197A	GUARD-DAIRY; GUGGENHEIM,HIPS,-,-,-,COOL-W	SA	1
4-2	3	RE034	DA63-04198A	COVER-DAIRY; GUGGENHEIM,GPPS,-,-,-,-,TR	SA	1
5	2	RE013	DA97-06182A	ASSY CASE-DOOR RECESS REF; GUGGENHEIM,-,-	SA	1
5-1	3	RE271	DA63-00991A	GROMMET-DOOR RECESS; A-TOP,SI,NTR	SA	2
5-2	3	RE336	DA63-04203A	COVER-DOOR RECESS REF; GUGGENHEIM,GPPS,-,	SA	1
6	2	RI140	DA97-07807A	ASSY GUARD-REF MID; GGH09,GPPS	SA	1
7	2	RI161	DA97-06175E	ASSY GUARD-REF LOW; GUGGENHEIM,-,-,-,-,Da	SC	2
8	2	RO140	DA97-06632L	ASSY HANDLE-BAR; GUGGENHEIM,AL,T1.5,REAL	SA	1
8-1	3	RO587	DA61-03636A	STOPPER-HANDLE; CULLINAN,SK5,-,-,-,-,-	SA	4
8-2	3	RO485	DA61-03726A	SUPPORT-HANDLE; HERMES,PA66,-,NTR	SA	4
8-3	3	RO527	DA67-01673G	CAP-SUPT HANDLE; JM,ABS,-,-,-,MANHATTAN P	SA	4
8-4	3	RK011	DA67-02051A	CAP-HANDLE; GUGGENHEIM,ABS,52.0,W31.8,L17	SA	1
8-5	3		DA67-02051B	CAP-HANDLE; GGH,ABS,VICTORY GRAY	SA	1
9	2	RO170	DA97-05529C	ASSY-BRACKET HANDLE; HREMES-PJT,SWCH10A,-	SA	4

No.	Lvl.	Loc.	Material Code	Description & Specification	SNA	Qty.
9-1	3	RO171	DA61-03725B	BRACKET-HANDLE; HERMES,SWCH10A,-,-,L31,-,	SC	4
9-2	3	RJ720	DA63-03840A	GROMMET-HANDLE; HERMES,SI,T1,NTR,DISP, 40	SA	4
10	2	RT096	DA97-06536B	ASSY HOME BAR-REF; GUGGENHEIM-PJT,ABS,-,N	SA	1
10-1	3		DA66-00144B	SHAFT-HINGE HOME BAR; A-TOP,STS303,L43.7,	SNA	1
10-2	3	RQ032	DA97-06850B	ASSY DAMPER-HOME BAR; GUGGENHEIM,-,-,-,EX	SA	1
10-3	3	RE485	DA67-01958A	CAP-DAMPER HOME BAR REF; GUGGENHEIM,ABS,-	SA	1
10-4	3	RY479	DA61-03769A	MAGNET-A; HERMES,FERRITE,1600Gauss	SA	1
10-5	3	RO232	DA66-00564A	SHAFT-DAMPER HOME BAR; GUGGENHEIM,STS304,	SA	1
11	2	RO716	DA64-01985A	MASCOT; SBS,AL,T1.5,L90,Fixing-type,Siver	SC	1
12	2	RE203	DA97-06177C	ASSY GUARD-REF UPP; GUGGENHEIM,-,-,-,-,-,	SC	1
13	2	RI411	DA97-06166C	ASSY GUARD EGG-TILT; GUGGENHEIM	SA	1