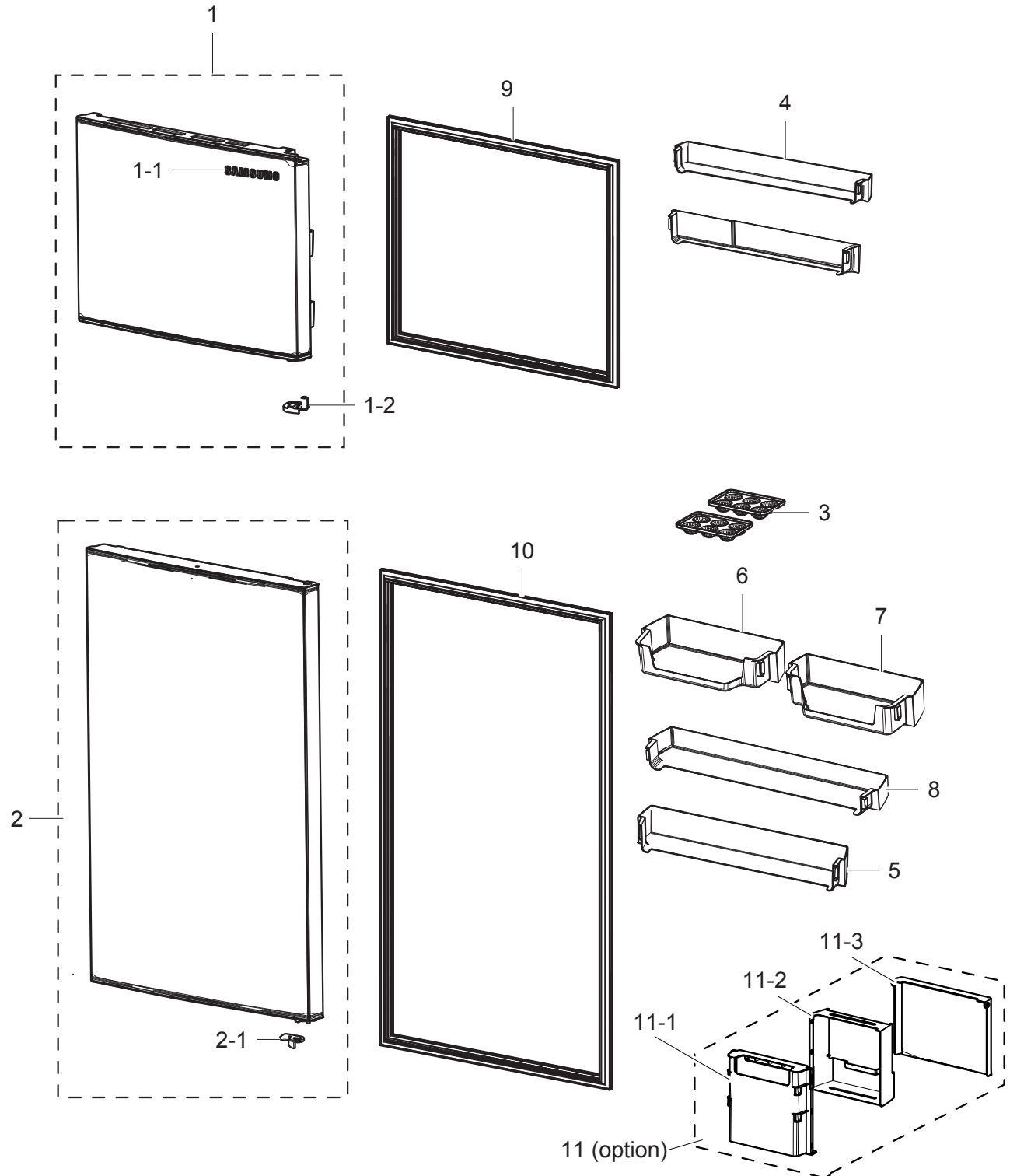


Door compartment



**PART LIST OF DOOR : RT32K5000WW/EF**

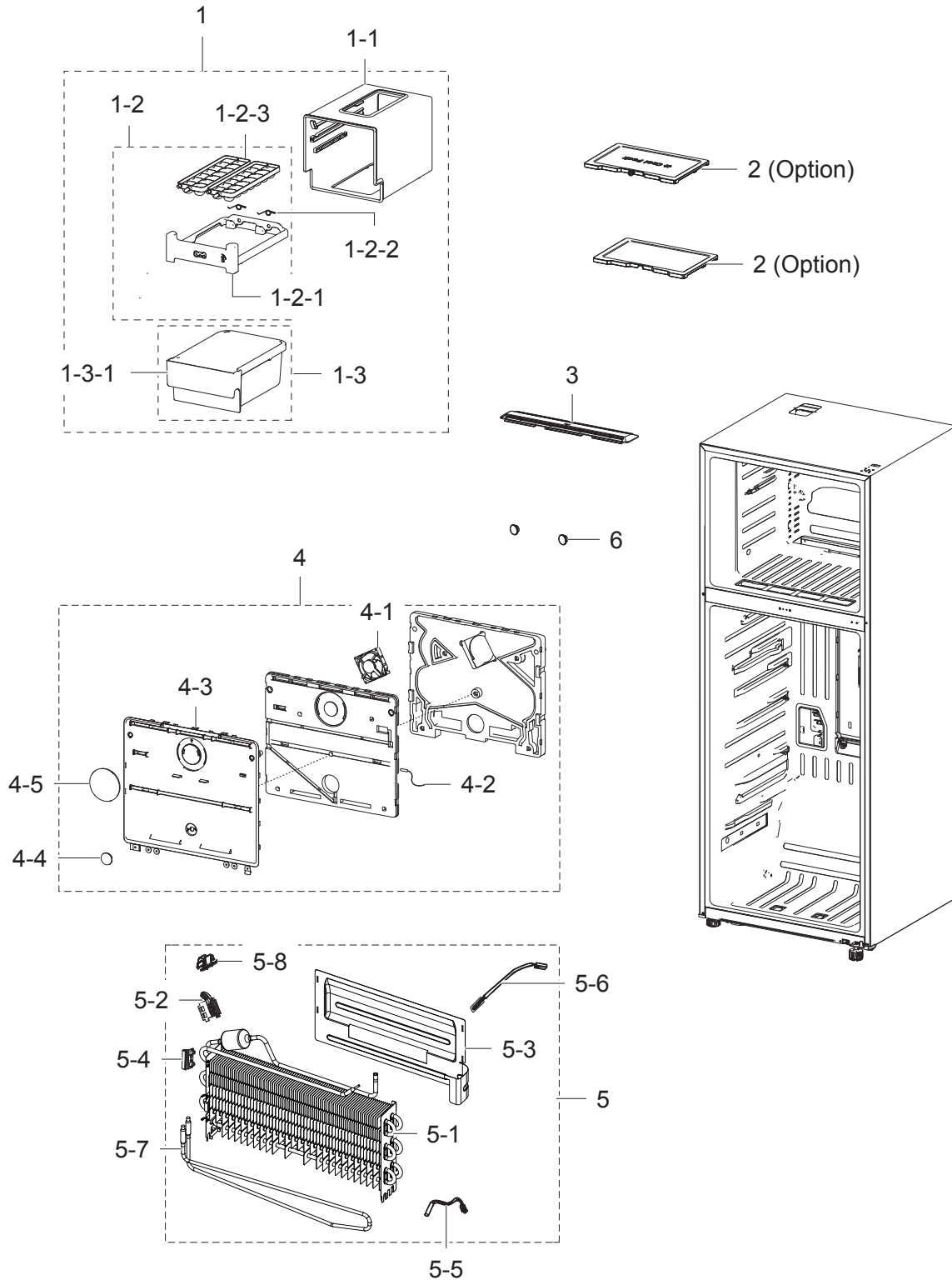
| No. | Code No.    | Lvl. | Loc.  | Description          | Specification                   | Qty | SA/SNA |
|-----|-------------|------|-------|----------------------|---------------------------------|-----|--------|
| 1   | DA91-03959M | 2    | A0051 | ASSY DOOR FOAM FRE   | 320,WW,RECESS                   | 1   | SA     |
| 1-1 | DA64-04020A | 3    | M0196 | MASCOT               | ALL,Ni,T0.06,L80                | 1   | SA     |
| 1-2 | DA66-01008A | 4    | -     | LEVER-AUTO CLOSE FRE | 3050PJ,POM,NTR                  | 1   | SA     |
| 2   | DA91-03958M | 2    | A0052 | ASSY DOOR FOAM REF   | 3050 DOOR REF,320,WW,           | 1   | SA     |
| 2-1 | DA66-01009A | 4    | -     | LEVER-AUTO CLOSE REF | 3050PJ,POM,NATURAL              | 1   | SA     |
| 3   | DA63-07346A | 2    | A0656 | TRAY EGG             | 3050,GPPS,-,HB,TP BLUE,165N,HI- | 2   | SA     |
| 4   | DA63-07342A | 2    | A0711 | GUARD-FRE            | 3050,GPPS,-,TP BLUE             | 2   | SA     |
| 5   | DA63-07345A | 2    | A0151 | GUARD BOTTLE         | 3050,GPPS,T2.5,TP BLUE          | 1   | SA     |
| 6   | DA63-07344A | 2    | A0153 | GUARD VARIETY        | 3050,GPPS,T2.5,TP BLUE          | 2   | SA     |
| 7   | DA63-07344A | 2    | A0153 | GUARD VARIETY        | 3050,GPPS,T2.5,TP BLUE          | 2   | SA     |
| 8   | DA63-07343A | 2    | A0712 | GUARD-EGG            | 3050,GPPS,T3.0,TP BLUE          | 1   | SA     |
| 9   | DA97-13594N | 2    | A0557 | ASSY-GASKET DOOR FRE | RT29/32,3050,GASKET             | 1   | SA     |
| 10  | DA97-13594P | 2    | A0535 | ASSY-GASKET DOOR REF | RT32,3050,GASKET-SE             | 1   | SA     |



SAMSUNG ELECTRONICS

11569467

Freezing compartment



**PART LIST OF FREEZER : RT32K5000WW/EF**

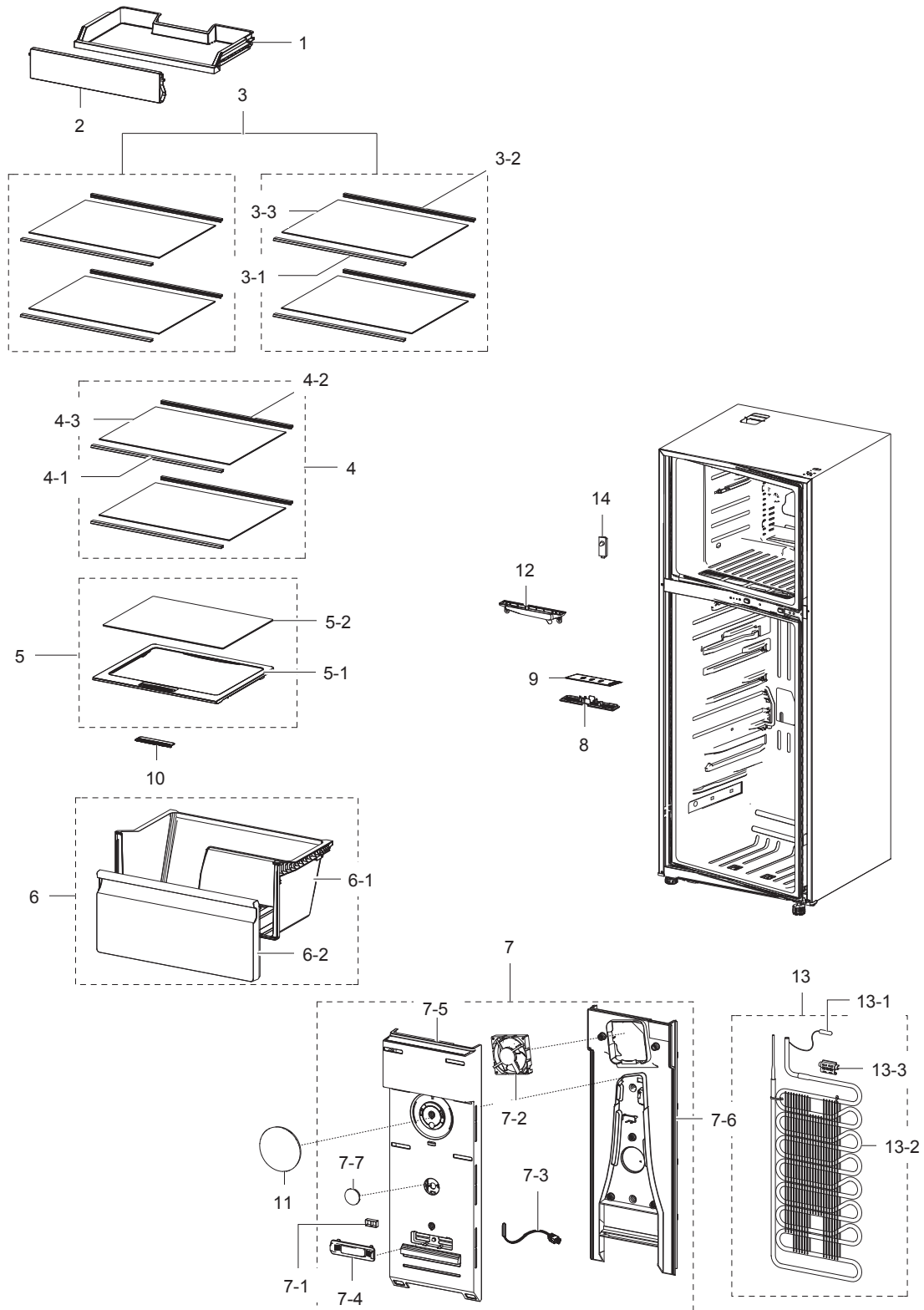
| No.   | Code No.    | Lvl. | Loc.  | Description                 | Specification                  | Qty | SA/SNA |
|-------|-------------|------|-------|-----------------------------|--------------------------------|-----|--------|
| 1     | DA90-09668J | 1    | A0104 | ASSY ICE MAKER              | RT32/29,220V,Tray,Plastic      | 1   | SNA    |
| 1-2-3 | DA63-01883B | 2    | A0582 | TRAY-ICE                    | TS1-PJT,PP,-,-,-,-,NATURAL,-   | 1   | SA     |
| 2     | DA67-03653A | 2    | M0019 | SHELF FRE                   | RT32/29,GPPS,TP BLUE           | 1   | SNA    |
| 3     | DA63-07332A | 2    | A0756 | COVER-AIR FRE               | RT32/29/25/22,PP,T1.5,COOL     | 1   | SA     |
| 4     | DA97-16251B | 2    | M0303 | ASSY COVER EVAP-FRE         | RT5000K 29/32,NO DIS           | 1   | SA     |
| 4-1   | DA31-00338A | 3    | -     | MOTOR BLDC FAN              | U92C12MS1B3-52K091,3350±7      | 1   | SA     |
| 4-2   | DA32-10105F | 2    | A1018 | SENSOR TEMP                 | 502AT,PX-41C,DKST1329GW,ACE,   | 1   | SA     |
| 4-3   | DA63-08321B | 3    | -     | COVER EVAP-FRE              | RT5000K 29/32,PP,HB,COOL       | 1   | SNA    |
| 4-4   | DA64-04412A | 3    | A0760 | KNOB-DIAL                   | 3050,HIPS,2.0,COOL WHITE,TMF   | 1   | SA     |
| 4-5   | DA99-04209A | 3    | -     | ASSY ACCESSORY-TWIN COOLING | RT7000K                        | 1   | SA     |
| 5     | DA96-01007G | 2    | A0163 | ASSY EVAP-FRE               | RT5000K,Fin Tube,220V          | 1   | SNA    |
| 5-1   | DA59-00553A | 3    | A0742 | EVAP FRE                    | FIN TUBE,AL,3050-PJT           | 1   | SNA    |
| 5-2   | DA61-00603A | 3    | T0066 | FIXER SENSOR                | n-PJT,PP,T2.0,NATURAL,HB,BJ    | 1   | SA     |
| 5-3   | DA61-09103C | 3    | -     | PLATE EVAP-FRE REAR         | RT22,Al,TO.3,A3003-H           | 1   | SNA    |
| 5-4   | DA61-07411A | 3    | A0744 | FIXER-FUSE                  | NW2,PP,NATURAL,BJ750           | 1   | SA     |
| 5-5   | DA32-10105F | 2    | A1018 | SENSOR TEMP                 | 502AT,PX-41C,DKST1329GW,ACE,   | 1   | SA     |
| 5-6   | DA47-00301D | 3    | A1008 | THERMO FUSE-ASSY            | AC250V,10A,109~110℃,S.O        | 1   | SA     |
| 5-7   | DA47-00460D | 3    | A0921 | HEATER METAL SHEATH         | AC230V,3050 TMF, 406           | 1   | SA     |
| 5-8   | DA61-07410A | 3    | G0205 | FIXER-HEATER FRE            | NW2,PP,NATURAL,BJ750           | 2   | SA     |
| 6     | DA67-30266K | 2    | -     | CAP SCREW                   | A-TOP,PP,T1.5,HB,BJ750,COOL WH | 3   | SA     |



SAMSUNG ELECTRONICS

11569467

Fridge compartment

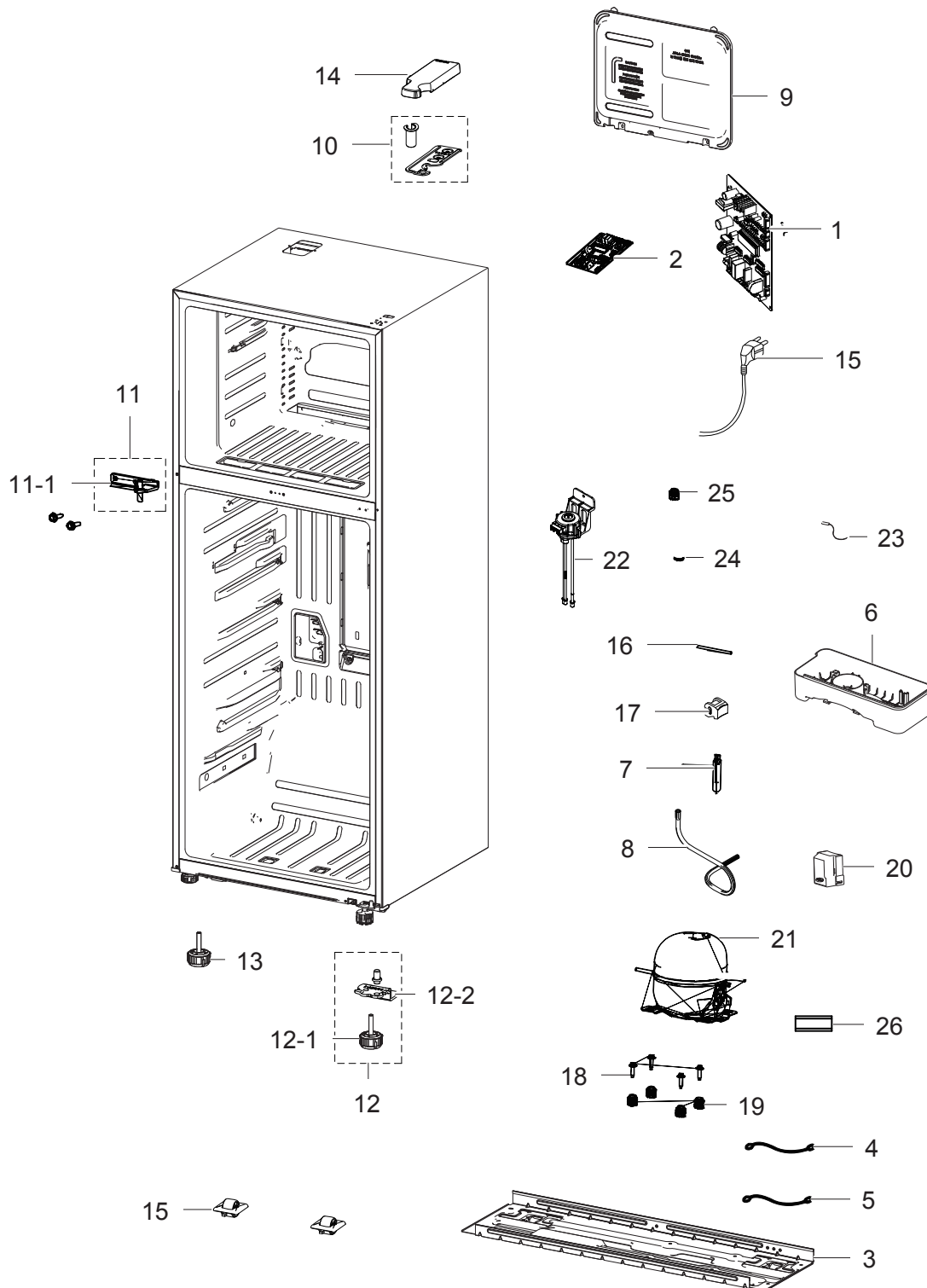


**PART LIST OF FRIDGE : RT32K5000WW/EF**

| No.  | Code No.    | Lvl. | Loc.  | Specification               | Qty                           | SA/SNA |
|------|-------------|------|-------|-----------------------------|-------------------------------|--------|
| 1    | DA63-08329A | 2    | -     | TRAY CHILLED ROOM           | RT32,GPPS,T2.5,HB,TP B        | 1 SA   |
| 2    | DA63-07360C | 2    | -     | COVER TRAY-CHILLED          | RT32/29,GPPS,T2.5,HB,         | 1 SNA  |
| 3    | DA97-16288A | 2    | -     | ASSY SHELF GLASS-REF        | RT5000_32/29                  | 2 SA   |
| 3-1  | DA64-04392A | 3    | -     | TRIM SHELF-FRONT            | RT320,HIPS,S834S1,COOL        | 2 SNA  |
| 3-2  | DA64-04395A | 3    | -     | TRIM SHELF-REAR             | RT320,HIPS,S834S1,COOL W      | 2 SNA  |
| 3-3  | DA64-04994A | 3    | -     | GLASS-SHELF REF             | RT5000_32/29,GLASS,T3.2,      | 2 SNA  |
| 4    | DA97-16288A | 2    | -     | ASSY SHELF GLASS-REF        | RT5000_32/29                  | 2 SA   |
| 4-1  | DA64-04392A | 3    | -     | TRIM SHELF-FRONT            | RT320,HIPS,S834S1,COOL        | 2 SNA  |
| 4-2  | DA64-04395A | 3    | -     | TRIM SHELF-REAR             | RT320,HIPS,S834S1,COOL W      | 2 SNA  |
| 4-3  | DA64-04994A | 3    | -     | GLASS-SHELF REF             | RT5000_32/29,GLASS,T3.2,      | 2 SNA  |
| 5    | DA97-13460F | 2    | A0181 | ASSY COVER VEG              | RT5000K                       | 1 SA   |
| 5-1  | DA63-07361A | 3    | A0210 | COVER VEG                   | 3050,HIPS,T2.5,-,COOL WHITE   | 1 SNA  |
| 5-2  | DA67-03645G | 3    | -     | GLASS-COVER VEG             | RT320/290,GLASS,TEMPERED      | 1 SNA  |
| 6    | DA97-13457A | 2    | M0236 | ASSY CASE-VEG LOW           | 3050(RT320),T2.5,COOL         | 1 SA   |
| 6-1  | DA61-08918A | 3    | M0268 | CASE-VEG LOW                | 3050,PP,T2.5,COOL WHITE       | 1 SNA  |
| 6-2  | DA63-07340A | 3    | -     | COVER-VEG LOW FRONT         | 3050(RT320),GPPS,T0.          | 1 SNA  |
| 7    | DA97-16248C | 2    | Z1177 | ASSY COVER EVAP-REF         | RT5000K 29/32/35/38,          | 1 SA   |
| 7-1  | DA02-00216B | 3    | -     | CATALYST-DEODORIZER         | T10,W15,L30,activate          | 1 SA   |
| 7-2  | DA31-00338A | 3    | -     | MOTOR BLDC FAN              | U92C12MS1B3-52K091,3350±7     | 1 SA   |
| 7-3  | DA32-10105F | 2    | A1018 | SENSOR TEMP                 | 502AT,PX-41C,DKST1329GW,ACE,  | 1 SA   |
| 7-4  | DA63-07423A | 3    | -     | COVER-DEODORIZER            | 3050,PP,-,COOL WHITE,BJ       | 1 SNA  |
| 7-5  | DA63-08322B | 3    | -     | COVER EVAP-REF A            | RT5000K 29/32/35/38,PP,       | 1 SNA  |
| 7-6  | DA63-08323A | 3    | -     | COVER EVAP-REF B            | RT5000K 29/32/35/38,PP,       | 1 SNA  |
| 7-7  | DA64-04412A | 3    | A0760 | KNOB-DIAL                   | 3050,HIPS,2.0,COOL WHITE,TMF  | 1 SA   |
| 8    | DA63-07368A | 2    | A0490 | COVER-LAMP                  | 3050,GPPS,T2.0,TP BLUE,G116HV | 1 SA   |
| 9    | DA41-00519R | 2    | G0090 | ASSY LAMP LED               | 3ea,CEM-1,65*10,WHITE,SMAW    | 1 SA   |
| 10   | DA63-07341B | 3    | -     | COVER SHEET                 | 3050-PJT,HIPS,COOL WHITE,S83  | 1 SA   |
| 11   | DA99-04209A | 3    | -     | ASSY ACCESSORY-TWIN COOLING | RT7000K                       | 1 SA   |
| 12   | DA61-10876A | 2    | -     | PLATE DRAIN-REF             | RT7000K,HIPS,T1.5,NATURA      | 1 SA   |
| 13   | DA96-01156A | 2    | A0184 | ASSY EVAP-REF               | RT5000K,STEEL WIRE            | 1 SA   |
| 13-1 | DA32-10105F | 2    | A1018 | SENSOR TEMP                 | 502AT,PX-41C,DKST1329GW,ACE,  | 1 SA   |
| 13-2 | DA59-00580A | 3    | -     | EVAPORATOR-REF              | Fin Tube,RT5000K              | 1 SNA  |
| 13-3 | DA61-07408A | 3    | -     | FIXER-SENSOR                | NW2,PP,NATURAL,M1600          | 1 SNA  |
| 14   | DA34-10121C | 2    | M0379 | SWITCH DOOR                 | AC125V/250V,1.5/0.75,1BUTTON  | 1 SA   |

11569467

**Cabinet compartment**



PART LIST OF CABINET : RT32K5000WW/EF

| No.  | Code No.       | Lvl. | Loc.  | Description             | Specification                     | Qty | SA/SNA |
|------|----------------|------|-------|-------------------------|-----------------------------------|-----|--------|
| 1    | DA92-00756K    | 1    | A0952 | ASSY PCB MAIN           | TWIN COOLING,RT5000K,160*1        | 1   | SA     |
| 2    | DA92-00459E    | 1    | -     | ASSY PCB INVERTER       | INVERTER,3050,148*98.5            | 1   | SA     |
| 3    | DA97-13450A    | 2    | A0526 | ASSY CHASSIS COMP       | 3050-PJT,T0.8,RT32                | 1   | SA     |
| 4    | DA39-20389A    | 2    | A0562 | ASSY WIRE HARNESS-EARTH | ALL,FREE VOLT,UL                  | 2   | SA     |
| 5    | DA39-20389A    | 2    | A0562 | ASSY WIRE HARNESS-EARTH | ALL,FREE VOLT,UL                  | 2   | SA     |
| 6    | DA97-16550A    | 2    | A0529 | ASSY TRAY DRAIN WATER   | RT6000K                           | 1   | SA     |
| 7    | DA62-04309A    | 2    | A0669 | DRYER                   | C1220T-H,137,SINGLE MOUTH,15.8,9g | 1   | SA     |
| 8    | DA62-04154A    | 2    | M0016 | PIPE CONNECT-SUCTION    | 3050-PJT,Cu,OD6.35,               | 1   | SA     |
| 9    | DA97-13545F    | 2    | -     | ASSY COVER PCB-PANEL    | RT29/32/35/38,TWIN                | 1   | SNA    |
| 10   | DA97-13613A    | 2    | A0705 | ASSY HINGE UPP          | 3050PJ,T2.0,320/290/250/2         | 1   | SA     |
| 11   | DA97-13614A    | 2    | A0513 | ASSY HINGE MID          | 3050PJ,T3.2,320/290/250/2         | 1   | SA     |
| 11-1 | DA61-08926A    | 3    | A0831 | HINGE-MID               | 3050PJ,PO-SPHC,T3.2               | 1   | SNA    |
| 12   | DA97-14264A    | 2    | M0344 | ASSY HINGE-LOW          | 3050PJ,320/290/250/220            | 1   | SA     |
| 12-1 | DA61-00805E    | 3    | A0577 | FOOT-FRONT              | ARAM-PJT,PP,BLACK                 | 1   | SA     |
| 12-2 | DA61-08927A    | 3    | A0247 | HINGE-LOW               | 3050PJ,PO-SPHC,T4.0               | 1   | SNA    |
| 13   | DA61-00805E    | 3    | A0577 | FOOT-FRONT              | ARAM-PJT,PP,BLACK                 | 1   | SA     |
| 14   | DA63-07349B    | 2    | M0360 | COVER-HINGE UPP         | 3050PJ,PP,T1.5,SNOW WHIT          | 1   | SA     |
| 15   | 3903-001011    | 2    | A0273 | CBF-POWER CORD          | AT,EU,EU3F,3C,250V,16A,BI         | 1   | SA     |
| 16   | DA73-00199B    | 2    | Z1004 | PIPE-PIPE CONNECT       | -,C1220T,-,OD6.35,L95,            | 1   | SA     |
| 17   | DA97-16549A    | 3    | -     | ASSY PIPE IMMERSING     | RT6000K,-                         | 1   | SA     |
| 18   | 6011-001546    | 2    | A0564 | BOLT-HEX                | M5(PO.8),L16,ZPC(WHT),SWRCH18A,   | 4   | SA     |
| 19   | DA63-02617A    | 3    | Z1112 | GROMMET COMP            | USP05,EPDM,OD27.0,BLACK           | 4   | SA     |
| 20   | DA63-06122A    | 3    | Z1032 | COVER RELAY             | MSV,MPP0,T2.0,5V-A,BLACK,M-H      | 1   | SA     |
| 21   | MSV488AL1R/TT3 | 2    | -     | CMP,REFRIGERATOR,R-600A | 0                                 | 1   | -      |
| 22   | DA62-04678A    | 2    | -     | VALVE STEP              | DC12V,MODULE,2WAY,STRAIGHT/ST     | 1   | SA     |
| 23   | DA32-10105F    | 2    | A1018 | SENSOR TEMP             | 502AT,PX-41C,DKST1329GW,ACE,      | 1   | SA     |
| 24   | DA63-08036A    | 3    | -     | GROMMET-LOW             | 3050-1,2,NBR,BLACK                | 2   | SA     |
| 25   | DA63-02325A    | 3    | -     | GROMMET-STEP-VALVE-UP   | HNR2213/15/17/20,N                | 1   | SA     |
| 26   | DA62-00960A    | 2    | -     | SEAL CUTT-RUBBER        | RUBBER,BLACK,T3,W40,L70           | 2   | SA     |

11569467