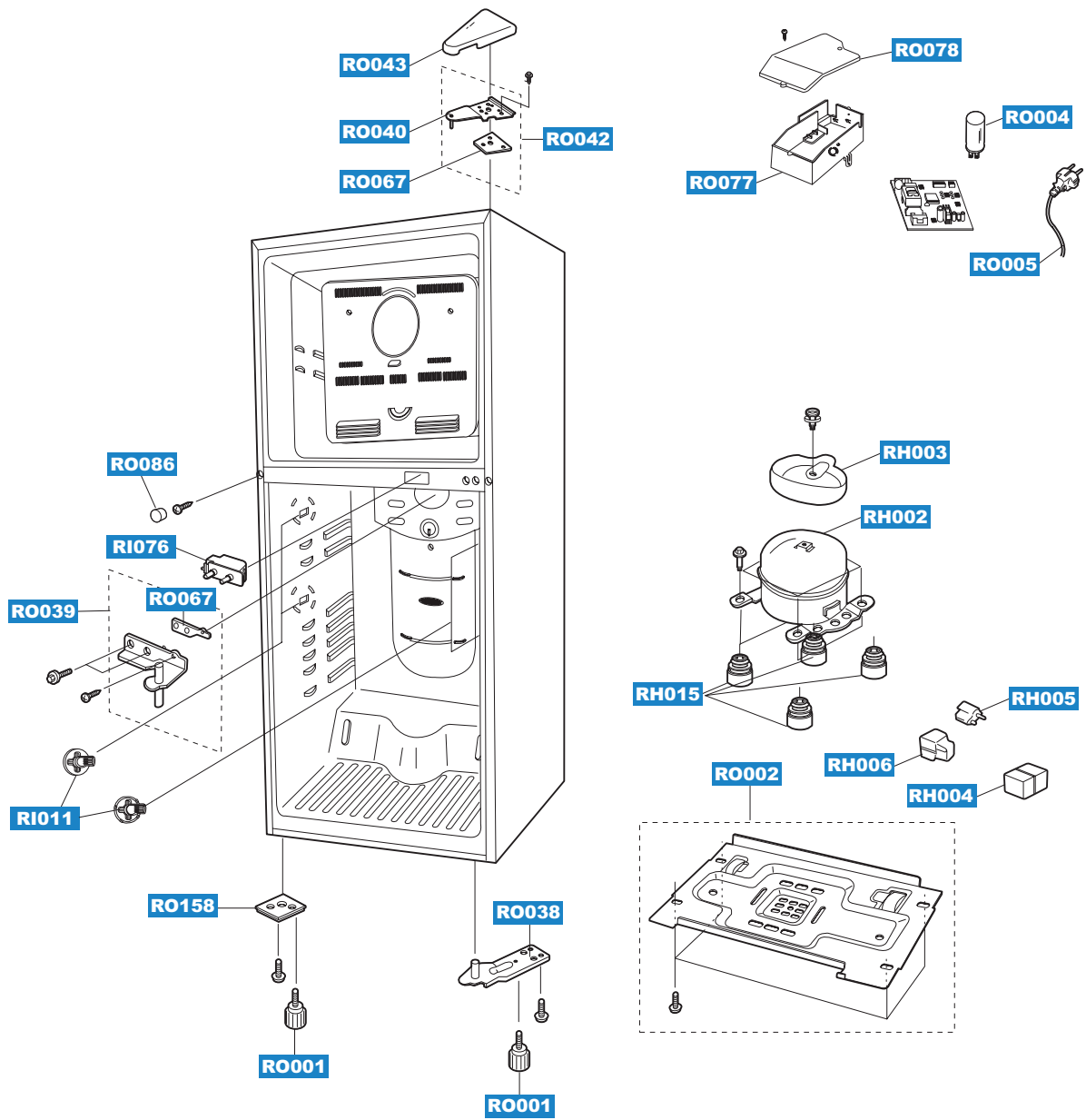
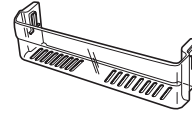
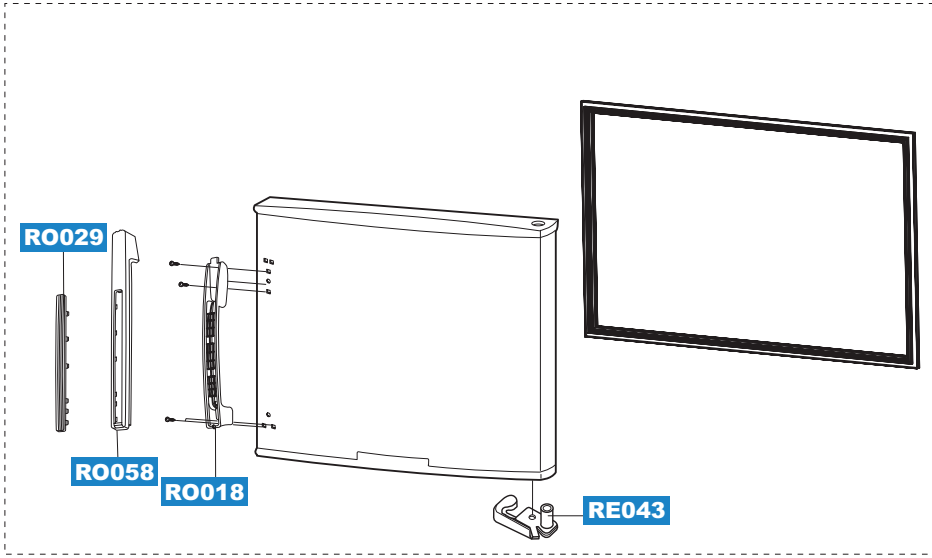


New-T3 Mechanical Unit (RT40/44MA-TE-Semi Electric)

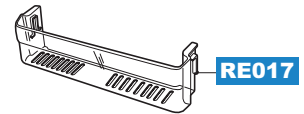
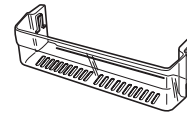
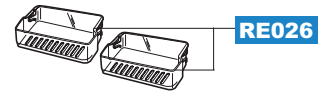
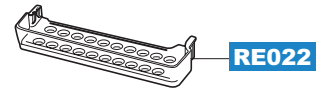
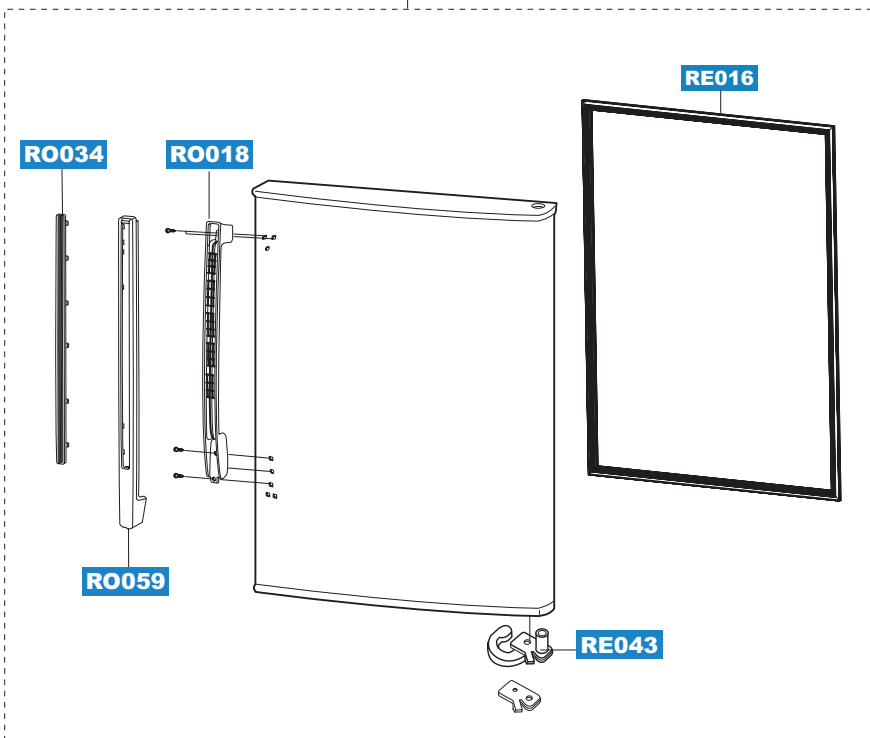


New-T3 Mechanical Door (RT40/44MA-TE-Semi Electric)

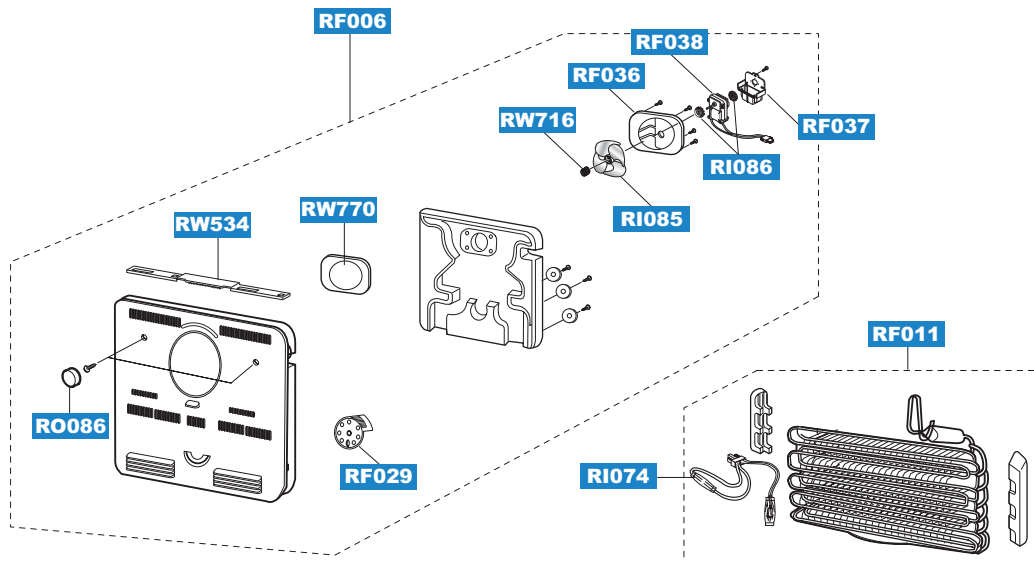
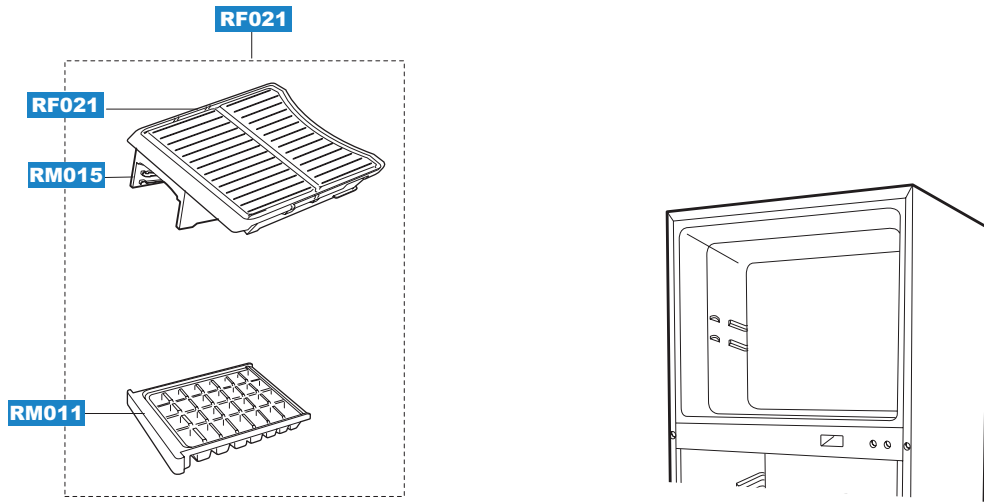
RD001



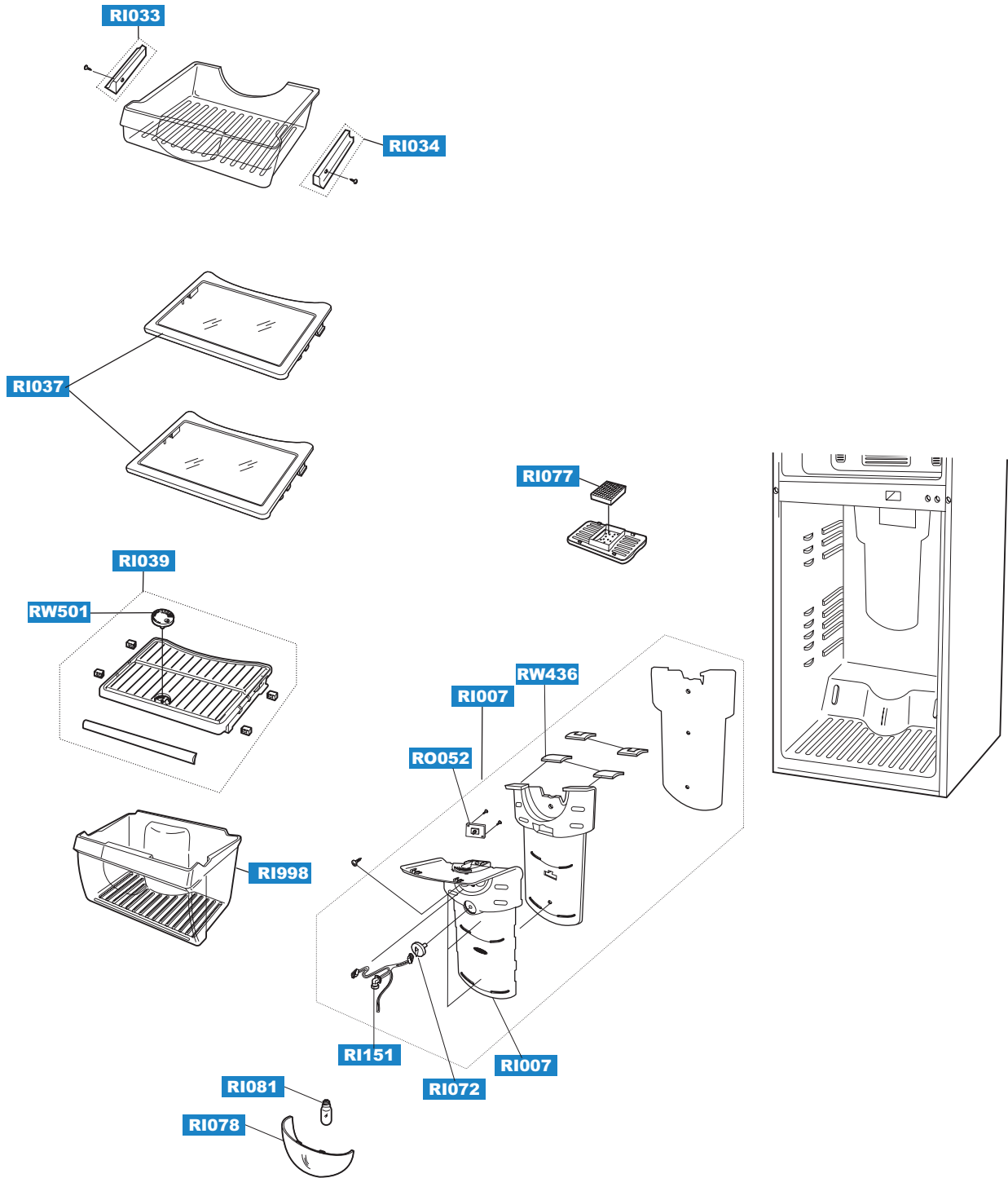
RE001



New-T3 Mechanical Freezer Room (RT40/44MA-TE-Semi Electric)



New-T3 Mechanical Refrigerator Room (RT40/44MA-TE-Semi Electric)



◇Part List

(Model Code : RT40/44MA-TE1(Semi Electric))

Location	Part Code	Part Name	Specification	SA/SNA
RD001	DA90-01693A	ASSY DOOR FRE	380,-,C/STEEL+SECC,SNOW WH	SA
RD013	DA63-00117M	GUARD FRE-BOTTLE	RT40,44,GPPS(HF-2660),-	SA
RE001	DA90-01679A	ASSY DOOR REF	380,C/STEEL+SECC,SNOW WHIT	SA
RE017	DA63-00116G	GUARD BOTTLE	RT40,44,GPPS(HF-2660),-,-,-	SA
RE022	DA63-01707A	GUARD EGG	SR-40/44,GPPS,-,-,-,-,-	SA
RE026	DA63-00113G	GUARD VARIETY	RT40,44,GPPS(HF-2660),-,-,	SA
RE037	DA64-00989A	MASCOT	ALL MODELS,AL,-,-,-,-,3 PIN	SA
RE043	DA61-00545A	STOPPER DOOR-LOW(R)	T3(VH)-PJT,POM,-,-,-	SA
RE043	DA61-00566B	STOPPER DOOR-A	T3-PJT,POM,-,-,-,NATURAL,	SA
RE043	DA61-00602A	STOPPER-MID	OMEGA,STS304,-,-,-,-,-	SA
RE043	DA71-40137A	STOPPER-DOOR	SR-5765,SCP1,T2.0,-,-,-,-	SA
RF006	DA63-01649B	COVER EVAP-FRONT	T3-PJT,PP,-,-,-,-,-,SC-	SA
RF006	DA97-01379C	ASSY COVER EVAP-FRONT	T3-PJT,ABS,-,-,-,-,-	SA
RF011	DA96-00095H	ASSY EVAP	RT-40,44,PIN CROSS,AL,-,230V,-	SA
RF021	DA67-00129A	SHELF-FRE	T3-40,44,GPPS(HF-2660),-,-,-,T	SA
RF021	DA97-01959A	ASSY-SHELF,FRE	T3-PJT(40,44),FRE,SC-0274	SA
RF029	DA64-00922B	KNOB-TEMP CONT,FRE	T3-PJT,ABS,-,-,-,-,-,SC	SA
RF036	DA61-01226A	CASE-MOTOR	T3-2ND,ABS,-,-,-,-,-,-	SA
RF037	DA63-10364A	COVER-MOTOR	SR-32/36EXP,PP,-,-,-,-,-,-	SA
RF038	DA31-00003S	MOTOR FAN	IS27210SNC7B,-,-,50/ 60HZ,9/ 8	SA
RF125	DA60-40104J	WASHER	-,PI 4.2,-,T0.8,T3-PJT,-,-,STS	SA
RH002	MK172QL2U/E01	COMPRESSOR	7.21CC,220/240V~50HZ,RSCR	SA
RH003	DA66-00031C	TRAY DRAIN-WATER	T3-PJT(2ND),S.S,SCP2,0.	SA
RH004	DA63-01866A	COVER RELAY	-,NORYL,T2.0,-,-,-,-,SSEC,BLAC	SA
RH005	DA34-10003K	RELAY PROTECTOR O/L	4TM232SHBY-53,-,-,ST7	SA
RH006	DA35-10013B	RELAY PTC	J531Q35E330M385-2,385V.6A,#250	SA
RH011	DA61-40126B	CASTER-REAR	REF-ALL,PP,-,-,PI 44,NTR,W22,-	SA
RH012	DA60-90101A	RIVET-CASTER	MSWR10,-,-,-,ZPC2,-	SA
RH014	DA62-01514A	DRYER	REF-ALL,C1220T,OD18.70,L114,-,	SA
RH015	DA63-02017A	GROMMET COMP	QUEEN,EPDM,-,-,-,-,-,BLACK,	SA
RH020	DA61-01797A	FIXER GROMMET-DOOR	T3-PJT,ABS,-,-,SC-02740	SA
RH026	DA73-10190U	PIPE-CONNECT DISC,B	TD-PJT,C1220-T,-,6.3	SA
RH032	DA39-20389L	WIRE HARNESS-EARTH	TMF/LMF,-,-,-,-,-,AWG	SA
RH033	DA63-40171B	GROMMET-SUCT PIPE A	-,NBR,OD20,ID4,L20,-	SA
RH034	DA63-40171D	GROMMET-SUCT PIPE B	RAIL L19.5,NR,-,OD20	SA
RH044	6011-001656	BOLT-HEX	HWH,M6,L16,ZPC(WHT),SWRCH18A,M	SA
RI007	DA97-01450C	ASSY COVER DAMPER	T3-PJT,SEMI,-,-,-,-,-,-	SA
RI011	DA63-01576A	COVER-COOL,R	T3-2nd,ABS,,,,,,,,,	SA
RI011	DA63-01577A	COVER-COOL,L	T3-2nd,ABS,,,,,,,,,	SA
RI033	DA61-60179B	RAIL-LOW L(ET)	ET-PJT,HIPS,-,-,-,-,COOL-WH	SA
RI033	DA97-01247B	ASSY RAIL-LOW L(ET)	ET-PJT,Cool-white,SC	SA
RI034	DA61-60180B	RAIL-LOW R(ET)	ET-PJT,HIPS,-,-,-,-,COOL-WH	SA
RI034	DA97-01248B	ASSY RAIL-LOW R(ET)	ET-PJT,Cool-white,SC	SA
RI035	DA61-00010C	RAIL-CHILLED,L	T3-PJT,ABS,-,-,-,-,SC-02740	SA
RI036	DA61-00011C	RAIL-CHILLED,R	T3-PJT,ABS,-,-,-,-,SC-02740	SA
RI037	DA97-01955C	ASSY-SHELF REF	RT40/44,RAIL,SC-02740R,-	SA
RI037	DA97-01955D	ASSY-SHELF REF	RT40/44,-,SC-02740R,-	SA
RI039	DA67-00490B	ASSY SHELF REF-LOW, ASSY	RT-40,44,-	SA
RI072	DA64-00069B	KNOB-TEMP CONTROL,REF	T3-PJT,ABS,-,-,-,-,-	SA
RI074	DA47-00095G	THERMO FUSE-ASSY	T3-PJT,-,250V,-,70-5,-,	SA
RI074	DA47-10162C	THERMO FUSE-ASSY	-,-,250V,-,72#,-,-,-,-,	SA
RI076	DA34-00006C	SWITCH DOOR	-,2 BUTTON,PE-PC-PBT,-,125/	SA
RI078	DA63-00023D	COVER LAMP-REF	T3-PJT(25,28,31),GPPS,-,-,-	SA
RI079	DA64-01565A	TRIM SHELF-REF	RT40/44,ABS,-,-,-,-,GLASS	SA
RI081	4713-000213	LAMP-INCANDESCENT	240V,70mA,15W,TRP,75LM	SA

◇Part List

(Model Code : RT40/44MA-TE1(Semi Electric))

Location	Part Code	Part Name	Specification	SA/SNA
RI085	DA31-00019A	FAN-PROPELLER	-,SR-32,35,NTR,-,-,-,-,-	SA
RI086	DA63-40119A	GROMMET-MOTOR	-,NBR,-,-,-,-,-,-,BLK	SA
RI139	DA32-10109M	SENSOR TEMP	502AT,T3-2ND,-10~35,5V,1000	SA
RI151	DA47-40120R	LAMP HOLDER-ASSY	E14,250V,1A,-,-,-,PBT,SEN	SA
RI998	DA67-00125H	CASE-VEG	RT40,44,GPPS,-,-,-,MILD BLUE(P	SA
RM011	DA63-02177A	TRAY-ICE	T3-PJT,PP,-,-,-,-,SC-02740R,-	SA
RM015	DA61-00001B	SUPPORT-TRAY ICE	T3-PJT,PP(BJ-730),-,-,-	SA
RO001	DA61-01051B	FOOT-FRONT	T3,OMEGA,W2,PP,-,-,SC-93437R,-	SA
RO002	DA97-00865B	ASSY-CHASSIS COMP	T3-PJT,SHBG1,T1.0,-,-,-	SA
RO004	2501-001186	C-OIL	5uF,400V,BK,43x55mm,15mm	SA
RO005	DA39-10115D	CBF-POWER CORD	UCP-2,250V,10/16A,L2100,-	SA
RO018	DA64-00942A	HANDLE BASE-FRE	T3-2ND,ABS,-,-,-,-,-,ABS	SA
RO018	DA64-00943A	HANDLE BASE-REF	T3-2ND,ABS,-,-,-,-,-,ABS	SA
RO029	DA64-00946A	HANDLE TRIM-FRE	T3-2ND,ABS,-,-,-,-,-,ABS	SA
RO034	DA64-00947A	HANDLE TRIM-REF	T3-2ND,ABS,-,-,-,-,-,ABS	SA
RO038	DA61-00543B	HINGE-LOW(R)	T3-PJT,SHP1,T3.0,-,-,-,ZPC3(Y	SA
RO039	DA61-10214E	HINGE-MID	V2-PJT,SHP1,-,-,-,-,-,-	SA
RO039	DA97-02377B	ASSY HINGE MID	RT-40,44,-,-,-,-,-,-	SA
RO040	DA61-00003A	HINGE-UPPER	T3-PJT,SCP1,T2.3,-,-,-,ZPC3(YE	SA
RO042	DA61-00014B	HINGE-UPPER ASSY	T3-PJT,SCP1,T2.3,-,-,-,ZP	SA
RO043	DA63-00017A	COVER-HINGE UPP	T3-PJT,PP,T1.5,-,-,-,-,SC-	SA
RO052	DA41-00012B	PBA PANEL	THERMO,T3-PJT,CABI,FR-1,T1.6*6	SA
RO058	DA64-00944A	HANDLE-CAP,FRE	T3-2ND,ABS,-,-,-,-,-,ABS(SA
RO058	DA97-01447A	ASSY CAP HANDLE-FRE	RT40,44,ABS(HG-0760H	SA
RO059	DA64-00945A	HANDLE-CAP,REF	T3-2ND,ABS,-,-,-,-,-,ABS(SA
RO059	DA97-01448A	ASSY CAP HANDLE-REF	RT40,44,ABS(HG-0760H	SA
RO067	DA63-00088A	SHIM-HINGE UPP	-,RD-PVC,T1.0,-,-,-,-,-	SA
RO077	DA67-00089B	CASE-JUNCTION	,`ABS,-,-,-,-,-,UL	SA
RO078	DA63-00098A	COVER-CASE JUNCTION	T3-PJT,ABS,T=2.7,-,-,-	SA
RO086	DA67-30218R	CAP-SCREW	-,PP,-,-,-,-,SC-97527R,SNOW WHIT	SA
RO086	DA67-30266K	CAP-SCREW	A-TOP,PP,SC-02740R,-,-,-,Cool-wh	SA
RO108	6001-000034	SCREW-MACHINE	TH,+,-,M4,L12,ZPC(WHT),SWR	SA
RO108	6001-000715	SCREW-MACHINE	TH,+,-,M5,L16,ZPC(WHT),SWR	SA
RO173	DA60-00003A	SCREW-TAP,PH	T3-PJT,-,-,4X10,PH,-,+,-,TAPP	SA
RS016	DA60-00018A	SCREW MACHINE	TH+,-,-,-,-,PASS,STS304,-	SA
RS047	6002-000213	SCREW-TAPPING	TH,+,-,1,M4,L12,ZPC(WHT),S	SA
RS073	6006-001083	SCREW-TAPPING	TH,+,-,PW,-,M4,L16,ZPC(WHT),	SA
RS080	6002-000217	SCREW-TAPPING	TH,+,-,1,M4,L8,ZPC(WHT),SW	SA
RS080	6002-000458	SCREW-TAPPING	FH,+,-,2,M4.0,L14,PASS,STS	SA
RS080	6002-000470	SCREW-TAPPING	TH,+,-,1,M4,L10,ZPC(WHT),S	SA
RS080	6006-001170	SCREW-TAPPING	TH,+,-,WT,TC,M4,L10,ZPC(WHT)	SA
RS103	DA32-10105P	SENSOR TEMP	502AT,T3-2ND,-10~35,5V,5KOHM	SA
RS105	DA32-10109J	SENSOR TEMP	502AT,T3-PJT,-10~35,5V,1000	SA
RW046	DA97-00713C	ASSY-THERMO GUIDE	XEF,THERMO,COOL WHITE,	SA
RW074	DA60-20008A	BOLT-HEX	-,S25C,M6,-,-,L42.6,WHITE,-,ZP	SA
RW150	DA67-30114B	CAP-DRAIN	-,NR,-,-,-,-,-,-	SA
RW436	DA71-00018A	GUIDE-AIR	-,RD-PVC(SCRAP),T1.5,-,-,-,NTR,-	SA
RW501	DA64-00004D	KNOB CONTROL-MOISTURE	RT-40,44,PP,-,-,-,-,-	SA
RW534	DA66-00238A	LEVER-AIR CONTROL	T3-2ND,ABS,-,-,-,-,-,-	SA
RW664	DA60-10004A	SCREW-HEX	HWH,-,-,M6,L16,ZPC(WHT),SWRCH1	SA
RW770	DA61-01225A	SUPPORT-MOTOR	T3-2ND,ABS,-,-,-,-,-,-	SA
RW918	DA60-40106A	WASHER-PLAIN	-,ID11.5,OD16,T0.5,-,-,-,-,ST	SA
RW961	DA63-40294A	GROMMET-STOPPER	T3XW8XL8,NR,-,-,-,-,-,-	SA
RZ020	DA73-10190V	PIPE-CONNECT DISC,A	TD-PJT,C1220T 1/2H,-	SA
	DA67-00026F	ASSY TRAY-D/WATER	T3-2'ND,COMBI,MAX3,-,-,-	SA