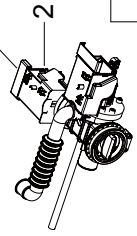
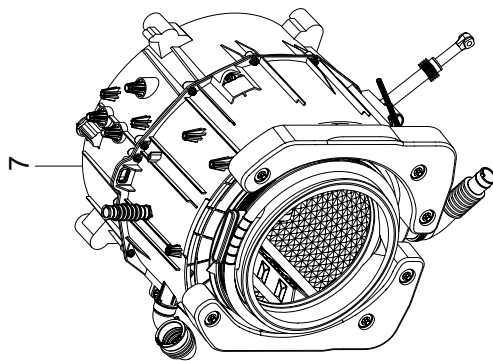
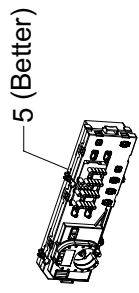
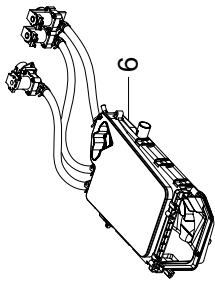
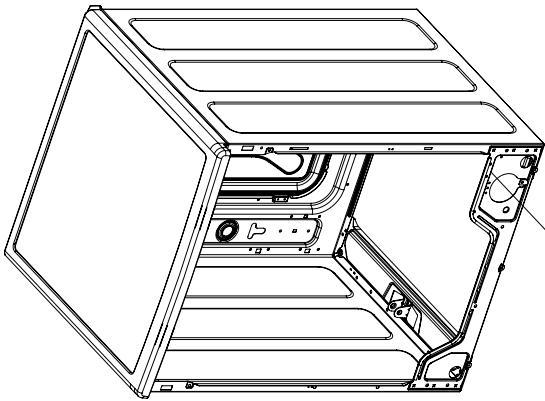
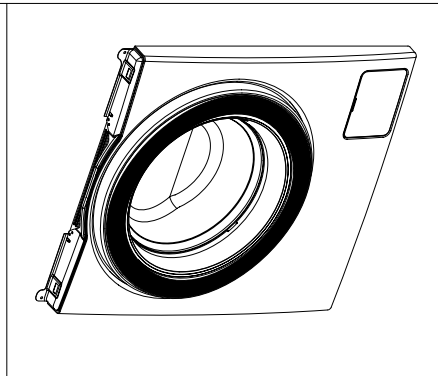
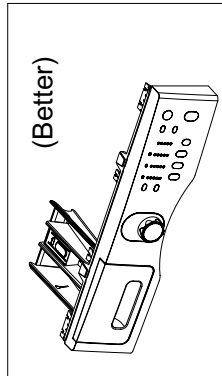
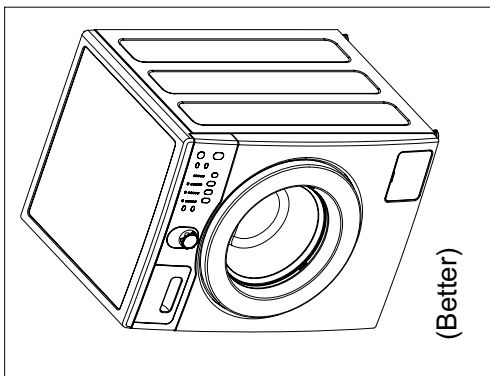


1-1. MAIN

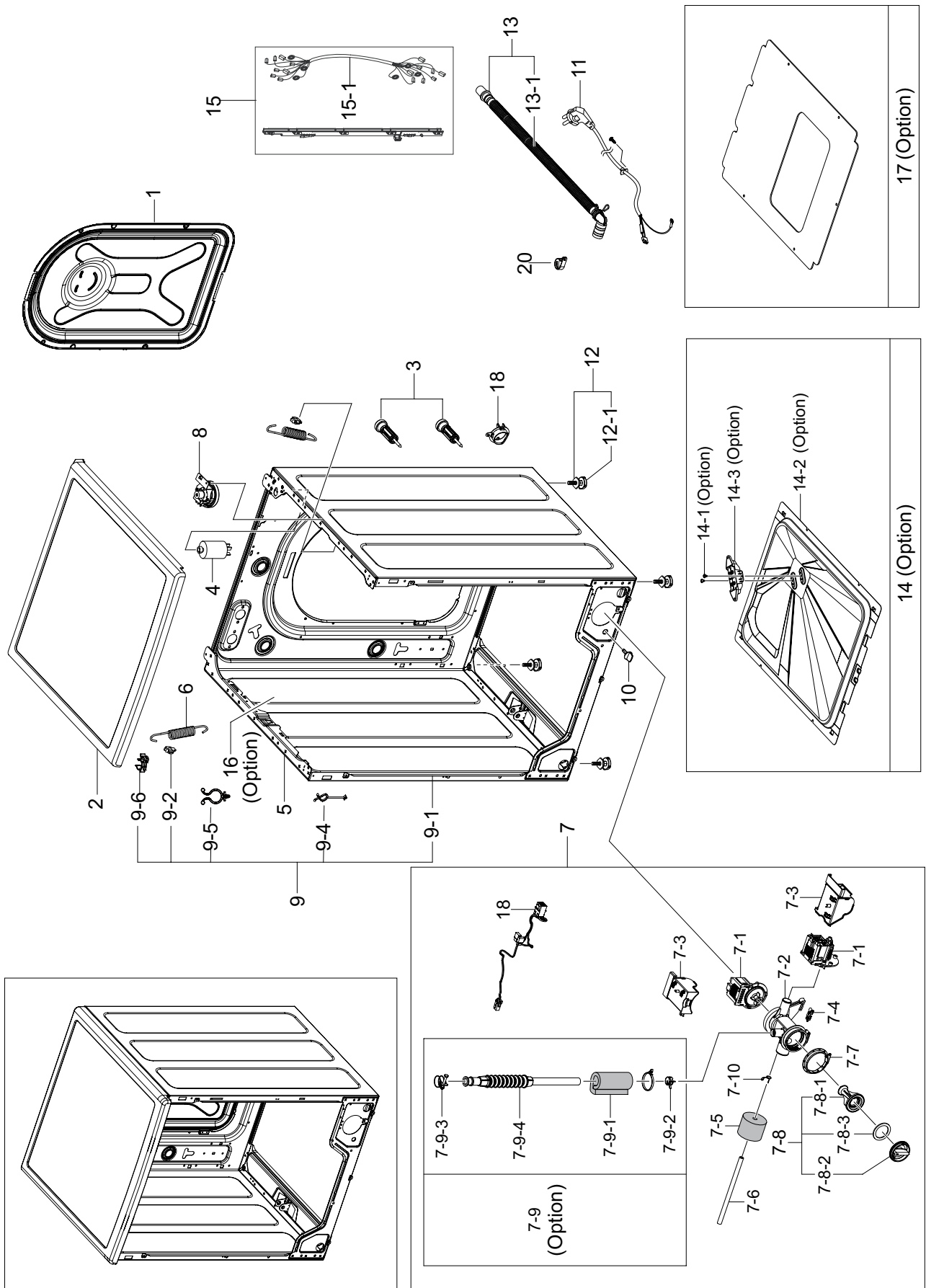


	13		12(Option)
		11(Option)	10
		9	8

MODEL CODE: WF1804WSV/XEFService Bom (**SA**: SERVICE AVAILABLE, **SNA**: SERVICE NOT AVAILABLE)

Drawing No.	Code No.	Description	Specification	QTY	Un	SA/SNA
2	DC97-15696J	ASSY PUMP DRAIN	HEBA DD,BUBBLE,(220~240V	1	PC	SNA
3	DC97-16454A	ASSY FRAME FRONT	HEBA-PJT,WF8804DPA/XEO,	1	PC	SA
5	DC92-00656C	ASSY PCB SUB	P171,Vistula Good SUB,WF180	1	PC	SA
6	DC97-16005J	ASSY HOUSING DRAWER	VISTULA,WF1804WPC/XE	1	PC	SA
7	DC90-13686A	ASSY TUB&DRUM	WF1804WPC/XEF	1	PC	SNA
8	DC67-00208B	CAP-FIXER	WF8602NHS/XFA,PP,T1.5,P535-H,B	1	PC	SA
9	DC60-00104A	FASTENER-BOLT	ALL,CR,OD36,2.5,L113.5	1	PC	SA
10	DC67-00307A	CAP-FIXER	WF438AAC/XAA,PP,T1.5,RECYCLE,B	4	PC	SA
12	DC97-16921A	ASSY HOSE WATER	HEBA,WF8804,REFLEX,BLUE/	1	PC	SC
13	DC62-10278A	HOSE HANGER	PUMP MODEL,PP,BLACK	1	PC	SA

1-2. FRAME & COVER PARTS



MODEL CODE: WF1804WSV/XEF

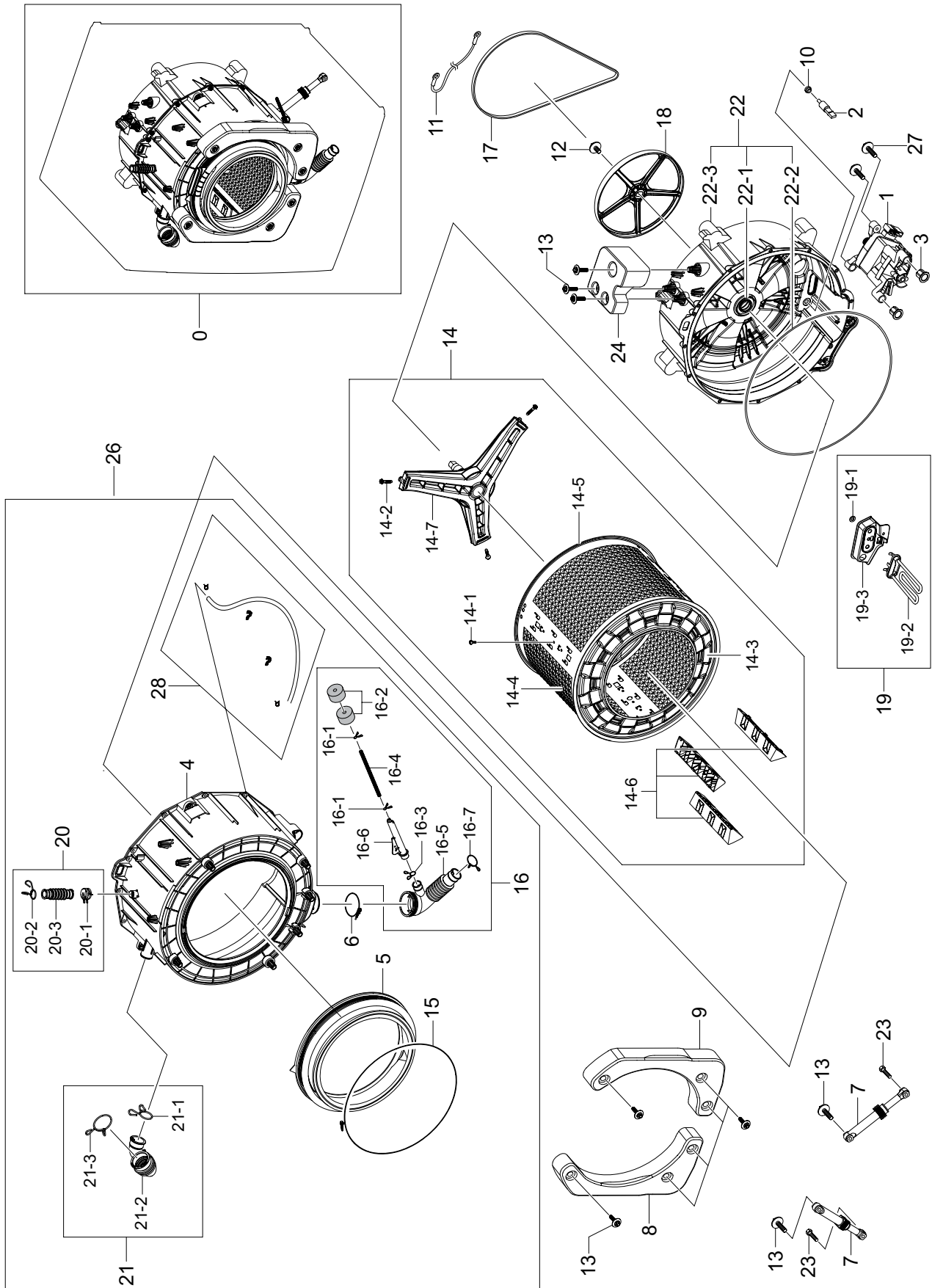
Service Bom (SA: SERVICE AVAILABLE, SNA: SERVICE NOT AVAILABLE)

Drawing No.	Code No.	Description	Specification	QTY	Un	SA/SNA
1	DC63-01028A	COVER BACK	WF0702NBE/XEU,GI-SGCC,T0.4,W3	1	PC	SA
2	DC97-14953A	ASSY COVER TOP	HEBA-PJT,-,WOOD+AL FOIL+U	1	PC	SA
3	DC97-14653C	ASSY FIXER TUB	SCOUT,WF0804Y8E/XEF	4	PC	SA
4	DC29-00005A	FILTER-EMI	RK-TF02-2716,AEGIS,AC 250V,15	1	PC	SA
5	DC97-16466A	ASSY FRAME PLATE(U)	HEBA-SSEC PJT,WF8804	1	PC	SA
6	DC61-02029A	SPRING ETC-HANGER	HEBA,HSWR-SWRH,CD3.5,O	2	PC	SNA
7	DC97-15696J	ASSY PUMP DRAIN	HEBA DD,BUBBLE,(220~240V	1	PC	SNA
7-1	DC31-30008D	PUMP-DRAIN	SW-70XP,220/240V,50Hz,SYNCHRO	2	PC	SA
7-2	DC61-02271B	CASE PUMP	WF0804Y8E/XEF,PP,T2.5,W153.6,L	1	PC	SNA
7-3	DC63-01410A	COVER PUMP	COVER-PUMP,PP,T1.3,W50,L77,V0	2	PC	SNA
7-4	DC63-00905A	CUSHION PUMP	WF8802DPF/XET,NBR,-,W37.6,L	1	PC	SNA
7-5	DC63-10003A	SPONGE-HOSE AIR	0.02G,BLK,-,T20,	1	PC	SNA
7-6	DC67-00244M	HOSE DRAIN	AEGIS,EPDM,ID6,OD10,T2.0,L270	1	PC	SNA
7-7	DC69-01128A	PACKING-PUMP	WF8804DP,IIR,BUTYL,T2.5,HEB	1	PC	SNA
7-8	DC97-15695C	ASSY FILTER	Heba,WF9904CWN1	1	PC	SNA
7-8-1	DC63-00998A	FILTER PUMP	SCOUT-PJT,PP,-,W52.8,L93.1,-	1	PC	SA
7-8-2	DC64-02783A	HANDLE FILTER	WF350ANW/XAA,PP,T2.3,W63.8	1	PC	SNA
7-8-3	DC73-00022A	SEAL PACKING	SEW-HVR149ATA,EPDM,BLK,-	1	PC	SNA
7-10	DC61-00219B	CLAMPER HOSE	SK5,WLSL1100A,ID24 OD26.4	1	PC	SNA
8	DC96-01703A	ASSY SENSOR PRESSURE	Hook	1	PC	SA
9	DC97-16808X	ASSY PAINT FRAME	VISTULA PJT,WF1804WPC/X	1	PC	SA
9-1	DC97-16438H	ASSY FRAME	VISTULA PJT,WF1804WPC/XEU,PCM	1	PC	SNA
9-2	DC61-02065A	GUIDE SPRING	WF448AAG/XXA,POM,T4,W24,L36	2	PC	SNA
9-3	DC61-02065A	GUIDE SPRING	WF448AAG/XXA,POM,T4,W24,L36	2	PC	SNA
9-4	DC61-00995C	HOLDER WIRE	HEBA-PJT,PA,-,NATURAL,-,2110	1	PC	SNA
9-5	DC61-40081A	HOLDER WIRE	DAWH-2NC,PA,-,NATURAL,-	9	PC	SA
9-6	DC61-00133A	CLAMPER HOSE-FIX	P1291,PP,-,HOSE+PLUG,BJ	1	PC	SNA
10	DC61-10673C	CAP DRAIN	WF1802XEY/XSC,FRPP,BLACK	1	PC	SA
11	DC96-00146A	ASSY POWER CORD	VDE,Flag,E.U,250V/16A,H0	1	PC	SA
12	DC97-00920H	ASSY LEG	-,ALL EXCEPT AUSTRALI MODEL,L33	4	PC	SA
12-1	DC97-00920H	ASSY LEG	-,ALL EXCEPT AUSTRALI MODEL,L33	4	PC	SA
13	DC97-02250Z	ASSY HOSE DRAIN(O)	HEBA-PJT,GRY	1	PC	SA
13-1	DC62-10022G	HOSE PUMP	SWF-P12,PP,ID20.5,L1980,-,-,WH	1	PC	SNA
14	DC97-16443C	ASSY COVER BOTTOM	VISTULA 6A MODEL,WF180	1	PC	SA
15	DC93-00486A	ASSY WIRE HARNESS-MAIN	DRUM,Vistula,Top	1	PC	SA
15-1	DC96-00814E	ASSY M. WIRE HARNESS	DRUM,Vistula,230V/5	1	PC	SNA
17	OPTION	SHUTTER	HEBA-PJT,PP,T3.0,-,-,WHT,7kg/DAN	1	PC	SA

MODEL CODE: WF1804WSV/XEFService Bom (**SA**: SERVICE AVAILABLE, **SNA**: SERVICE NOT AVAILABLE)

Drawing No.	Code No.	Description	Specification	QTY	Un	SA/SNA
18	DC93-00016C	ASSY WIRE HARNESS-PUMP	DRUM,SCOUT,CIRCUL	1	PC	SNA
20	DC61-00118A	CLAMPER HOSE-FIX	P1291,PA66,NATURAL,NC0001	1	PC	SA

1-3. ASS'Y TUB DRUM



MODEL CODE: WF1804WSV/XEF

Service Bom (SA: SERVICE AVAILABLE, SNA: SERVICE NOT AVAILABLE)

Drawing No.	Code No.	Description	Specification	QTY	Un	SA/SNA
0	DC90-13686A	ASSY TUB&DRUM	WF1804WPC/XEF	1	PC	SNA
1	DC31-00123F	MOTOR UNIVERSAL-DRUM	UML 5204.01,1400,22	1	PC	SA
2	DC32-00010C	THERMISTOR	3243OHM AT 60□,-10~100,5,100	1	PC	SA
3	DC61-01088A	BUSH MOTOR	Q1636,PA6,ID16.2,OD20.2,L21.4	2	PC	SNA
4	DC61-01932D	TUB FRONT	HEBA PJT,FRPP,ID528,OD575,NTR,	1	PC	SA
5	DC64-01602A	DOOR DIAPHRAGM	HEBA-PJT,EPDM,T1.5,-,GRAY	1	PC	SNA
6	DC65-00021A	CLAMPER HOSE-JOINT	HEBA PJT,HSWR-SWRH,ID	1	PC	SNA
7	DC66-00421B	DAMPER SHOCK	HEBA-SSEC PJT,PP,L215,80N	2	PC	SNA
8	DC97-16008A	ASSY WEIGHT BALANCER-LEFT	SCOUT-PJT,WF08	1	PC	SA
9	DC97-15966A	ASSY WEIGHT BALANCER-RIGHT	SCOUT-PJT,WF0	1	PC	SA
10	DC69-00824A	PACKING-THERMISTOR	GW-PJT,EPDM,-,-,W17,H	1	PC	SNA
11	DC93-00015A	ASSY WIRE EARTH	AEGIS,5KG,230V/50HZ,EART	1	PC	SA
12	6011-001498	BOLT-HEX	M10,L27,ZPC(YEL),SWRCH10AK,WS/N	1	PC	SA
13	6011-003934	BOLT-HEX	M7.6,L48,ZPC(WHT),SCM 435,WASHE	9	PC	SNA
14	DC97-17677B	ASSY DRUM	SSEC HEBA,WF8804LPH1/XEF	1	PC	SA
14-1	6002-001006	SCREW-TAPPING	TH,+,-,2S,M4,L12,PASS,STS4	3	PC	SNA
14-2	DC60-40137A	BOLT HEX	MARS-PJT,STS430,M8,P1.25,L30,HE	3	PC	SA
14-3	DC66-00489A	DRUM FRONT	HEBA PJT,STAINLESS-STS430,ID3	1	PC	SNA
14-4	DC66-00768A	DRUM WRAPPER	SCOUT,STAINLESS-STS430,OD 4	1	PC	SNA
14-5	DC66-00492A	DRUM BACK	HEBA PJT,STAINLESS-STS430,ID48	1	PC	SNA
14-6	DC66-00493A	DRUM LIFTER	HEBA PJT,PP,TI42,GRAY,7/8KG	3	PC	SA
14-7	DC97-14369G	ASSY FLANGE SHAFT	SSEC Heba,WF8804DPA,14	1	PC	SA
15	DC91-12077G	ASSY CLAMP DIAPHRAGM	AEGIS,WF8500NHW/YLP	1	PC	SNA
16	DC97-14637G	ASSY HOSE PRESSURE	SCOUT COMBO,WD0804W8N	1	PC	SA
16-1	DC61-70029C	CLIP RING	SEW-HW125,HSWR,WHITE	2	PC	SNA
16-2	DC63-10003H	ABSORBER SPONGE	SPONGE-HOSE AIR,PUR FOAM	1	PC	SNA
16-3	DC65-60118J	CLIP RING	HSWR-SWRH,-,PI2.0/ID23	1	PC	SNA
16-4	DC67-00230E	HOSE WATER	WD8704,TPE,ID4.5,GRY	1	PC	SNA
16-5	DC67-00293A	HOSE FILTER TUB	HEBA-PJT,EPDM,-,-,T2.5,-	1	PC	SA
16-6	DC67-00598A	HOSE JOINT AIR	WD0804W8N1/YAH,PP,ID36.2,	1	PC	SNA
16-7	DC72-00001H	CLIP RING	HEBA-PJT,HSWR-SWRH,PI3.0,ID35,	1	PC	SNA
17	6602-001497	BELT-TIMING GEAR	RUBBER(GATES),T3.2,1270	1	PC	SA
18	DC66-00500A	PULLEY MOTOR	HEBA PJT,ALDC,OD296.8,1400R	1	PC	SA

MODEL CODE: WF1804WSV/XEFService Bom (**SA**: SERVICE AVAILABLE, **SNA**: SERVICE NOT AVAILABLE)

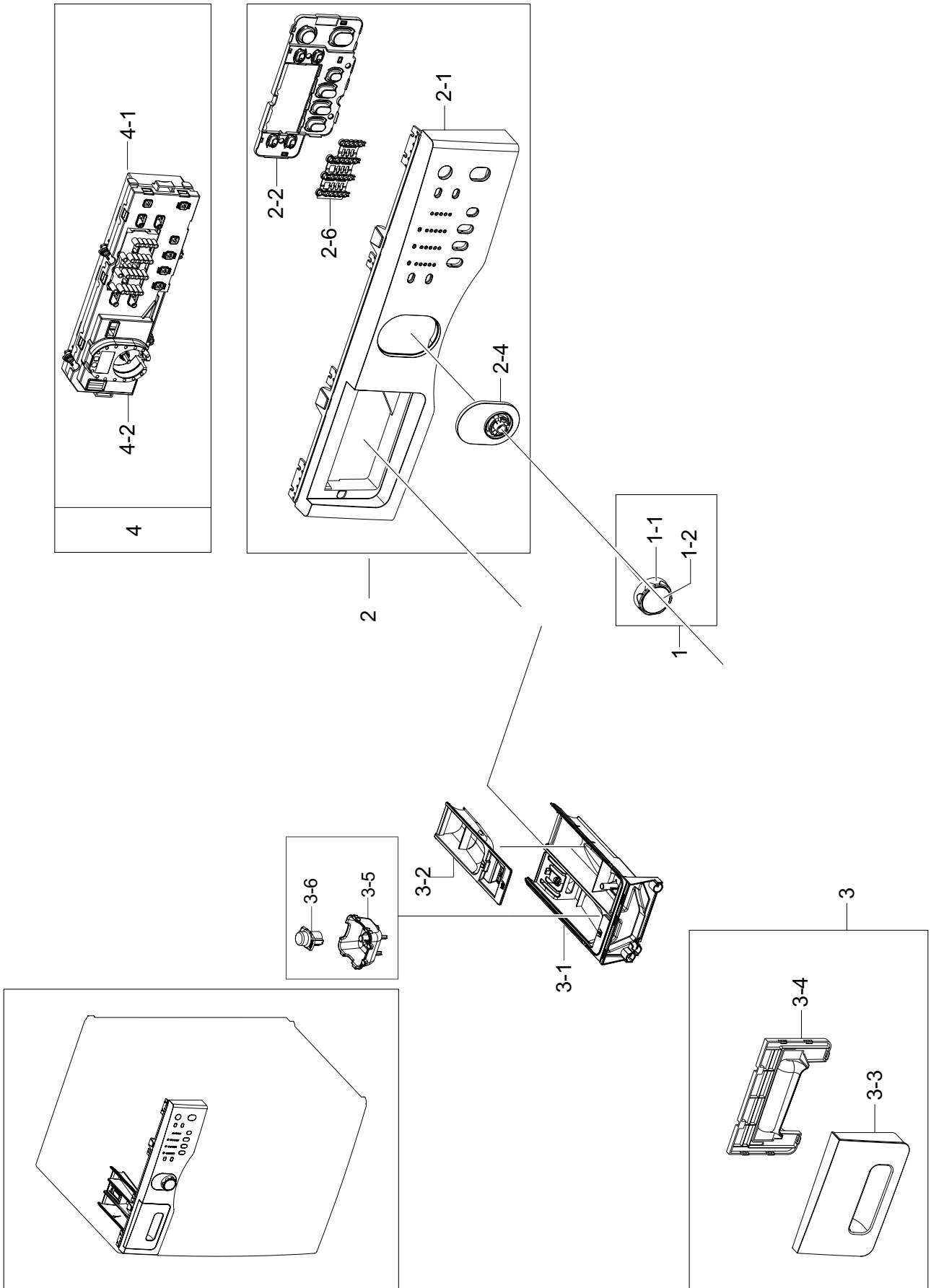
Drawing No.	Code No.	Description	Specification	QTY	Un	SA/SNA
19	DC47-00033B	HEATER-WASH	AC230V,Double Fuse (167□, Cu	1	PC	SA
19-1	DC60-60044B	WASHER PLAIN	SBC,ID8.4/OD30,T2.0	4	PC	SA
19-2	DC47-00033B	HEATER-WASH	AC230V,Double Fuse (167□, Cu	1	PC	SA
20-1	DC65-60118J	CLIP RING	HSWR-SWRH,-,PI2.0/ID23	1	PC	SNA
20-2	DC67-00298A	HOSE AIR	HEBA PJT,EPDM,-,-,T2.5,-,BLK,-	1	PC	SA
21	DC67-00051B	HOSE DRAWER	Q1636GW/XEU,EPDM,ID9.0,OD14.	0.42	M	SNA
21-1	DC65-60118R	CLIP RING	AEGIS-PJT,HSWR-SWRH,T3.0,ID37,	1	PC	SA
21-2	DC67-00422A	HOSE DRAWER TUB	HEBA-PJT,EPDM,BLK	1	PC	SC
21-3	DC72-00001G	CLIP RING	HEBA-PJT,HSWR-SWRH,T3.0,ID49.5	1	PC	SNA
22	DC97-16462E	ASSY SEMI TUB BACK	Heba PJT,WF8804ASA,8.	1	PC	SA
22-1	DC62-00008A	SEAL OIL	NBR,BLACK,-,NBU	1	PC	SA
22-2	DC69-01154A	PACKING-TUB	WF8804DP,EPDM,-,-,L1650	1	PC	SNA
22-3	DC61-01934C	TUB BACK	Heba,FRPP,NTR,1400RPM	1	PC	SNA
23	DC60-40144A	BOLT HEX	SM10C,L35,ZPC2(YEL),M10,ZPC2(YE	2	PC	SA
24	DC67-00582A	WEIGHT BALANCER-UP	HEBA-PJT,CONCRETE,T89	1	PC	SA
26	DC97-16460G	ASSY SEMI TUB FRONT	Heba,1400RPM,8KG,FRP	1	PC	SA
27	DC97-14263A	ASSY BOLT	HEBA-PJT,MOTOR/BOLT(M8)+WASHER	4	PC	SA
28	DC97-15993A	ASSY HOSE CIRCULATION	SCOUT,WF0804Y8E,EP	1	PC	SA

MODEL CODE: WF1804WSV/XEF

Service Bom (SA: SERVICE AVAILABLE, SNA: SERVICE NOT AVAILABLE)

Drawing No.	Code No.	Description	Specification	QTY	Un	SA/SNA
1	DC61-01917B	GUIDE FILTER	WF8804DP,PP,T2.0,W118.9,L14	1	PC	SA
2	DC61-01919A	BRACKET HINGE	WF8804DP,GI-SGCC,T1.4,L161	1	PC	SNA
3	DC63-01516A	COVER-FILTER	WF8804DPA,ABS,T2.5,DA WHITE	1	PC	SA
4	DC64-01538A	DOOR-LOCK S/W	ZV-446L5,PA,W95,L52,WHITE,	1	PC	SA
5	DC97-15005F	ASSY DOOR	WF1804WPVH/XEO,Chromic titan s	1	PC	SNA
5-1	6002-000520	SCREW-TAPPING	TH,+,-,2,M4,L12,ZPC(WHT),S	4	PC	SNA
5-2	DC61-00891A	GUIDE HINGE	HAUZEN(DOM),POM,-,-,-,WHT,HI	4	PC	SA
5-3	DC61-03189A	HINGE DOOR	WF8804DP,PA66,T5.0,Dark Holde	1	PC	SA
5-4	DC61-01915B	BRACKET HOLDER	WF8804DP,GI-SGCC,T1.2,N/A	1	PC	SNA
5-5	DC64-01521A	DOOR GLASS	WF8804DP,GLASS,T5.0,H120.5,NA	1	PC	SA
5-6	6002-000520	SCREW-TAPPING	TH,+,-,2,M4,L12,ZPC(WHT),S	4	PC	SNA
5-7	DC63-00856D	COVER DOOR	WF1804WPVH/XEO,ABS,T2.5,Metal	1	PC	SC
5-8	DC97-15375J	ASSY HOLDER GLASS	HEBA,WF0804Y8E1/YLP	1	PC	SA
5-8-1	DC64-00564A	HANDLE PIN	Q1636GW/XEU,STS,-,-,-,-,TS-	1	PC	SA
5-8-2	DC61-01909B	HOLDER GLASS	HEBA PJT,PP,T2.5,DARK HOLDE	1	PC	SNA
5-8-3	DC61-02027A	SPRING ETC LEVER	STAINLESS-STS304,CD1.2,	1	PC	SNA
5-8-4	DC63-00853E	COVER HANDLE	HEBA,ABS,T2.5,-,VERSAILLES	1	PC	SA
5-8-5	DC64-01524C	HANDLE DOOR	HEBA,ABS,T2.5,HG-0760GP,-,VE	1	PC	SA
5-8-6	DC66-00497A	LEVER DOOR	WF8804DP,ZNDC,T10,W10,L46,NI	1	PC	SC
6	6002-000520	SCREW-TAPPING	TH,+,-,2,M4,L12,ZPC(WHT),S	4	PC	SNA
7	DC97-16454A	ASSY FRAME FRONT	HEBA-PJT,WF8804DPA/XEO,	1	PC	SA
7-1	DC60-00018A	RIVET PLATE	MSWR-SWRH,D4,L43,WHT	4	PC	SNA
7-2	DC61-02919A	FRAME FRONT	WF8804HPA,EGI-SECC,T0.8	1	PC	SNA
7-3	DC61-01981A	BRACKET FRAME	WF8804DP,GI-SGCC,T0.8,W20,	1	PC	SNA
8	DC91-12078D	ASSY WIRE DIAPHRAGM	HEBA-PJT,-,-,-,-,-	1	PC	SNA
9	DC63-00967A	COVER DOOR SWITCH	AEGIS-PJT/ WF8500NHW,P	1	PC	SA
10	6002-000520	SCREW-TAPPING	TH,+,-,2,M4,L12,ZPC(WHT),S	4	PC	SNA

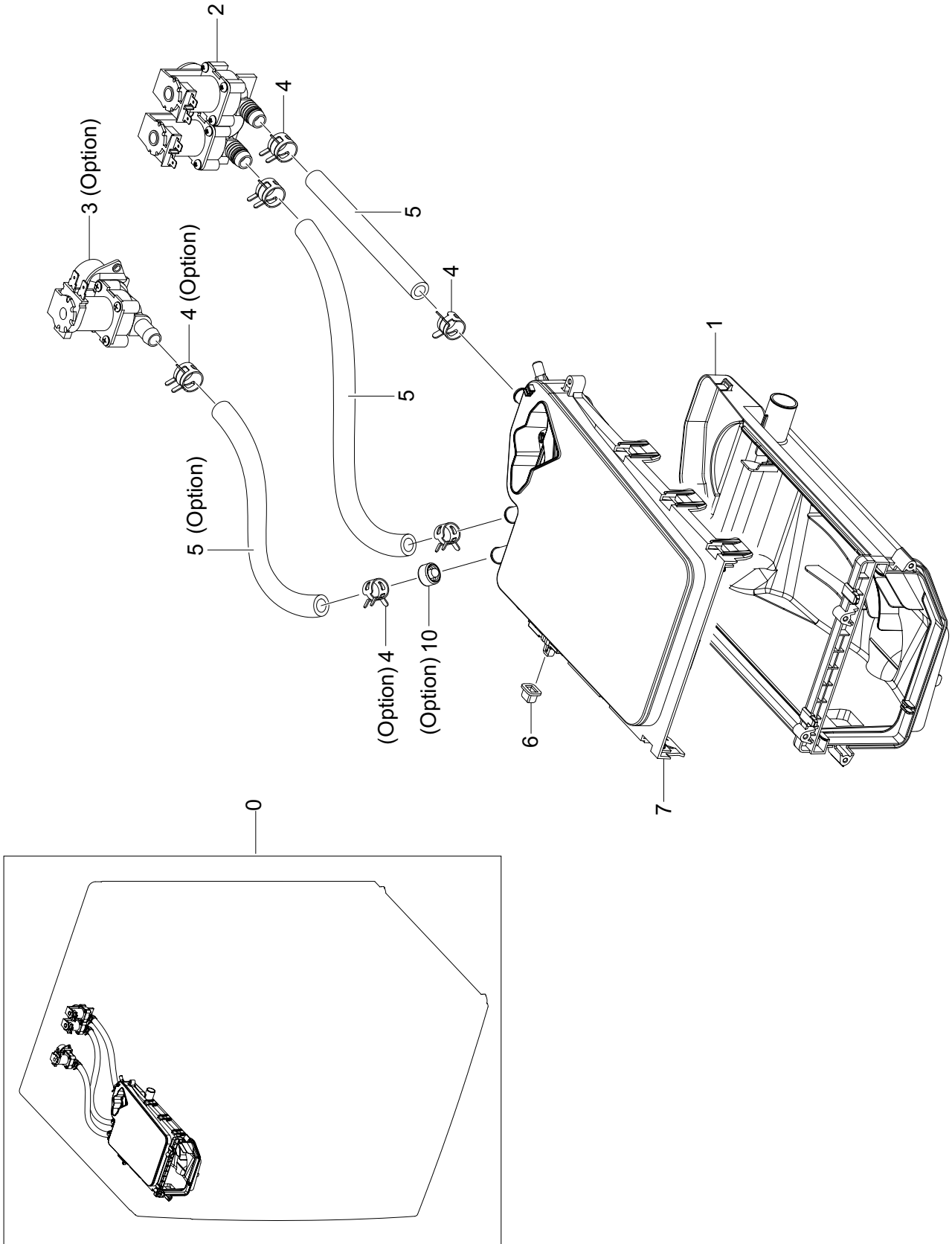
1-5. PANEL-CONTROL & DRAWER



MODEL CODE: WF1804WSV/XEFService Bom (**SA**: SERVICE AVAILABLE, **SNA**: SERVICE NOT AVAILABLE)

Drawing No.	Code No.	Description	Specification	QTY	Un	SA/SNA
1	DC97-17357A	ASSY KNOB ENCODER	SEINE/BAIKAL/VOLGA	1	PC	SA
1-1	DC64-02900A	KNOB ENCODER	SEINE-PJT,ABS,HB,SPARKLING	1	PC	SNA
1-2	DC64-02800A	DECORATION ENCODER	BAIKAL-PJT,ABS,T2.5,-	1	PC	SNA
2	DC97-17189N	ASSY PANEL CONTROL	WF1804WSV/XEF,FRENCH	1	PC	SA
2-1	DC64-01532A	PANEL CONTROL	HEBA-PJT,ABS,-,HG-0760GP,D	1	PC	SNA
2-2	DC64-02698A	BUTTON PUSH-FUNCTION	HEBA,ABS,-,DA WHITE	1	PC	SNA
2-4	DC64-01533A	WINDOW ENCODER	HEBA,PC,-,3022IR,-,HIGH/M	1	PC	SNA
2-6	DC64-01560B	DECORATION LED	WF9904CWE1/XSP,PC,T2.7,-,	1	PC	SNA
3	DC97-16500C	ASSY PANEL DRAWER	VISTULA,WF1702WPC/XEU,	1	PC	SA
3-1	DC61-03129A	BODY DRAWER	WF1802XEC/YLP,PP,NEAT WHITE,	1	PC	SA
3-2	DC67-00452A	CAP RINSE	WF0800NCE,PP,-,MT43,HONESTY	1	PC	SNA
3-3	DC64-01526A	PANEL DRAWER	HEBA-PJT,ABS,-,HG0760GP,DA	1	PC	SNA
3-4	DC64-01527A	HANDLE DRAWER	HEBA-PJT,ABS,T2.0,HG-0760G	1	PC	SNA
3-5	DC61-02581C	GUIDE LIQUID-MIDDLE	WF1802XEC,PP,T2.0,-,	1	PC	SA
3-6	DC67-00524A	CAP DRAWER	WF0804Y8E/XEF,PP,T2.0,-,MT43,	1	PC	SA
4	DC92-01320K	ASSY KIT	8KG 1400RPM AL Motor,VISTULA GO	1	PC	SNA
4-1	DC92-01174H	ASSY PCB MAIN	Vistula	1	PC	SA
4-2	DC92-00656C	ASSY PCB SUB	P171,Vistula Good SUB,WF180	1	PC	SA

1-6. ASS'Y HOUSING DRAWER



MODEL CODE: WF1804WSV/XEFService Bom (**SA**: SERVICE AVAILABLE, **SNA**: SERVICE NOT AVAILABLE)

Drawing No.	Code No.	Description	Specification	QTY	Un	SA/SNA
0	DC97-16005J	ASSY HOUSING DRAWER	VISTULA,WF1804WPC/XE	1	PC	SA
1	DC61-02434A	HOUSING DRAWER-LOW	HEBA-PJT,PP,T1.8,NATU	1	PC	SNA
2	DC62-00024F	VALVE WATER	AC220-240V,Bracket,1in 2out,	1	PC	SA
4	DC61-00219B	CLAMPER HOSE	SK5,WLSL1100A,ID24 OD26.4	1	PC	SNA
5	DC67-00051B	HOSE DRAWER	Q1636GW/XEU,EPDM,ID9.0,OD14.	0.42	M	SNA
5	DC67-00051B	HOSE DRAWER	Q1636GW/XEU,EPDM,ID9.0,OD14.	0.42	M	SNA
6	DC67-00327A	CAP DRAWER HOOK	HEBA-PJT,EPDM,T1.1,W13.9	1	PC	SNA
7	DC97-16006A	ASSY S.HOUSING DRAWER	SCOUT,WF0804Y8E,PP	1	PC	SNA

1-8. PARTS LIST (SA OTHER)

MODEL CODE: WF1804WSV/XEF

Service Bom (SA: SERVICE AVAILABLE, SNA: SERVICE NOT AVAILABLE)

Code No.	Description	Specification	Install. Point	QTY	Un	SA/ SNA
M0030	DC97-14006C	ASSY SCREW	GRIFFIN-PJT,WF9904RWE,SWRCH18	2	PC	SA
G0425	6009-001522	SCREW-HEX	HWH,+,M5,L16,PASS,STS430,FP,SE	2	PC	SA
W0230	DC61-02874A	BRACKET HEATER	WD0704CQR,STAINLESS-STS43	1	PC	SA

1-9. SCREW LISTS

MODEL CODE: WF1804WSV/XEF

Service Bom (SA: SERVICE AVAILABLE, SNA: SERVICE NOT AVAILABLE)

Code No.	Description	Specification	QTY	Un	SA/ SNA
6002-000445	SCREW-TAPPING	TH,+,NO,2,M4,L18,PASS,STS4	2	PC	SNA
6002-000520	SCREW-TAPPING	TH,+,-,2,M4,L12,ZPC(WHT),S	1	PC	SNA
6002-001438	SCREW-TAPPING	HWH,+,NO,1,M5,L12,ZPC(WHT)	2	PC	SNA
6006-001174	SCREW-TAPPING	TH,+,WE,2S,M4,L12,ZPC(WHT)	4	PC	SNA
6009-001343	SCREW-SPECIAL	PH,TORX,M4,L12,ZPC(WHT),SW	1	PC	SNA
DC97-14006C	ASSY SCREW	GRIFFIN-PJT,WF9904RWE,SWRCH18	2	PC	SA
DC97-15858A	ASSY SCREW	trumph-PJT,WF-F1061/YLP,SWRCH	2	PC	SNA
6002-001436	SCREW-TAPPING	PH,+,2,M4,L18,ZPC(WHT),SWR	6	PC	SNA
6003-000226	SCREW-TAPTYPE	TH,+,-,S,M4,L8,ZPC(WHT),SW	2	PC	SNA
6002-000520	SCREW-TAPPING	TH,+,-,2,M4,L12,ZPC(WHT),S	4	PC	SNA
6002-001554	SCREW-TAPPING	TH,+,No,1,M4,L12,STS430,HE	11	PC	SNA
6002-000445	SCREW-TAPPING	TH,+,NO,2,M4,L18,PASS,STS4	4	PC	SNA
6002-001554	SCREW-TAPPING	TH,+,No,1,M4,L12,STS430,HE	2	PC	SNA
6009-001522	SCREW-HEX	HWH,+,M5,L16,PASS,STS430,FP,SE	2	PC	SA
6003-000269	SCREW-TAPTYPE	BH,+,-,S,M3,L6,ZPC(WHT),SW	2	PC	SNA
6002-000440	SCREW-TAPPING	PWH,+,2,M3,L8,ZPC(BLK),SWR	2	PC	SNA
6002-000520	SCREW-TAPPING	TH,+,-,2,M4,L12,ZPC(WHT),S	4	PC	SNA
6003-001768	SCREW-TAPTYPE	TH,+,WT,S,M4,L10,ZPC(WHT),	2	PC	SNA
6006-001174	SCREW-TAPPING	TH,+,WE,2S,M4,L12,ZPC(WHT)	5	PC	SNA
6002-001327	SCREW-TAPPING	PWH,+,1,M4,L12,ZPC(WHT),SW	6	PC	SNA
6006-001174	SCREW-TAPPING	TH,+,WE,2S,M4,L12,ZPC(WHT)	2	PC	SNA
DE60-10080A	SCREW-TAPPING	PWH,+,-,2S,M5,L9,-,SWRCH18	2	PC	SNA
6002-000445	SCREW-TAPPING	TH,+,NO,2,M4,L18,PASS,STS4	4	PC	SNA
6002-000520	SCREW-TAPPING	TH,+,-,2,M4,L12,ZPC(WHT),S	1	PC	SNA
6009-001367	SCREW-HEX	HWH,+,-,M6.5,L32,ZPC(WHT),SWRC	16	PC	SNA
6002-000445	SCREW-TAPPING	TH,+,NO,2,M4,L18,PASS,STS4	2	PC	SNA
6003-001768	SCREW-TAPTYPE	TH,+,WT,S,M4,L10,ZPC(WHT),	1	PC	SNA
6002-001554	SCREW-TAPPING	TH,+,No,1,M4,L12,STS430,HE	2	PC	SNA
6002-001006	SCREW-TAPPING	TH,+,-,2S,M4,L12,PASS,STS4	3	PC	SNA