

## 5. EXPLODED VIEWS AND PARTS LIST



### [MATERIAL CODE STANDARDS]

Material codes and names and their respective naming rules are managed in accordance with the prescribed standards. Please refer to these standards when requesting a material.

#### 1. Material Code Type

● : Number

■ : Letter (Alphabet)

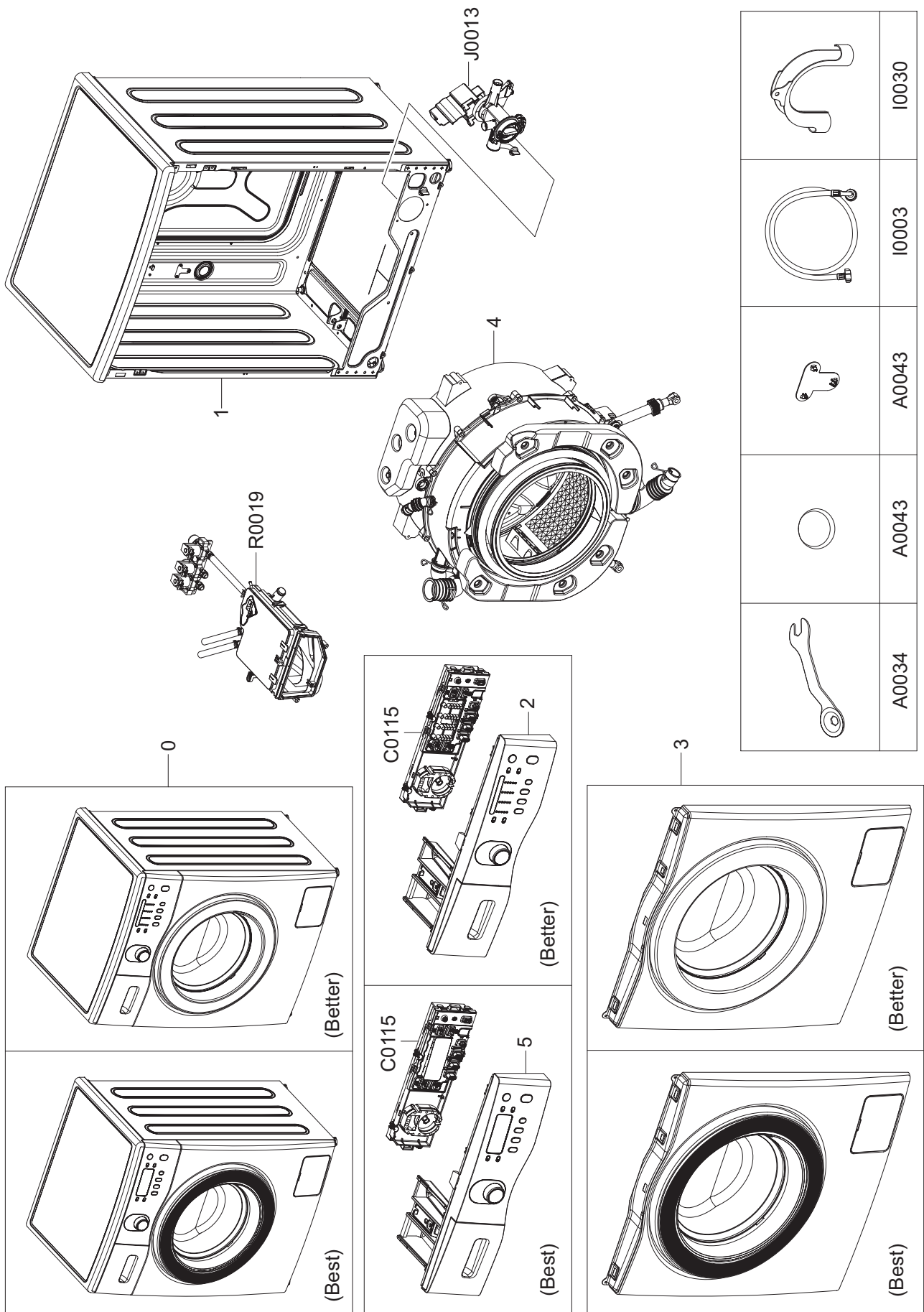
<b>Type 1</b>	 ex) 0204-000418 FREON	<b>Enterprise-wide parts</b> Type 1 materials can be used for all Samsung Electronics products. (Most electrical parts belong to this type.)
<b>Type 2</b>	 ex) DC96-01390A ASSY-CONTROL	<b>Division-wide parts (DC**-Washing machine)</b> Type 2 materials can be used for specific products. (Most instruments and tools belong to this type.)

#### 2. Ass'y Materials

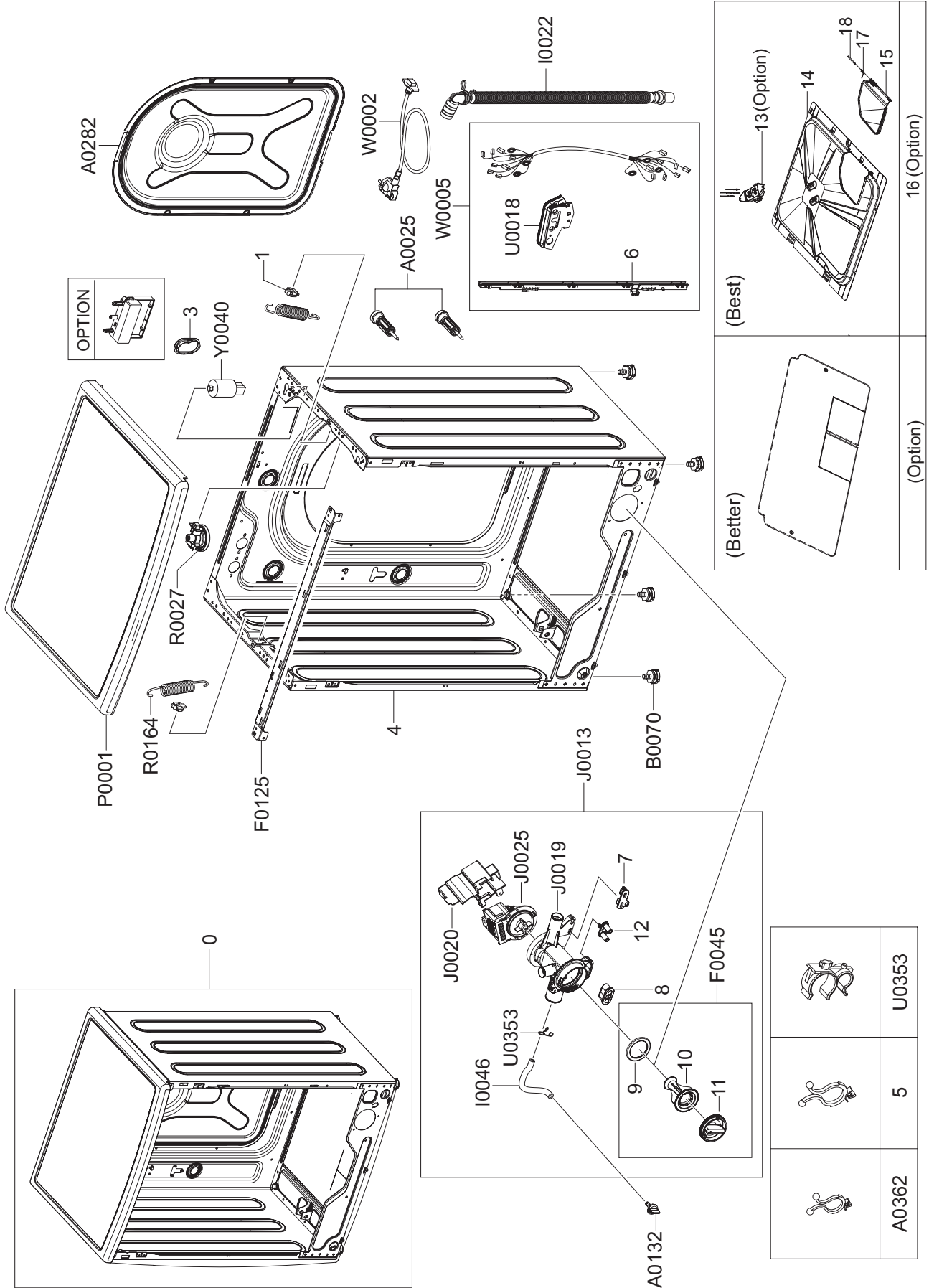
All ass'y material codes start with DC9\*.

An ass'y material is created by combining more than two materials. If a requested material cannot be provided, you can request an ass'y material that contains that material.

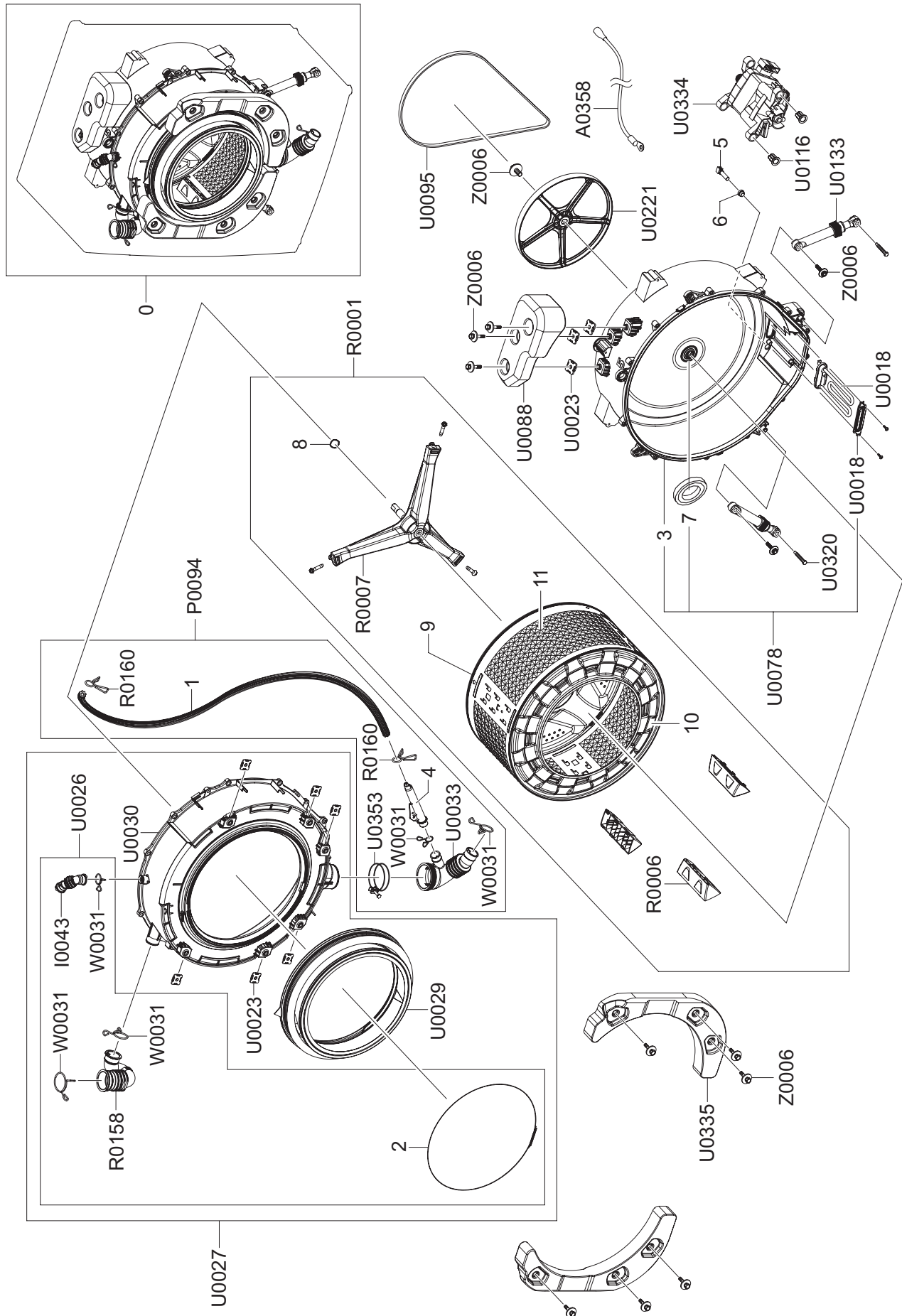
5-1. MAIN



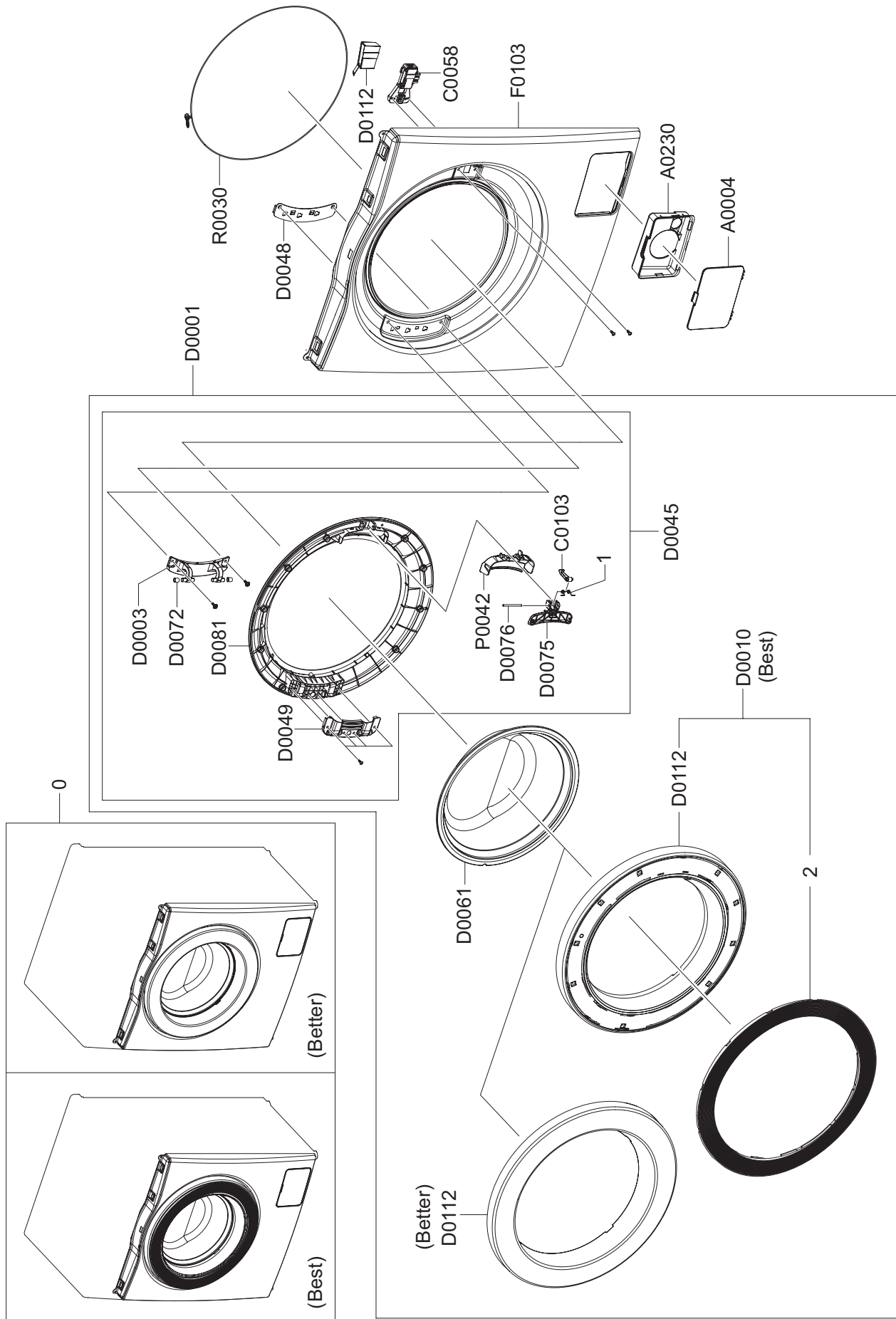
## 5-2. FRAME & COVER PARTS



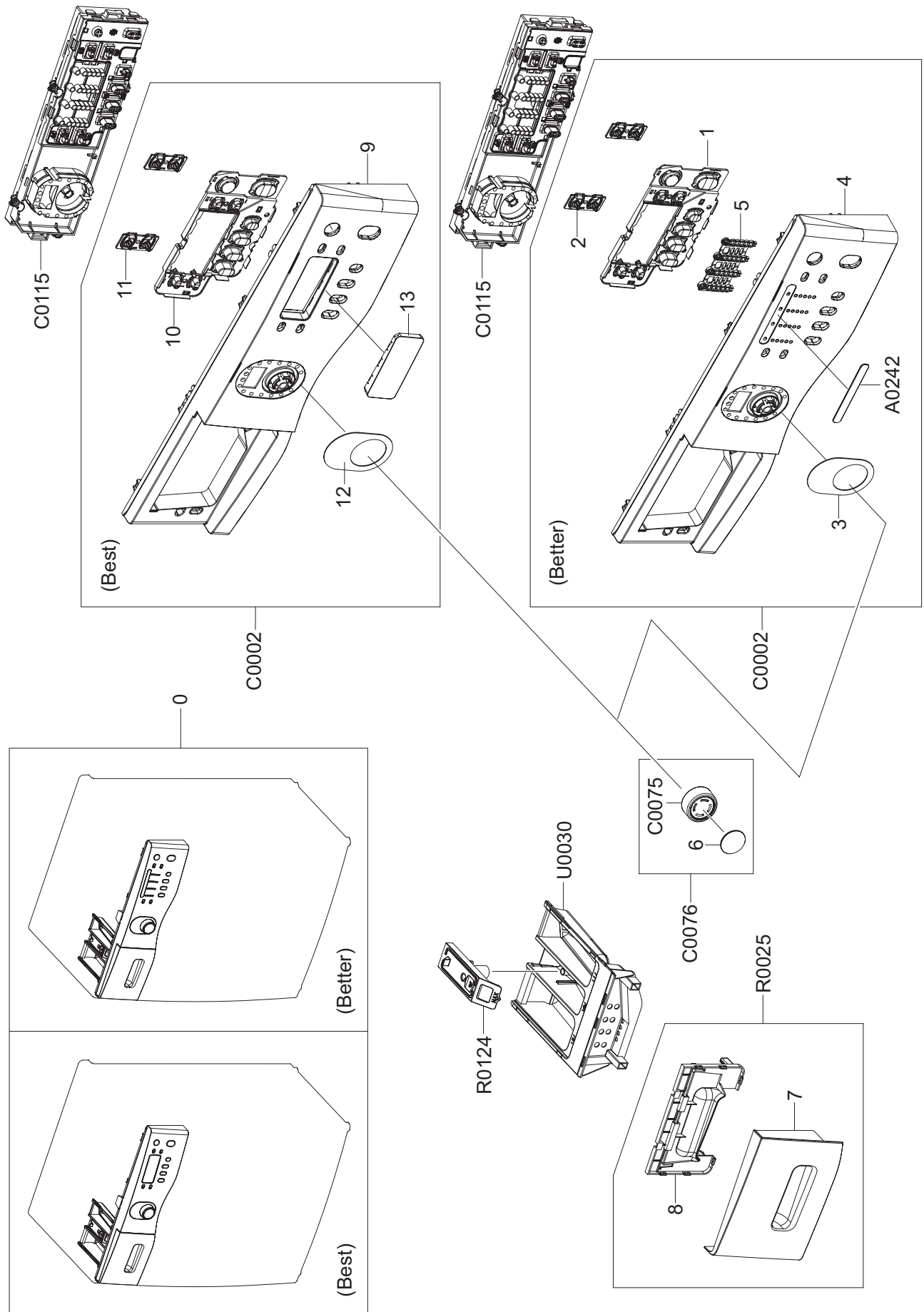
**5-3. ASS'Y TUB DRUM**



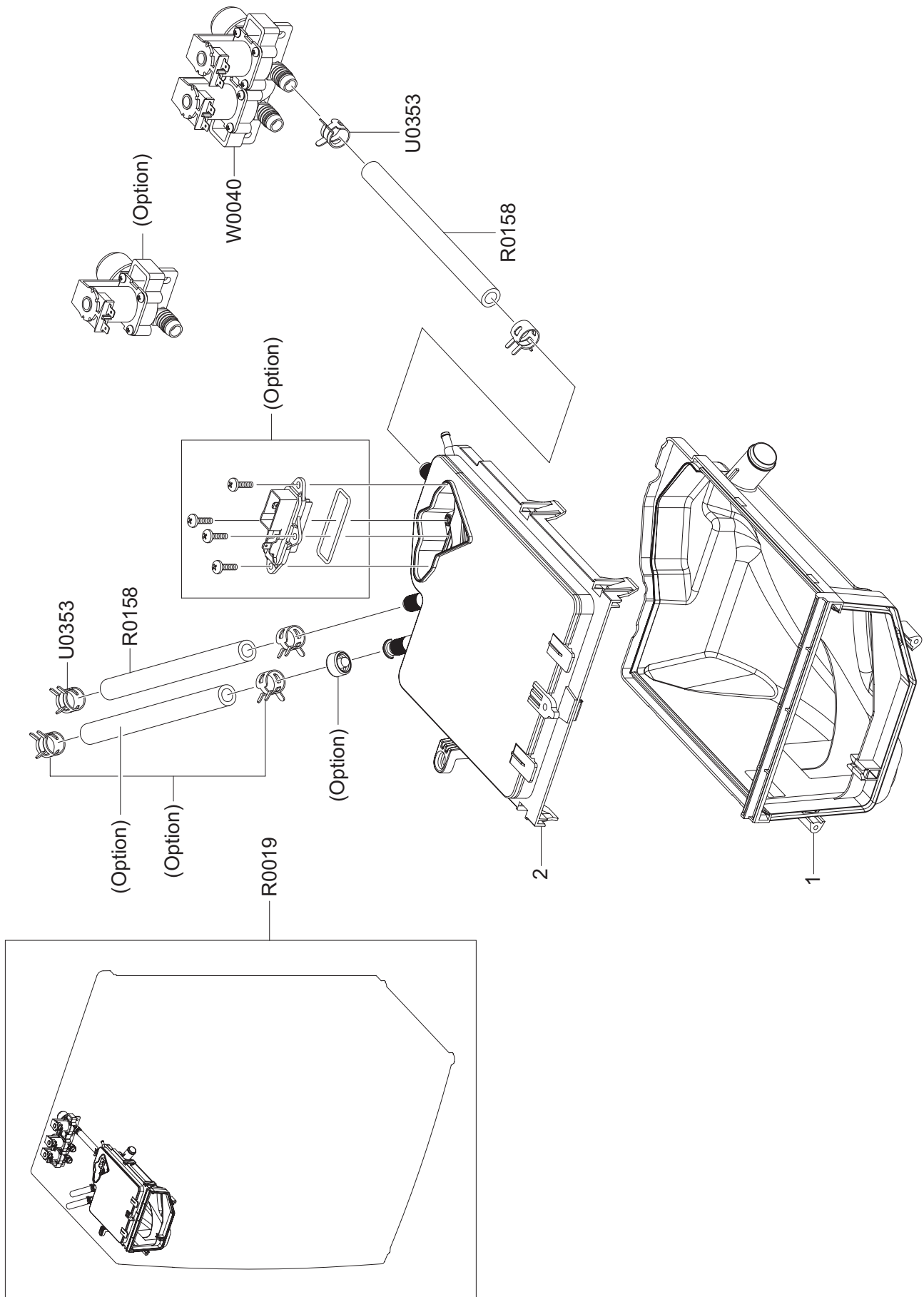
5-4. ASS'Y FRAME FRONT



## 5-5. PANEL-CONTROL & DRAWER



5-6. ASS'Y HOUSING DRAWER



## Part List

## WF8602NFW/XEU

SVCcodod	Low Material	Description	Specifi	Q' ty	SA/SNA
D0072	DC61-00891A	GUIDE-HINGE	HAUZEN (DOM), POM, -, -, -, WHT, HI	2	SA
A0362	DC61-40081A	HOLDER-WIRE	DAWH-2NC, NYLON66, -, -, -, -, NTR	5	SA
A0043	DC67-00208A	CAP-FIXER	J1453GW/XEU, PP, 1.5mm, -, -, NTR, -	1	SA
D0076	DC64-00564A	HANDLE-PIN	Q1636GW/XEU, STS, -, -, -, -, -, TS-	1	SA
A0132	DC61-10673A	CAP-DRAIN	SWF-P12, PP (TB53), -, -, -, WHT, -,	1	SA
U0003	DC60-60044B	WASHER-PLAIN	-, SBC, ID8.4/OD30, T2.0, -, -, -	5	SA
A0043	DC67-00251A	CAP-FIXER	SEW-6HR115B, PP, -, -, -, -, META2-P	5	SA
U0353	DC61-00133A	CLAMPER HOSE-FIX	P1291, PP, ID24.5, OD29.5,	2	SA
U0353	DC65-00008A	CLAMPER HOSE	SEW-DR605, SK5, -, -, YEL, ID14.	4	SA
U0320	DC60-40144A	BOLT-HEX	M10, L41, ZPC2 (YEL), SM10C/DAMPER	2	SA
A0358	DC93-00015A	ASSY WIRE EARTH	AEGIS, 5KG, 230V/50HZ, EART	1	SA
I0030	DC62-10278A	HOSE-HANGER	-, PP, -, -, -, -, NTR, JS20 RESIN	1	SA
W0031	DC65-60118R	BAND-RING	AEGIS-PJT, HSWR, T3.0, ID36.5, -, W	1	SA
R0124	DC61-02106A	STOPPER-DRAWER	WF8500NHW, PP (TB53), T2.0, -	1	SA
W0031	DC72-00001H	BAND-RING	HEBA-PJT, HSWR, PI3.0, ID35, -, WHT	1	SA
Z0006	DC97-14263A	ASSY BOLT	HEBA-PJT, MOTOR/BOLT (M8)+WASHER	4	SA
Z0006	DC97-02412P	ASSY BOLT	AEGIS-PJT, ALL MODEL (WEIGHT-BAL	9	SA
R0030	DC91-12078E	ASSY WIRE DIAPHRAGM	AEGIS, WF8500NHW/YLP,	1	SA
I0043	DC67-00355A	HOSE-AIR	AEGIS-PJT, EPDM, ID20.5, OD24.6, T1	1	SA
Y0115	3501-001154	RELAY-MINIATURE	12Vdc, 200mW, 3000mA, 1Form	1	SA
A0230	DC61-02090A	GUIDE-FILTER	WF8500NHW, ABS (HB), T2.5, W300	1	SA
R0006	DC66-00523A	DRUM-LIFTER	AEGIS-PJT, PP-TI42, T2.5, -, L15	3	SA
D0048	DC61-02184A	BRACKET-HINGE	WF8500NHW, GI, T1.4, -, -, -, AE	1	SA
R0164	DC61-02146A	SPRING ETC-HANGER	AEGIS-PJT, HSWR, CD3.5, I	2	SA
U0023	DC61-40348B	BRACKET-NUT	SBHG-R, P1291, T3, -, -, -, NO-PAI	3	SA
U0023	DC61-40348B	BRACKET-NUT	SBHG-R, P1291, T3, -, -, -, NO-PAI	3	SA
A0004	DC63-00920A	COVER-FILTER	WF8500NHW, ABS, T2.0, W300, L20	1	SA
B0070	DC97-00920C	ASSY LEG	SEW-HW108, -, -, -, -, -	4	SA
U0018	DC63-00927A	COVER-HEATER	AEGIS PJT, ABS+PC, T2.5, -, -, -	1	SA
F0045	DC97-14278A	ASSY FILTER	HEBA-PJT, ASSY-FILTER, -, -	1	SA
A0034	DC60-40146A	BOLT-SPANER	-, CR, -, T2.5, OD36, -, -, -, -	1	SA
A0114	DC64-01667A	SHUTTER	AEGIS-PJT, PP, T3.0, W440, L200, NATU	1	SA
C0076	DC97-15310B	ASSY KNOB ENCODER	AEGIS, BETTER, IMPERIAL-	1	SA
A0025	DC97-14794A	ASSY FIXER TUB	HEBA-PJT/7kg, WF8702LS, -, -	5	SA
J0019	DC61-02173A	CASE-PUMP	AEGIS, PP, T3.0, W167, L108, WHT, -	1	SA
U0016	DC62-00008A	SEAL-OIL	-, NBR (SD35), BLK, -, -, -, NBU (PI15)	1	SA
R0158	DC67-00334A	HOSE-DRAWER TUB	AEGIS-PJT, EPDM, ID35, OD40	1	SA



## WF8602NFW/XEU

U0133	DC66-00531A	DAMPER-SHOCK	AEGIS-PJT, SBHG T1. 0~2. 0, 70N	2	SA
U0030	DC61-02107A	BODY-DRAWER	WF8500NHW, PP, T2. 0, -, -, -, AE	1	SA
U0033	DC67-00335A	HOSE-FILTER TUB	AEGIS-PJT, EPDM, ID65, OD70	1	SA
F0125	DC61-02119A	FRAME-PLATE (U)	WF8600NMW, GI, -, -, NATURAL,	1	SA
I0022	DC97-14291D	ASSY HOSE DRAIN (O)	Aegis-PJT, SSEC, -, L175	1	SA
I0003	DC62-10289C	HOSE-WATER (C)	RUSSIA, PVC+NYLON, ID10. 3, -,	1	SA
R0025	DC97-15169A	ASSY PANEL DRAWER	AEGIS-ROUND, WHT/5. 0KG,	1	SA
U0095	6602-001497	BELT-TIMING GEAR	-, RUBBER (GATES), T3. 4, -,	1	SA
C0058	DC64-01538A	DOOR-LOCK S/W	ZV-446L5, PA66, T19. 5, -, W95.	1	SA
P0094	DC97-14637B	ASSY HOSE PRESSURE	AEGIS-PJT, -, -, -, -, -	1	SA
A0282	DC63-00862B	COVER-BACK	WF8600NMW, GI, T0. 4, W352, L490, -	1	SA
R0027	DC96-01703A	ASSY SENSOR PRESSURE	AEGIS-PJT, -, -, DRUM	1	SA
U0221	DC66-00500A	PULLEY-MOTOR	HEBA PJT, ALDC8, -, -, -, OD296.	1	SA
D0112	DC63-00923A	COVER-DOOR	WF8500NMW, ABS, T2. 5, OD460, -, -,	1	SA
W0002	DC90-11229B	ASSY POWER CORD	BF3, -, SWF-P12, 1900	1	SA
W0032	DC62-00024Y	VALVE-WATER	V-1260 /2WAY, PP, -, 1~8 BAR, GR	1	SA
W0040	DC62-00024F	VALVE-WATER	B1215J, NYLON66/250TRMN, -, -, N	1	SA
U0088	DC67-00337A	WEIGHT-BALANCER (U)	AEGIS-PJT, CONCRETE, -,	1	SA
U0335	DC67-00336A	WEIGHT-BALANCER (F)	AEGIS-PJT, CONCRETE, -,	2	SA
D0045	DC97-15192A	ASSY HOLDER GLASS	AEGIS-PJT, WF8500NHW, -,	1	SA
D0061	DC64-01790A	DOOR-GLASS	AEGIS, HeatTreatmentGLASS, T5. 0	1	SA
J0025	DC31-00030A	PUMP-DRAIN	B20-6, 220V, 50Hz, -, HANYU	1	SA
U0018	DC47-00006X	HEATER	SU8E6547-X, HEBA Pjt, SUS 316L, 2000	1	SA
R0019	DC97-15204B	ASSY HOUSING DRAWER	AEGIS, WF8602NHW/6. 0k	1	SA
C0002	DC97-15308S	ASSY PANEL CONTROL	AEGIS-BETTER, WF8602NF	1	SA
U0030	DC61-02085A	TUB-FRONT	AEGIS 5kg~6kg, FRPP-GF15%, -, OD5	1	SA
U0029	DC64-01664A	DOOR-DIAPHRAGM	AEGIS-PJT, EPDM, T1. 5/T3. 0,	1	SA
U0017	DC97-15190A	ASSY HOUSING BEARING	AEGIS-PJT, 1200RPM/6	1	SA
P0001	DC97-15320A	ASSY COVER TOP	AEGIS-PJT, WF8602NHW, ABS, T	1	SA
W0005	DC93-00006A	ASSY M. GUIDE WIRE HARNESS	AEGIS, GOOD, 230	1	SA
F0103	DC61-02088A	FRAME-FRONT	WF8500NHW, EGI, -, -, WHT, T0. 8, W	1	SA
R0007	DC97-15184A	ASSY FLANGE SHAFT	AEGIS-PJT, 6KG, -, 1200RP	1	SA
F0027	DC99-01034A	ASSY PAINT FRAME	-, WF8600NHW, PCM GI, -, -,	1	SA
C0115	DC92-00209V	ASSY PCB PART-MAIN	ATUR-08B12NB-00, WF860	1	SA
R0001	DC97-15187A	ASSY DRUM	AEGIS-PJT, 6KG/CUBIC, -, 1200RPM,	1	SA
U0334	DC31-00002S	MOTOR UNIVERSAL-DRUM	HXGK1I, 1400, -, 220-2	1	SA