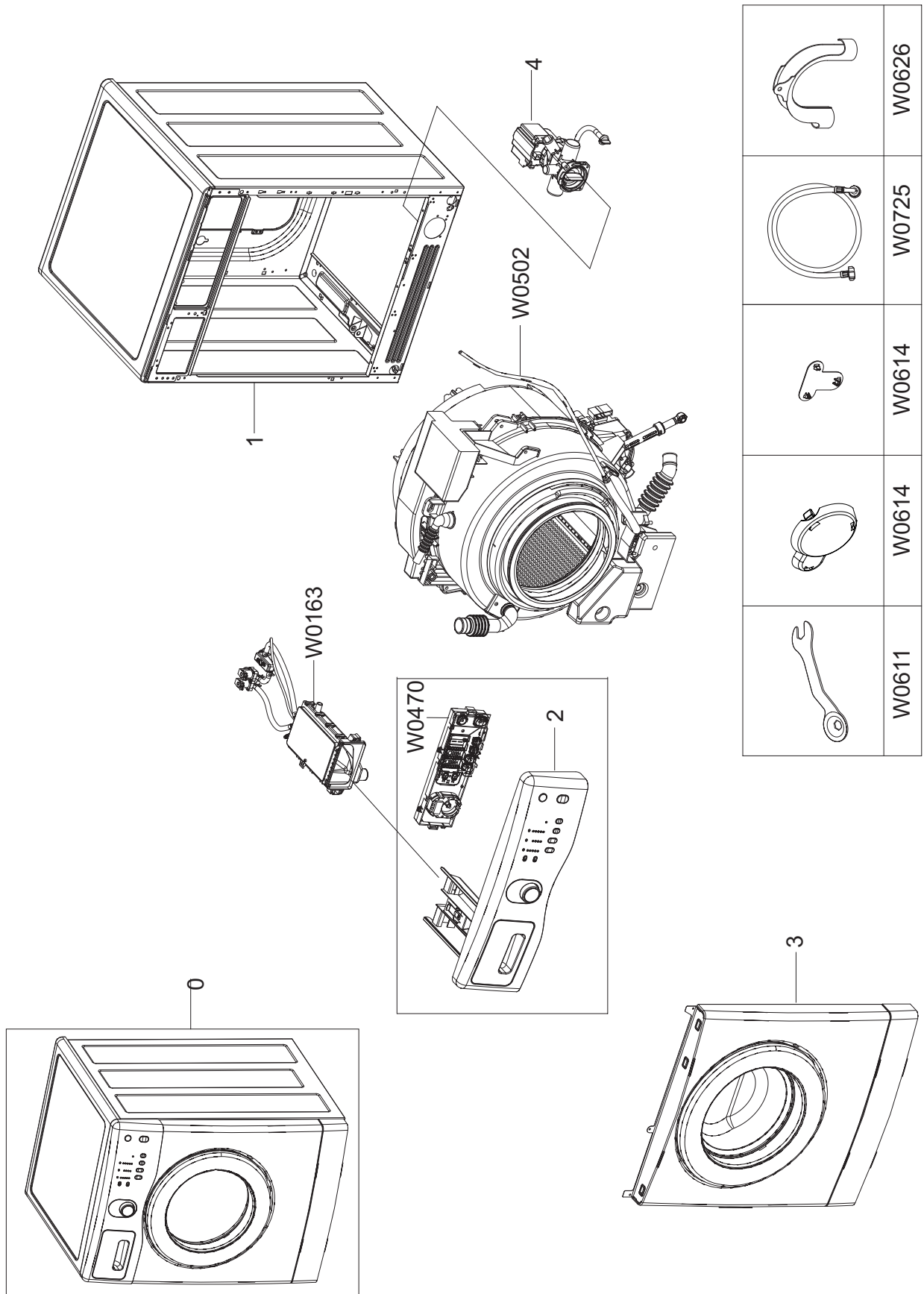


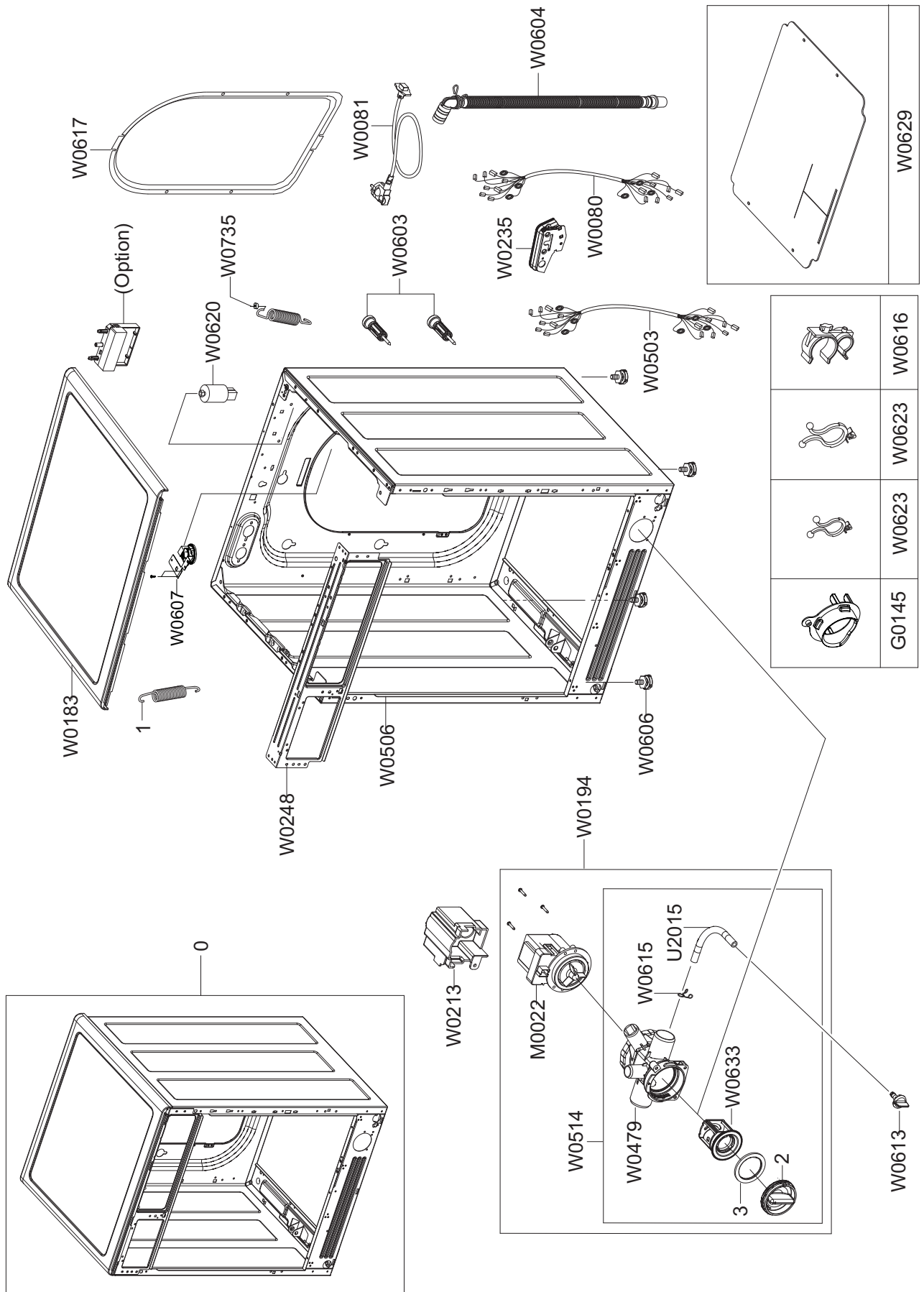
1-1. MAIN



MODEL CODE: WF8702NDW/XEFService Bom (**SA**: SERVICE AVAILABLE, **SNA**: SERVICE NOT AVAILABLE)

SVC Code	Code No.	Description	Specification	QTY	Un	SA/SNA
W0502	DC90-02464A	ASSY TUB&DRUM	Adonis-PJT,WF8702NDW/XEP	1	PC	SNA
W0163	DC97-12030A	ASSY HOUSING DRAWER	J2 MODEL,2 WAY/COLD,	1	PC	SA
W0611	DC60-40146A	BOLT-SPANER	-,CR,-,T2.5,OD36,-,-,-	1	PC	SA
W0614	DC61-10688A	CAP-FIXER	SWF-P12,PP,WHT,TB53	5	PC	SA
W0626	DC62-10278A	HOSE-HANGER	PUMP MODEL,PP,BLK,RM60 RESIN	1	PC	SA
W0614	DC67-00208A	CAP-FIXER	J1453GW/XEU,PP,T1.5,NTR	1	PC	SA
W0470	DC92-00563X	ASSY PCB MAIN	AGEU-08J12NB20-00,WF8702ND	1	PC	SA
0	WF8702NDW/XEF	SET	-	1	-	-
1	-	FRAME & COVER PARTS	Refer to 5.2 Frame & Cover Parts	1	-	-
2	-	PANEL-CONTROL & DRAWER	Refer to 5.5 Control & Drawer	1	-	-
3	-	ASSY-FRAME FRONT	Refer to 5.4 Ass'y Frame Front	1	-	-
4	-	ASSY PUMP DRAWER&COVER PUMP	-	1	-	-

1-2. FRAME & COVER PARTS

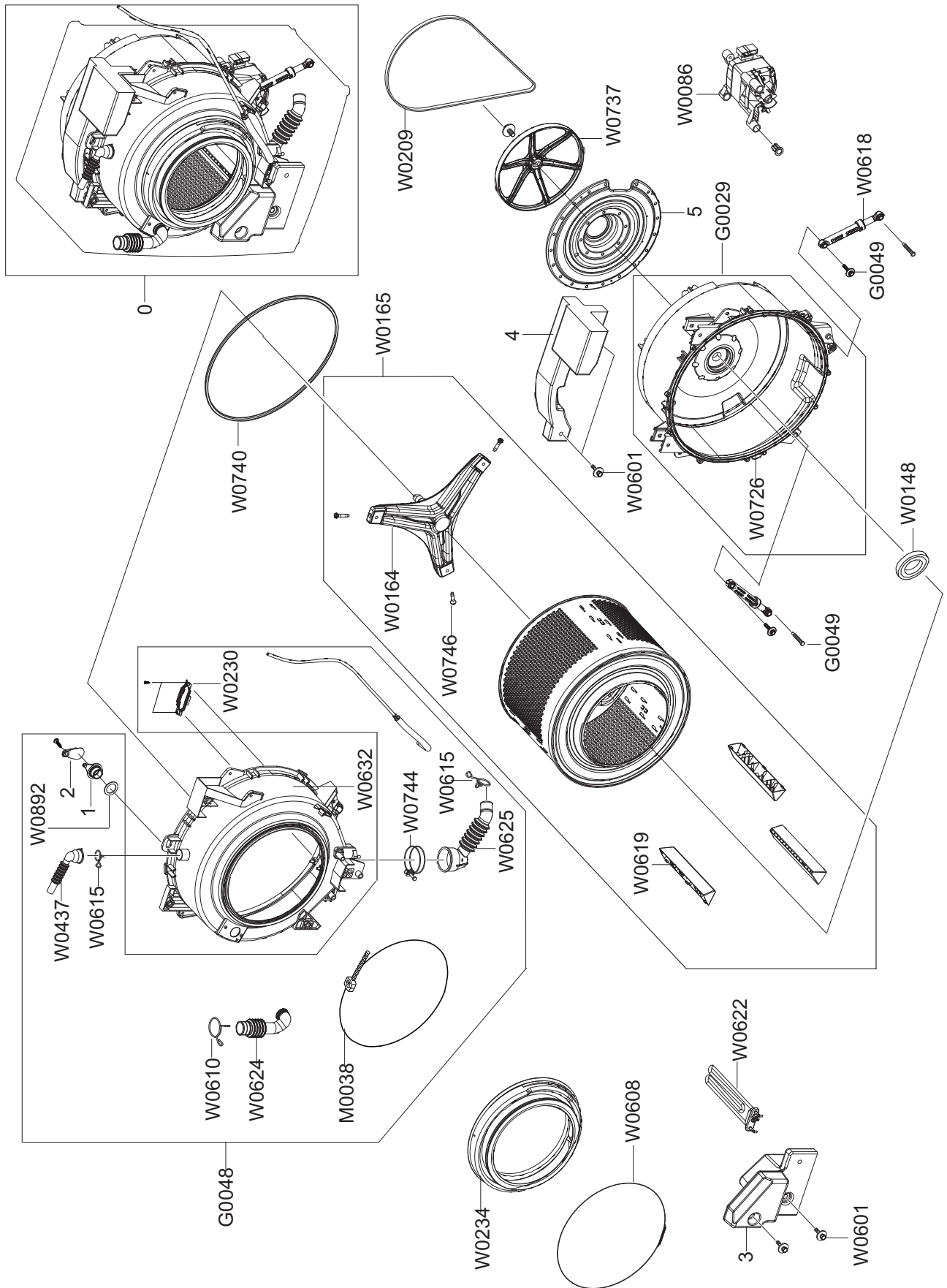


MODEL CODE: WF8702NDW/XEF

Service Bom (SA: SERVICE AVAILABLE, SNA: SERVICE NOT AVAILABLE)

SVC Code	Code No.	Description	Specification	QTY	Un	SA/SNA
G0415	DC61-00274A	GUIDE-HOSE	P/PV/M,PP,-,-,-,WHT,FRAME/DRA	1	PC	SNA
M0022	DC31-30008D	PUMP-DRAIN	SW-70XP,220/240V,50Hz,SYNCHRO	1	PC	SA
U2015	DC67-00244K	HOSE-DRAIN	HEBA,EPDM,ID6,OD10,T2.0,L200,	1	PC	SNA
W0080	DC93-00239A	ASSY M.GUIDE WIRE HARNESS	ADONIS,WF8700N	1	PC	SA
W0081	DC96-00146A	ASSY POWER CORD	UCP2,250V/16A,-,1500/EUR	1	PC	SA
W0183	DC97-14517A	ASSY COVER TOP	UG-KT(7.0KG),UG-KT(7.0KG)	1	PC	SA
W0194	DC96-01336X	ASSY PUMP DRAIN	ALL,WF-F1061,220V 50Hz,A	1	PC	SNA
W0213	DC63-00951A	COVER-PUMP	COVER-PUMP,PP,T2.5,W65,L140,V	1	PC	SA
W0235	DC63-00845A	COVER-HEATER	ALL MODEL,ABS,T2.5,NTR,5VA	1	PC	SA
W0248	DC61-02236A	FRAME-PLATE(U)	ADONIS PJT,GI,-,-,-,T1.0,	1	PC	SA
W0479	DC61-01674E	CASE-PUMP	WF7600SUV/XEO,PP,T2.5,W65,L94,	1	PC	SA
W0503	DC93-00040A	ASSY WIRE HARNESS	Adonis,WF8704SDW,230V/	1	PC	SA
W0506	DC97-05845B	ASSY FRAME	JUMP2-PJT,J1455A/J855A,AG+,-,	1	PC	SNA
W0514	DC97-15785A	ASSY CASE FILTER	TRIUMPH/CATS/TROIKA,GER	1	PC	SA
W0603	DC97-02106C	ASSY FIXER TUB	-,SEW-3HR105,L114.5,-,-,-	5	PC	SA
W0604	DC97-14291B	ASSY HOSE DRAIN(O)	UG-KT/TROIKA/GERMANY,	1	PC	SA
W0606	DC97-14289A	ASSY LEG	ALL MODEL,Φ39 NUT-HEX FLANGE,-,	4	PC	SA
W0607	DC97-00731A	ASSY SENSOR PRESSURE	P1091,S-PRE+BRACKET	1	PC	SA
W0613	DC61-10673A	CAP-DRAIN	SWF-P12,PP,-,-,-,WHT,-	1	PC	SA
W0615	DD65-00001F	CLAMPER HOSE	HSWR,D10.5/T1.2	1	PC	SNA
W0616	DC61-00133A	CLAMPER HOSE-FIX	P1291,PP,ID24.5,OD29.5,	1	PC	SA
W0617	DC63-00414B	COVER-BACK	SEW-3HR103BT,GI,T0.4,-,-,-,-,	1	PC	SA
W0620	DC29-00009C	FILTER EMI	DFC-2715R,P/PV/P2,250V,15,PI3	1	PC	SA
W0623	DC61-40081A	HOLDER-WIRE	DAWH-2NC,PA,NTR(PI19.4)	5	PC	SA
W0623	DC61-00995A	HOLDER-WIRE	DAWH,NYLON,-,H45,-,NTR(PI27)	2	PC	SNA
W0629	DC64-00587A	SHUTTER	Q1636GW/XEU,DANPLA-BB110,WHT,PP(1	PC	SA
W0633	DC63-00743A	FILTER-PUMP	FILTER-PUMP,POM,T2.0,W55,L48	1	PC	SNA
W0735	DC61-60180A	SLEEVE-PLUG	SEW-720DR,NTR	2	PC	SA
1.2-0		FRAME&COVER PARTS				
1.2-1	DC61-00952A	SPRING-HANGER	SEW-3HR105,HSWR,CD3.5,-,OD	2	PC	SA
1.2-2	DC64-01317A	HANDLE-FILTER	HANDLE-FILTER,PP,T2.5,W55,	1	PC	SNA
1.2-3	DC73-00020A	SEAL-PACKING	RUBBER-PACKING,EPDM,BLK,D55	1	PC	SNA

1-3. ASS'Y TUB DRUM

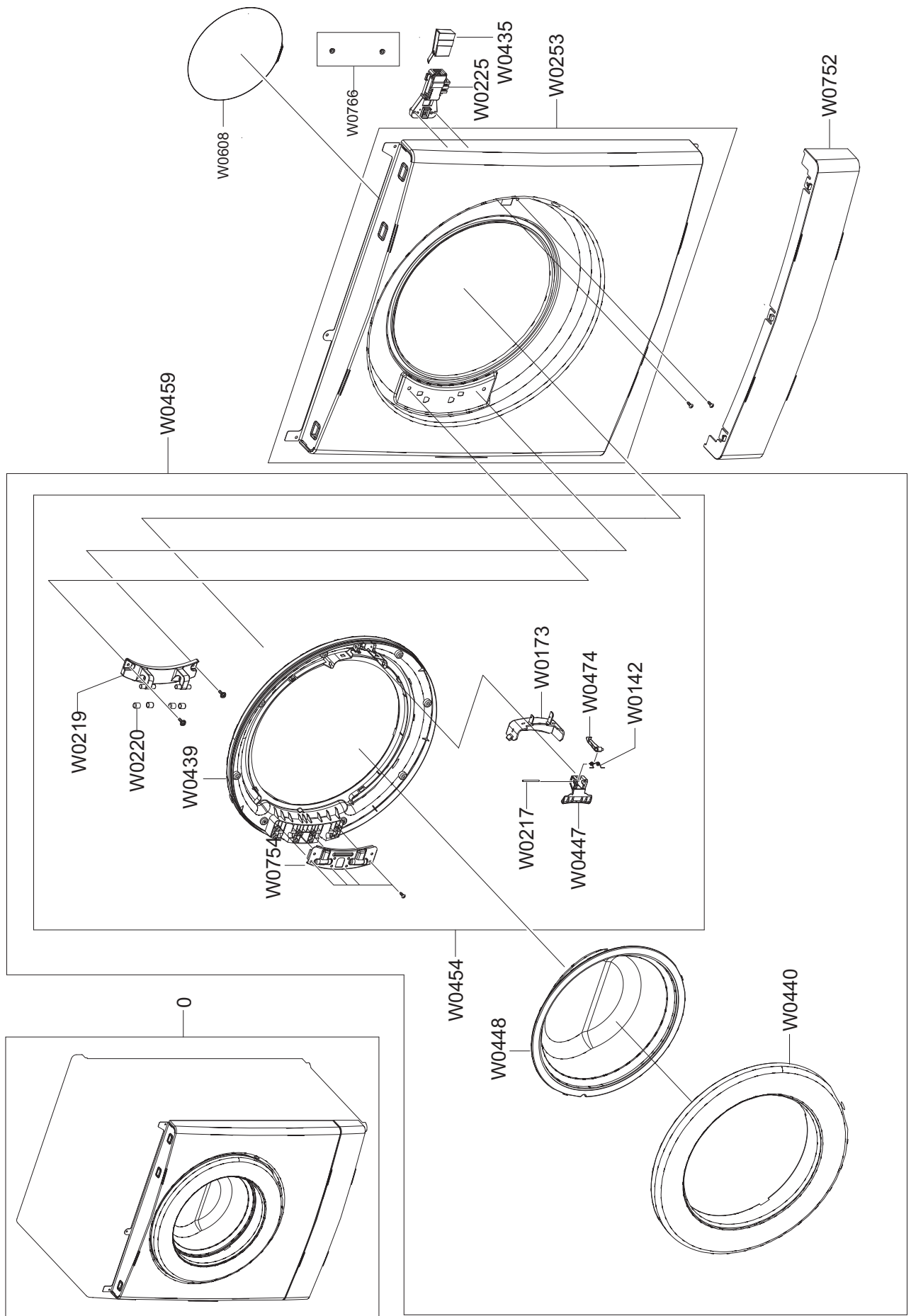


MODEL CODE: WF8702NDW/XEF

Service Bom (SA: SERVICE AVAILABLE, SNA: SERVICE NOT AVAILABLE)

SVC Code	Code No.	Description	Specification	QTY	Un	SA/SNA
G0029	DC97-10977V	ASSY SEMI TUB BACK	J1471GW/XEG,UG-KT PJT	1	PC	SA
G0048	DC97-00215L	ASSY TUB FRONT	SEW-HW957,WASH/7.5KG,-,-,	1	PC	SA
G0049	DC60-40141A	BOLT-HEX	SM10C/DAMPER,HEX,M8,L66,-,ZPC2(2	PC	SA
G0049	DC60-40144A	BOLT-HEX	SM10C,L35,ZPC2(YEL),M10,ZPC2(YE	2	PC	SA
M0038	DC91-12077D	ASSY CLAMP DIAPHRAGM	WF-B853/XSC,TUB,-,S	1	PC	SA
W0086	DC31-00002A	MOTOR UNIVERSAL-DRUM	MCC52/64-148/SEC2,1	1	PC	SA
W0148	DC62-00160A	SEAL-OIL	TS0-PJT,NBR(SD35),BLK,-,-,-,JIN	1	PC	SA
W0164	DC97-13539A	ASSY FLANGE SHAFT	JUMP2-PJT,VE TYPE,-,-,	1	PC	SA
W0165	DC97-05848E	ASSY DRUM	JUMP2,WF6702S6V/YLW,-,ASSY FLA	1	PC	SA
W0209	6602-001497	BELT-TIMING GEAR	-,RUBBER(GATES),T3.4,-,	1	PC	SA
W0230	DC61-01447A	BRACKET-HEATER	V7,STS430,T0.6mm,W30mm,L1	1	PC	SNA
W0234	DC61-20219E	DOOR-DIAPHRAGM	SEW-HW107,EPDM,-,-,-,-,GR	1	PC	SA
W0437	DC67-00205A	HOSE-AIR	ALL-MODEL,EPDM,ID16,OD33,T1.7,L	1	PC	SA
W0601	DC97-02412D	ASSY BOLT	Q1636,WEIHGT(U)/M8*L103,-,-,-,	1	PC	SA
W0601	DC97-02412K	ASSY BOLT	S-PJT,SK5/ID7.5/OD15.4/T2,-,-,	2	PC	SA
W0601	DC97-02412N	ASSY BOLT	J1045AVW1/XSA,M8*L103/ZPC/BLK+	2	PC	SA
W0608	DC91-12078A	ASSY WIRE DIAPHRAGM	SWF-P12,FRAME-FRONT,	1	PC	SA
W0610	DC65-60125A	CLIP-RING	HSWR,T2.4,W36.5,YEL	1	PC	SNA
W0615	DC65-00019A	CLAMPER HOSE	DRUM W/M,SK5,D34/H4/T1.5	2	PC	SA
W0618	DC66-00421A	DAMPER-SHOCK	F-PJT,FRICTION-DAMPER,-,-,-	2	PC	SA
W0619	DC66-00332A	DRUM-LIFTER	TS-2 PJT,PP(TI42)GRY,-,-,-,-	3	PC	SA
W0622	DC47-00013B	HEATER	-,Q2-PJT,-,2000W,8.7A,230,26,D1.3	1	PC	SA
W0624	DC67-00285A	HOSE-DRAWER TUB	JUMP2-MODEL,EPDM,ID40,OD	1	PC	SA
W0625	DC62-10304A	HOSE-FILTER TUB	EPDM,66,L151,BLK,SWF-P12	1	PC	SA
W0632	DC61-30346C	TUB-FRONT	P1405J,FRPP(FRPP15%)SAMBACK,-,	1	PC	SA
W0726	DC61-00922A	TUB-BACK	Q1435,FRPP-GF15%,ID512,OD530,NT	1	PC	SNA
W0737	DC66-00327A	PULLEY	Q1636GW/XEU,ALDC8,ID297.3,OD296.8	1	PC	SA
W0740	DC62-40183A	PACKING-TUB	SWF-P12,EPDM,-,-,-,-,-,BLK,-	1	PC	SA
W0744	DC61-60497A	CLAMPER HOSE-JOINT	SWF-P12,HSWR,-,ID70/O	1	PC	SA
W0745	DC62-10311A	HOSE-PRESSURE	-,EPDM,ID13.5,-,-,-,BLK,SW	1	PC	SA
W0746	6011-001491	BOLT-FLANGE	M8,L38.5,PASS,STS304,P1.25,H	3	PC	SNA
W0892	DC62-00252A	SEAL-WASHER	JUMP2-MODEL,EPDM,NTR,T3.0,W4	1	PC	SNA
1.3-1	DC67-00286A	HOSE-JOINT	HOSE-JOINT,FRPP-GF25,T3.0,L28	1	PC	SNA
1.3-2	DC66-00439A	VANE-CHECK	ALL-MODEL,EPDM,-,-,BLK,-	1	PC	SNA
1.3-3	DC67-00283B	WEIGHT-BALANCE(L)	J2 MODEL VE,CONCRETE,T	1	PC	SA
1.3-4	DC67-00284B	WEIGHT-BALANCE(U)	J2 MODEL VE,CONCRETE,T	1	PC	SA
1.3-5	DC61-02126A	BRACKET-HOUSING BEARING	J1455/TS2,GA,T2.	1	PC	SNA

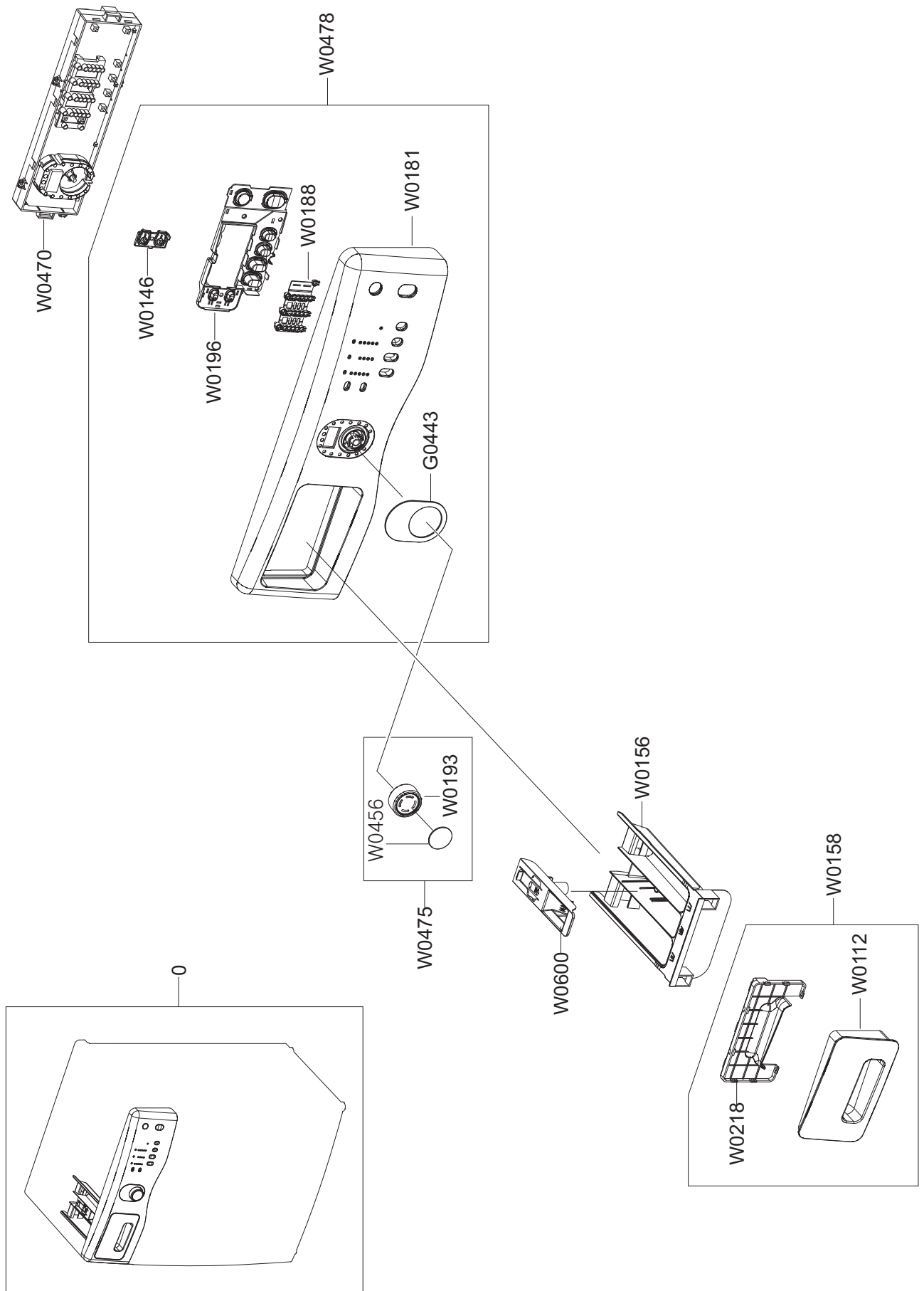
1-4. ASS'Y FRAME FRONT



MODEL CODE: WF8702NDW/XEFService Bom (**SA**: SERVICE AVAILABLE, **SNA**: SERVICE NOT AVAILABLE)

SVC Code	Code No.	Description	Specification	QTY	Un	SA/SNA
W0142	DC61-02250A	SPRING ETC-LEVER	WF-R106N,STS304,CD1.0,I	1	PC	SNA
W0173	DC63-00984A	COVER-HANDLE	WF8752N9P/XSC,ABS,T2.2,-,L1	1	PC	SNA
W0217	DC64-00564A	HANDLE-PIN	Q1636GW/XEU,STS,-,-,-,-,TS-	1	PC	SA
W0219	DC61-02256A	HINGE-DOOR	WF8704SDW,ALDC,T2.3,-,-,-,A	1	PC	SA
W0220	DC61-00891A	GUIDE-HINGE	HAUZEN(DOM),POM,-,-,-,WHT,HI	4	PC	SA
W0225	DC64-01538A	DOOR-LOCK S/W	ZV-446L5,PA66,T19.5,W95,BL	1	PC	SA
W0249	DC61-01640B	FRAME-FRONT	WF8704SDW/XEG,EGI,-,-,-,NATURA	1	PC	SNA
W0253	DC97-11235F	ASSY FRAME FRONT	ADONIS,WF8704SDW/XEG,EG	1	PC	SA
W0435	DC63-00967A	COVER-DOOR SWITCH	AEGIS-PJT/ WF8500NHW,P	1	PC	SA
W0439	DC61-02237A	HOLDER-GLASS	WF8704SDW,PP,T2.5,-,-,WHITE	1	PC	SNA
W0440	DC63-00980A	COVER-DOOR	WF8704SDW,ABS,T2.5,OD428,WHT,	1	PC	SA
W0447	DC64-01822A	HANDLE-DOOR	WF8752N9P/XSC,POM,T2.0,-,L68	1	PC	SA
W0448	DC61-20207A	DOOR-GLASS	Q1636GW/XEU,NON-HeatTreatment	1	PC	SA
W0459	DC97-15475A	ASSY DOOR	ADONIS&KT,WF8704SDW,OD428.9,NE	1	PC	SNA
W0474	DC66-00533A	LEVER-DOOR	WF8752N9P/XSC,ZNDC,T5.7,W20,L	1	PC	SA
W0608	DC91-12078A	ASSY WIRE DIAPHRAGM	SWF-P12,FRAME-FRONT,	1	PC	SA
W0752	DC63-00880A	COVER-FRONT(L)	UG-KT (7.0KG),ABS,T2.5,-,	1	PC	SA
W0754	DC61-01578B	BRACKET-HOLDER	KT&TD MODEL,SK5,T1.2,-,-,	1	PC	SA
W0766	DD60-50018A	NUT-FLANGE	MSWR10,M5XP0.8,FZY	2	PC	SA

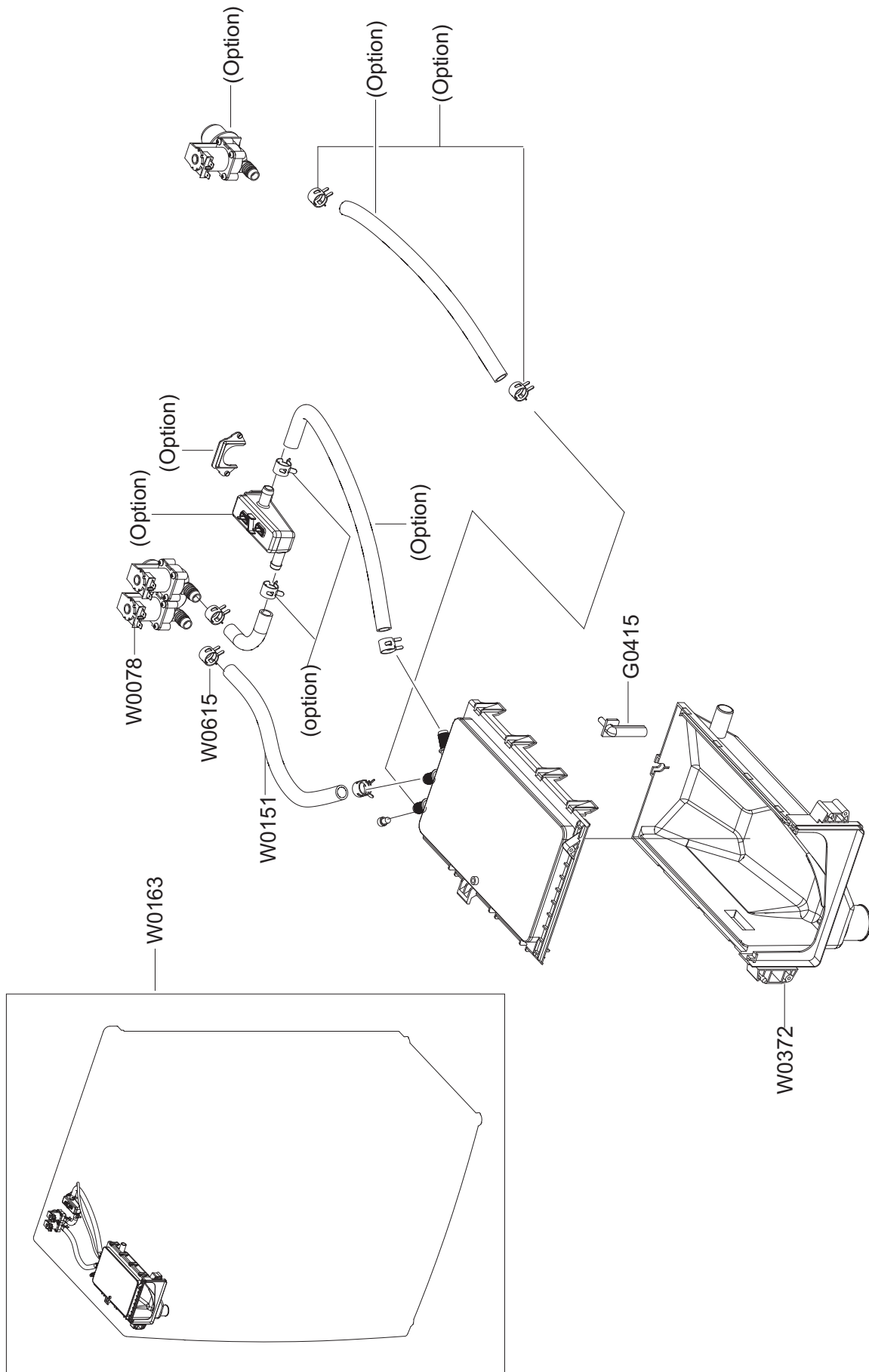
1-5. PANEL-CONTROL & DRAWER



MODEL CODE: WF8702NDW/XEFService Bom (**SA**: SERVICE AVAILABLE, **SNA**: SERVICE NOT AVAILABLE)

SVC Code	Code No.	Description	Specification	QTY	Un	SA/SNA
G0443	DC64-01686F	WINDOW-ENCODER	AEGIS-GOOD,PC,T1.0,W65.0,	1	PC	SNA
W0112	DC64-01803A	PANEL-DRAWER	ADONIS-PJT,ABS,T2.5,-,-,W	1	PC	SNA
W0146	DC64-01806A	BUTTON-LED	ADONIS-PJT,ABS,-,-,TRANSPAREN	1	PC	SNA
W0156	DC61-02159A	BODY-DRAWER	T-PJT/STANDARD-TYPE,PP,T2.0,	1	PC	SA
W0158	DC97-15450A	ASSY PANEL DRAWER	Adonis-PJT,WF8704SDW/X	1	PC	SA
W0181	DC64-01801A	PANEL-CONTROL	ADONIS-PJT,ABS,T2.5,-,-,-,	1	PC	SNA
W0188	DC64-01805A	DECORATION-LED	ADONIS-PJT,ABS,-,-,-,TR	1	PC	SNA
W0193	DC64-02519A	KNOB-ENCODER	AEGIS-PJT,ABS,BLACK	1	PC	SNA
W0196	DC64-01802A	BUTTON-PUSH(F)	ADONIS-PJT,ABS,-,-,WHITE,	1	PC	SNA
W0218	DC64-01804A	HANDLE-DRAWER	ADONIS-PJT,ABS,T2.5,-,-,-,	1	PC	SNA
W0456	DC64-01689B	DECORATION-ENCODER	AEGIS-PJT,ABS,T2.6,DA	1	PC	SNA
W0470	DC92-00563X	ASSY PCB MAIN	AGEU-08J12NB20-00,WF8702ND	1	PC	SA
W0475	DC97-16395B	ASSY KNOB ENCODER	AEGIS,BETTER,IMPERIAL-	1	PC	SA
W0478	DC97-15451L	ASSY PANEL CONTROL	ADONIS-PJT,WF8702NDW/	1	PC	SA
W0600	DC61-02139A	STOPPER-DRAWER	STANDARD MODEL,PP-TD30,T2	1	PC	SA

1-6. ASS'Y HOUSING DRAWER



MODEL CODE: WF8702NDW/XEFService Bom (**SA**: SERVICE AVAILABLE, **SNA**: SERVICE NOT AVAILABLE)

SVC Code	Code No.	Description	Specification	QTY	Un	SA/SNA
G0415	DC61-01605A	GUIDE-HOSE	AG+ MODEL,ABS,-,-,-,WHT,-	1	PC	SNA
W0078	DC62-00024F	VALVE-WATER	B1215J,NYLON66/250TRMN,NTR,2	1	PC	SA
W0151	DC67-00051D	HOSE-DRAWER	S1093~S6093,EPDM,BLK,SLIM-PJ	0.52	M	SA
W0163	DC97-12030A	ASSY HOUSING DRAWER	J2 MODEL,2 WAY/COLD,	1	PC	SA
W0372	DC61-01660A	HOUSING-DRAWER(L)	B/P/J MODEL,PP(TB53),T	1	PC	SNA
W0615	DC61-01136A	CLAMPER HOSE	F1235J,SK5,T1.0/ID14.8,WHT	4	PC	SNA

1-7. PARTS LIST (OTHERS PARTS)

MODEL CODE: WF8702NDW/XEF

Service Bom (SA: SERVICE AVAILABLE, SNA: SERVICE NOT AVAILABLE)

SVC Code	Code No.	Description	Specification	QTY	Un	SA/SNA
W0628	3501-001268	RELAY-POWER	12V,0.9W,25000mA,1FormA,20ms	2	PC	SA
W0085	6001-001773	SCREW-MACHINE	TH,+,-,M5,L12,PASS,STS430,	2	PC	SA
W0654	DC60-00018A	RIVET-PLATE	-,MSWR,D3.9,-,-,L30,WHT,-,-	4	PC	SA
W0750	DC60-60040A	FASTENER-WASHER	-,ID10.5,OD32,T2,-,PBSP-	5	PC	SA
W0110	DC60-60044A	WASHER-PLAIN	-,ID10.5,OD30,T3,-,STS304	2	PC	SA
W0110	DC60-60044B	WASHER-PLAIN	-,SBC,ID8.4/OD30,T2.0,-,-,-	5	PC	SA
W0616	DC61-00133A	CLAMPER HOSE-FIX	P1291,PP,ID24.5,OD29.5,	1	PC	SA
W0612	DC61-00201A	BRACKET-NUT	P1291,SBHG-R,T3,NO-PAINT/MOT	1	PC	SA
W0742	DC61-10676A	CAP-TRAP	SWF-P12,PP(TB53),-,-,-,-,-,	1	PC	SA
W0612	DC61-40348B	BRACKET-NUT	P1291,SBHG-R,T3,NO-PAINT	2	PC	SA
W0612	DC61-40348B	BRACKET-NUT	P1291,SBHG-R,T3,NO-PAINT	2	PC	SA
W0615	DC61-60359E	CLAMPER HOSE	F1235AS/F1035AS,SK5,-,ID7.8	1	PC	SA
W0739	DC61-60499B	CLIP-TUB	HSWR,P1291,-,NO/PAINT,	8	PC	SA
W0739	DC61-60520A	CLIP-TUB	SK5,SWF-P12,-,PLATE-TYPE,	2	PC	SA
W0627	DC62-10289C	HOSE-WATER(C)	RUSSIA,PVC+NYLON,ID10.3,-,	1	PC	SA
W0235	DC63-00651A	COVER-HEATER	Q1657TGW/XEU,GI,T0.4,-,-,-,	1	PC	SA
G0054	DC63-10003C	ABSORBER SPONGE	SWF-P12,PU-FOAM,GRY	1	PC	SA
W0610	DC65-60118K	CLIP-RING	HSWR,PI2.0,ID18,OD22,YEL	1	PC	SA
W0610	DC65-60118P	CLIP-RING	WF-F105AV,HSWR,T2.6,WHT,ID31	1	PC	SA
W0601	DC97-02412M	ASSY BOLT	B-PJT,SK5/ID7.5/OD15.4/T2,-,-,	1	PC	SA
W0455	DC97-15476A	ASSY-HOLDER GLASS	ADONIS&KT,WF8704SDW,-,	1	PC	SA
W0254	DC99-00634C	ASSY PAINT FRAME	-,WF7704NAW/XEG,SSEC/KT	1	PC	SA

1-8. PARTS LIST (SCREW PARTS)

MODEL CODE: WF8702NDW/XEF

Service Bom (SA: SERVICE AVAILABLE, SNA: SERVICE NOT AVAILABLE)

SVC Code	Code No.	Description	Specification	QTY	Un	SA/SNA
W0085	6001-001773	SCREW-MACHINE	TH,+,-,M5,L12,PASS,STS430,	2	PC	SA
W0105	6002-000471	SCREW-TAPPING	TH,+,-,1,M4,L12,PASS,STS30	2	PC	SNA
W0105	6002-001286	SCREW-TAPPING	FH,+,-,1,M4,L16,PASS,STS43	9	PC	SNA
W0105	6002-001306	SCREW-TAPPING	TH,+,-,1,M4,L14,ZPC(WHT),SWR	8	PC	SNA
W0105	6002-000445	SCREW-TAPPING	TH,+,-,2,M4,L18,PASS,STS304	2	PC	SNA
W0105	6006-001174	SCREW-TAPPING	TH,+,-,WE,2S,M4,L12,ZPC(WHT)	5	PC	SNA
W0102	6009-001342	SCREW-SPECIAL	TH,+,-,M5,L11,ZPC(WHT),SWR	2	PC	SNA
W0105	6002-000630	SCREW-TAPPING	PH,+,-,NO,2S,M3,L8,ZPC(WHT),	2	PC	SNA
W0105	6002-001327	SCREW-TAPPING	PWH,+,-,1,M4,L12,ZPC(WHT),SW	2	PC	SNA
F0056	6003-001768	SCREW-TAPTYPE	TH,+,-,WT,S,M4,L10,ZPC(WHT),	4	PC	SNA
W0105	6006-001174	SCREW-TAPPING	TH,+,-,WE,2S,M4,L12,ZPC(WHT)	2	PC	SNA
W0105	6002-001327	SCREW-TAPPING	PWH,+,-,1,M4,L12,ZPC(WHT),SW	6	PC	SNA
W0105	6002-001006	SCREW-TAPPING	TH,+,-,2S,M4,L12,PASS,STS4	1	PC	SNA
W0105	6002-000444	SCREW-TAPPING	TH,+,-,2,M4,L14,PASS,STS430	2	PC	SNA
W0105	6002-000520	SCREW-TAPPING	TH,+,-,2,M4,L12,ZPC(WHT),S	2	PC	SNA
W0105	6002-001006	SCREW-TAPPING	TH,+,-,2S,M4,L12,PASS,STS4	3	PC	SNA
W0105	6002-001327	SCREW-TAPPING	PWH,+,-,1,M4,L12,ZPC(WHT),SW	1	PC	SNA
F0056	6003-001768	SCREW-TAPTYPE	TH,+,-,WT,S,M4,L10,ZPC(WHT),	1	PC	SNA
W0105	6002-000471	SCREW-TAPPING	TH,+,-,1,M4,L12,PASS,STS30	3	PC	SNA
W0105	6002-000520	SCREW-TAPPING	TH,+,-,2,M4,L12,ZPC(WHT),S	9	PC	SNA
W0105	6002-000525	SCREW-TAPPING	FH,+,-,1,M4,L12,PASS,STS30	1	PC	SNA
W0105	6002-001006	SCREW-TAPPING	TH,+,-,2S,M4,L12,PASS,STS4	2	PC	SNA
W0105	6006-001174	SCREW-TAPPING	TH,+,-,WE,2S,M4,L12,ZPC(WHT)	12	PC	SNA
W0102	6009-001343	SCREW-SPECIAL	PH,TORX,M4,L10,ZPC(WHT),SW	1	PC	SNA
W0105	6002-001436	SCREW-TAPPING	PH,+,-,2,M4,L18,ZPC(WHT),SWR	1	PC	SNA
	6002-000440	SCREW-TAPPING	PWH,+,-,2,M3,L8,ZPC(BLK),SWR	2	PC	SNA
G0010	6003-000269	SCREW-TAPTYPE	BH,+,-,S,M3,L6,ZPC(WHT),SW	2	PC	SNA
W0105	6002-001436	SCREW-TAPPING	PH,+,-,2,M4,L18,ZPC(WHT),SWR	3	PC	SNA