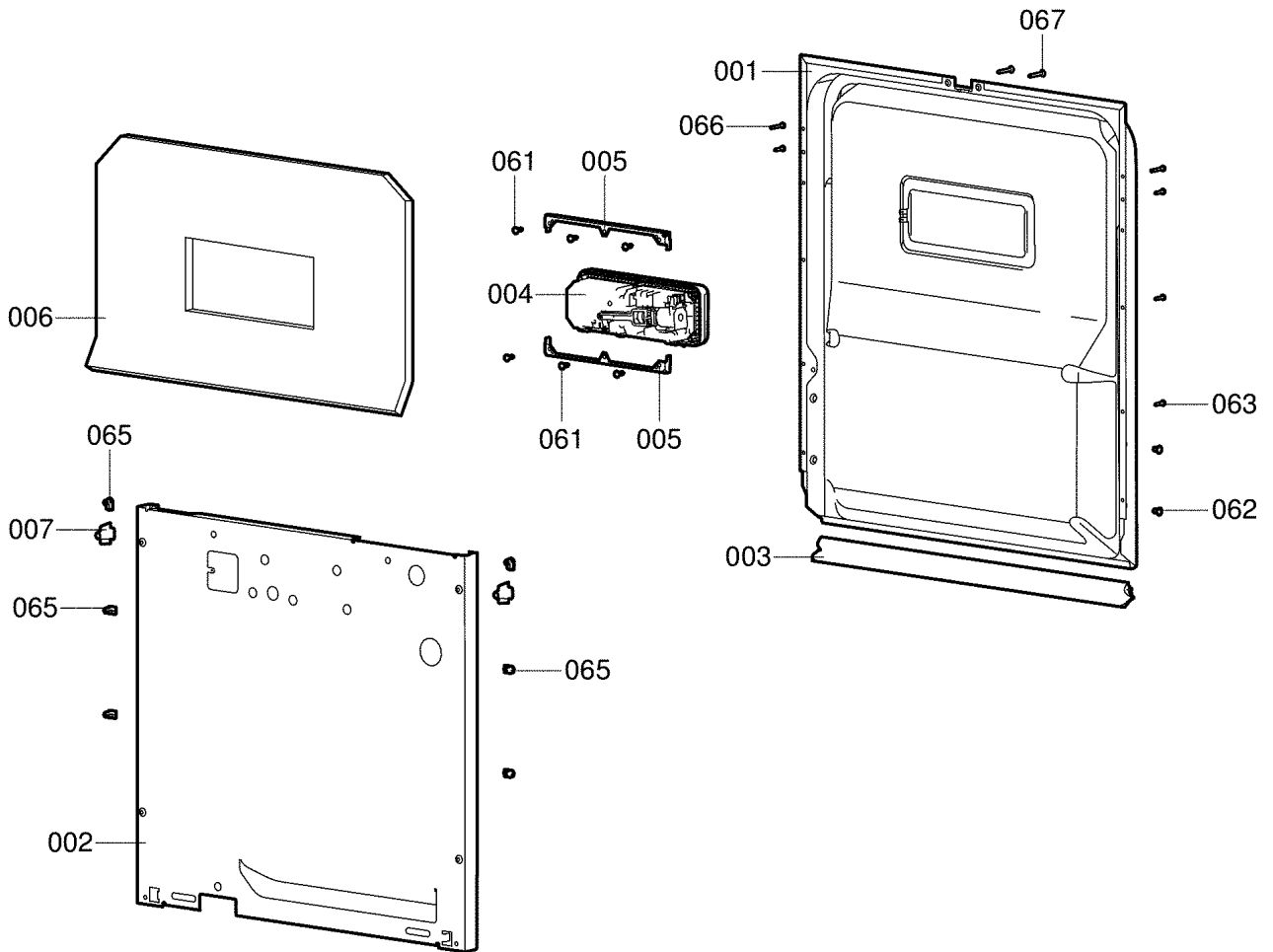


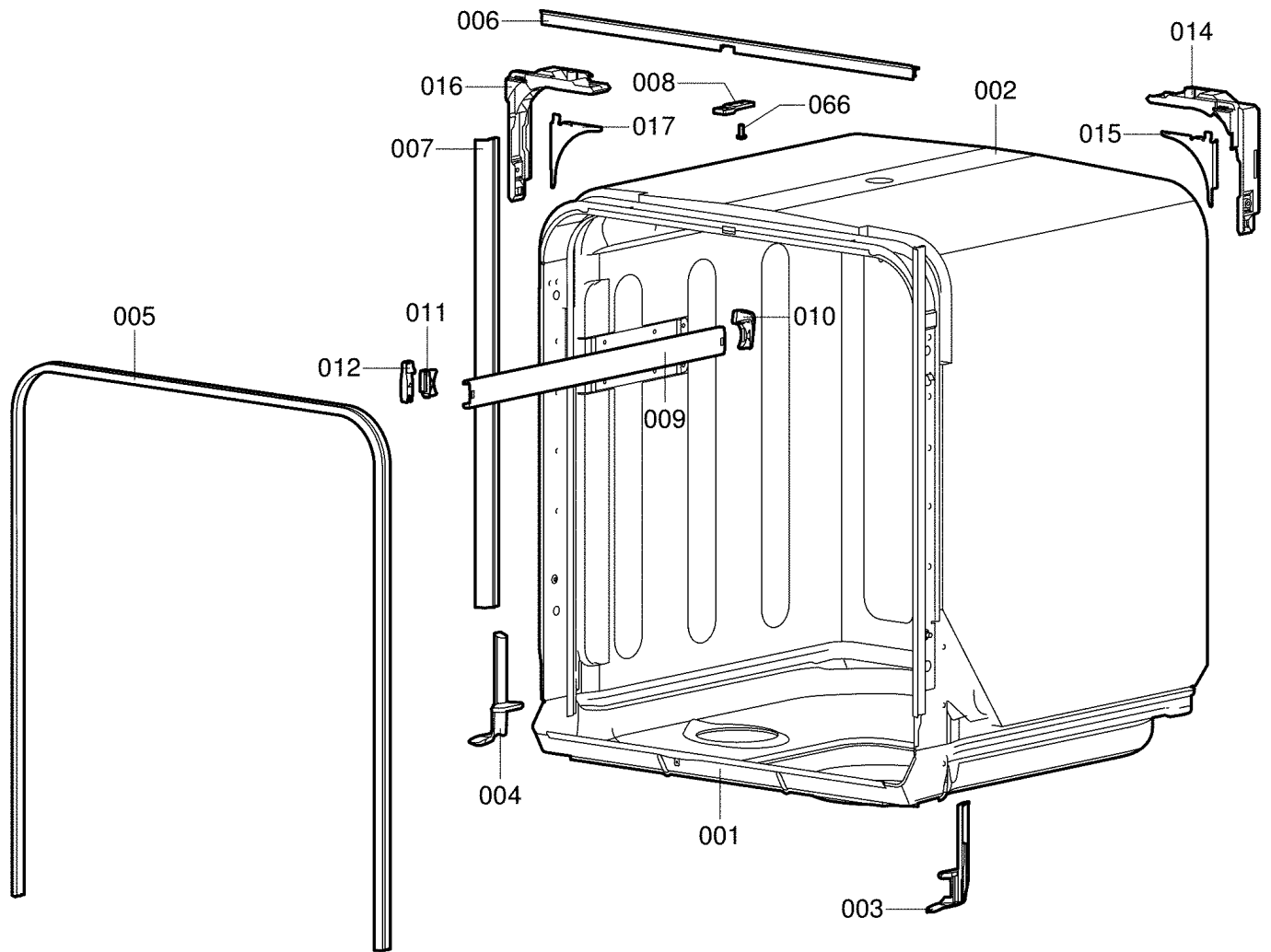


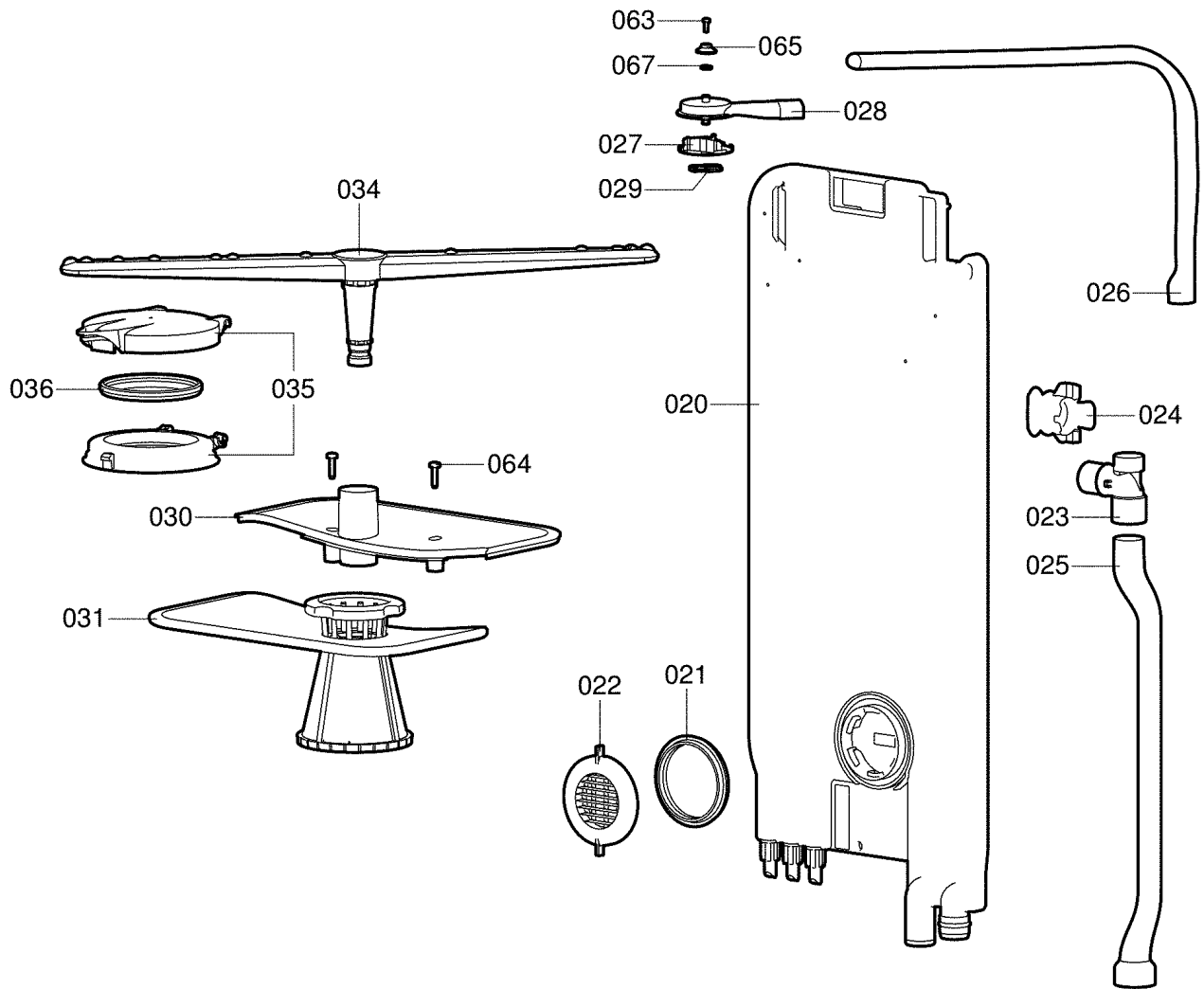
<b>Pos</b>	<b>Part No</b>	<b>Description</b>
001	W85401	Aquastop, CS
	W85402	Aquastop, CS
	W84770	Dual check valves
002	W83152	Drain hose 1.6m Corrugated hose
	W81994	Drain hose 2.7m
	W81995	Drain hose 4m
003	P53566	Power cord with Schuko plug 16A 3x1.5mm <sup>2</sup> 2.2m
	P53567	Power cord BS 13A 3x1.5mm <sup>2</sup> 2.2m
	P53568	Power cord IL 16A, 3+1x1.5mm <sup>2</sup> 2.2m
	P53569	Power cord AU 10A 3x1.0mm <sup>2</sup> 2.2m
	P53591	Power cord CN 16A, 3+1x1.5mm <sup>2</sup> 2.2m
004	W83649	Rear cover to plinth
007	W82930	Base plinth runner
008	W83100	Adjustable plinth
	W83173	Plinth subpanel
009	W83583	Conversion kit
	W84789	Kit for slide plate 60 Special niche
	W82645	Installation set DW60 GP09
011	W82658	door hinge GS Set R/L
013	W83291	Side fastener 60
021	W85102	Panel 60 SL Vi cpl.
023	W82550	Operating Unit SL vi/di
	W82756	Wrng hrns aux cntrl unit
024	W82620	Extension board vi/di
027	W82247	Door lock
034	W82416	Casing for control unit
035	W82640	Display SL vi/di
036	W82874	Casing for LCD module
037	W82881	Housing gap illumination
038	W82610	Side light vi
	W82760	Wrng hrnss gap illuminatn
050	W82417	Button Cap
061	N26700	Hexalb PHD PT screw ST zn-pass 5.0 x 20, KN1038-10.9





<b>Pos</b>	<b>Part No</b>	<b>Description</b>
001	W82972	inside door panel cpl
	W84297	Quick programme guide SL EU cpl. (packed)
	W84298	Quick programme guide SL Global 1 cpl.(packed)
	W84299	Quick programme guide SL Global 2 cpl.(packed)
002	W82366	Outside door panel NR 60
003	W82382	Door seal Transverse seal 60
004	W83091	Rinse Aid Dispenser Aweco
	W81986	Set seals packaged
005	W77657	Angle bracket
006	W83026	Absorption mat door
007	W83886	tube decor panel screw
061	N26677	Hexalb pan PT screw ST 4.0 x 12, WN1451
062	N29653	Hexalb oval head screw A2
063	N26635	Hexalb pan head PT screw A2 3.5 x 16, T15, KN 1039
065	P12012	Clip nut
066	N26634	Hexalb pan head PT screw A2 T15, 3.5 x 23, KN 1039
067	N26702	Hexalb CTSK PT screw A2 4.0 x 27, T15, KN1041





**V-ZUG Ltd**

Industriestrasse 66, P.O. Box 59, 6301 Zug  
Switzerland, Phone +41 58 767 67 78  
service-support@vzug.com, www.vzug.com

**Spare parts list****Modell 239-EXP****S0000659-1**

created 11.04.2012 JNl  
changed 16.03.2016  
checked

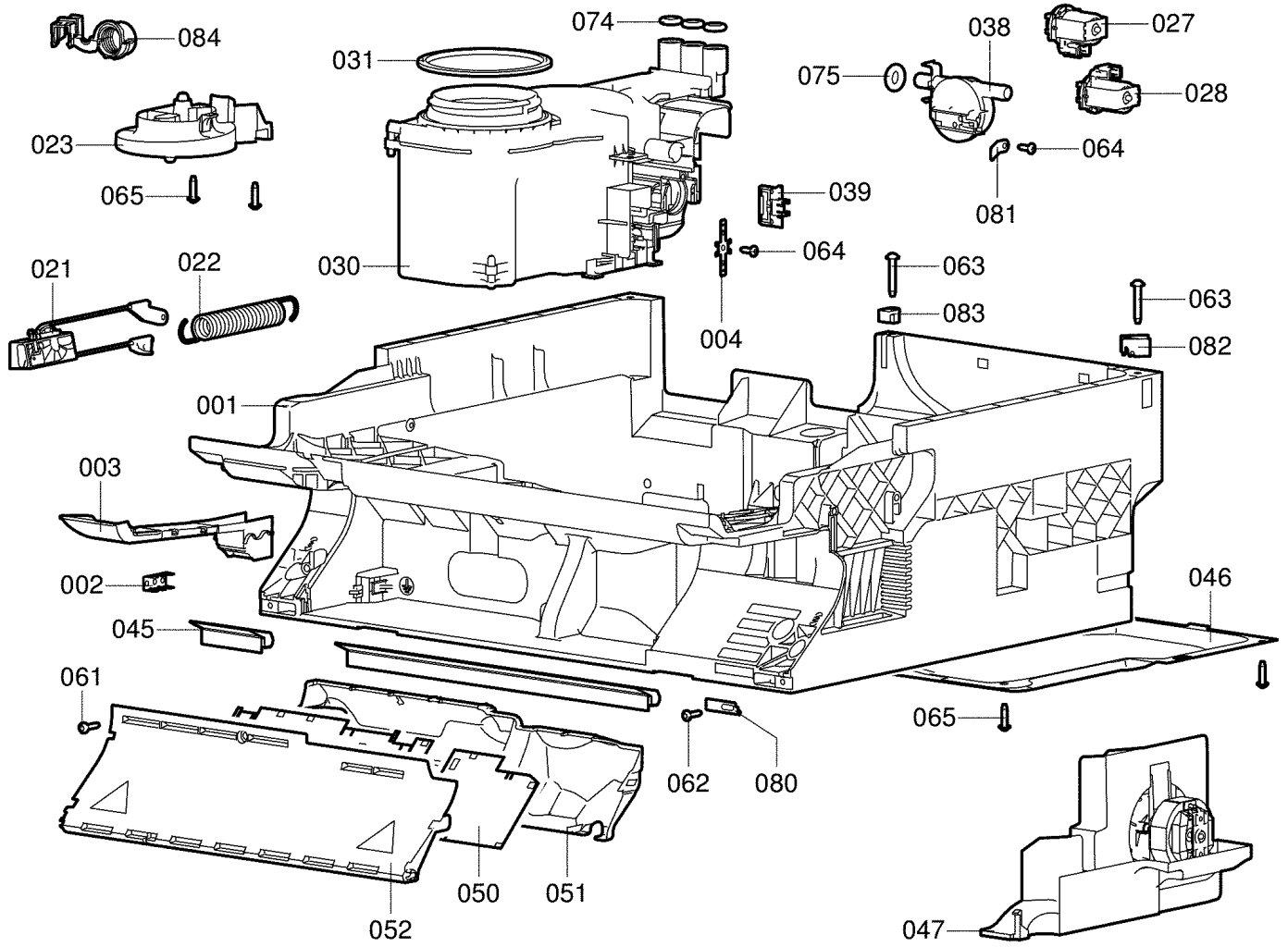
8 / 19

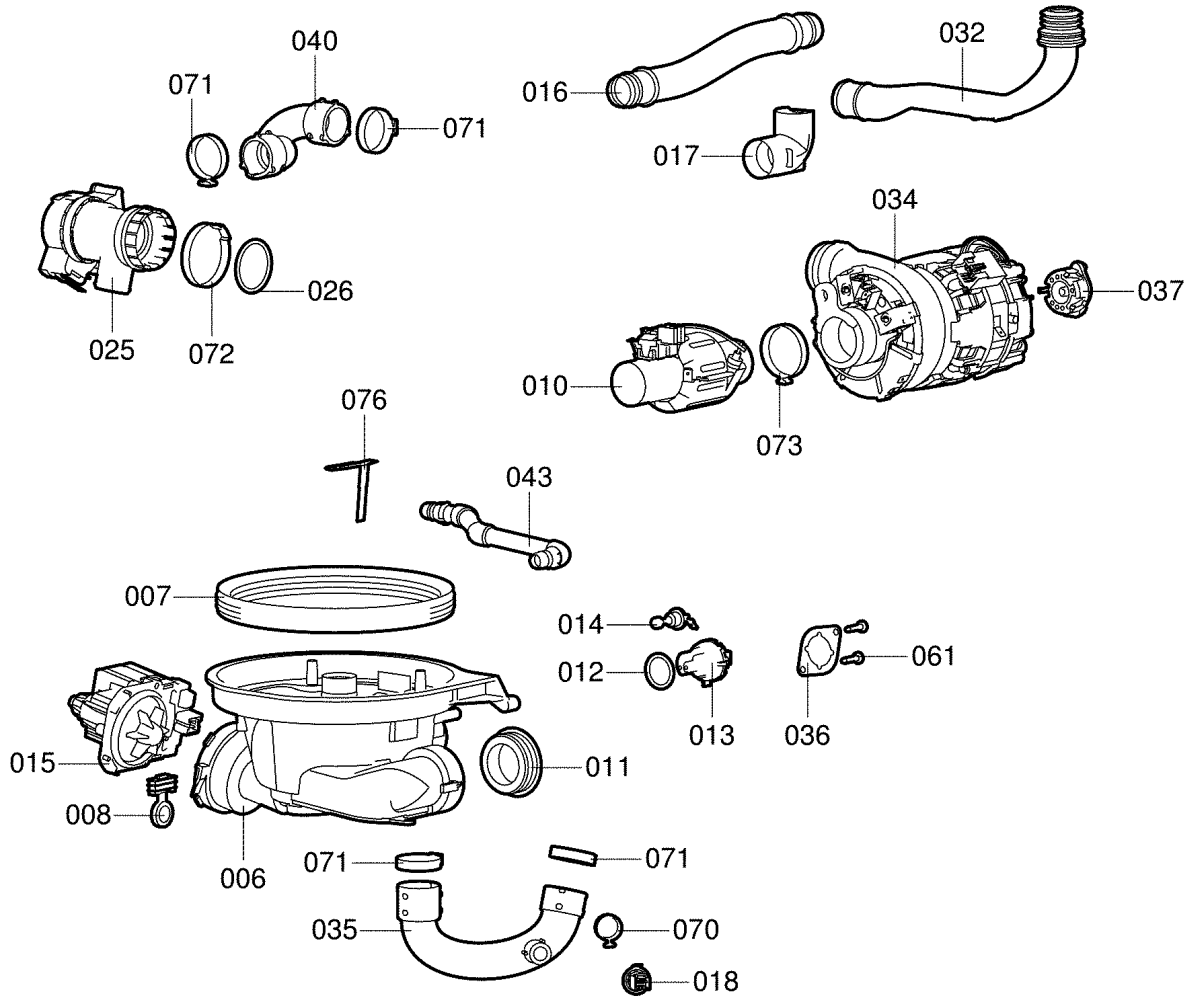






<b>Pos</b>	<b>Part No</b>	<b>Description</b>
001	W82302	Tub, complete
002	W83107	Isolation Absorption mat 60 NR
003	W83063	Bridge for rail right
004	W83078	Bridge for rail left
005	W83414	Door seal 60 Normal
006	W83334	upper cover profile 60
007	W83465	side cover profile 60
008	W82395	Door catch hook
009	W82352	Basket rail
	W82354	Tub roller
010	W82927	Basket guide basket stop behind
011	W83884	fastener basket stopper
012	W83885	basket stopper
014	W83296	tub corner 60 right
015	W82092	tub corner cover
016	W83297	tub corner 60 left
017	W82093	tub corner cover
020	W82203	air break
021	W83929	gasket
022	W83674	cap
023	W83223	water coupling
024	W83268	seal for water coupling
025	W83252	lower feed pipe
026	W83255	Upper Feedpipe
027	W83337	spraying wheel
028	W83338	housing
029	W83336	fixing clamp
030	W82297	Lower spray arm bracket
031	W83131	Filter pre-assembled
034	W82128	Complete lower spray arm
035	W82469	salt cover pre-assembled
036	W83450	salt cover gasket
063	N26694	Hexalb PT screw zn-passiv
064	N26629	Hexalb pan head PT screw A2 4.0 x 16, WN1452
065	W83659	spacer top shower
066	N18101	Hexalb. PHD screw A2
067	P35047	quad-ring





**V-ZUG Ltd**

Industriestrasse 66, P.O. Box 59, 6301 Zug  
Switzerland, Phone +41 58 767 67 78  
service-support@vzug.com, www.vzug.com

**Spare parts list**  
**Base GS 60 SL vi, Export****Modell 239-EXP****S0000826-R02**

created 17.12.2015 JNl  
changed 17.03.2016  
checked

12 / 19

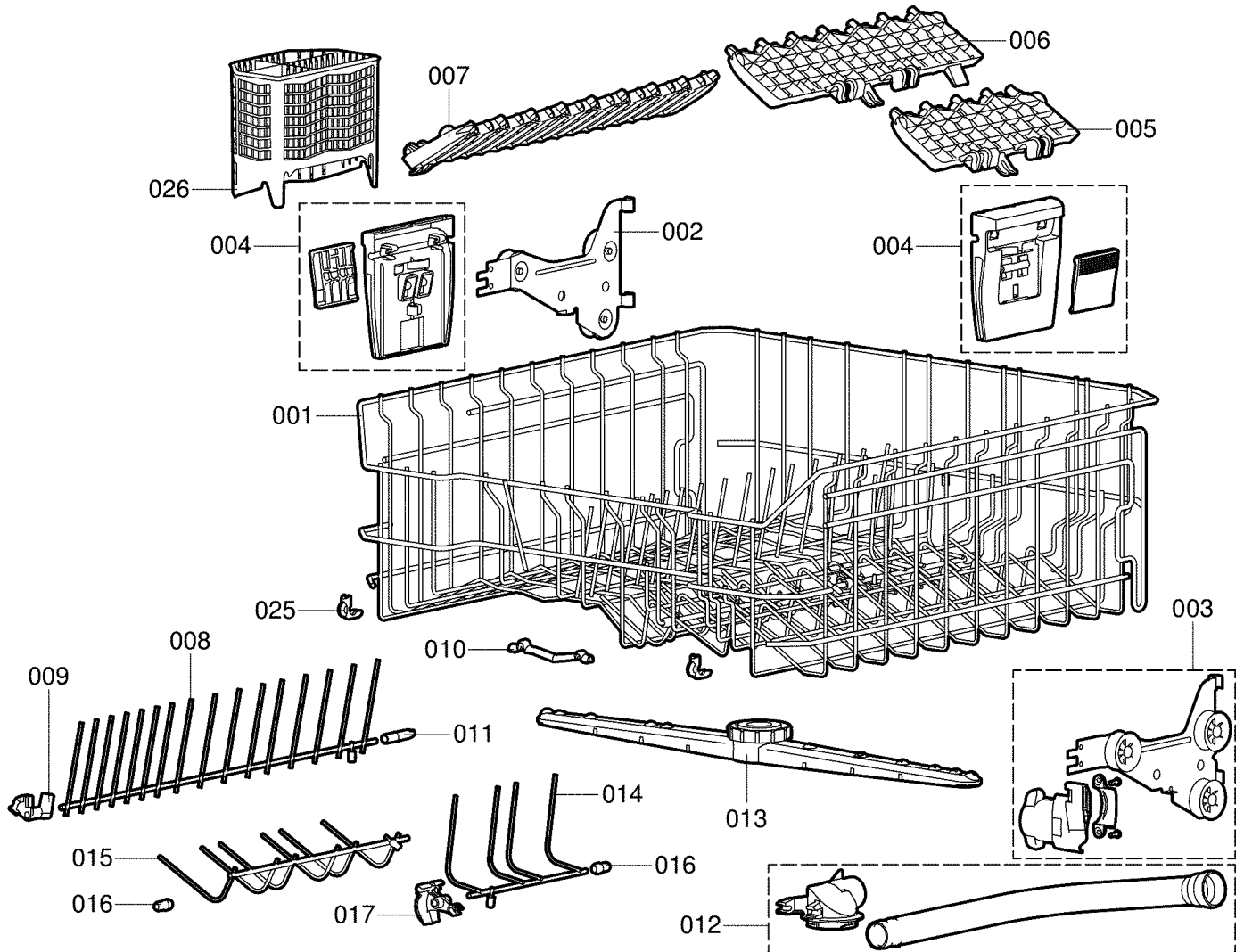


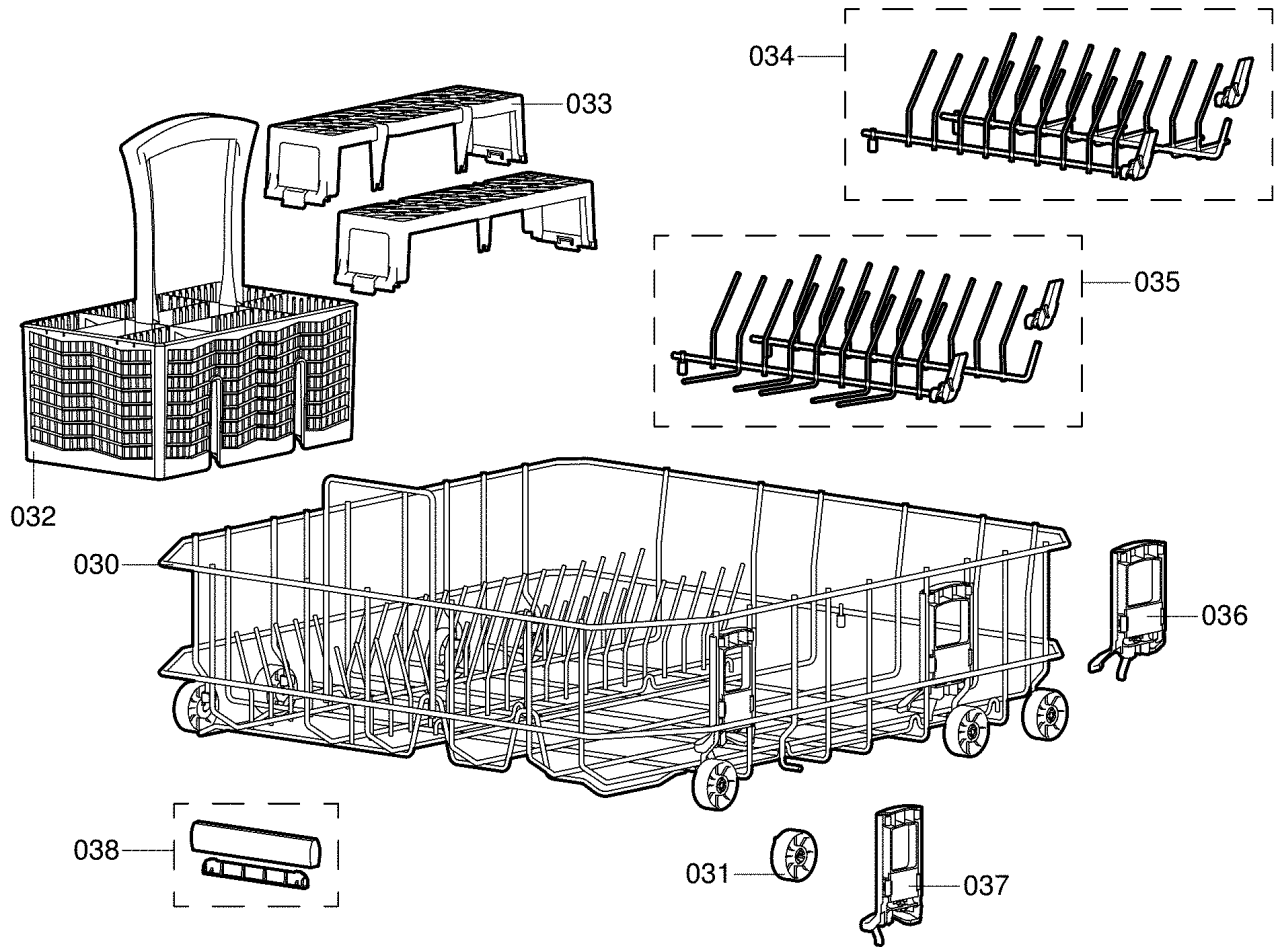


<b>Pos</b>	<b>Part No</b>	<b>Description</b>
001	W82167	Plinth 60
	W84484	Sealing strips
003	W82487	Cable routing
004	W81315	Contact stud
006	W83217	sump
007	W82371	sump gasket
008	W82296	membrane to drain pump
010	W83184	heater 1100W
011	W83608	seal flow heater
012	P35042	O-ring
013	P59077	Temp. sensor NTC 10kOhm w ith turbidity sensor
014	W71020	Null detection pin, cpl.
015	W83460	Drain pump
016	W82940	hose sump - RDG
017	W82994	adapter
018	P59110	Temp. sensor NTC 100k ohm
021	W83879	tension pulley cpl.
022	W82171	tension spring d2.8
	W84603	set tension spring strong standard height
	W84604	set tension spring strong extra height
023	W83648	water diverter holder
025	W83222	diverter complete
026	W83395	O-ring pump clip
027	W83928	mixing valve
028	W83113	regeneration valve
030	W82187	Water softener cpl. type SL
	W82746	Wrng harnss Base cpl SLvi 235,237,239,261
031	W83448	gasket
032	W82956	angled pipe
034	1011366	Heat pump SL-CS with coatet heatingground
	W83205	Heat pump and heating SL preassambled for new sump
035	W83501	pressure hose model SL
036	W83218	Fixing plate
037	W83478	Engine support BIRO
038	W83110	water meter
039	W83126	circuit board swimmer
040	W83500	pressure hose
043	W82941	hose SHB - sump
045	W82343	water deflector short
	W82344	water deflector long
046	W82168	Cover sheet plate für Service
047	1017748	Customer Services set drying fan assembled with connecting adapter
050	W825802	Processor SL CS version export
	W825803	Processor SL CS version Australia
	W82748	Wrng harnss Door cpl SLvi 235,237,239,261
	W88501	Cable cover

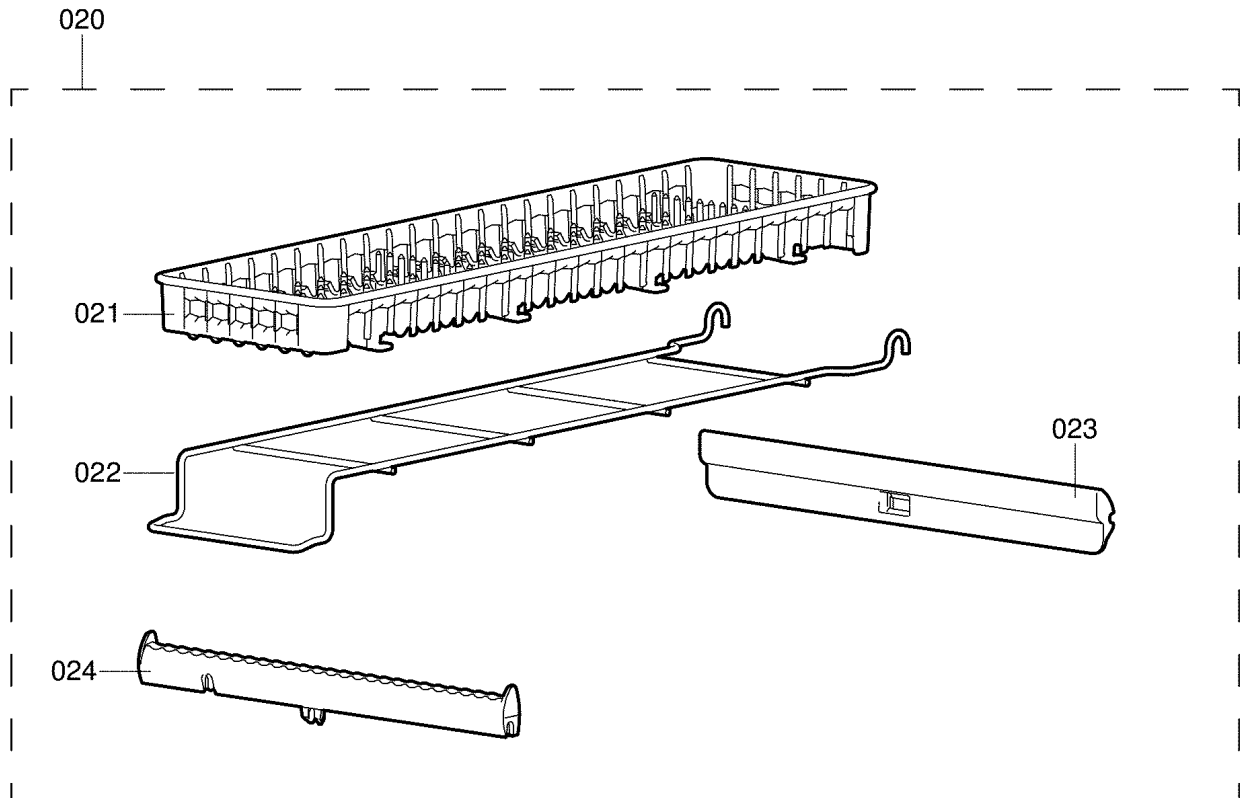


<b>Pos</b>	<b>Part No</b>	<b>Description</b>
	W82786	Wrng hrnss, heat pump, SL
	W82708	Sing. conn. water divertr
	W82806	Sing. ctn. Earth E1 steam
051	W82179	computer case
052	W82180	computer case cover
061	N26629	Hexalb pan head PT screw A2 4.0 x 16, WN1452
062	N26684	Hexalb pan PT screw 4.0 x 16, WN1451
063	N26705	Hexalb PHD PT screw ST zn-pass 5.0 x 30, KN1038-10.9
064	N26683	Hexalb pan PT screw A2
065	N26700	Hexalb PHD PT screw ST zn-pass 5.0 x 20, KN1038-10.9
070	P30028	Single-eye clamp
071	P30085	Single-eye clamp A2
072	P30003	Stepless single-eye clamp 42.6 - 46.0, Oet.12300681
	P30084	Ear clamp A2
073	P30060	Hose clamp
074	P35037	O-ring 50 Shore
075	P35040	O-ring 50 Shore
076	W83216	Earthing sheet
080	W83172	Plinth bar
081	W83455	fixing plate
082	W82160	claw fastener
083	W83671	claw fastener middle
084	W83348	Aqua-stop holder Bitron









**V-ZUG Ltd**

Industriestrasse 66, P.O. Box 59, 6301 Zug  
Switzerland, Phone +41 58 767 67 78  
service-support@vzug.com, www.vzug.com

**Spare parts list****Basket upper / lower, GS 60 SL****Modell 239-EXP****S0000611-R01**

created 02.10.2015 JNl  
changed 02.10.2015  
checked

18 / 19





<b>Pos</b>	<b>Part No</b>	<b>Description</b>
001	W82222	Upper basket 60S prefab.
	W83899	Set of 4 easy prongs
002	W83066	Basket support, lft, cpl.
003	W84312	Basket support right
004	W84316	Height adjst plate/button
005	W83279	Rack 2 Cups hydrophilic
006	W83278	Rack 3 Cups hydrophilic
007	W83280	Rack 4 Cups hydrophilic
008	W82966	Upper fold-down tines
009	W82967	Stop position bearing
010	W83170	intermediate bearing
011	W83147	Bearing
012	W84320	Water conduit, upper bkt
013	W83604	upper spray arm
014	W82499	Glass support
015	W82948	Front glass support
016	W82968	Bearing
017	W82872	Clicking bearing
017	W85209	Clicking bearing prefab.
020	W83586	Vario cutlery bkt insert set
021	W82965	Cutlery support
022	W82964	Chassis for flat ware
023	W82962	Slip rail for flat ware
024	W82961	Handle for upper basket
025	W84315	Basket buffer (2x)
026	W83097	Small cutlery basket
030	W82374	Lower basket 60S prefab.
031	W84360	Lower basket rollers
	W82914	Lwr basket roller prefab.
032	W83283	Cutlery basket prefab.
033	W83281	Cutlery basket grid
034	W84369	Fold-down tines bck, cpl
035	W84368	Fold-down tines frnt, cpl
036	W84318	Button, fld-dn tines frnt
037	W84319	Button, fld-dwn tines bck
038	W84317	Lower basket handle